

US00D897273S

(12) **United States Design Patent**
Chen et al.

(10) **Patent No.:** **US D897,273 S**
(45) **Date of Patent:** **** Sep. 29, 2020**

(54) **TIRE TREAD**

(71) Applicant: **American Omni Trading Company, LLC, Katy, TX (US)**

(72) Inventors: **Buo Chen, Houston, TX (US); Huakao Dang, Qingdao (CN)**

(73) Assignee: **American Omni Trading Company, LLC, Katy, TX (US)**

(**) Term: **15 Years**

(21) Appl. No.: **29/658,527**

(22) Filed: **Jul. 31, 2018**

(51) **LOC (12) Cl.** **12-15**

(52) **U.S. Cl.**
USPC **D12/594**

(58) **Field of Classification Search**
USPC D12/579, 592, 593, 594, 596, 597, 600, D12/601, 602, 603
CPC B60C 11/01; B60C 11/11
See application file for complete search history.

(56) **References Cited**

U.S. PATENT DOCUMENTS

D603,788 S	*	11/2009	Lundgren	D12/602
D642,512 S	*	8/2011	Jacobs	D12/600
D729,155 S	*	5/2015	Jacobs	D12/600
D730,272 S	*	5/2015	Fleckner	D12/580

D731,404 S	*	6/2015	Jacobs	D12/580
D760,155 S	*	6/2016	Fontaine	D12/601
D773,385 S	*	12/2016	Kuwano	D12/579
D773,980 S	*	12/2016	Takahashi	D12/579
D780,096 S	*	2/2017	Wu	D12/600
D799,410 S	*	10/2017	Sato	D12/600
D818,426 S	*	5/2018	Kuwano	D12/600

* cited by examiner

Primary Examiner — Robert M. Spear

(74) *Attorney, Agent, or Firm* — Chamberlain Hrdlicka

(57) **CLAIM**

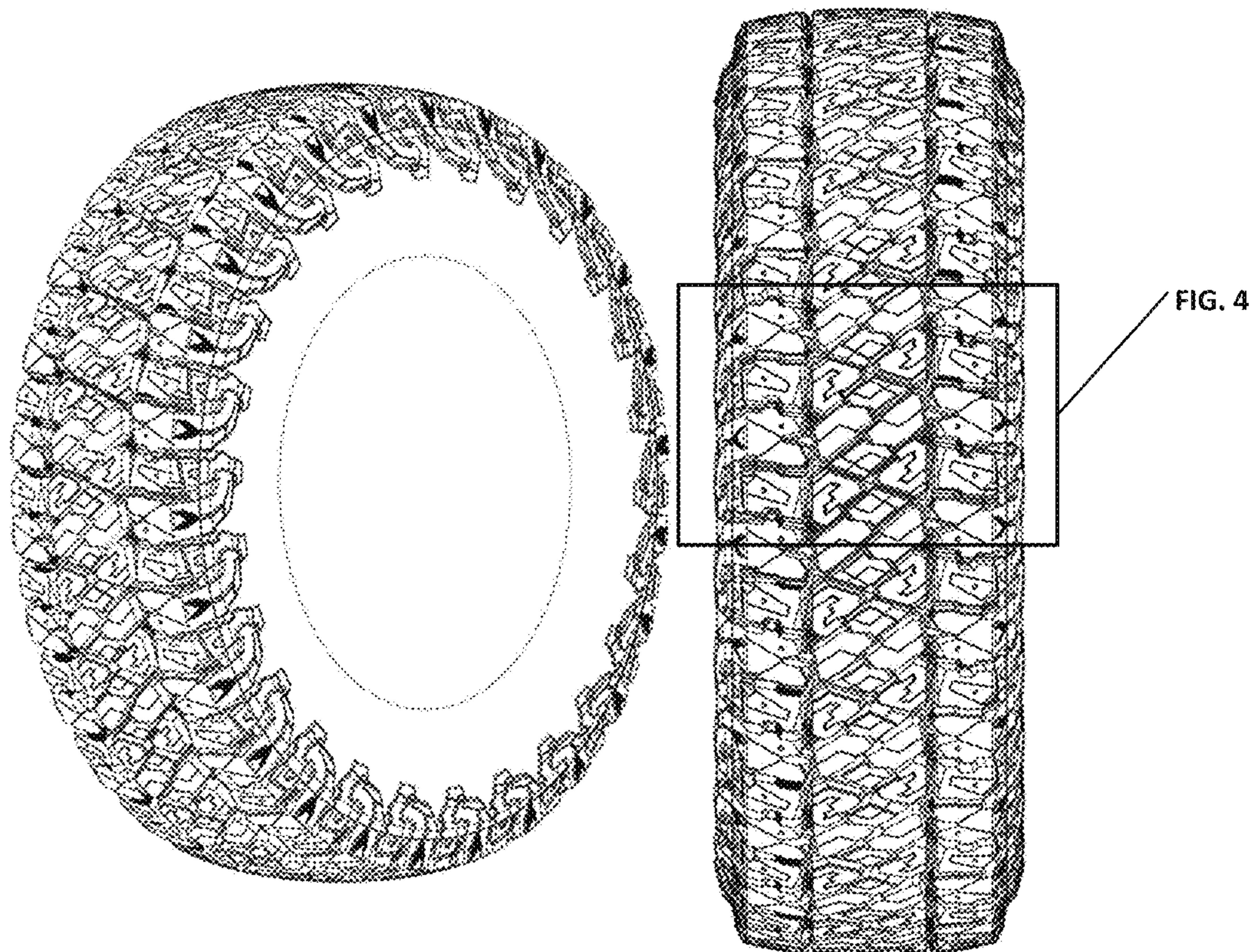
The ornamental design for a tire tread, as shown and described.

DESCRIPTION

FIG. 1 is a perspective view of tire tread in accordance with the present disclosure;
FIG. 2 is a front view thereof;
FIG. 3 is a side view thereof;
FIG. 4 is an enlarged view of a portion of FIG. 2;
FIG. 5 is an enlarged perspective view of a portion of FIG. 4;
FIG. 6 is an enlarged perspective view of a portion of FIGS. 4; and,
FIG. 7 is an enlarged perspective view of a portion of FIG. 4.

It should be understood that the pattern repeats uniformly throughout the circumference of the tread. The lines defining the sidewall, inner bead, and the peripheral boundary between the tire tread and the sidewall depict environmental subject matter only and form no part of the claimed design.

1 Claim, 5 Drawing Sheets



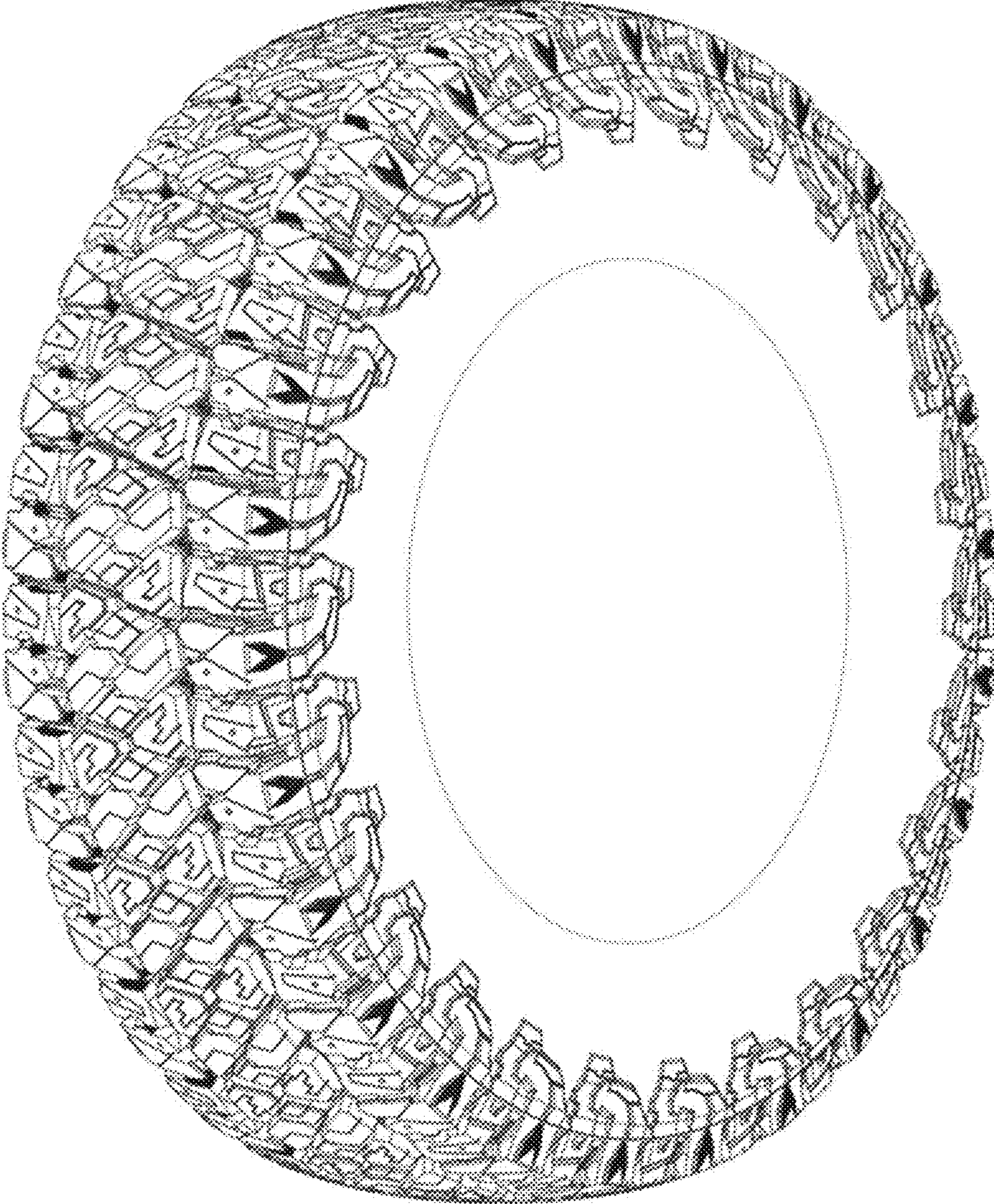


FIG. 1

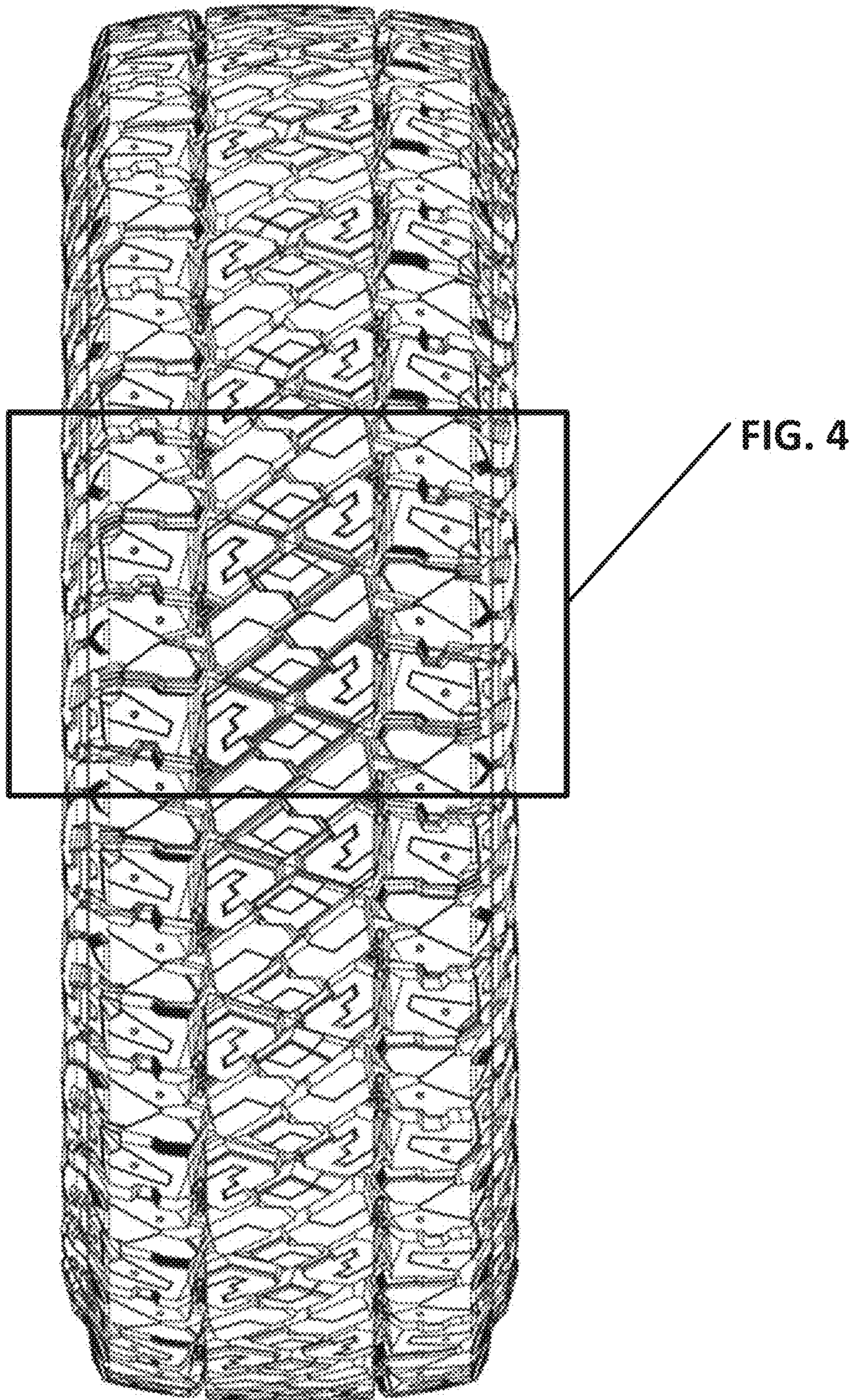


FIG. 2

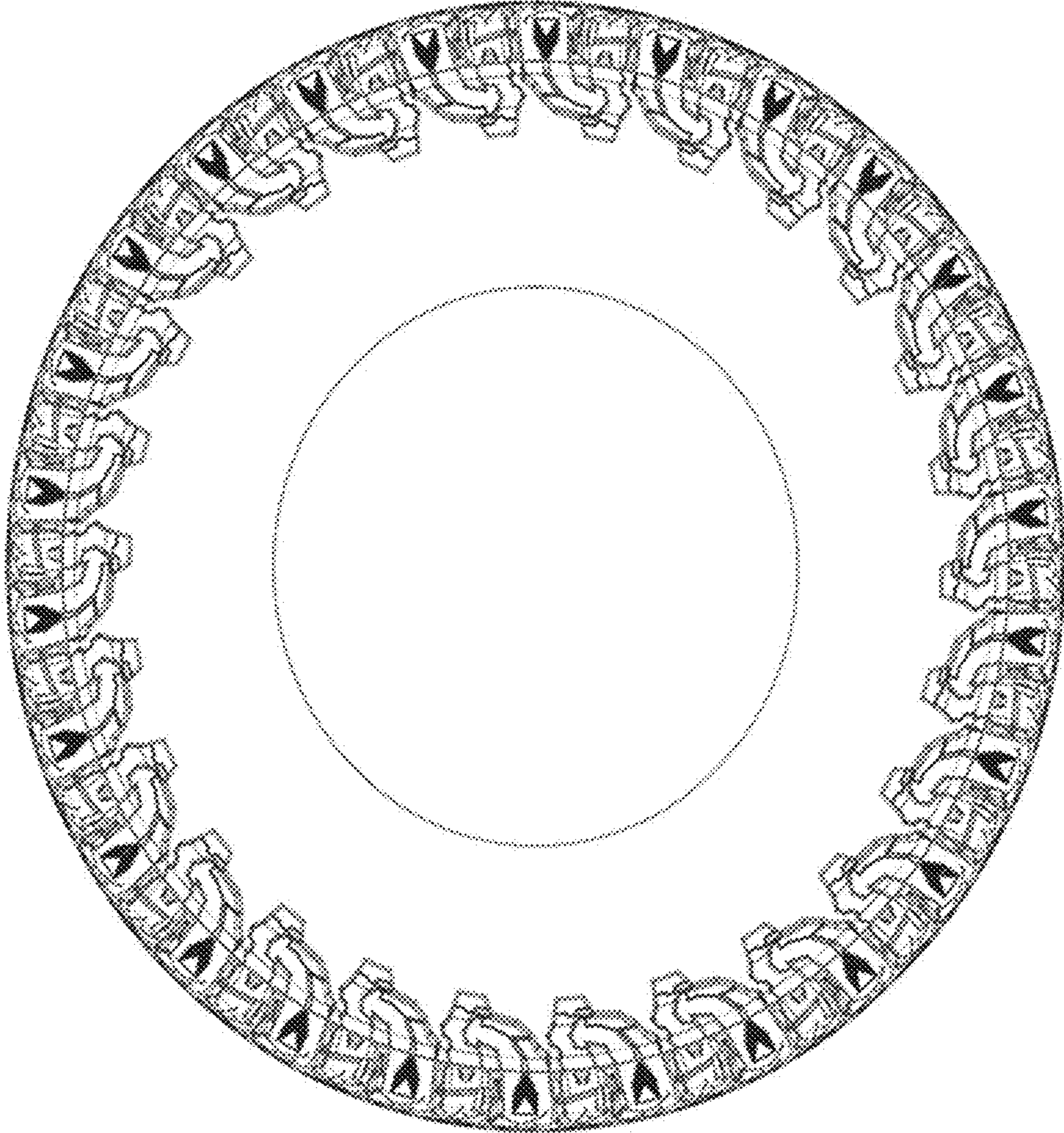


FIG. 3

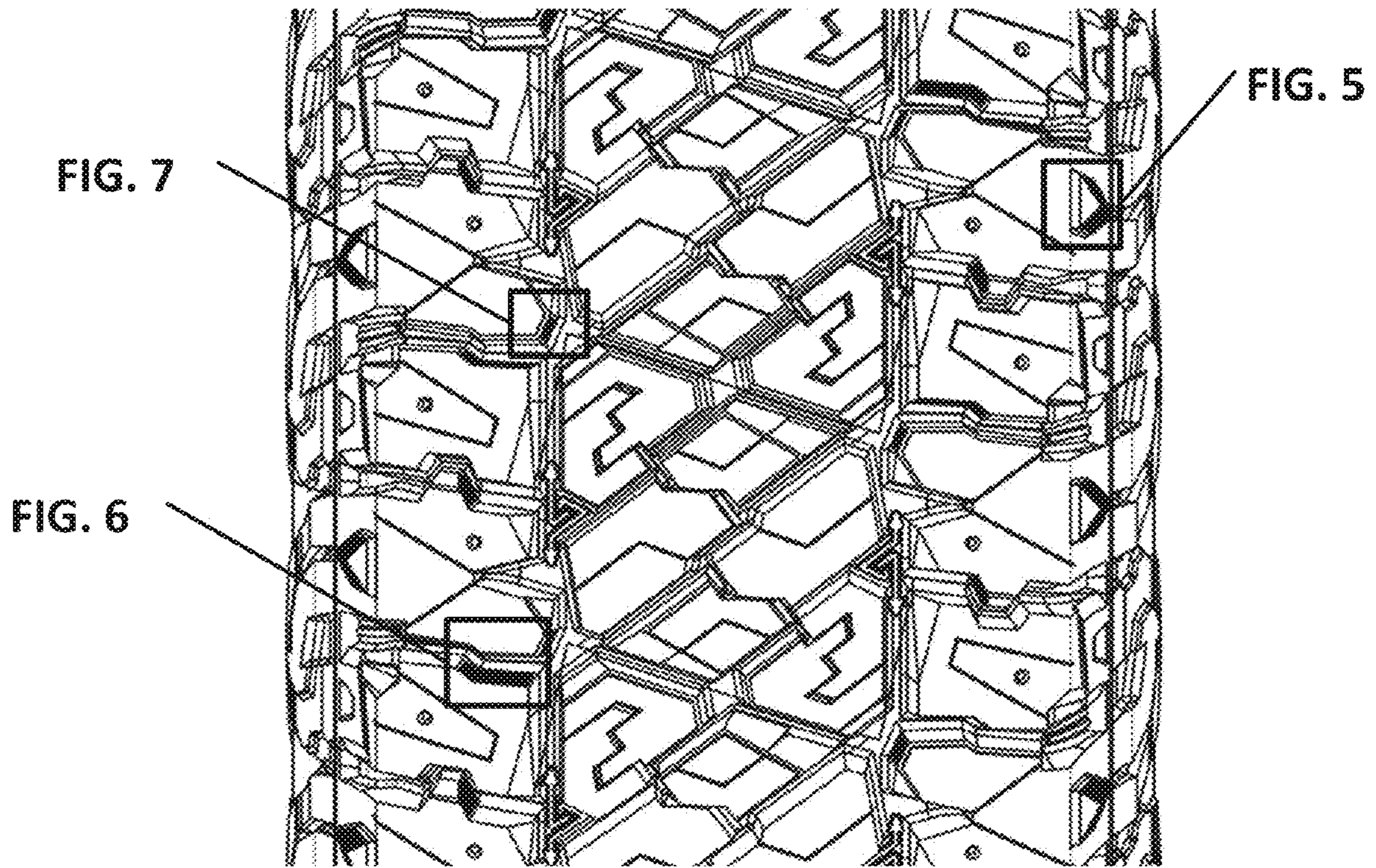


FIG. 4

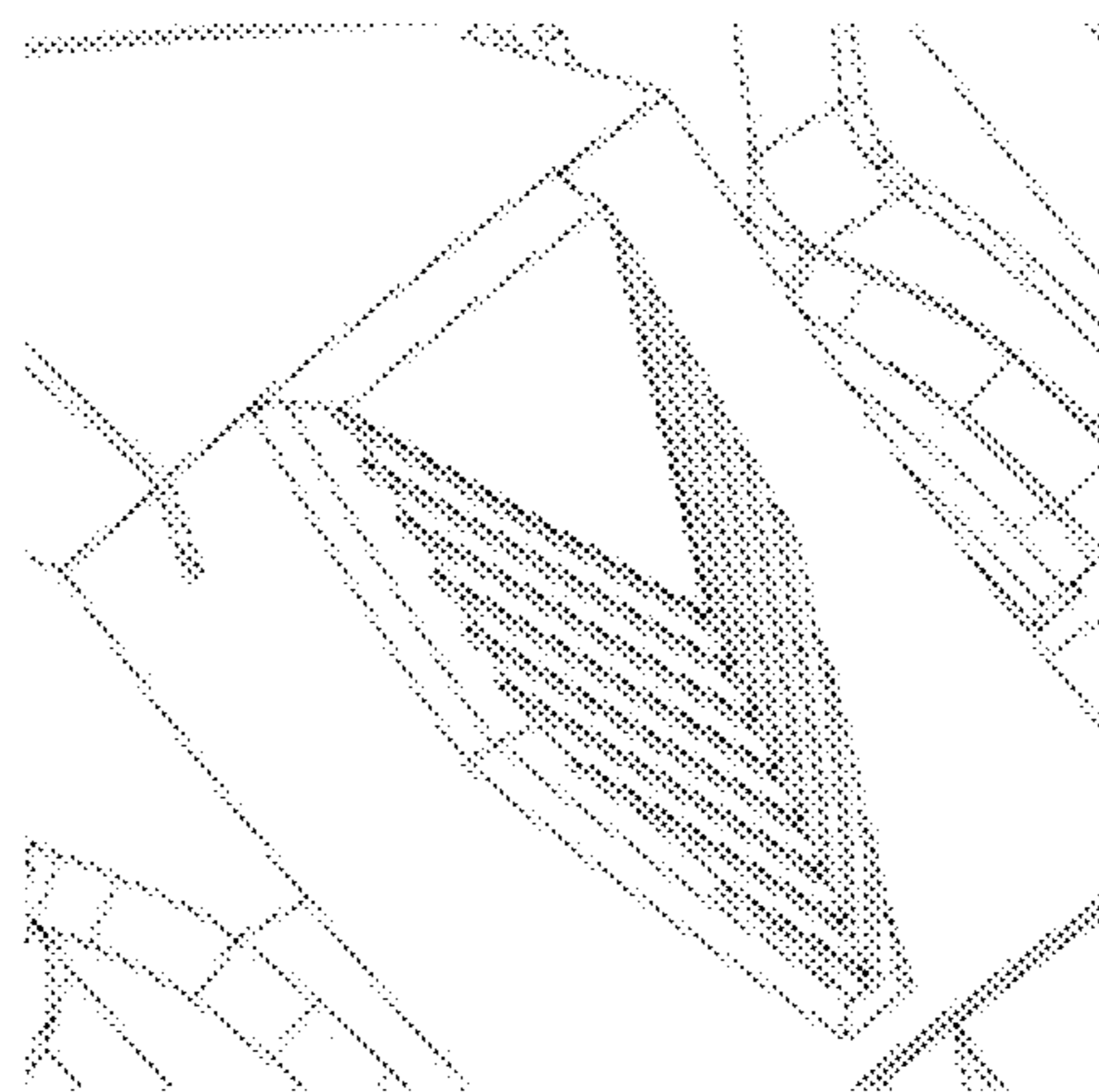


FIG. 5

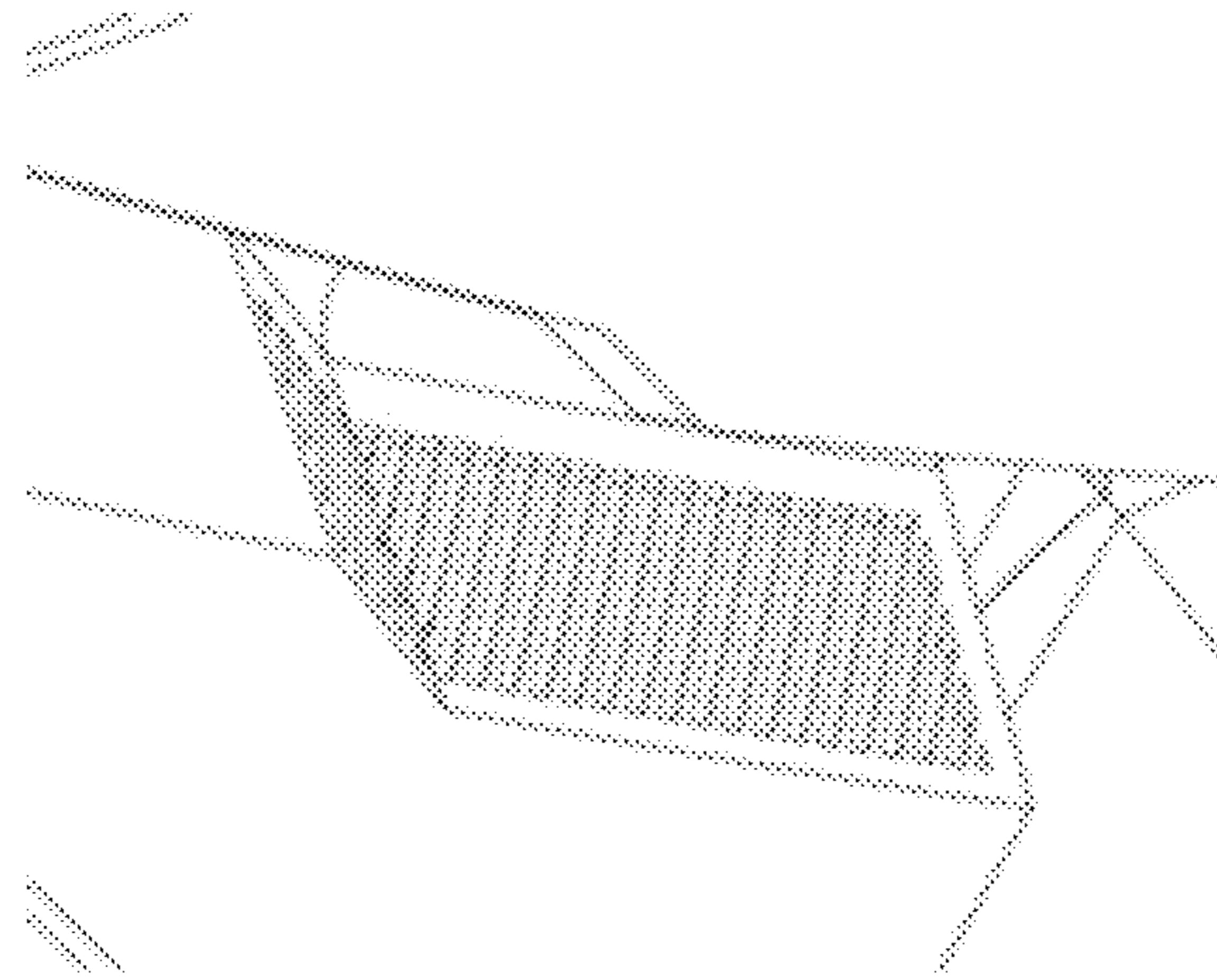


FIG. 6

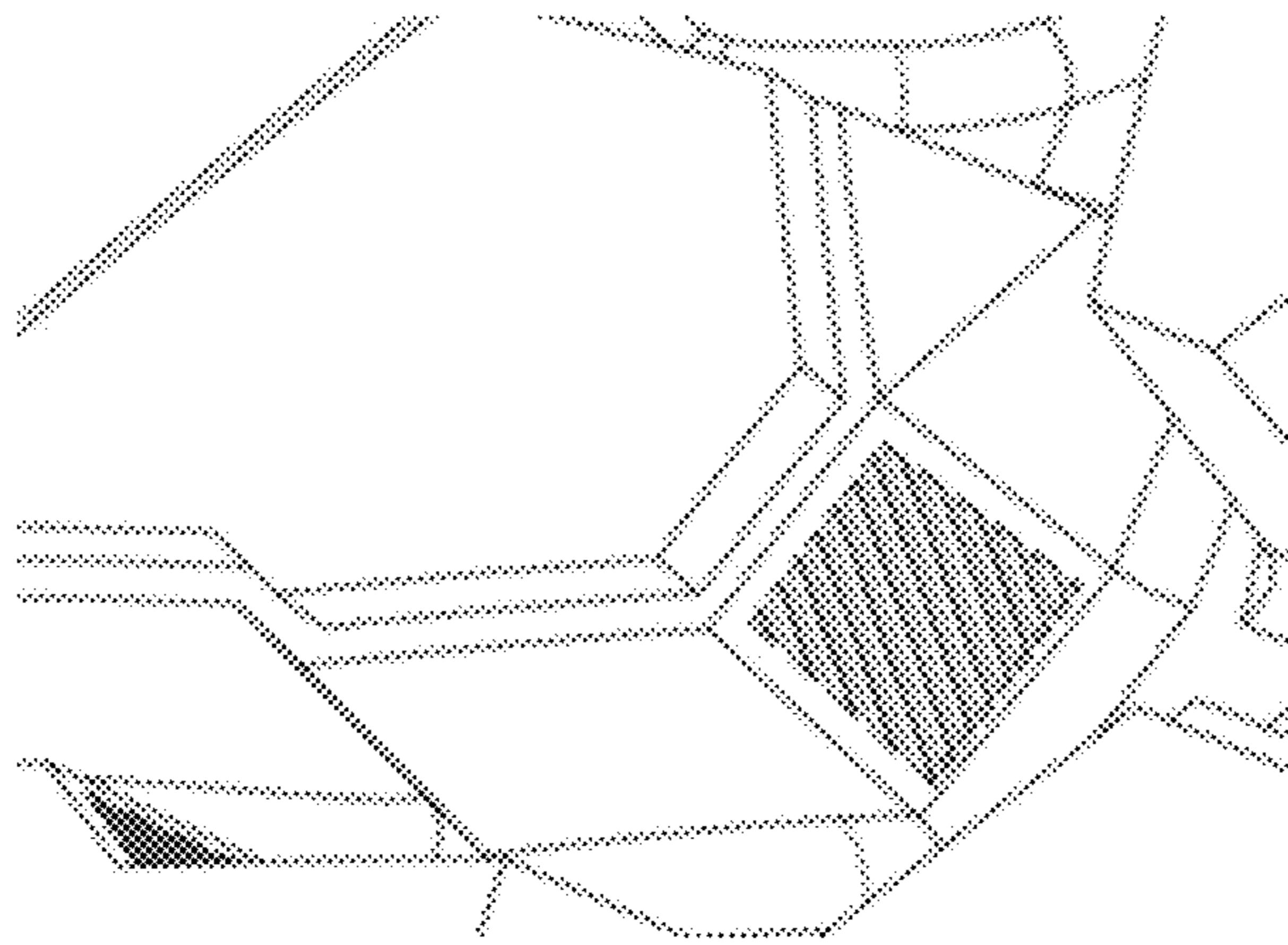


FIG. 7