



US00D897271S

(12) **United States Design Patent**
Shikano

(10) **Patent No.:** **US D897,271 S**

(45) **Date of Patent:** **** Sep. 29, 2020**

(54) **CONSOLE FOR AN AUTOMOBILE**

(71) Applicant: **HONDA MOTOR CO., LTD.**, Tokyo
(JP)

(72) Inventor: **Naoto Shikano**, Wako (JP)

(73) Assignee: **HONDA MOTOR CO., LTD.**, Tokyo
(JP)

(**) Term: **15 Years**

(21) Appl. No.: **29/690,988**

(22) Filed: **May 13, 2019**

(30) **Foreign Application Priority Data**

Nov. 15, 2018 (JP) 2018-024932

(51) **LOC (12) Cl.** **12-16**

(52) **U.S. Cl.**
USPC **D12/415**

(58) **Field of Classification Search**
USPC D12/415-420, 400, 195, 191, 106, 345,
D12/96, 99; D21/421; D7/619.1-625,
D7/701

CPC B60R 7/04; B60R 7/06; B60R 7/08; B60N
2/46

See application file for complete search history.

(56) **References Cited**

U.S. PATENT DOCUMENTS

D359,266 S * 6/1995 Karp D12/419
D522,957 S * 6/2006 Miyashita D12/415
D538,737 S * 3/2007 Scully D12/421
D539,714 S * 4/2007 Toyama D12/192
D568,232 S * 5/2008 Motozaki D12/421
D711,810 S * 8/2014 Matsuo D12/424
D711,811 S * 8/2014 Maruyama D12/424
D718,218 S * 11/2014 Tanaka D12/424
D724,521 S * 3/2015 Ashley D12/419
D725,583 S * 3/2015 Seki D12/419

D766,811 S * 9/2016 Shouno D12/419
D766,812 S * 9/2016 Kabata D12/423
D781,210 S * 3/2017 Itou D12/419
D788,020 S * 5/2017 Yaguchi D12/415
D808,330 S * 1/2018 Kuwahara D12/419
D808,873 S * 1/2018 Joyce D12/192
D824,306 S * 7/2018 Joyce D12/192
D824,838 S * 8/2018 Takamura D12/419
D826,813 S * 8/2018 Carr D12/192

(Continued)

OTHER PUBLICATIONS

97 98 99 00 01 Honda Prelude OEM Center Console—M/T,
Autopartone.com, [online], [site visited May 28, 2020]. <URL:
<https://www.autopartone.com/products/97-98-99-00-01-honda-prelude-oem-center-console-m-t>> (Year: 2020).*

(Continued)

Primary Examiner — T Chase Nelson

Assistant Examiner — Jonathan J. Han

(74) *Attorney, Agent, or Firm* — Westerman, Hattori,
Daniels & Adrian, LLP

(57) **CLAIM**

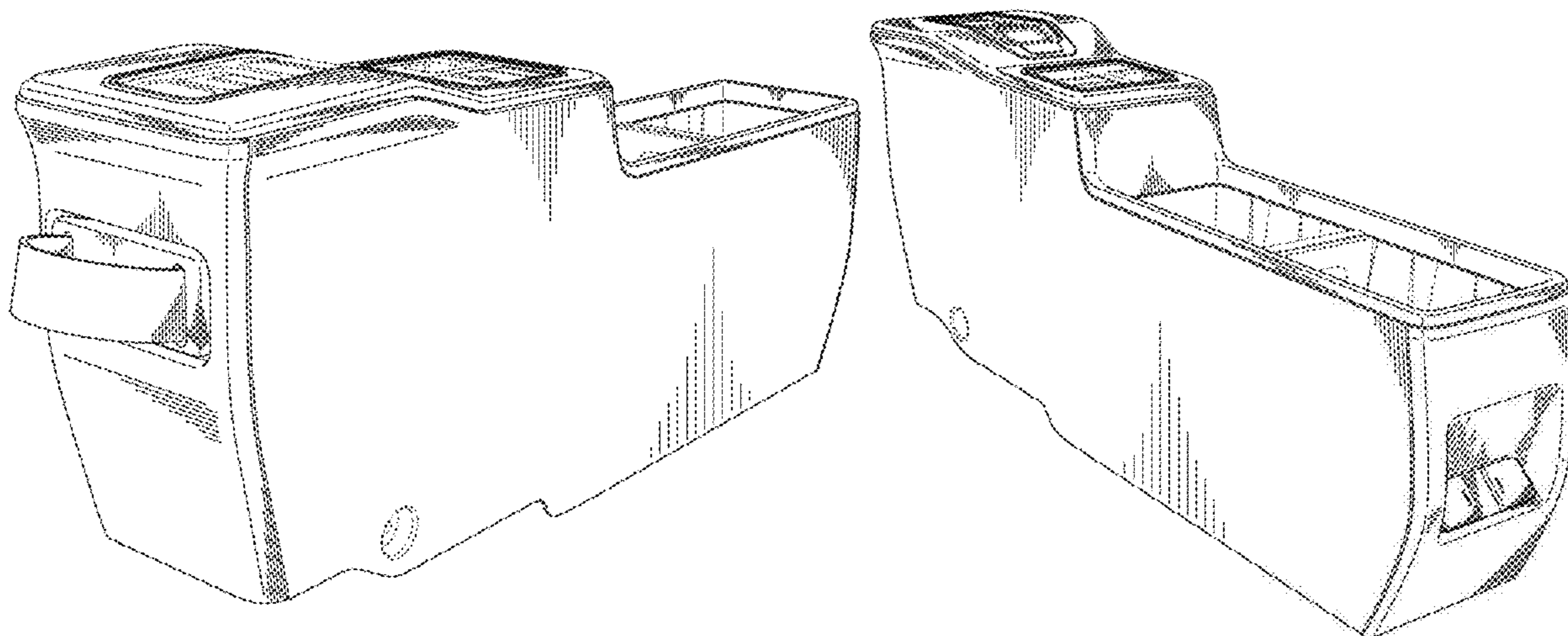
The ornamental design for a console for an automobile, as
shown and described.

DESCRIPTION

FIG. 1 is a left front side perspective view of a console for
an automobile, showing my new design;
FIG. 2 is a right front side perspective view thereof;
FIG. 3 is a front view thereof;
FIG. 4 is a rear view thereof;
FIG. 5 is a left side view thereof;
FIG. 6 is a right side view thereof; and,
FIG. 7 is a top plan view thereof.

The broken lines shown in the drawings illustrate portions of
the console for an automobile that are environmental struc-
tures and form no part of the claimed design.

1 Claim, 7 Drawing Sheets



(56)

References Cited

U.S. PATENT DOCUMENTS

D827,549	S	*	9/2018	Igarashi	D12/419
D836,059	S	*	12/2018	Takagi	D12/415
D836,060	S	*	12/2018	Takagi	D12/415
D847,054	S	*	4/2019	Yamada	D12/192
D856,263	S	*	8/2019	Ohtake	D12/415
D857,611	S	*	8/2019	Igarashi	D12/415
D863,162	S	*	10/2019	Schneider	D12/192
D864,066	S	*	10/2019	Ray	D12/192
D869,380	S	*	12/2019	Kabata	D12/415
D872,683	S	*	1/2020	Motozaki	D12/415
D877,691	S	*	3/2020	Mistiuk	D12/415
D880,402	S	*	4/2020	Ray	D12/415

OTHER PUBLICATIONS

1998 Honda Prelude Center Console—See Details, PartsBeast.com, [online], [site visited May 28, 2020]. <URL: <https://partsbeast.com/Honda/Prelude-Parts/Center-Console/302191>> (Year: 2020).*

Toyota Camry, ConsoleVault.com, [online], [site visited May 28, 2020]. <URL: https://www.consolevault.com/Toyota-Camry-2012--2016_p_102.html> (Year: 2020).*

Rear Jeep—Wrangler JK Center Consoles, Morris4x4Center.com, [online], [site visited May 28, 2020]. <URL: https://www.morris4x4center.com/interior/center-consoles/center-consoles/jeep_wrangler_jk--rear.htm> (Year: 2020).*

* cited by examiner

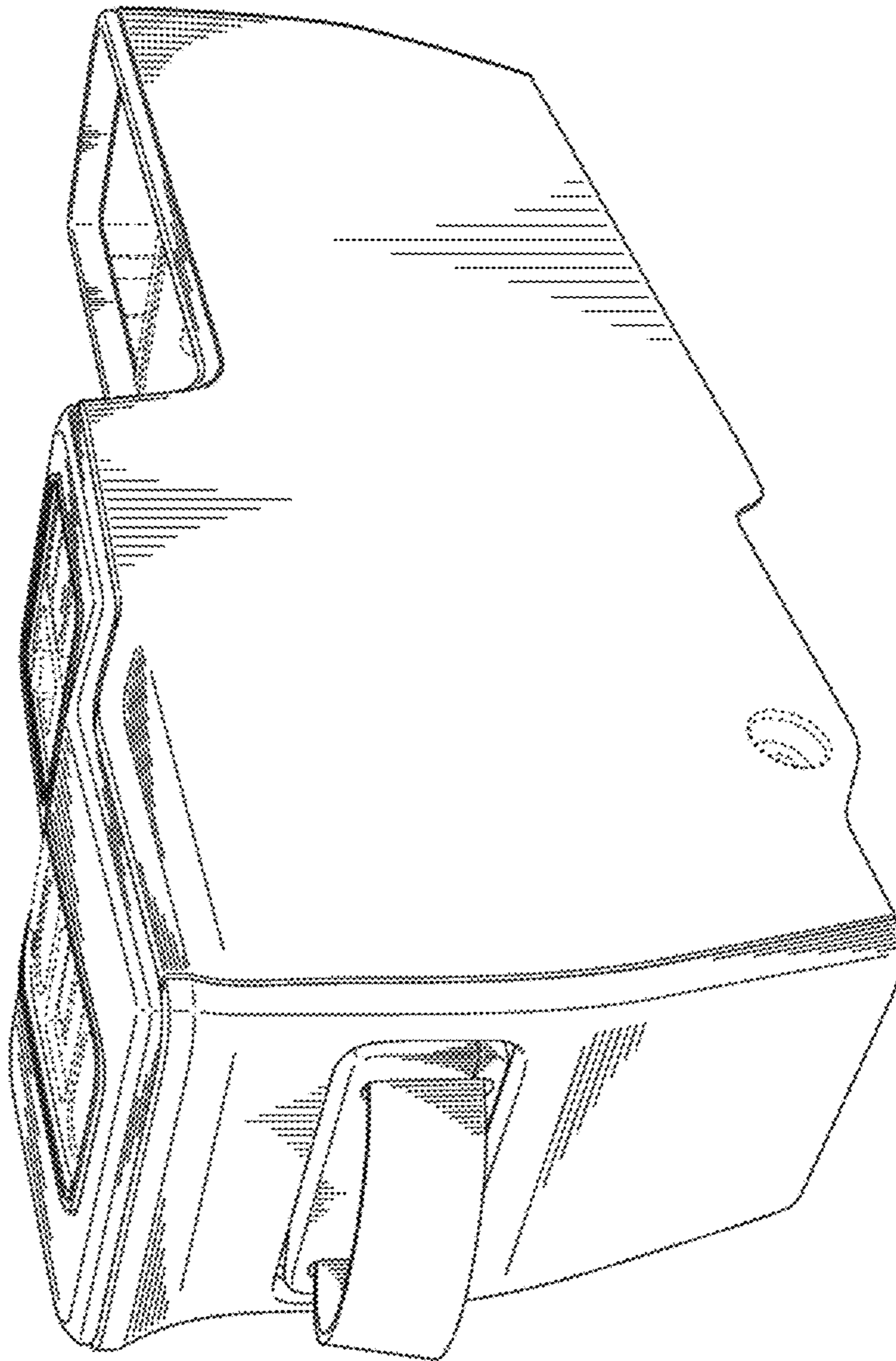


FIG. 1

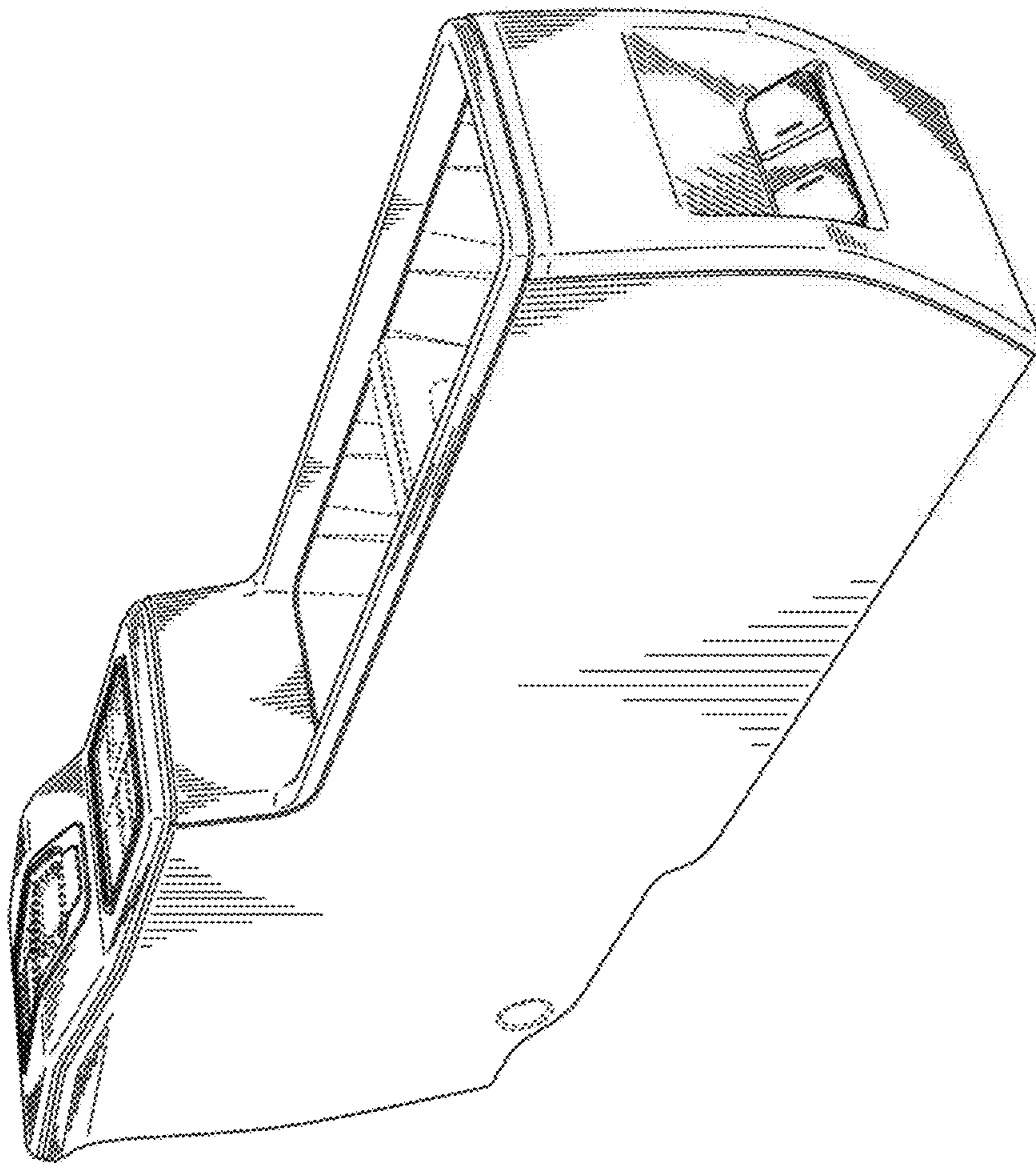


FIG. 2

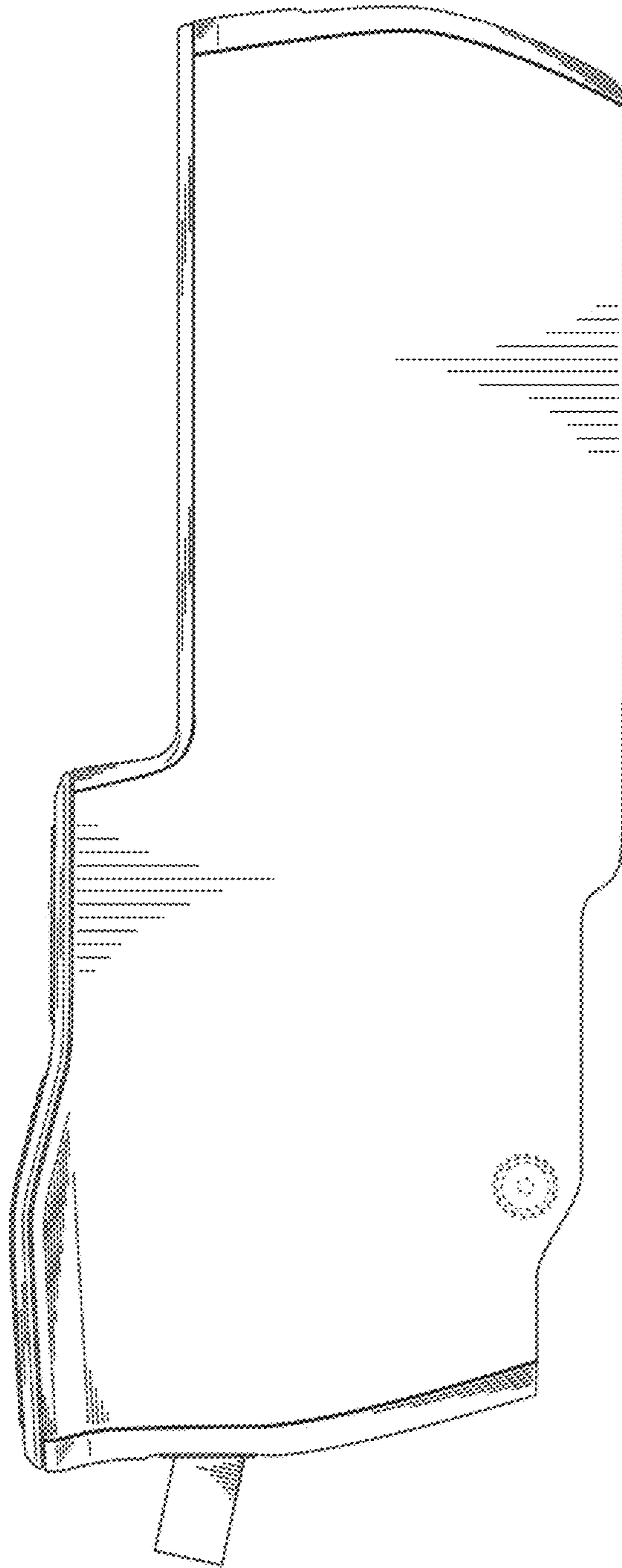


FIG. 3

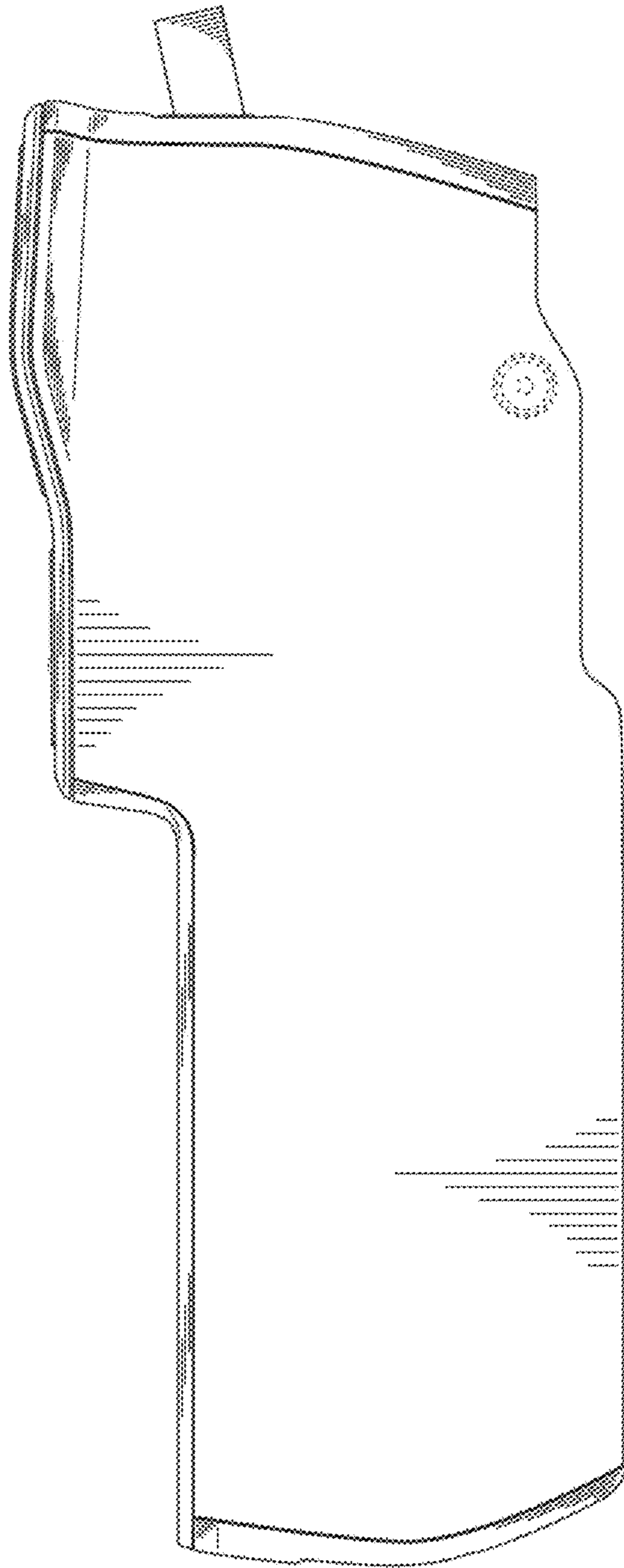


FIG. 4

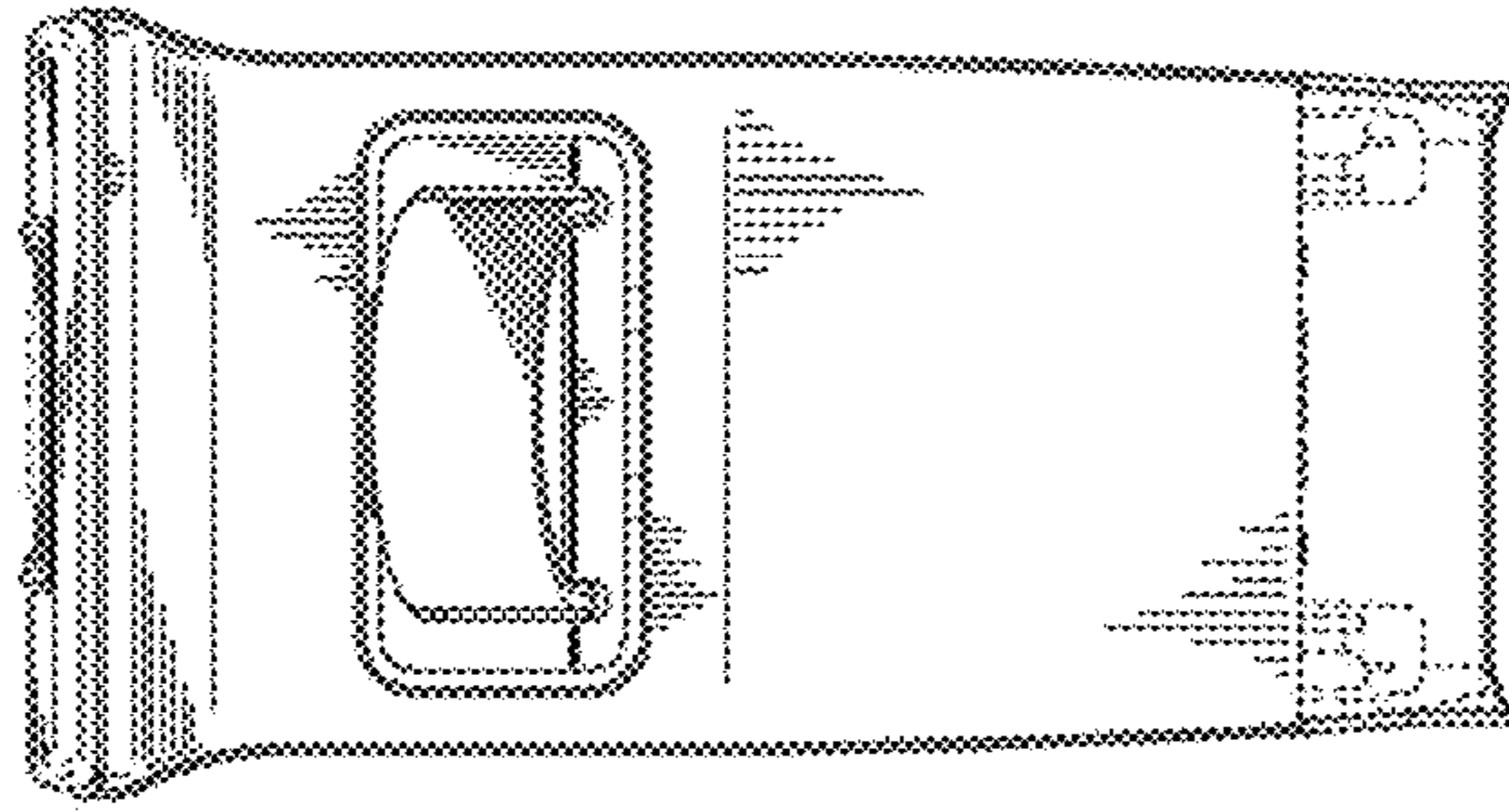


FIG. 5

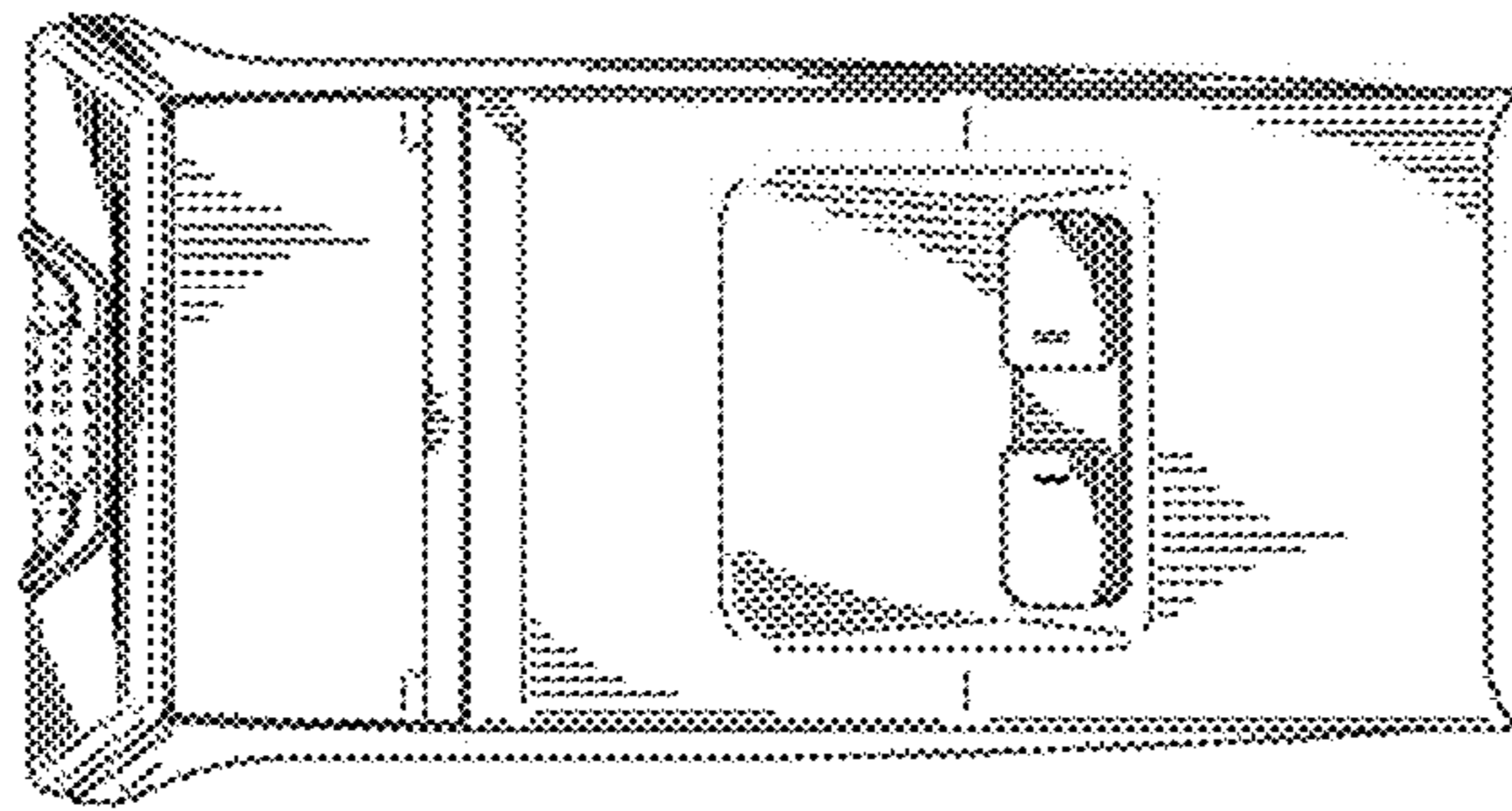


FIG. 6

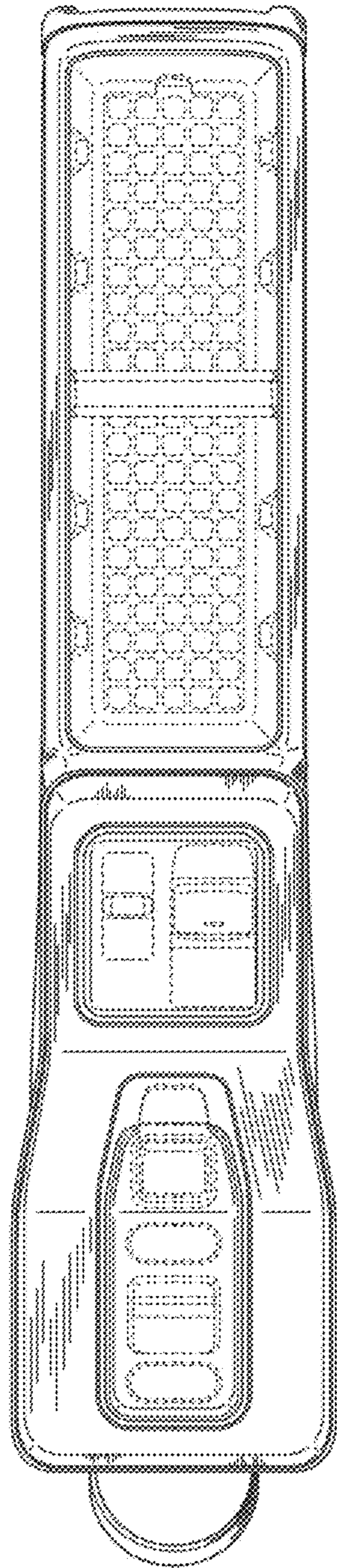


FIG. 7