



US00D897270S

(12) **United States Design Patent** (10) **Patent No.:** **US D897,270 S**
Reiff (45) **Date of Patent:** **** Sep. 29, 2020**

(54) **DUST BOOT** 5,466,084 A * 11/1995 Brueggen F16C 11/0671
403/134
(71) Applicant: **RB Distribution, Inc.**, Colmar, PA 5,536,019 A 7/1996 Bryant et al.
(US) 6,234,488 B1 * 5/2001 Martin B29C 49/0021
277/315
(72) Inventor: **Thomas Allan Reiff**, Lafayette Hill, PA 6,308,959 B1 10/2001 Sokolihs et al.
(US) D451,324 S * 12/2001 Lai D6/524
D514,760 S * 2/2006 Schoolcraft D32/35
D535,073 S * 1/2007 Leaphart D32/35
(73) Assignee: **RB Distribution, Inc.**, Colmar, PA D594,796 S * 6/2009 Ballard D12/179
(US) 7,670,078 B2 3/2010 Elterman et al.
7,704,007 B2 4/2010 Elterman et al.
7,862,250 B2 * 1/2011 Kuru F16C 11/068
403/134
(**) Term: **15 Years** D688,607 S * 8/2013 Foster D12/179
D796,014 S * 8/2017 Haynes D23/269

(21) Appl. No.: **29/688,626**

(22) Filed: **Apr. 23, 2019**

(51) **LOC (12) Cl.** **12-16**

(52) **U.S. Cl.**
USPC **D12/400**

(58) **Field of Classification Search**
USPC D23/269, 223, 224, 262, 259, 261, 260,
D23/249, 265, 266, 303, 309; D12/179,
D12/174, 400, 415, 195, 392.1, 354;
D32/1, 14, 25, 34, 35; D28/7; D6/524;
D21/566, 561
CPC ... F16C 11/0671; F16C 11/0676; F16C 11/06;
F16C 11/068; F16J 3/046; F16L 5/10;
B29C 49/0021; B29C 43/18; B61H 13/34
See application file for complete search history.

(56) **References Cited**

U.S. PATENT DOCUMENTS

3,187,590 A 6/1965 Duggan
3,208,290 A 9/1965 Mathues et al.
3,248,955 A 5/1966 Templeton
3,638,503 A * 2/1972 Stipanovic B61H 13/34
74/18
4,003,666 A 1/1977 Gaines
4,856,795 A * 8/1989 Delano B29C 43/18
277/635

(Continued)

Primary Examiner — Susan E Krakower
Assistant Examiner — Jerry Shiuan-Hua Hsu
(74) *Attorney, Agent, or Firm* — Volpe and Koenig, P.C.

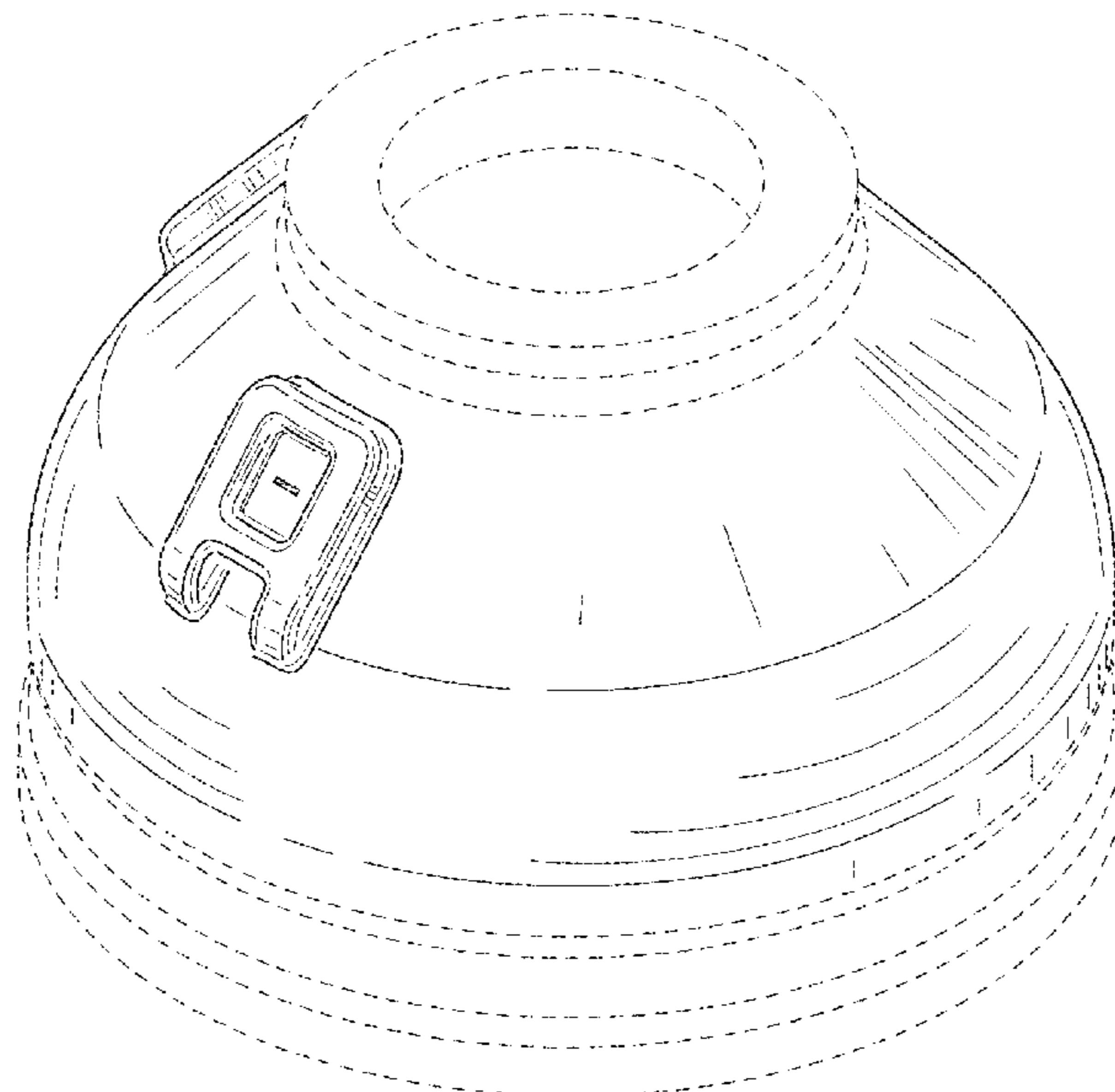
(57) **CLAIM**

The ornamental design for a dust boot, as shown and described.

DESCRIPTION

FIG. 1 is an isometric view of a dust boot, showing my new design;
FIG. 2 is a front side view of the dust boot in FIG. 1;
FIG. 3 is a back side view of the dust boot in FIG. 1;
FIG. 4 is a left side view of the dust boot in FIG. 1;
FIG. 5 is a right side view of the dust boot in FIG. 1;
FIG. 6 is a top plan view of the dust boot in FIG. 1;
FIG. 7 is a bottom plan view of the dust boot in FIG. 1; and,
FIG. 8 is an isometric view of the dust boot in FIG. 1, in a state of use.
The broken lines illustrate portions of the dust boot that form no part of the claimed design. Broken lines showing a base and top in FIG. 8, illustrate environmental structure that form no part of the claimed design.

1 Claim, 6 Drawing Sheets



(56)

References Cited

U.S. PATENT DOCUMENTS

10,030,778	B2 *	7/2018	Hermanski	F16J 3/046
10,041,530	B2 *	8/2018	Kanagawa	F16C 11/06
D840,516	S *	2/2019	Haynes	D23/269
10,364,838	B2 *	7/2019	Parker	F16C 11/0676
D856,498	S *	8/2019	Bayyouk	D23/269
D863,195	S *	10/2019	Bidigare	D12/400
10,473,148	B2 *	11/2019	Doherty	F16C 11/0671
2007/0048081	A1 *	3/2007	Elterman	F16C 11/0671 403/122
2007/0059092	A1	3/2007	Elterman	
2009/0232589	A1	9/2009	Kuru	
2018/0258983	A1	9/2018	Reddehase	

* cited by examiner

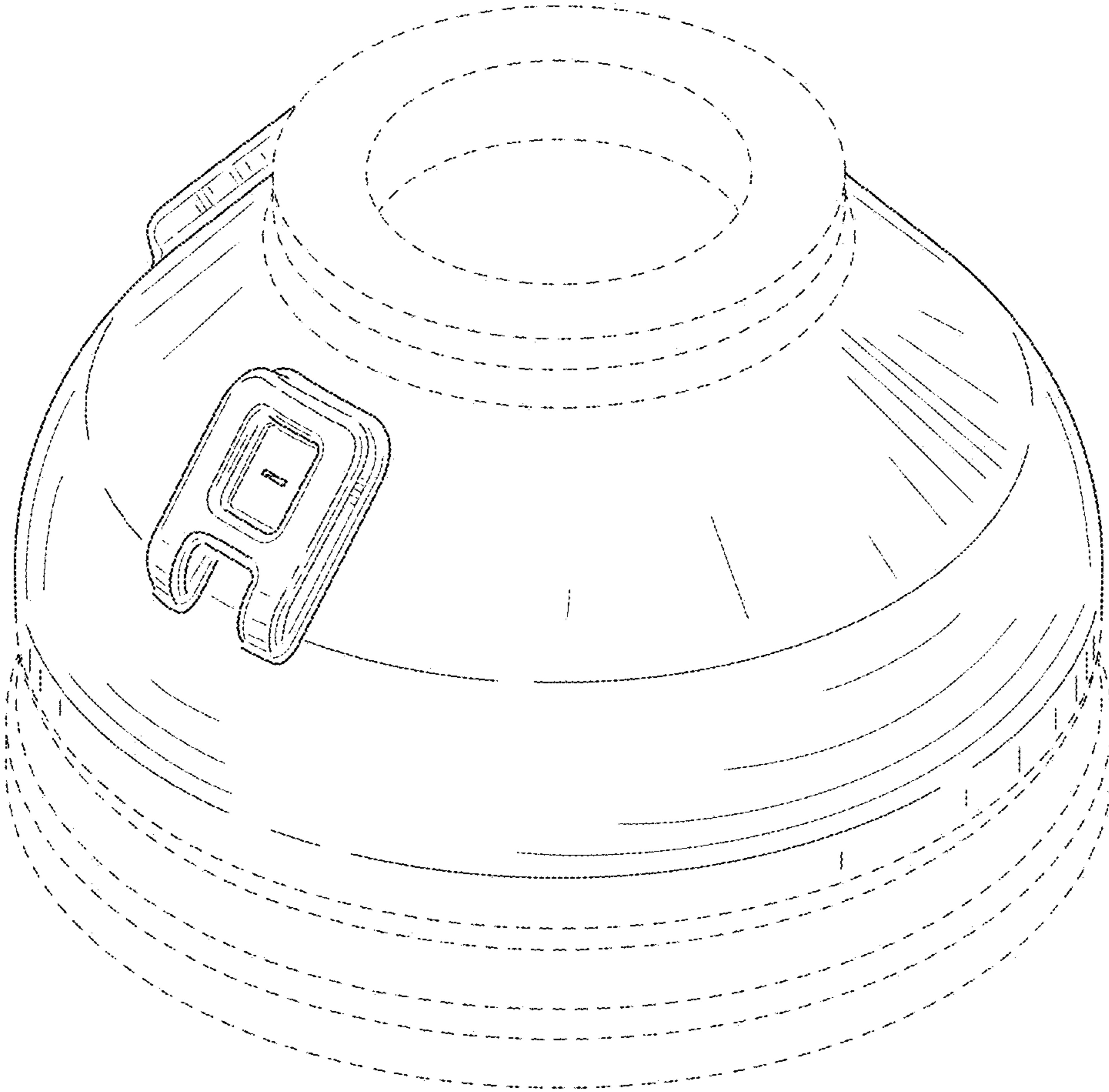


FIG. 1

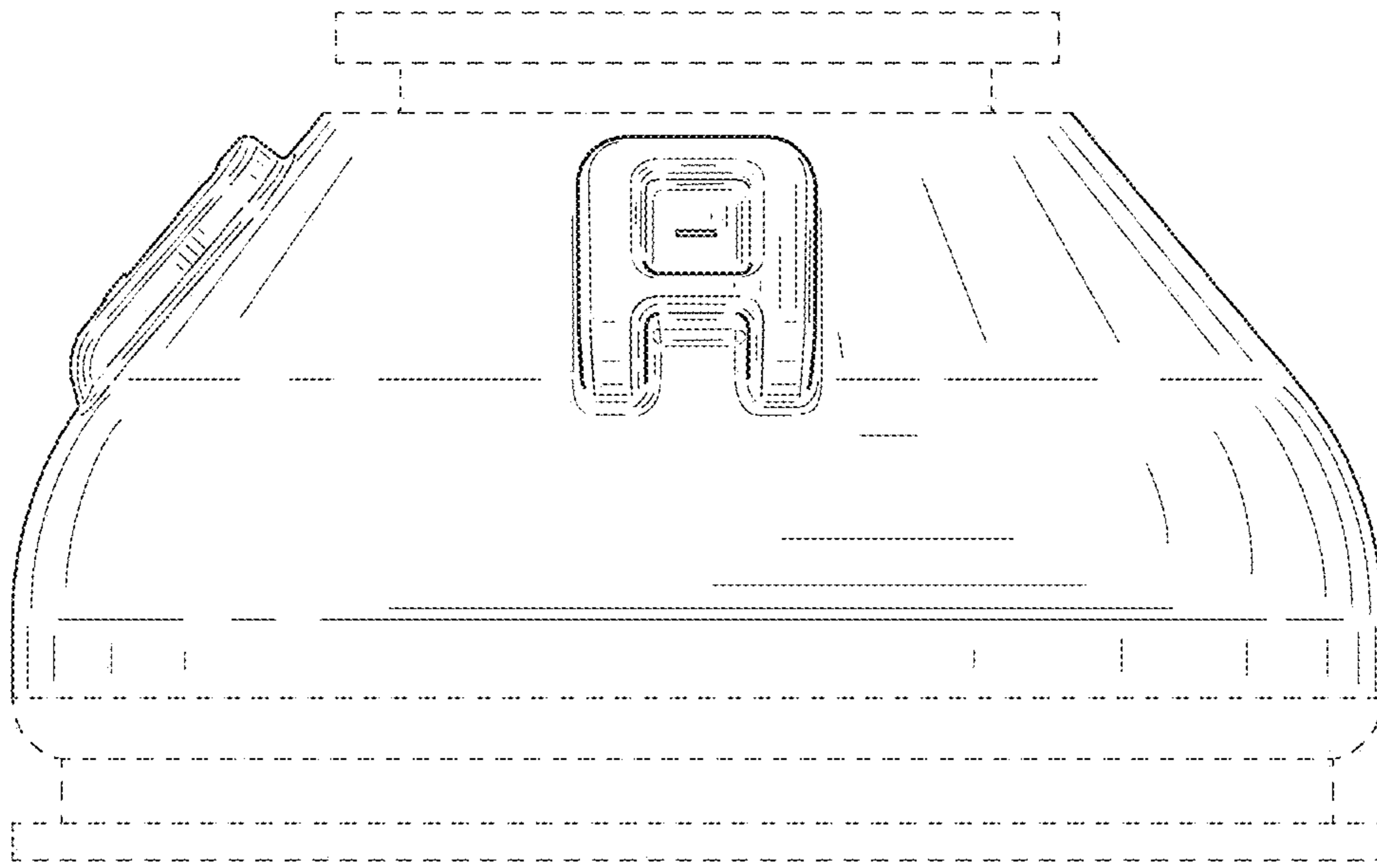


FIG. 2

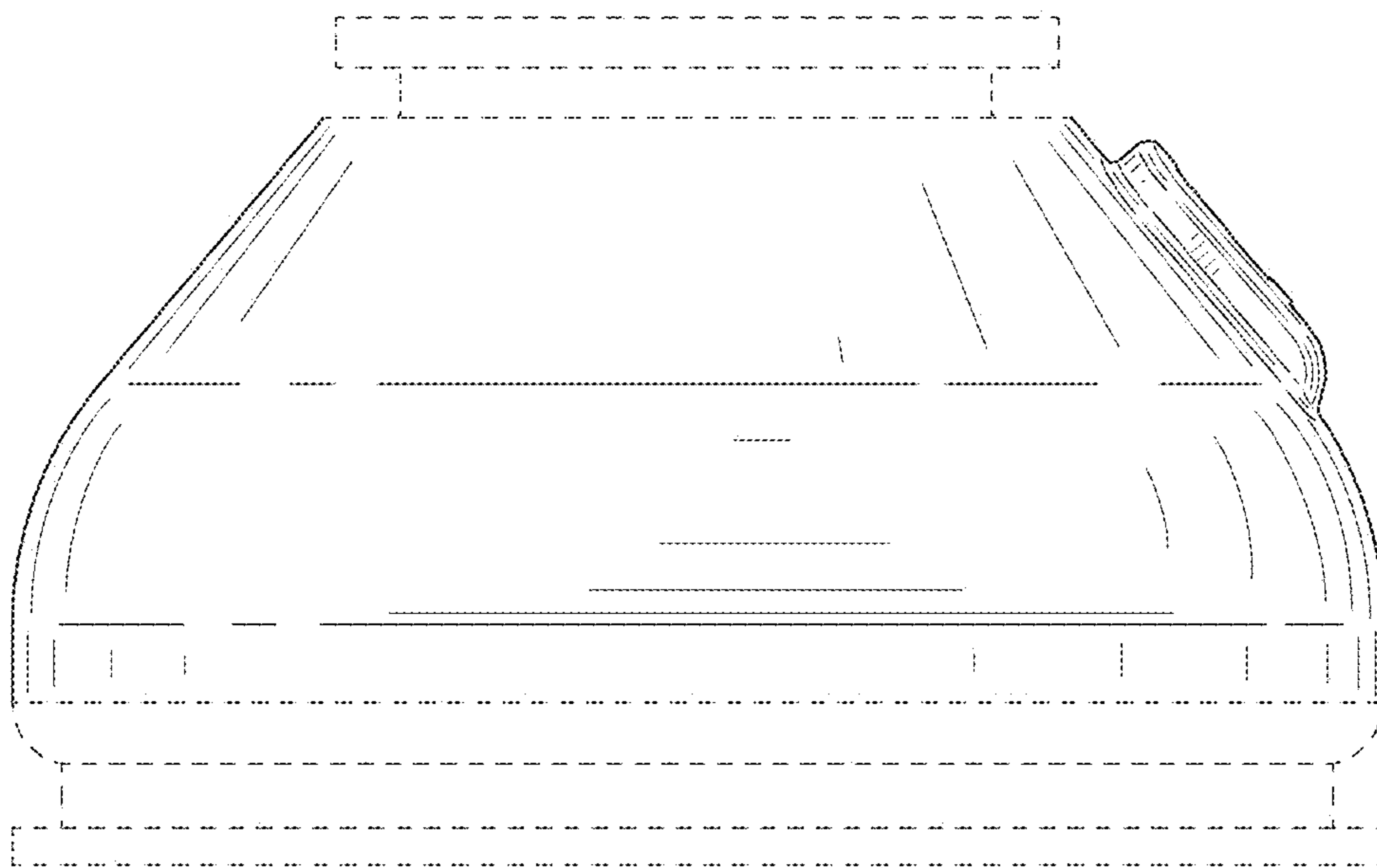


FIG. 3

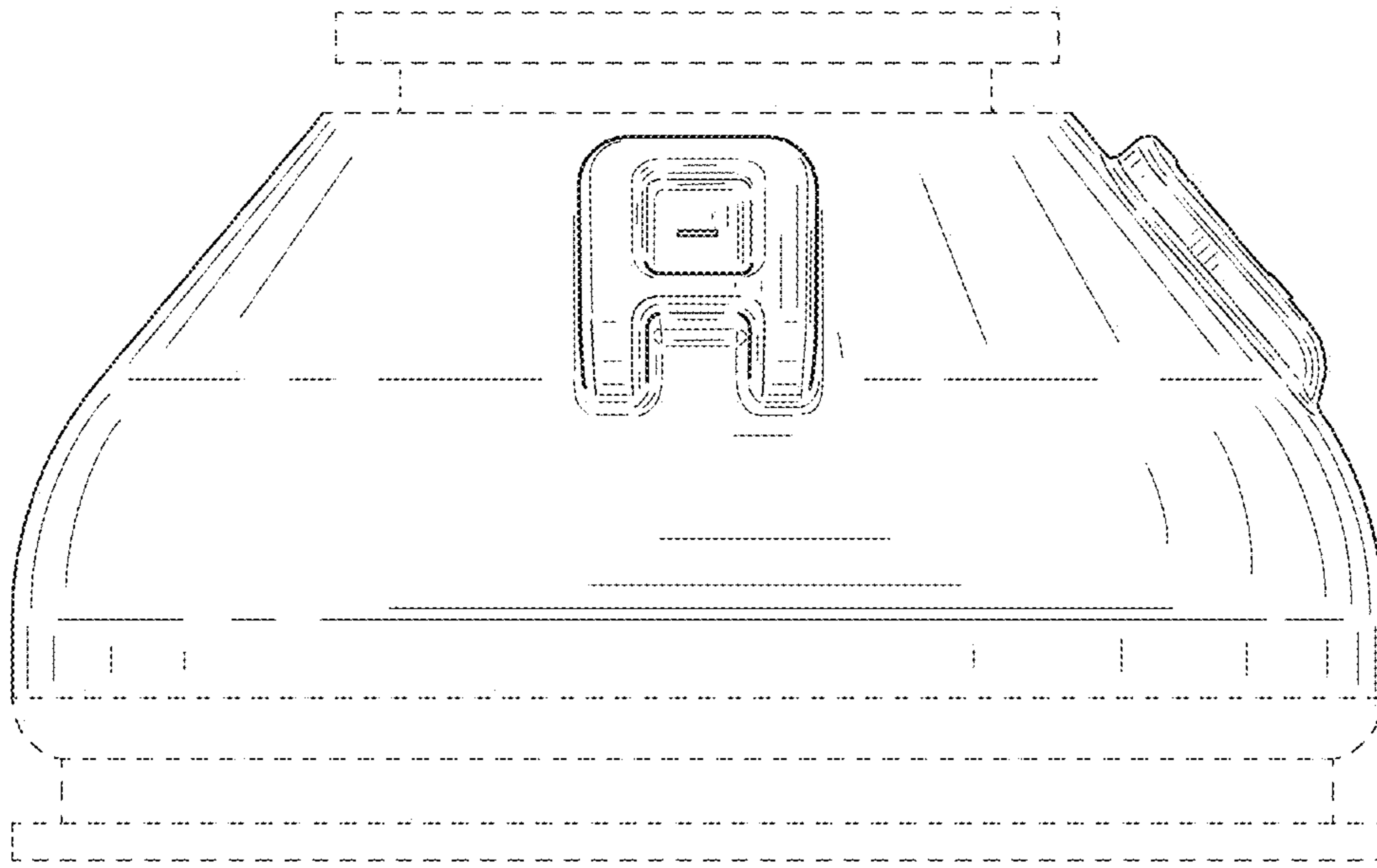


FIG. 4

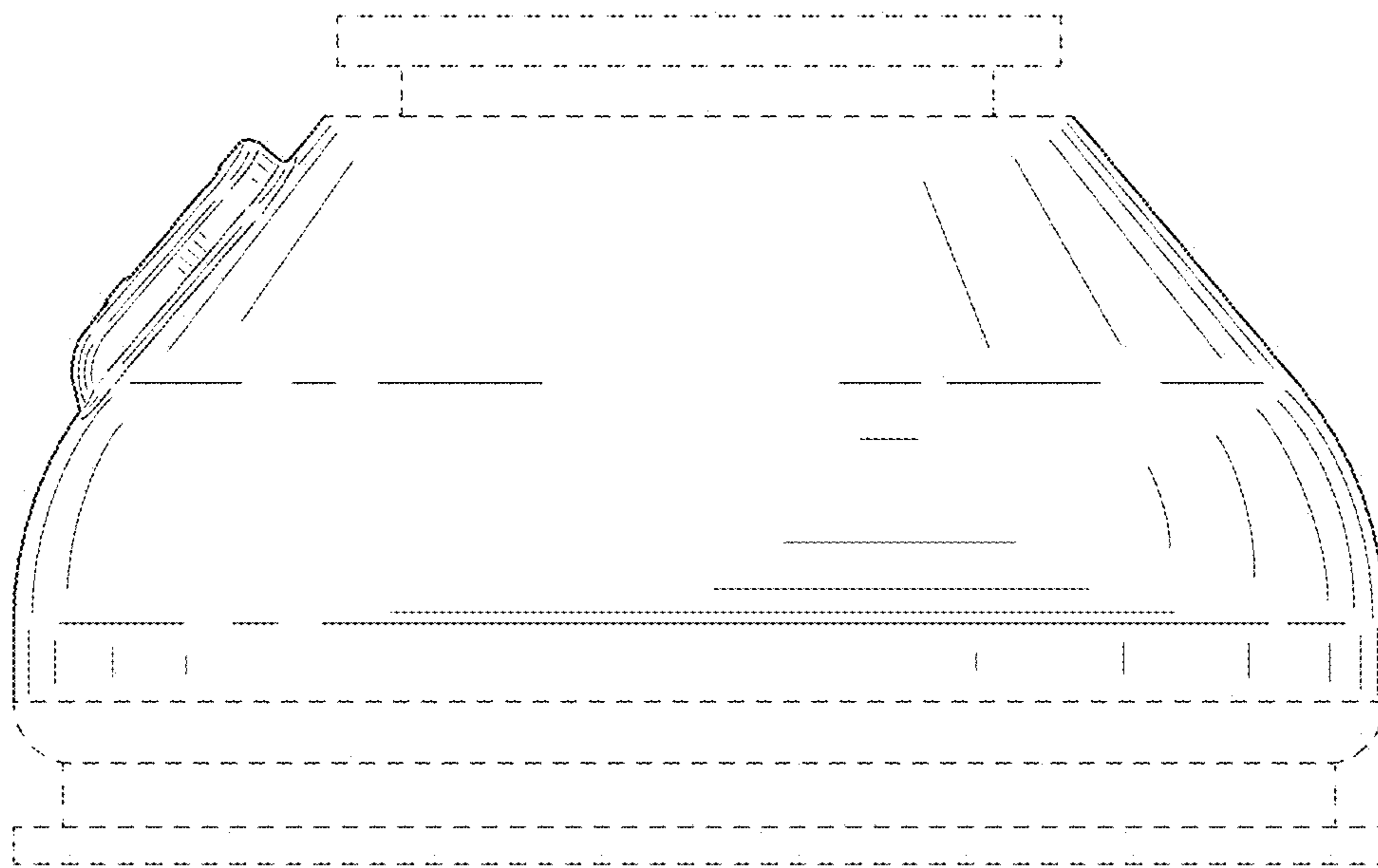


FIG. 5

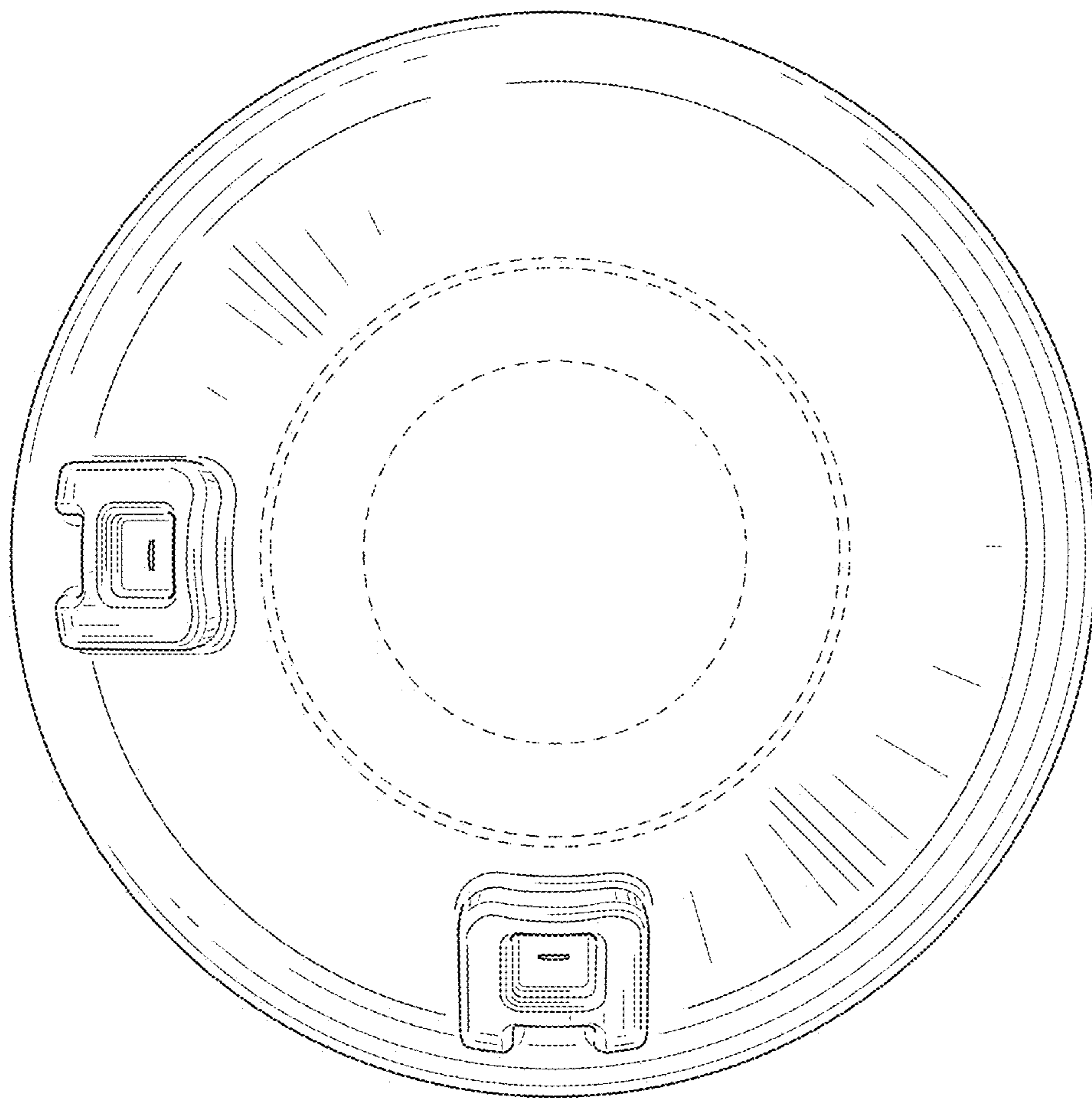


FIG. 6

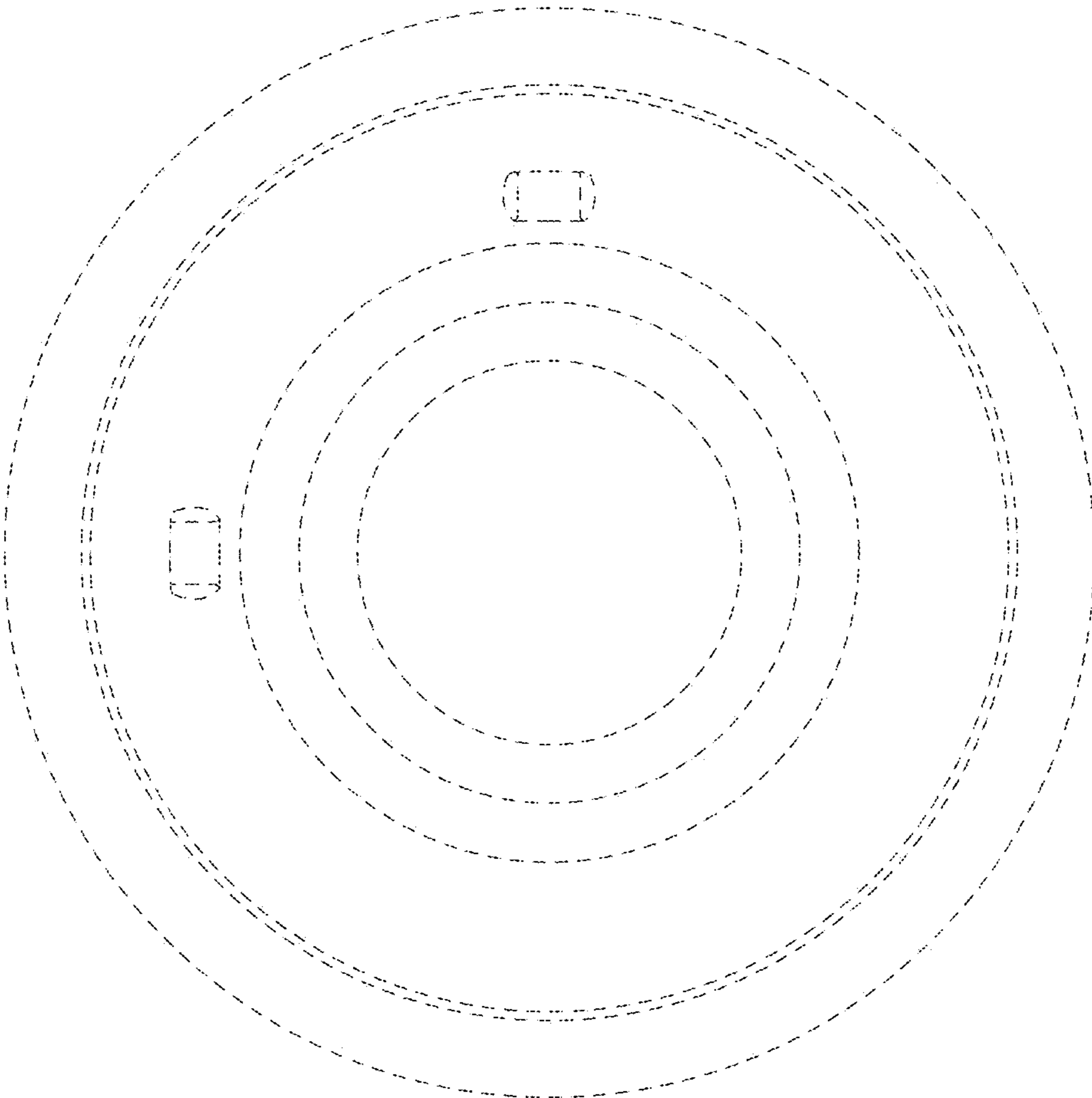


FIG. 7

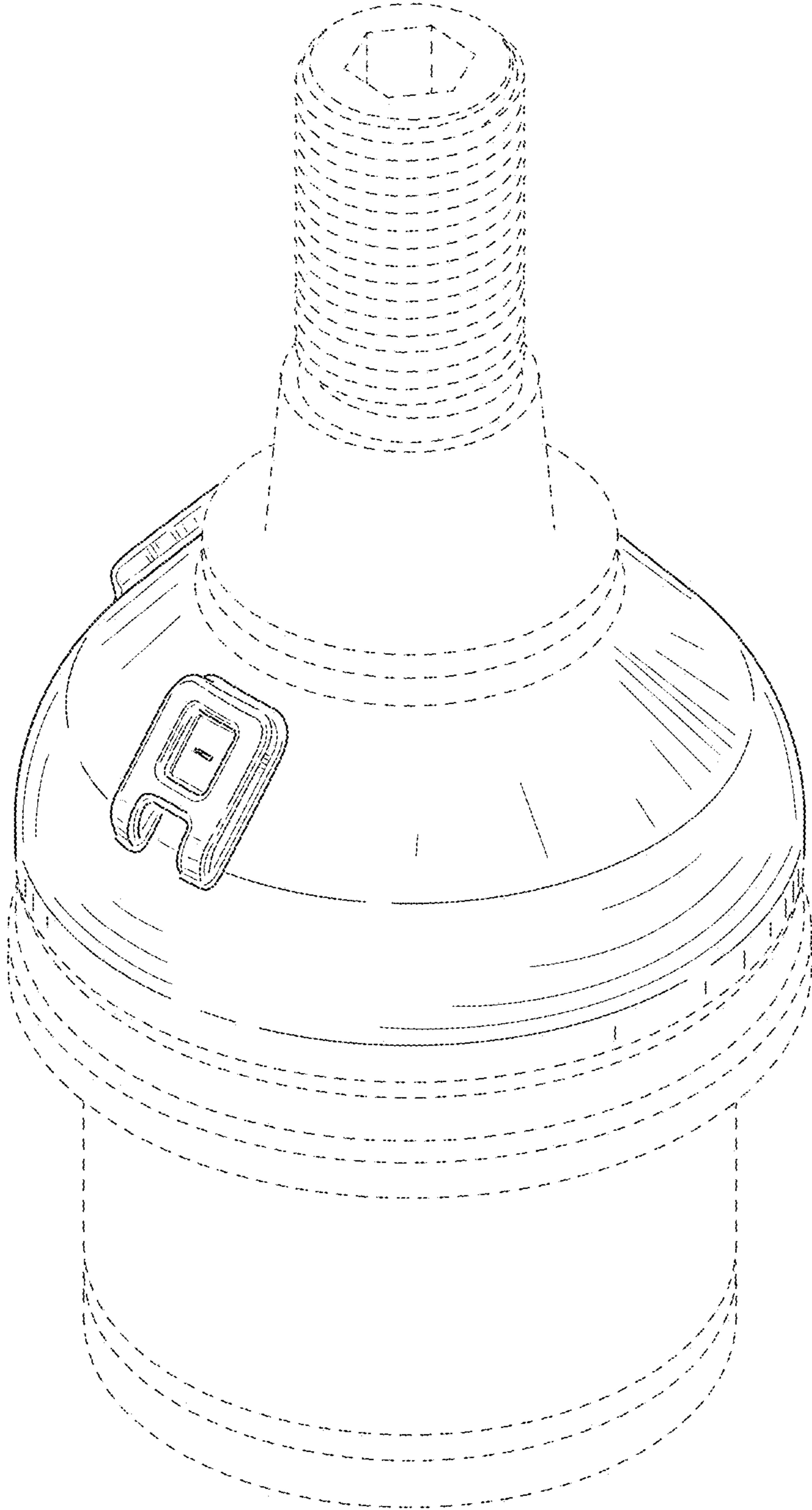


FIG. 8