



US00D897269S

(12) **United States Design Patent**
Schmiderer et al.

(10) **Patent No.:** **US D897,269 S**
(45) **Date of Patent:** **** Sep. 29, 2020**

- (54) **AIRCRAFT**
- (71) Applicant: **BARZAN HOLDINGS QSTP LLC**,
Doha (QA)
- (72) Inventors: **Alfred Schmiderer**, Berlin (DE);
Reiner Stemme, Berlin (DE)
- (73) Assignee: **BARZAN HOLDINGS QSTP LLC**,
Doha (QA)
- (**) Term: **15 Years**
- (21) Appl. No.: **29/664,800**
- (22) Filed: **Sep. 27, 2018**

D144,023 S 3/1946 Bowers et al.
 D148,255 S 12/1947 Salisbury
 D149,555 S 5/1948 Hibrard
 (Continued)

OTHER PUBLICATIONS

S-56 helicopter-stub wings by Sikorsky Archives. dated Oct. 2006 in "the Span of One Decade". prepared by Vinny Devine, dated Apr. 2013. found on line (Dec. 4, 2018) [https://www.sikorskyarchives.com/S+56%20H R2S-1 H-37 .php](https://www.sikorskyarchives.com/S+56%20H+R2S-1+H-37.php).
 (Continued)

Primary Examiner — Marissa J Cash
 (74) *Attorney, Agent, or Firm* — Johnson, Marcou, Isaacs & Nix, LLC

Related U.S. Application Data

- (60) Division of application No. 29/635,687, filed on Feb. 1, 2018, now Pat. No. Des. 833,364, which is a continuation of application No. 29/569,827, filed on Jun. 30, 2016, now Pat. No. Des. 809,448.
- (51) **LOC (12) Cl.** **12-02**
- (52) **U.S. Cl.**
USPC **D12/344**
- (58) **Field of Classification Search**
USPC D12/1-4, 16.1, 319-345; D21/436-455; D25/13, 199
CPC B64C 29/0033; B64C 29/02; B64C 2201/021; B64C 2201/088; B64C 2201/104; B64C 2201/141; B64G 2001/1064; B64G 2001/1071; B64G 5/00; B64G 1/46
See application file for complete search history.

CLAIM

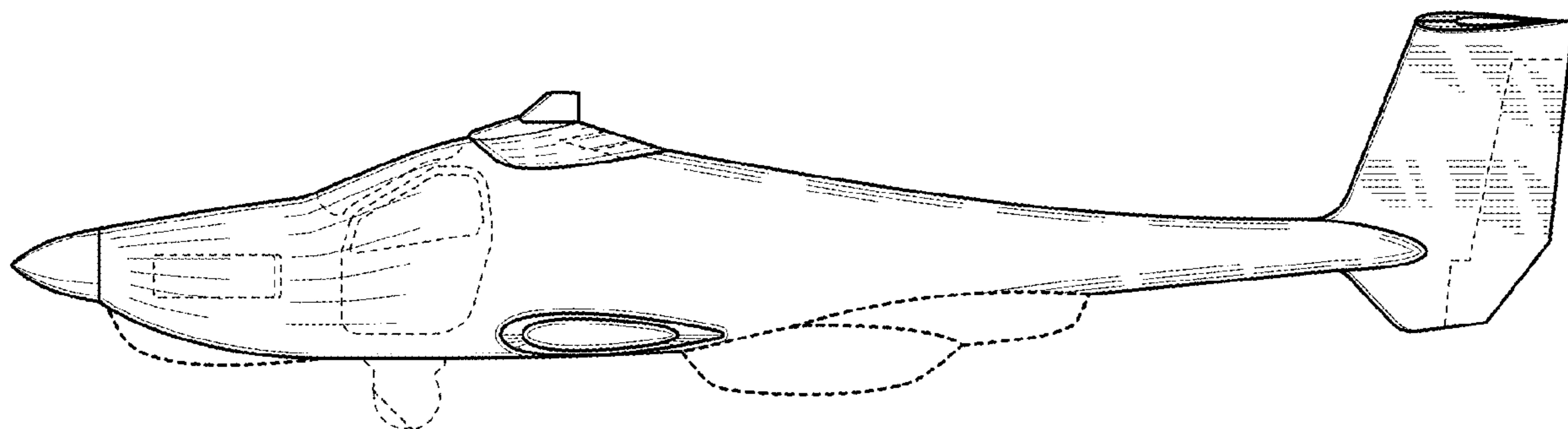
We claim the ornamental design for an aircraft, as shown and described.

DESCRIPTION

FIG. 1 is a side view for an aircraft, showing the new design, a side view of the reverse side is a mirror image of the illustrated side;
 FIG. 2 is a front view of the aircraft;
 FIG. 3 is a front view of a starboard portion of the aircraft;
 FIG. 4 is a front view of a port portion of the aircraft;
 FIG. 5 is a rear view of the aircraft;
 FIG. 6 is a rear view of a starboard portion of the aircraft;
 FIG. 7 is a rear view of a port portion of the aircraft;
 FIG. 8 is a top view of the aircraft;
 FIG. 9 is a top view of a starboard portion of the aircraft;
 FIG. 10 is a top view of a port portion of the aircraft;
 FIG. 11 is a bottom view of the aircraft;
 FIG. 12 is a bottom view of a starboard portion of the aircraft; and,
 FIG. 13 is a bottom view of a port portion of the aircraft.
 The broken lines shown in the drawings illustrate portions of the aircraft that do not form part of the claimed design.

- (56) **References Cited**
U.S. PATENT DOCUMENTS
 D143,822 S 2/1946 Johnson
 D143,969 S 2/1946 Gross

1 Claim, 13 Drawing Sheets



(56)

References Cited

U.S. PATENT DOCUMENTS

D153,456 S * 4/1949 Pulver et al. D12/341
 D172,927 S * 8/1954 JOHnson et al. D12/342
 D180,297 S 5/1957 Schmued et al.
 D212,877 S 12/1968 Kraus
 3,618,881 A 11/1971 Fellers et al.
 D224,607 S * 8/1972 Earl D12/330
 4,160,534 A 7/1979 White
 D274,142 S 6/1984 McNab et al.
 D279,469 S * 7/1985 Raisbeck D12/345
 D289,994 S 5/1987 McNab et al.
 D292,909 S 11/1987 Drake
 D307,259 S 4/1990 Holt et al.
 D317,432 S 6/1991 Cummings
 D317,897 S 7/1991 Antonov et al.
 D326,082 S 5/1992 Finlay et al.
 D355,635 S 2/1995 Raisbeck et al.
 D392,937 S 3/1998 Brichard et al.
 5,820,075 A 10/1998 Speakes et al.
 D418,105 S 12/1999 Margaritoff
 D427,957 S 7/2000 Moebius
 D428,071 S 7/2000 Wang et al.
 D428,451 S 7/2000 Wang
 D446,764 S 8/2001 Panatov et al.
 D471,853 S 3/2003 Lucchesini
 D497,586 S * 10/2004 Ferguson D12/345
 6,929,214 B2 8/2005 Ackleson et al.
 D516,007 S 2/2006 Vigneron et al.
 D583,295 S 12/2008 Au
 D592,780 S 5/2009 Calvin et al.
 D596,267 S 7/2009 Donovan et al.
 D599,727 S 9/2009 Couvelaire
 D620,159 S 7/2010 Beigel et al.
 D620,875 S 8/2010 Chang et al.
 D620,876 S 8/2010 Miralles et al.
 D624,002 S 9/2010 Saint-Jalmes et al.
 D624,003 S * 9/2010 Saint-Jalmes D12/345
 D628,528 S 12/2010 Carrasco
 D640,181 S 6/2011 Calvin et al.
 7,967,252 B2 6/2011 Ferguson et al.
 D640,962 S 7/2011 Guering
 D665,331 S 8/2012 Sands
 D681,543 S 5/2013 Fujino et al.
 D688,618 S * 8/2013 Bock B64C 1/066
 D12/345
 D690,254 S 9/2013 Manzhelii et al.
 D691,547 S 10/2013 Schiltgen et al.
 D706,678 S 6/2014 Earon
 D708,563 S 7/2014 Colten
 D709,007 S 7/2014 Henry et al.
 D709,008 S 7/2014 Brzustowicz et al.
 D709,009 S 7/2014 Brzustowicz et al.
 D709,212 S 7/2014 Peltola et al.
 D709,431 S * 7/2014 Karkow D12/324
 D710,773 S 8/2014 Ito et al.
 D710,782 S 8/2014 Cummings
 D717,227 S 11/2014 Senellart et al.
 D725,548 S 3/2015 Peters et al.
 D725,576 S 3/2015 Vickers et al.
 D733,029 S 6/2015 Dutertre

D739,807 S 9/2015 Karkow et al.
 D740,203 S 10/2015 Bouffanais et al.
 D743,868 S 11/2015 Cummings et al.
 D754,053 S * 4/2016 Robertson D12/345
 D758,950 S * 6/2016 Scooler D12/345
 D762,157 S 7/2016 Ferreira et al.
 D762,548 S 8/2016 Ferreira et al.
 D763,733 S 8/2016 Gattelli et al.
 D769,177 S 10/2016 Tran et al.
 D778,803 S 2/2017 Faure et al.
 9,583,823 B2 2/2017 Tasker et al.
 D795,160 S 8/2017 Koppenwallner
 D799,402 S * 10/2017 Cummings D12/327
 D800,843 S 10/2017 Sartorius et al.
 D805,503 S 12/2017 Corp et al.
 D807,273 S 1/2018 Koppenwallner
 D808,328 S 1/2018 Ivans et al.
 D809,448 S 2/2018 Schmiderer et al.
 D813,143 S 3/2018 Belik et al.
 D813,956 S 3/2018 McConville et al.
 D818,931 S 5/2018 Schmiderer
 D825,434 S 8/2018 Stemme
 D833,364 S 11/2018 Schmiderer et al.
 D833,365 S 11/2018 Schmiderer
 2017/0062920 A1 3/2017 Harleman et al.
 2017/0129588 A1 5/2017 Verillion et al.
 2017/0133755 A1 5/2017 Renilson et al.
 2017/0201017 A1 7/2017 Cordone et al.
 2017/0210458 A1 7/2017 Tothill

OTHER PUBLICATIONS

Dornier Do 319 Seeschwalbe by dizzyfugu. dated Nov. 22, 2017. found online (Dec. 4, 2018) <https://www.flickr.com/photos/>, 2 pages.
 Beco Long Rubber Swim Fins by maudesport. dated 2018. found online [Nov. 29, 2018] <https://maudesport.com/beco-long-rubber-swim-fins>, 4 Pages.
 Line of Defence by defsec. dated Nov. 2016. found online [Nov. 29, 2018] <http://www.defsecmedia.co.nz/defence/line-defence-nov2016-fast/>, 4 pages.
 “2nd Examination Report issued in EUIPO Design Application No. 003560630”, dated Aug. 17, 2017, 1 page.
 Cash, “Office Action in U.S. Appl. No. 29/569,862”, dated Jun. 14, 2018, 7 pages.
 Cash, “Office Action in U.S. Appl. No. 29/643,513”, dated Dec. 6, 2018, 7 pages.
 Cash, “Office Action issued in U.S. Appl. No. 29/569,827, filed Jun. 30, 2016”, dated Apr. 6, 2017, 8 pages.
 Freitag, “Communication issued in EUIPO Design Application No. 003560630”, dated Nov. 6, 2017, 2 pages.
 Freitag, “Examination Report issued in EUIPO Design Application No. 003560630”, dated Feb. 15, 2017, 2 pages.
 Marissa, “Office Action issued in U.S. Appl. No. filed Jun. 30, 2016”, dated Dec. 26, 2017.
 U.S. Appl. No. 29/664,793 to Schmiderer filed Sep. 27, 2018.
 U.S. Appl. No. 29/655,507 to Stemme filed Jul. 3, 2018.
 U.S. Appl. No. 29/569,862 to Wagner filed Jun. 30, 2016.
 U.S. Appl. No. 29/643,513 to Schmiderer filed Apr. 9, 2018.

* cited by examiner

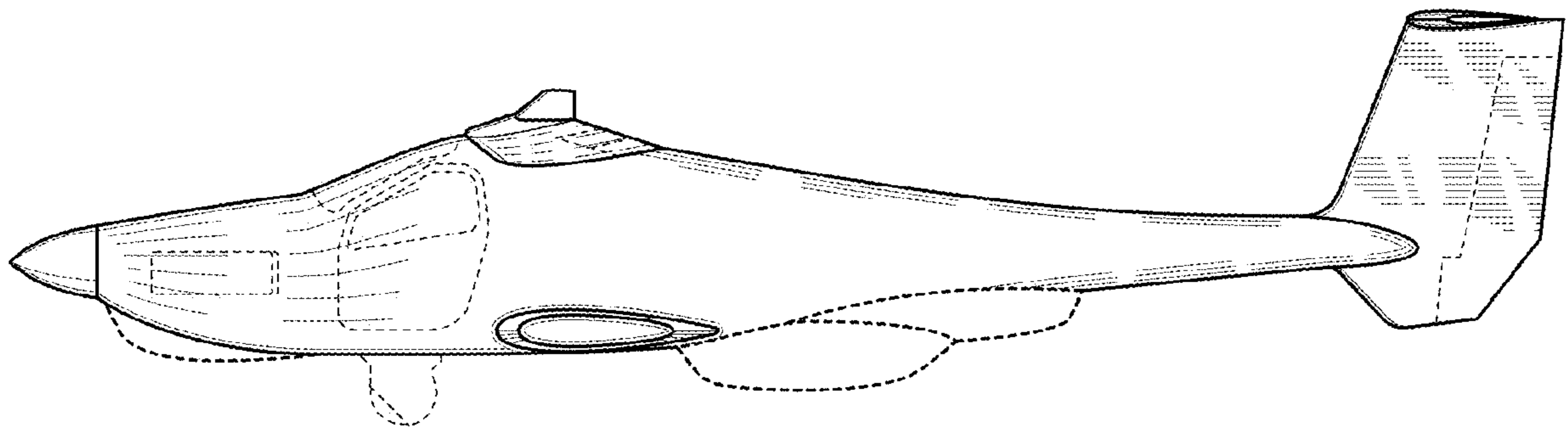


FIG. 1

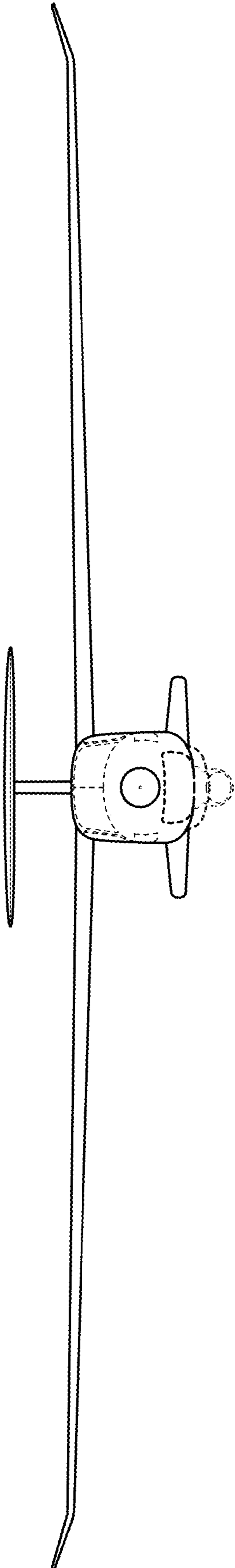


FIG. 2

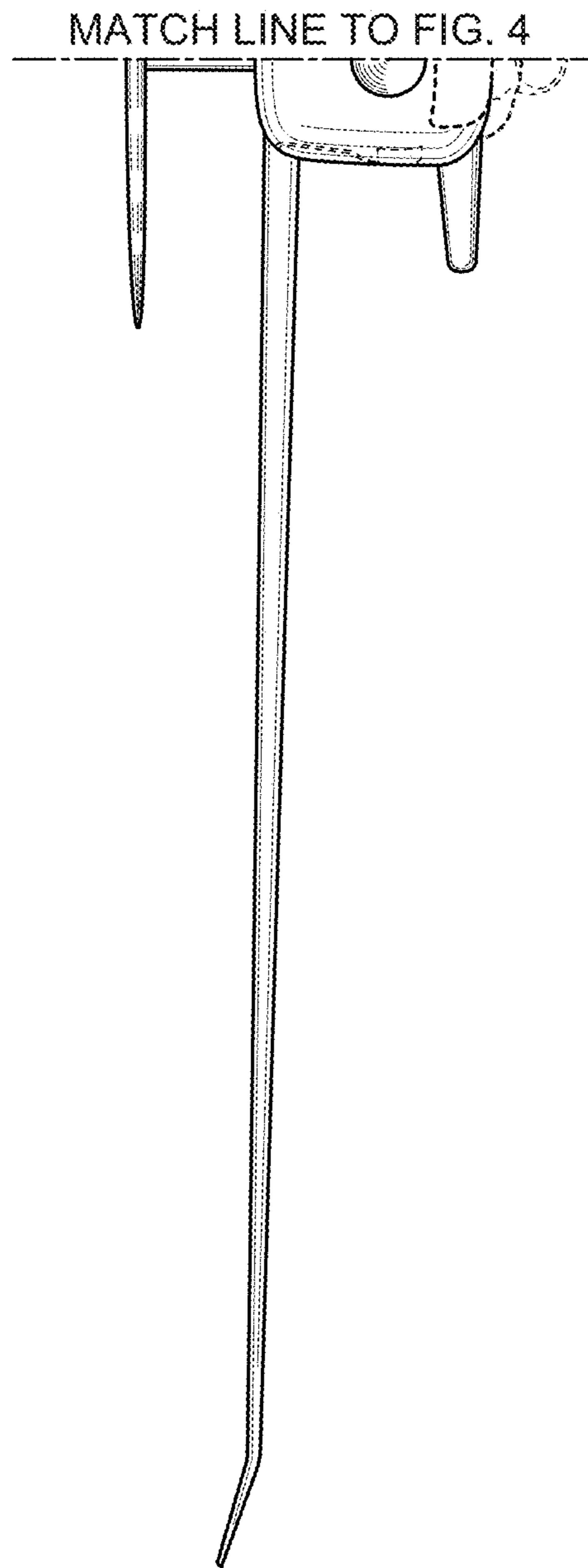


FIG. 3

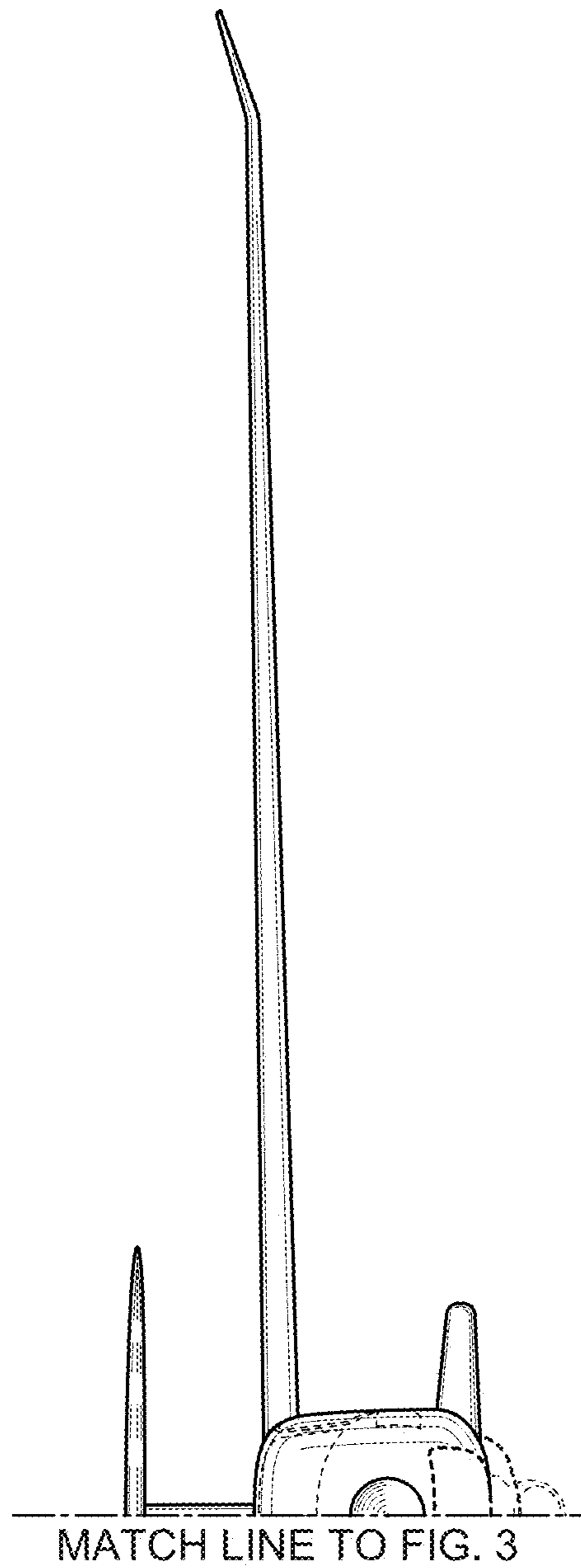


FIG. 4

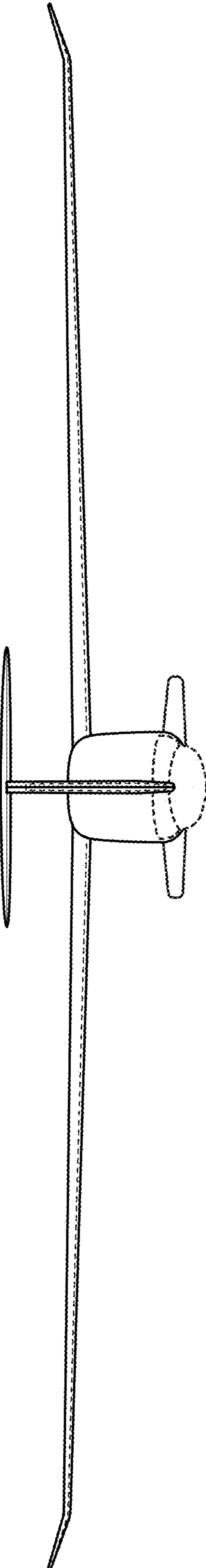


FIG. 5

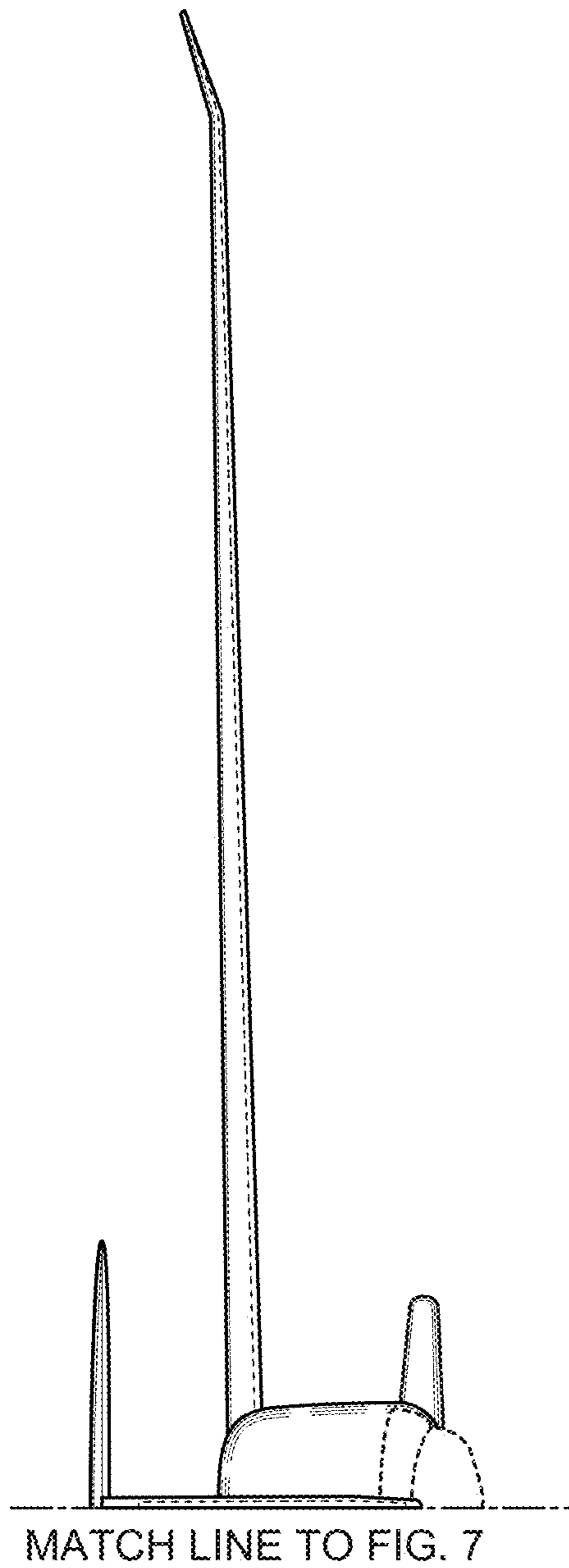


FIG. 6

MATCH LINE TO FIG. 6

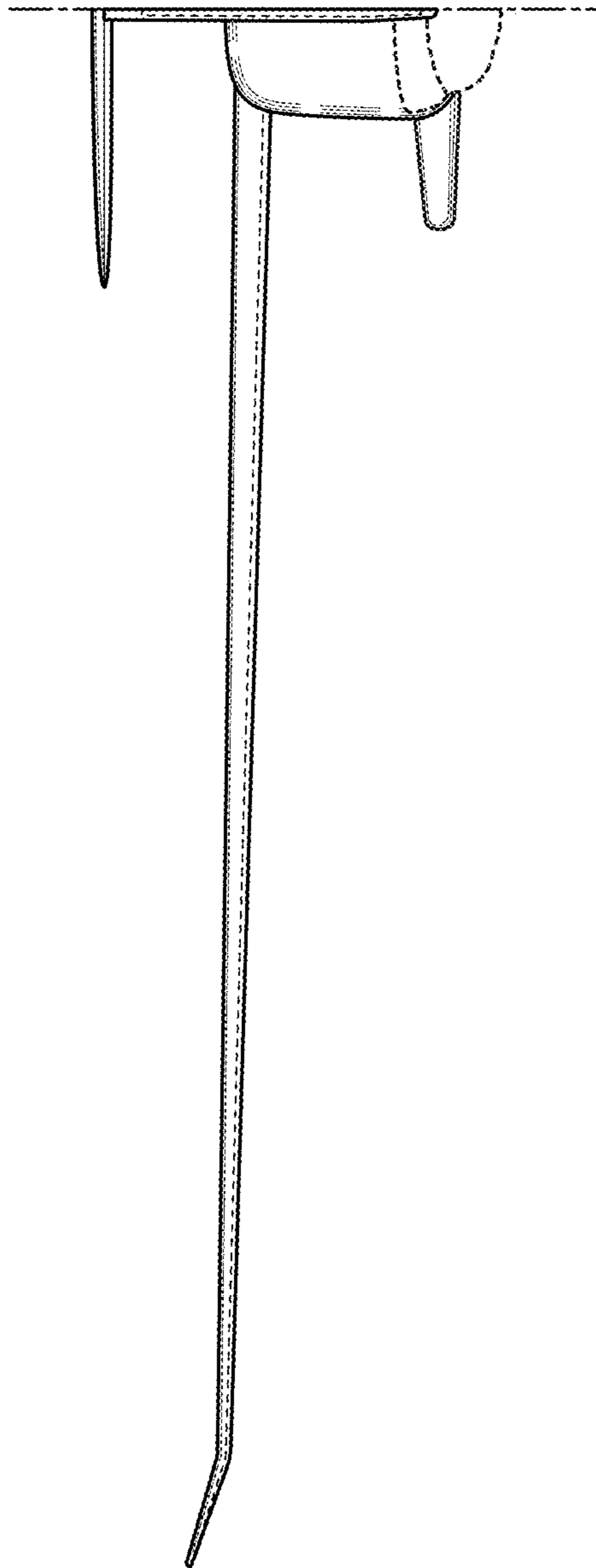


FIG. 7

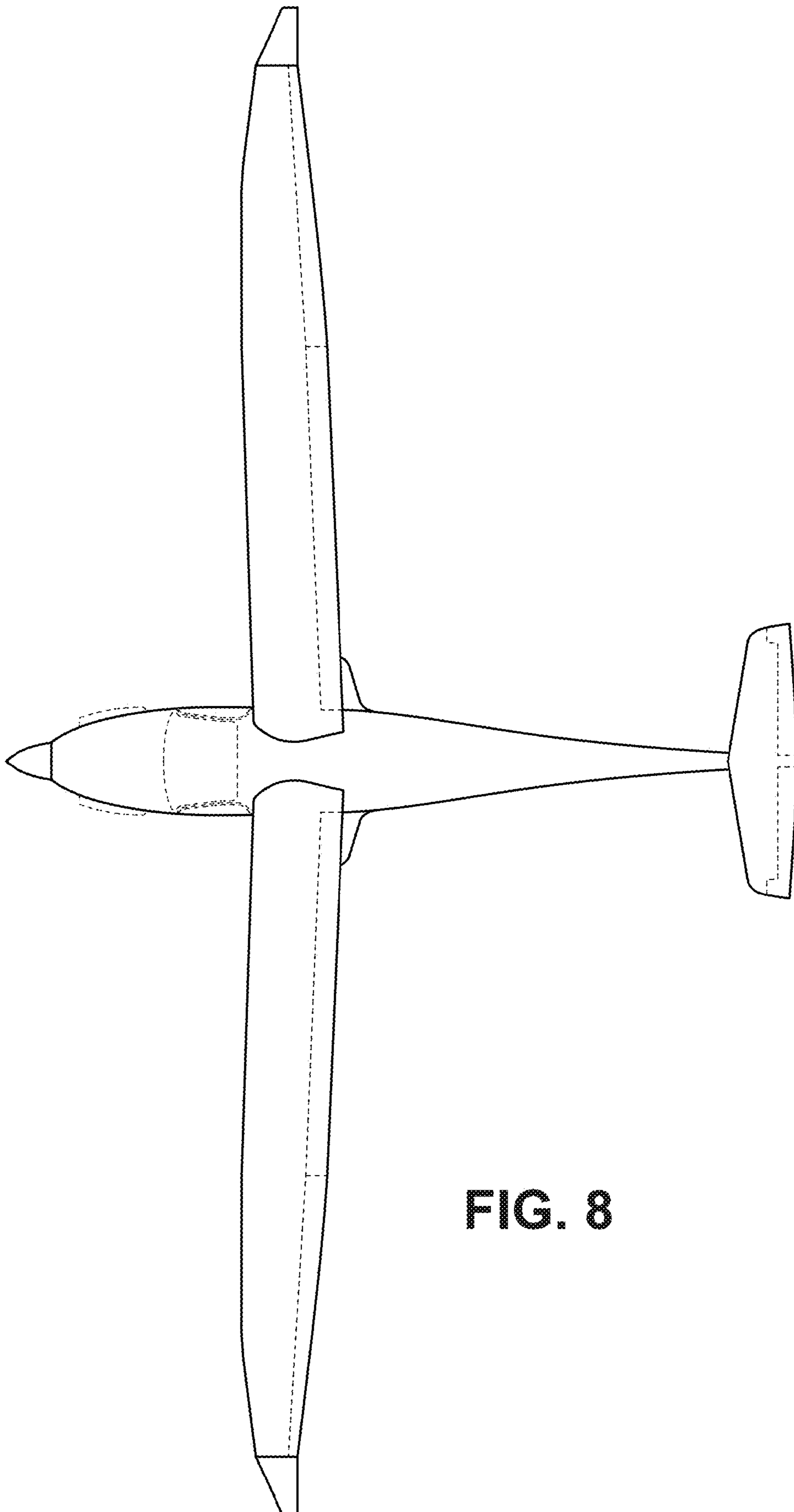
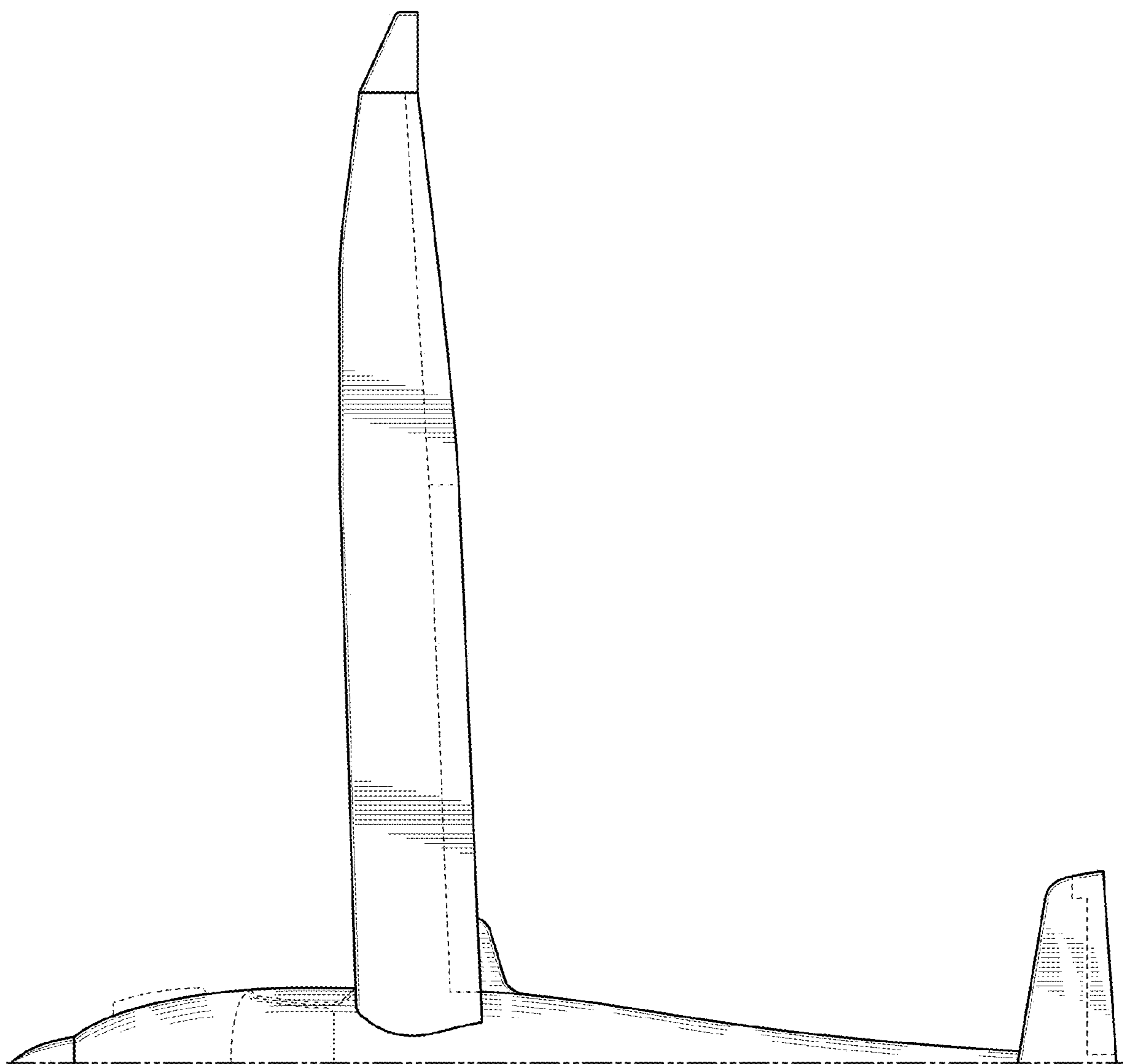
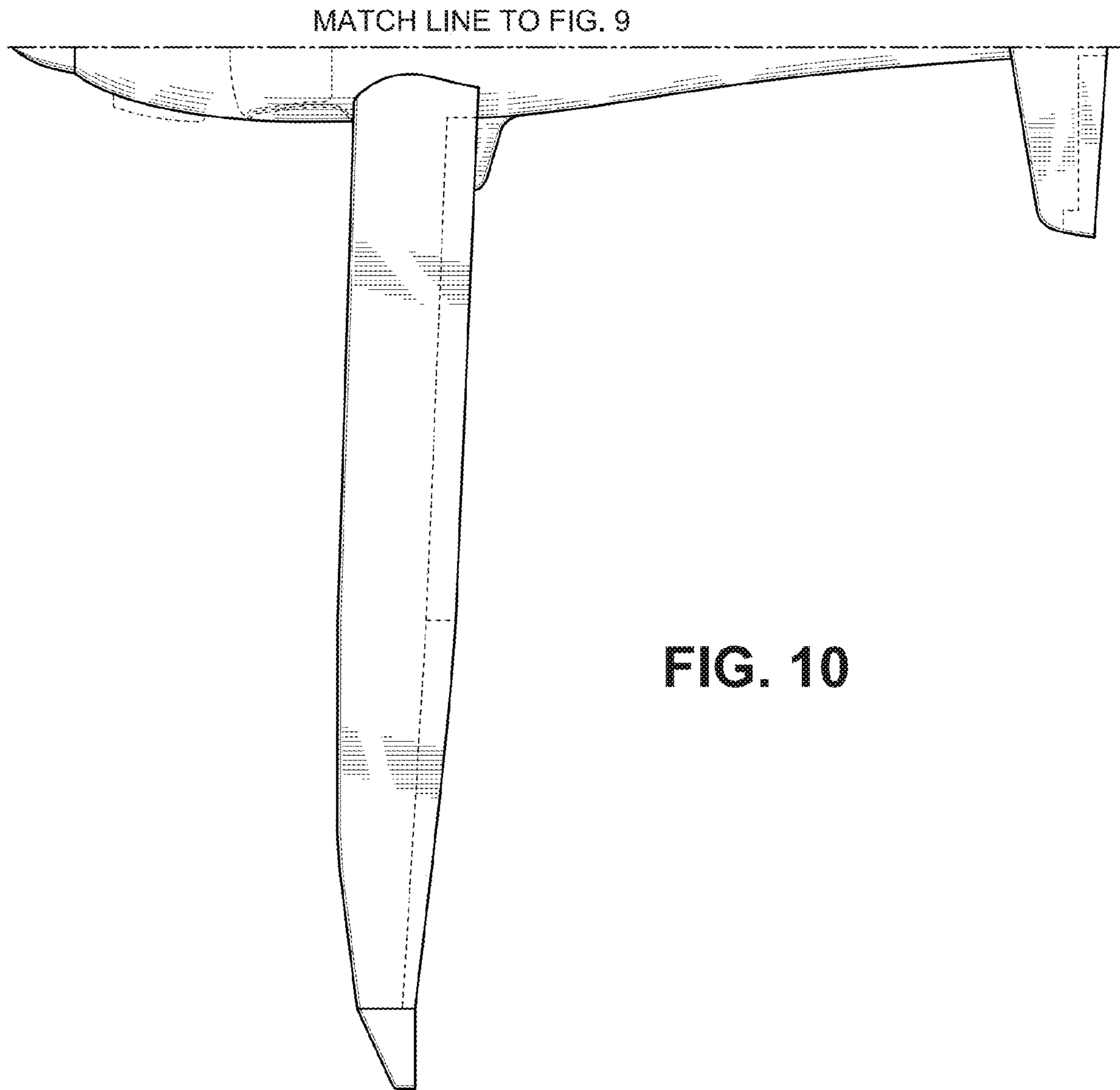


FIG. 8



MATCH LINE TO FIG. 10

FIG. 9



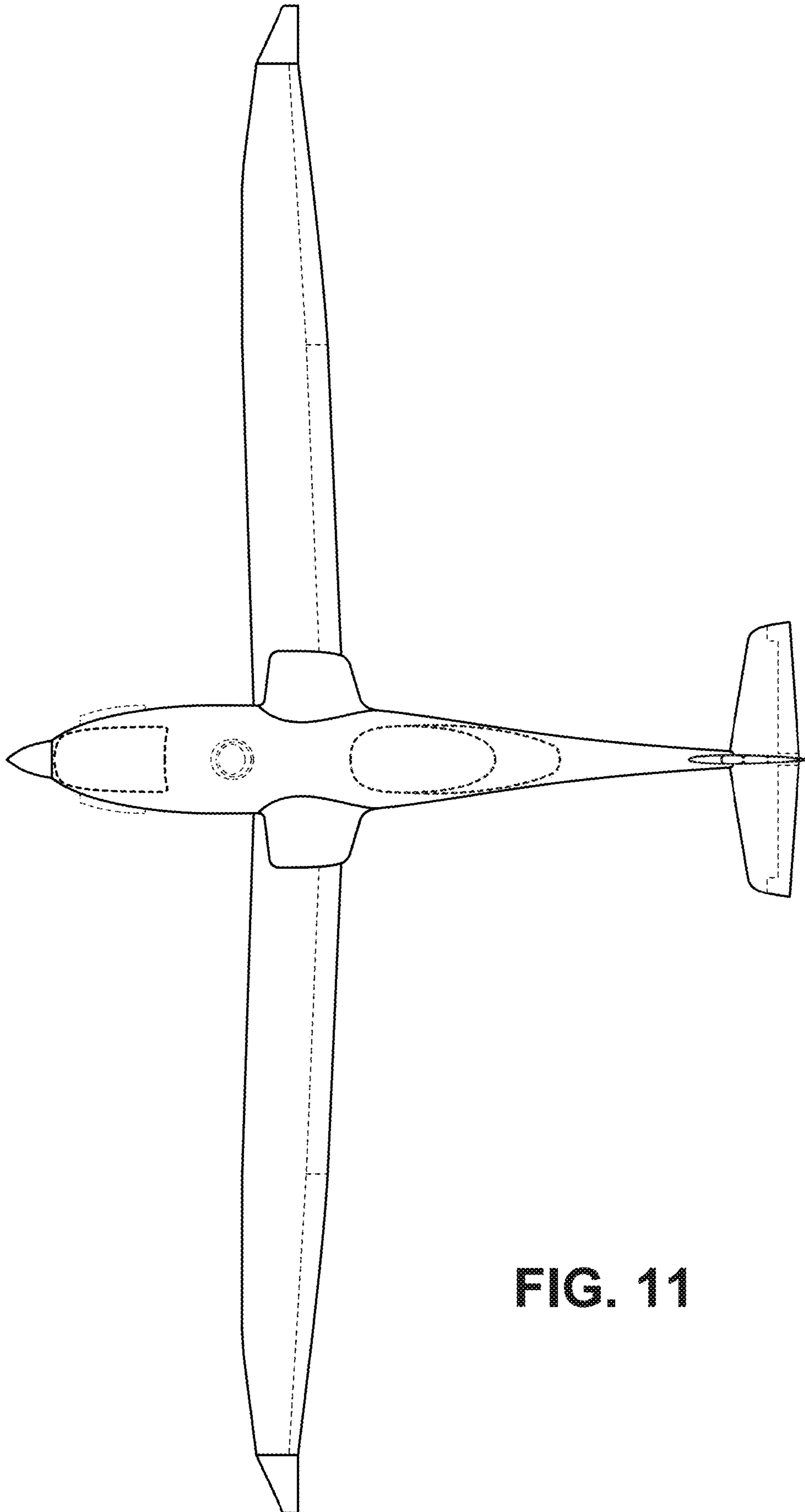
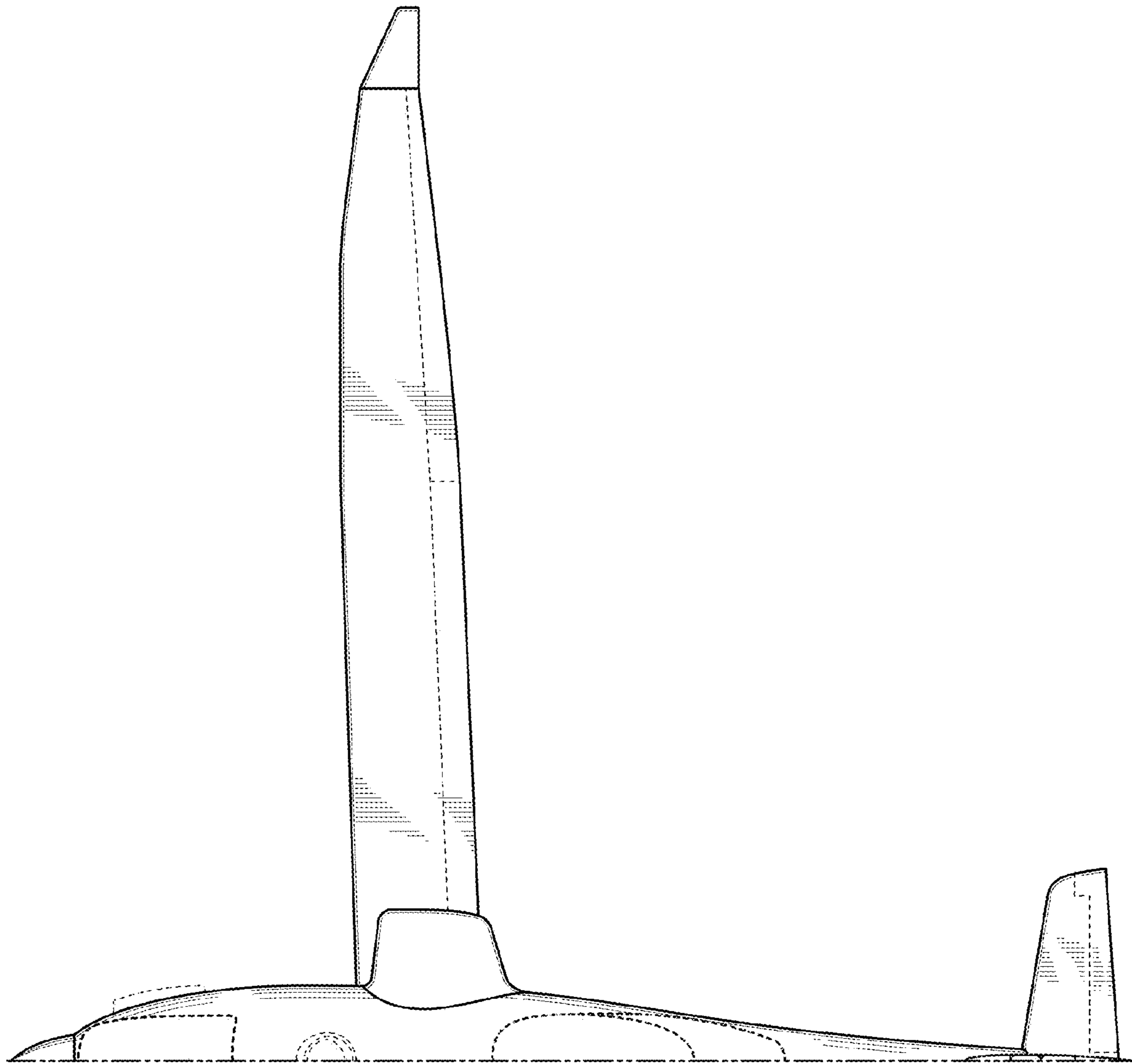


FIG. 11



MATCH LINE TO FIG. 13

FIG. 12

