



US00D897266S

(12) **United States Design Patent** (10) **Patent No.:** **US D897,266 S**
Berche et al. (45) **Date of Patent:** **** Sep. 29, 2020**

(54) **WATERCRAFT HULL**
(71) Applicant: **BOMBARDIER RECREATIONAL PRODUCTS INC., Valcourt (CA)**
(72) Inventors: **Charles-Edouard Berche, Bromont (CA); Francois Chenevert, Sherbrooke (CA)**
(73) Assignee: **BOMBARDIER RECREATIONAL PRODUCTS INC., Valcourt (CA)**
(**) Term: **15 Years**
(21) Appl. No.: **29/641,100**
(22) Filed: **Mar. 20, 2018**

D357,892 S * 5/1995 Rolland D12/300
D369,137 S * 4/1996 Maruyama D12/310
5,588,388 A * 12/1996 Maruyama B63B 1/042
114/271
D399,182 S 10/1998 LaPointe et al.
6,112,685 A 9/2000 Matsuda et al.
6,318,286 B1 * 11/2001 Nakashima B63B 1/042
114/271
D454,829 S * 3/2002 Goad D12/313
D462,931 S 9/2002 Aselton et al.
D464,015 S 10/2002 Bucaccio et al.
D464,016 S 10/2002 Orr et al.
D464,926 S 10/2002 Mizuta et al.
D476,612 S 7/2003 Bills et al.
D479,702 S 9/2003 Cassell et al.
D485,527 S 1/2004 Cassell et al.
6,843,192 B1 1/2005 Nugteren et al.
D510,900 S 10/2005 Bucaccio et al.
D511,320 S 11/2005 Bucaccio et al.

(Continued)

(30) **Foreign Application Priority Data**

Sep. 20, 2017 (CN) 2017 3 0447523

(51) **LOC (12) Cl.** **12-06**

(52) **U.S. Cl.**
USPC **D12/300**

(58) **Field of Classification Search**
USPC D12/300, 302, 303, 304, 307, 310-314,
D12/316, 317
CPC B63B 17/00; B63B 17/02; B63B 35/81;
B63B 35/816; B62B 21/04
See application file for complete search history.

(56) **References Cited**

U.S. PATENT DOCUMENTS

4,409,922 A * 10/1983 Mambretti B63B 1/20
114/283
D299,638 S * 1/1989 Ard D12/313
4,903,626 A * 2/1990 Haines B63B 1/18
114/291
D307,414 S 4/1990 LaPointe
D325,556 S 4/1992 LaPointe
D326,839 S 6/1992 LaPointe

Primary Examiner — Cynthia M. Chin

(74) *Attorney, Agent, or Firm* — BCF LLP

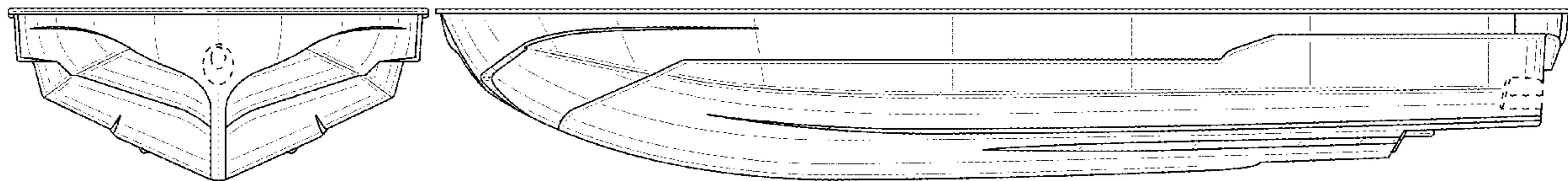
(57) **CLAIM**

The ornamental design for a watercraft hull, as shown and described.

DESCRIPTION

FIG. 1 is a front elevation view of a watercraft hull according to our design;
FIG. 2 is a rear elevation view thereof;
FIG. 3 is a left side elevation view thereof;
FIG. 4 is a right side elevation view thereof;
FIG. 5 is a top plan view thereof; and,
FIG. 6 is a bottom plan view thereof.
In the Figures, where shown: (i) the dashed lines shown are included for the purpose of illustrating portions of the article which form no part of the claimed design; and (ii) the dotted/dashed lines illustrate unclaimed boundaries of surfaces claimed as part of the design.

1 Claim, 6 Drawing Sheets



(56)

References Cited

U.S. PATENT DOCUMENTS

D513,225	S	12/2005	Omae et al.	
D516,006	S	2/2006	Bucaccio et al.	
D516,993	S	3/2006	Bucaccio et al.	
D519,437	S	4/2006	Bucaccio et al.	
D519,438	S	4/2006	Bucaccio et al.	
D519,909	S	5/2006	Bucaccio et al.	
D527,701	S	9/2006	Bucaccio et al.	
D550,603	S	9/2007	Cote et al.	
D550,605	S	9/2007	Cote et al.	
D569,781	S	5/2008	Hattori et al.	
D574,314	S	8/2008	Kato et al.	
D575,720	S	8/2008	Kato et al.	
D603,319	S	11/2009	Cote et al.	
D608,719	S	1/2010	Cote et al.	
D632,632	S	2/2011	Cote	
D636,324	S	4/2011	Cote	
D637,544	S	5/2011	Cote et al.	
D693,286	S	11/2013	Cote et al.	
D734,239	S	7/2015	Cote et al.	
2002/0100407	A1*	8/2002	Biddison	B63B 1/042 114/271
2003/0131774	A1	7/2003	Funayose et al.	
2004/0168622	A1	9/2004	Thompson et al.	

* cited by examiner

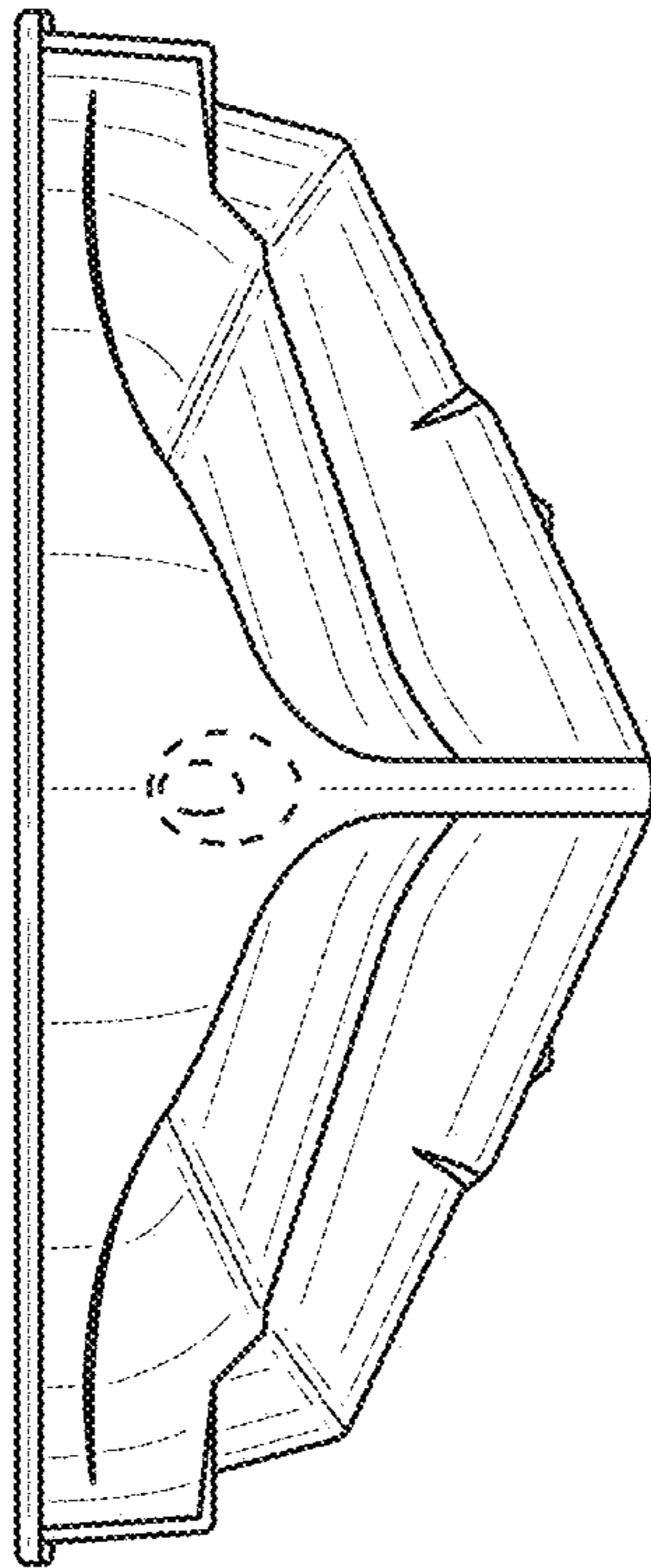


FIG. 1

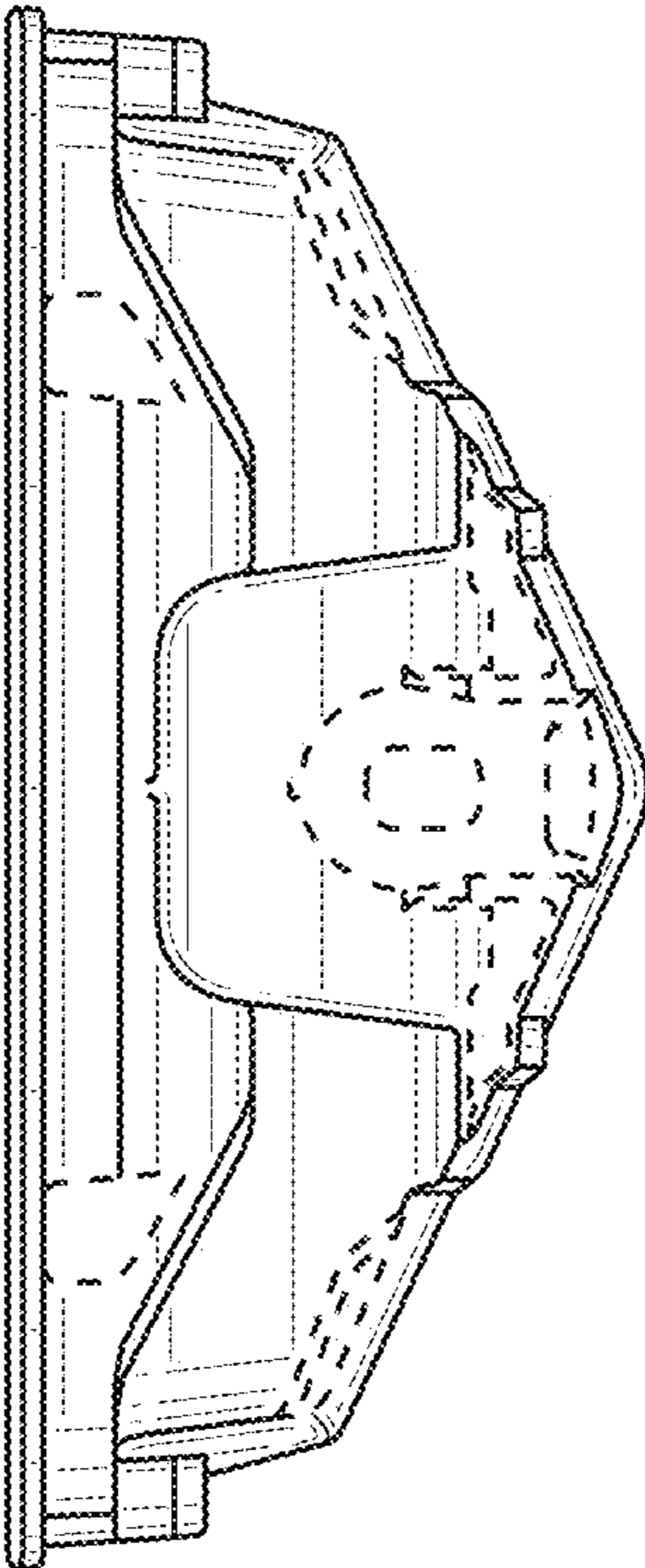


FIG. 2

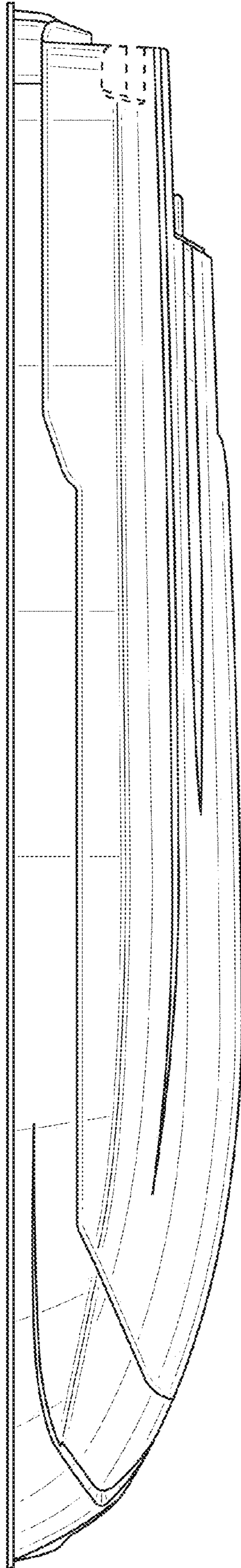


FIG. 3

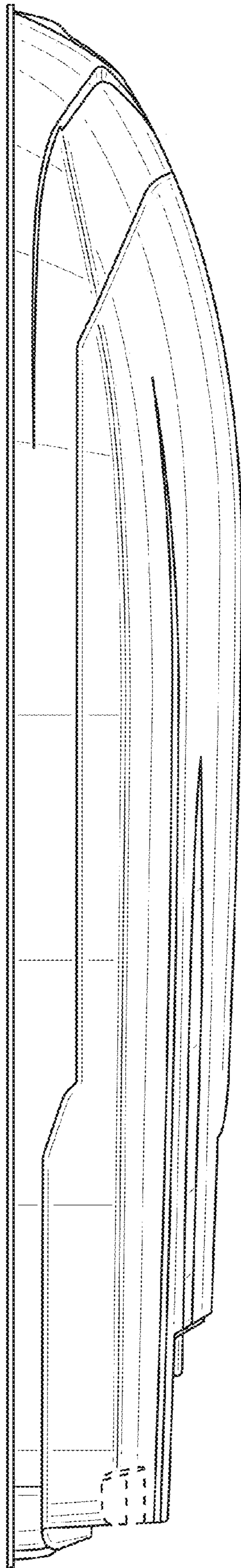


FIG. 4

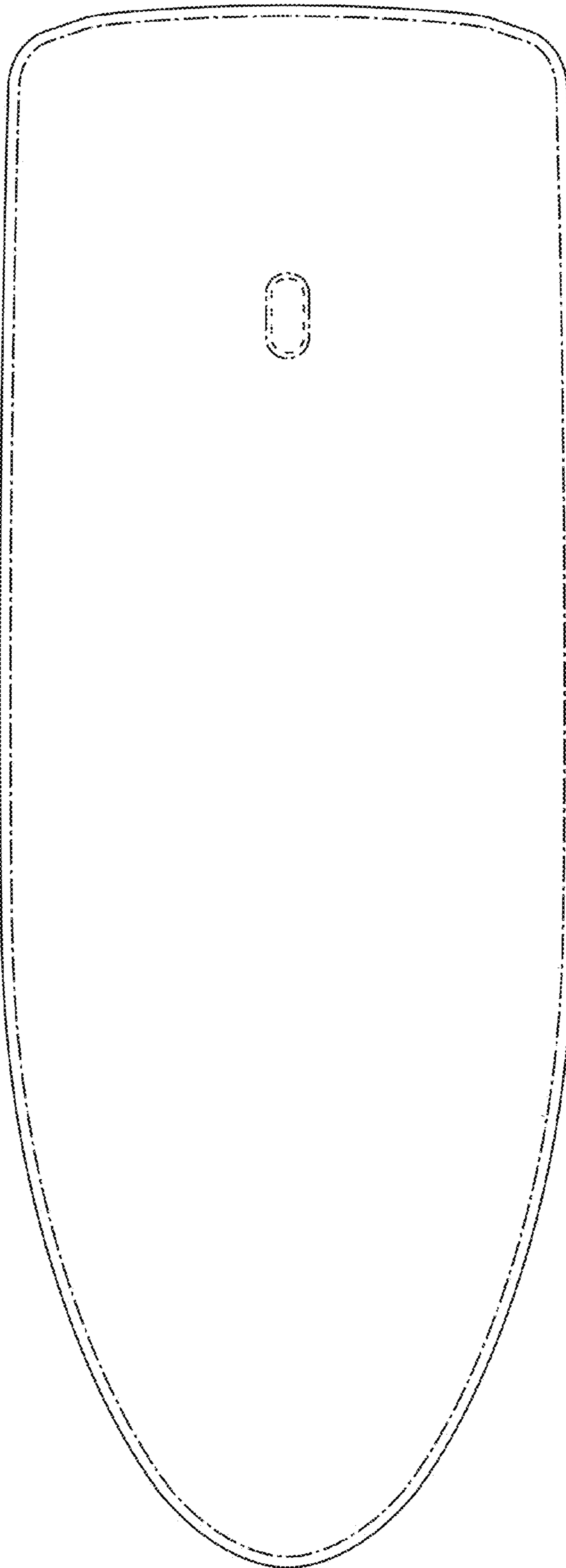


FIG. 5

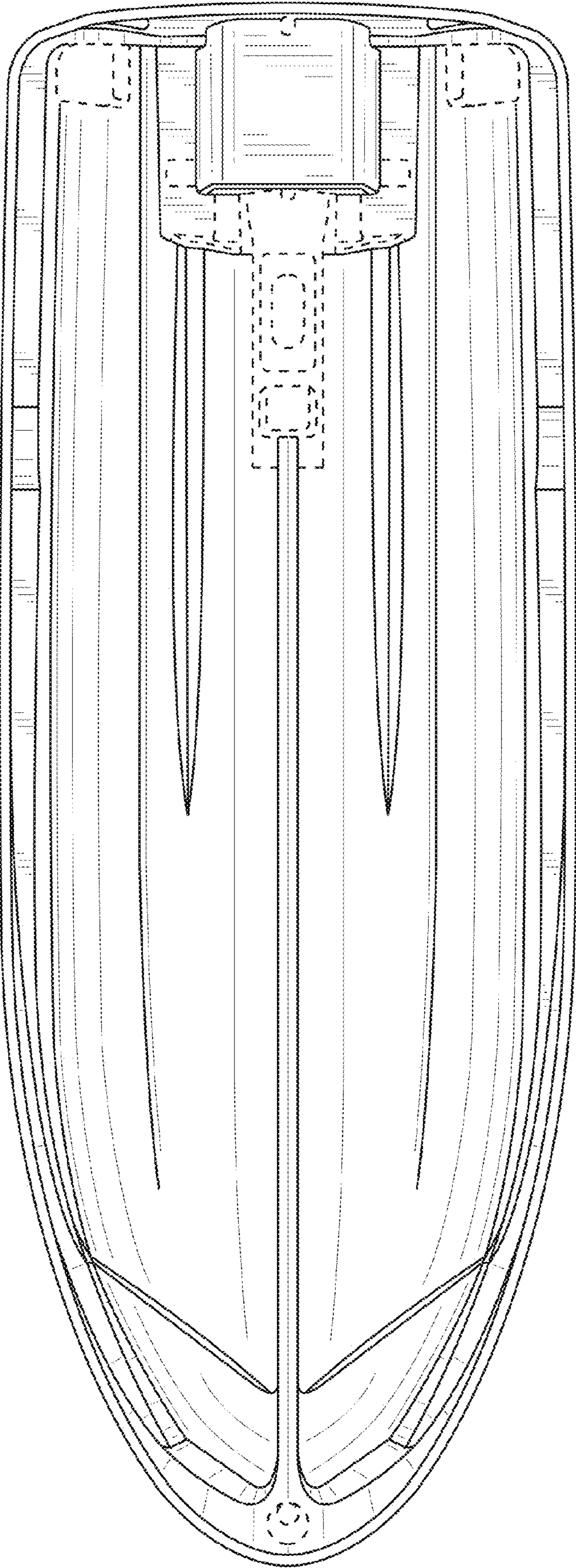


FIG. 6