



US00D897265S

(12) **United States Design Patent**
Xiao

(10) **Patent No.:** **US D897,265 S**

(45) **Date of Patent:** **** Sep. 29, 2020**

(54) **PROPELLER THROUGH-HOLE INSERT**

(71) Applicant: **Xiangshan Gemfan Hobby Co., LTD.**,
Ningbo, Zhejiang Province (CN)

(72) Inventor: **Hengzhi Xiao**, Ningbo (CN)

(73) Assignee: **XIANGSHAN GEMFAN HOBBY CO., LTD.**, Ningbo, Zhejiang (CN)

(**) Term: **15 Years**

(21) Appl. No.: **29/686,871**

(22) Filed: **Apr. 8, 2019**

(51) **LOC (12) Cl.** **12-16**

(52) **U.S. Cl.**
USPC **D12/214**

(58) **Field of Classification Search**
USPC D12/16.1, 214, 317, 319, 328, 330, 344,
D12/345, 400; D15/4, 5, 139; D21/441;
D23/411, 413, 115, 139
CPC B63H 1/20; B63H 23/34; B63H 2023/342;
B64C 27/32
See application file for complete search history.

(56) **References Cited**

U.S. PATENT DOCUMENTS

D137,473 S *	3/1944	Birsch	D12/214
D142,610 S *	10/1945	Annesley	D12/345
D202,151 S *	8/1965	Craig	D12/214
D310,812 S *	9/1990	Bergeron	D12/214
D559,919 S *	1/2008	Wedding, II	D21/437
D622,207 S *	8/2010	Pelini	D12/400

D760,308 S *	6/2016	Krishnegowda	D15/139
RE46,197 E *	11/2016	Takahashi	D15/139
D798,921 S *	10/2017	Frota de Souza Filho ..	D15/139
D832,319 S *	10/2018	Muthuswamy	D15/139
D867,412 S *	11/2019	Backman	D15/139

* cited by examiner

Primary Examiner — Michael C Stout
Assistant Examiner — Fritzgerald L Butac

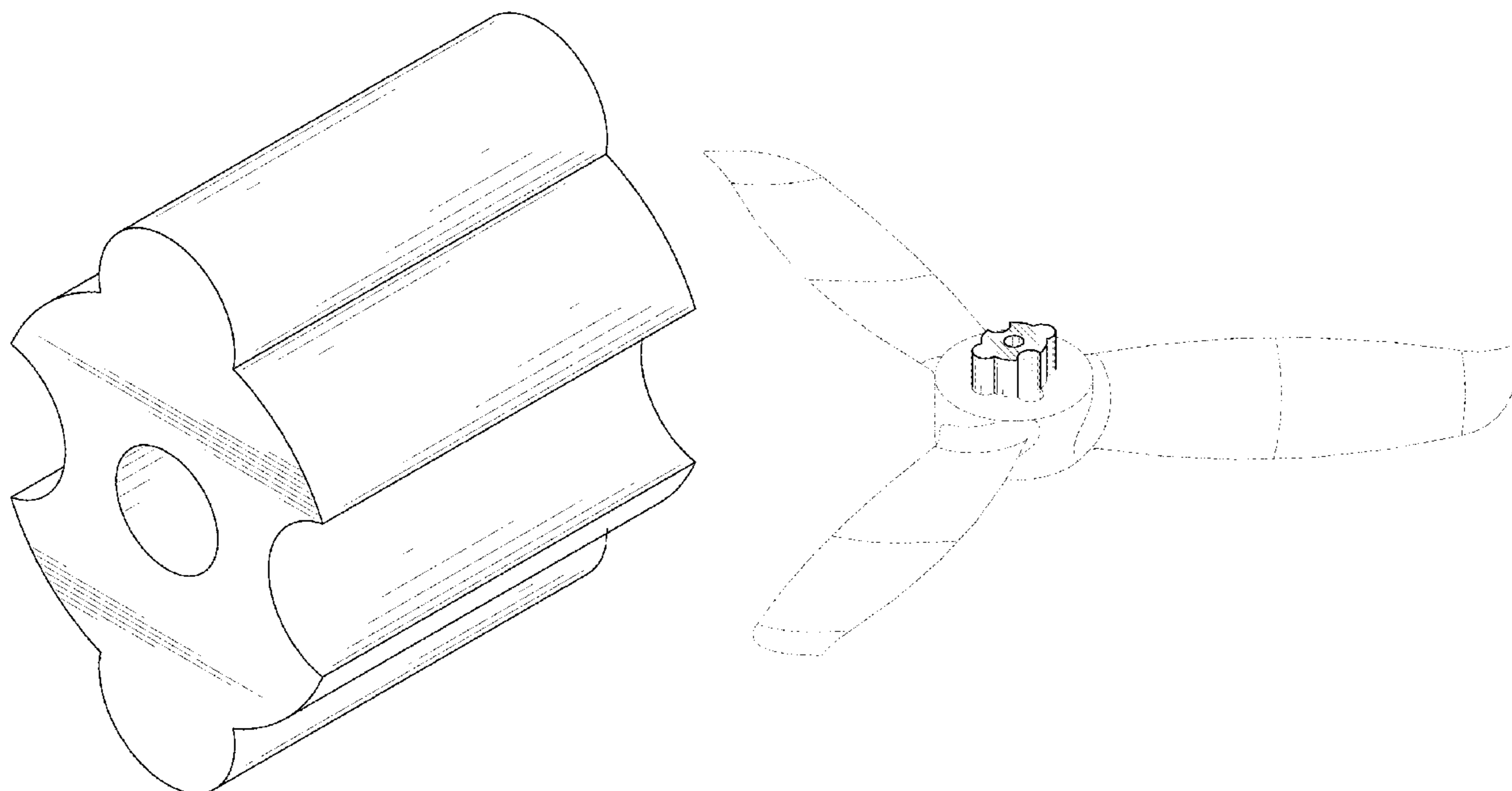
(57) **CLAIM**

I claim the ornamental design for a propeller through-hole insert, as shown and described.

DESCRIPTION

FIG. 1 is a perspective view of a propeller through-hole insert showing my new design;
FIG. 2 is a top view of the propeller through-hole insert of FIG. 1, the top view is the same as a bottom view of the propeller through-hole insert of FIG. 1, the bottom view is omitted for brevity;
FIG. 3 is a left side view of the propeller through-hole insert of FIG. 1, the left side view is the same as a right side view of the propeller through-hole insert of FIG. 1, the right side view is omitted for brevity;
FIG. 4 is a front side view of the propeller through-hole insert of FIG. 1, the front side view is the same as a back side view of the propeller through-hole insert of FIG. 1, the back side view is omitted for brevity; and,
FIG. 5 is a partially assembled view of the propeller through-hole insert of FIG. 1 into a propeller through-hole. The broken lines are for the purpose of showing environmental structure, and form no part of the claimed design.

1 Claim, 5 Drawing Sheets



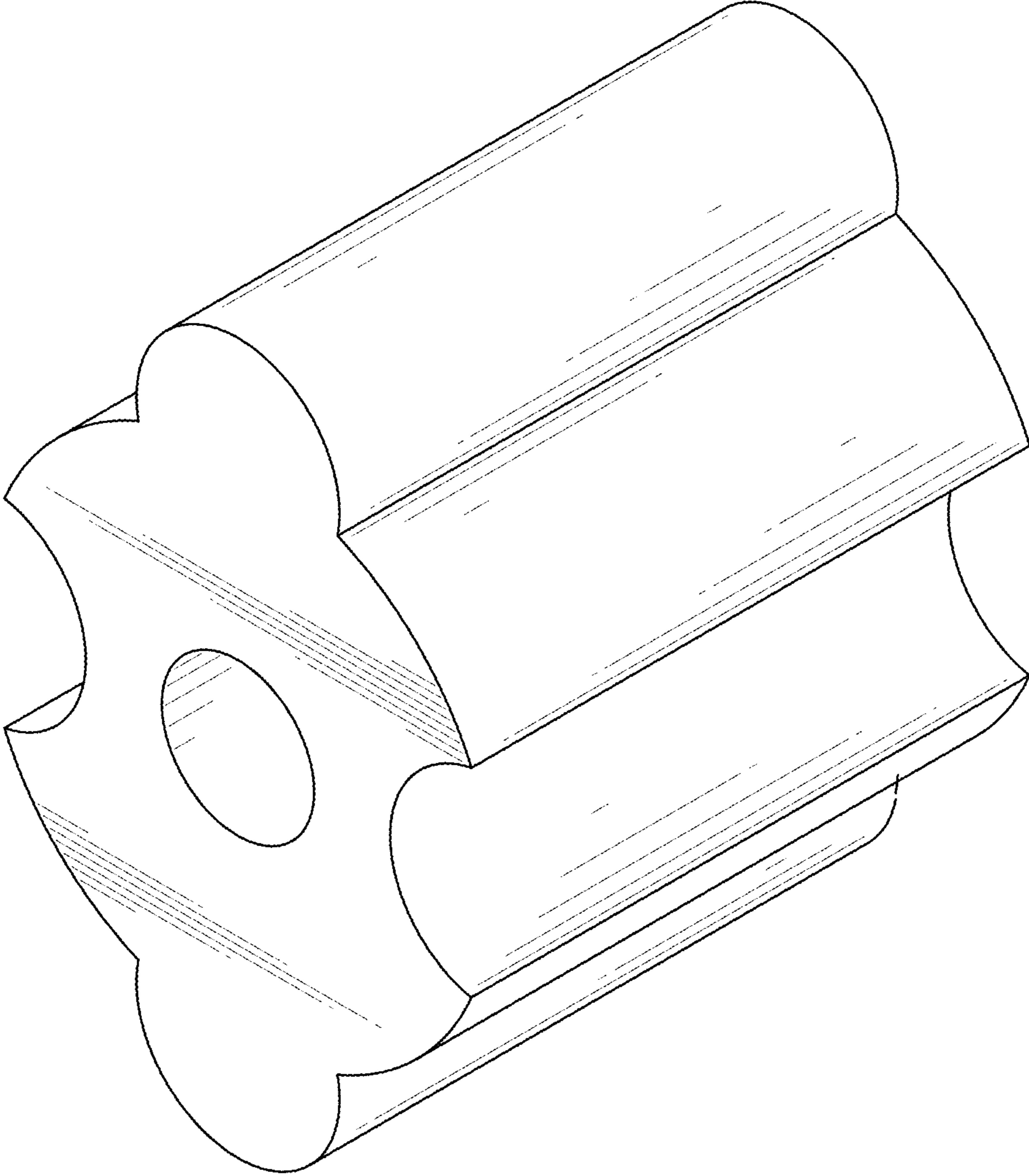


FIG. 1

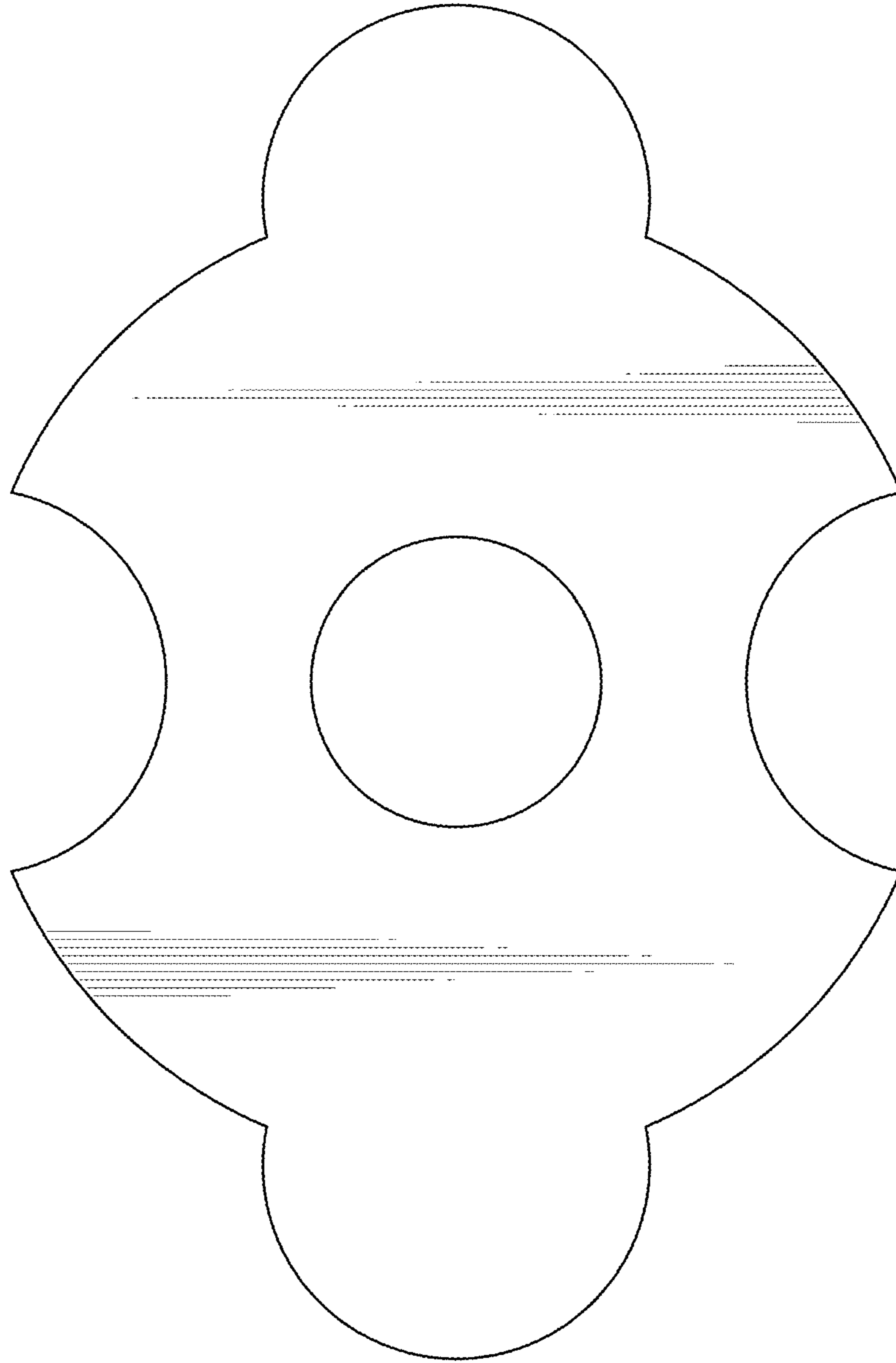


FIG. 2



FIG. 3

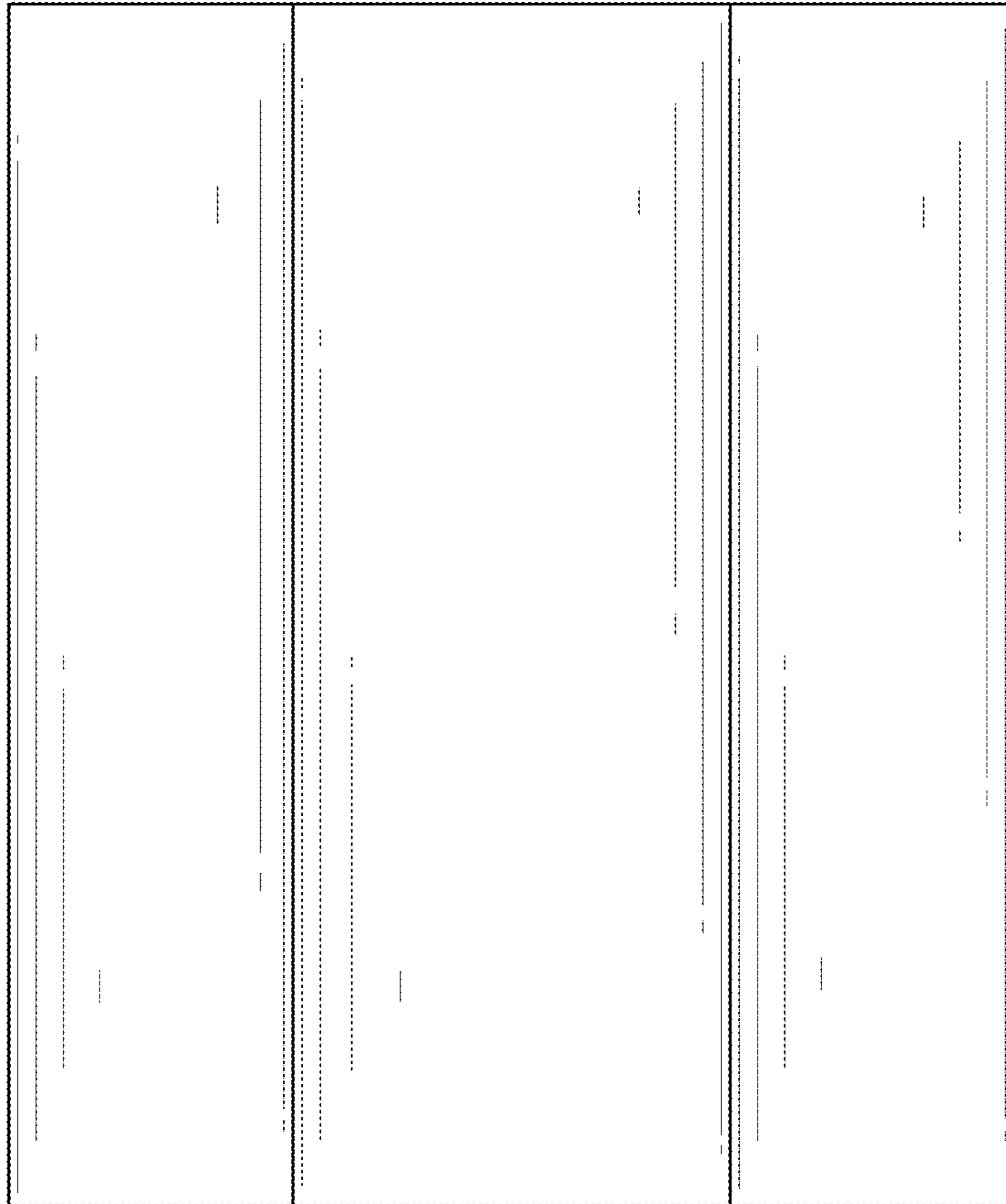


FIG. 4

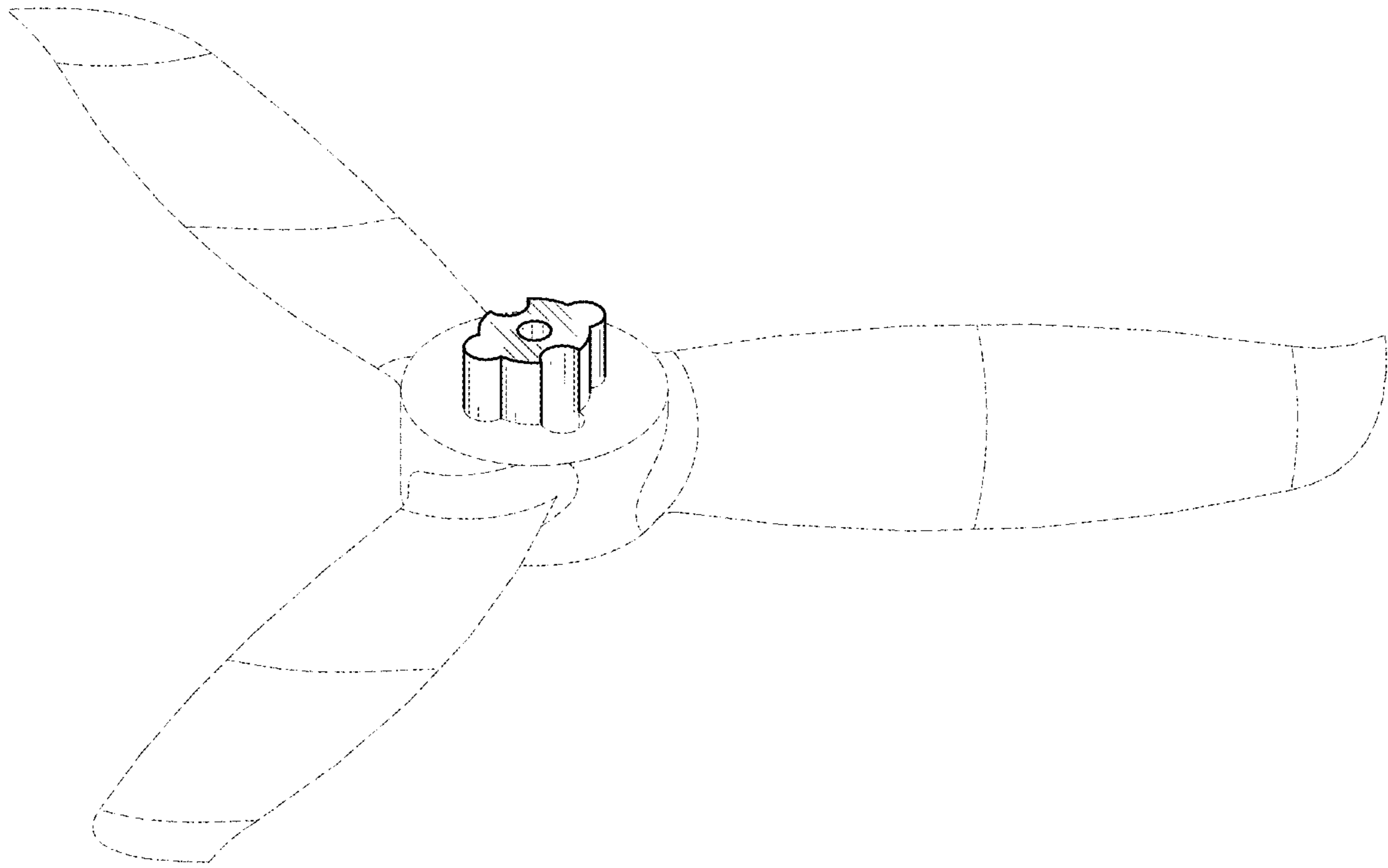


FIG. 5