



US00D897264S

(12) **United States Design Patent** (10) **Patent No.:** **US D897,264 S**
Nechaeva et al. (45) **Date of Patent:** **** Sep. 29, 2020**

(54) **SCREW PROPELLER**
(71) Applicant: **Xylem IP Management S.à r.l.**,
Senningerberg (LU)
(72) Inventors: **Tatjana Nechaeva**, Järfälla (SE); **Per Porath**, Bromma (SE)
(73) Assignee: **XYLEM EUROPE GMBH**,
Schaffhausen (CH)
(**) Term: **15 Years**
(21) Appl. No.: **29/647,952**
(22) Filed: **May 17, 2018**
(30) **Foreign Application Priority Data**
Nov. 20, 2017 (EM) 004513117-0001
(51) **LOC (12) Cl.** **12-16**
(52) **U.S. Cl.**
USPC **D12/214**
(58) **Field of Classification Search**
USPC D12/214, 317, 319, 344, 16.1, 328, 330,
D12/345; D15/4, 5; D13/115; D21/441;
D23/411, 413
CPC B64C 11/00; B64C 11/02; B64C 11/16;
B64C 27/08; B64C 39/024; B64C
2201/108; B63H 1/18; B63H 1/20; B63H
1/26
See application file for complete search history.

(56) **References Cited**
U.S. PATENT DOCUMENTS
D316,700 S * 5/1991 Morrison D12/214
5,078,632 A * 1/1992 Ogawa B63H 20/245
416/201 R
D326,080 S * 5/1992 Vartiala D12/214
D341,608 S * 11/1993 Fries D15/147

5,368,508 A * 11/1994 Whittington B63H 1/26
416/236 A
D355,252 S * 2/1995 Andersen D12/214
D368,886 S * 4/1996 Kuryliw D12/214
D393,618 S * 4/1998 Gustavsson D12/214
D401,194 S * 11/1998 Harwood D12/162
D442,906 S * 5/2001 Prokop D12/214
D457,850 S * 5/2002 Rietsch D12/214
D459,285 S * 6/2002 Rietsch D12/214
D510,998 S * 10/2005 Parker D23/411
D560,154 S * 1/2008 Aplin, Jr. D12/214
D562,215 S * 2/2008 Schulze D12/214
D576,539 S * 9/2008 Tymark D12/214
D578,460 S * 10/2008 Tymark D12/214
D658,563 S * 5/2012 Hwang D12/214
D677,612 S * 3/2013 Janecke D12/214
D696,705 S * 12/2013 Kehoe D15/147
D697,101 S * 1/2014 Kehoe D15/147
D728,442 S * 5/2015 Hawkins D12/214
D745,448 S * 12/2015 Hawkins D12/214
D801,927 S * 11/2017 Cooper, II D13/115

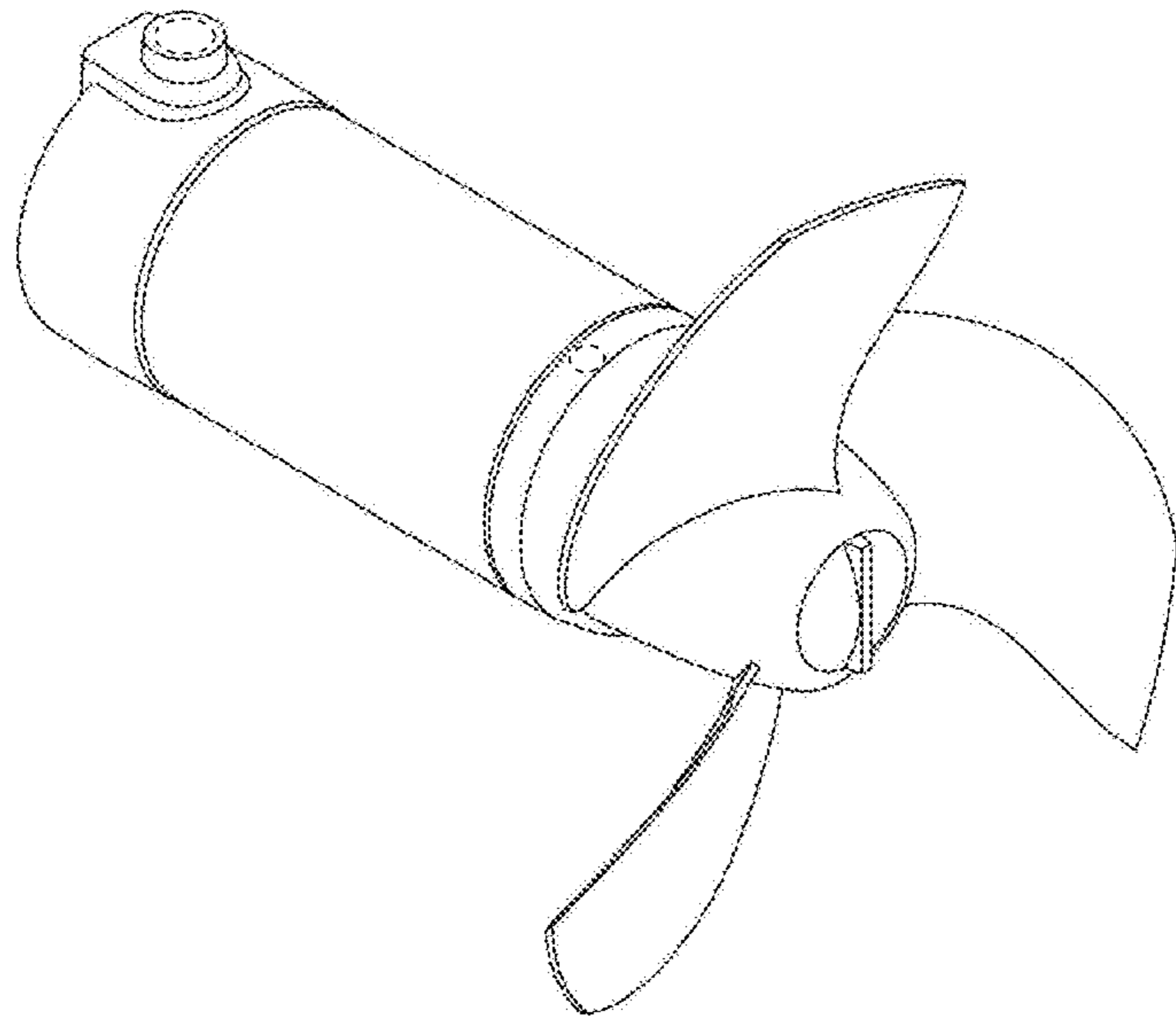
(Continued)

Primary Examiner — Michelle E. Wilson
Assistant Examiner — Clese Moore, Jr.
(74) *Attorney, Agent, or Firm* — Fox Rothschild LLP

(57) **CLAIM**
The ornamental design for screw propeller, as shown and described.

DESCRIPTION
FIG. 1 is a perspective view of screw propeller according to the new design;
FIG. 2 is a front view thereof;
FIG. 3 is a back view thereof;
FIG. 4 is a right view thereof;
FIG. 5 is a left view thereof;
FIG. 6 is a top view thereof; and,
FIG. 7 is a bottom view thereof.
The broken lines in the drawings depict portions of the screw propeller that form no part of the claimed design.

1 Claim, 7 Drawing Sheets



(56)

References Cited

U.S. PATENT DOCUMENTS

2011/0081244 A1 *	4/2011	Ro	B63H 1/14 416/176
2011/0091328 A1 *	4/2011	Powers	B63H 1/26 416/236 R

* cited by examiner

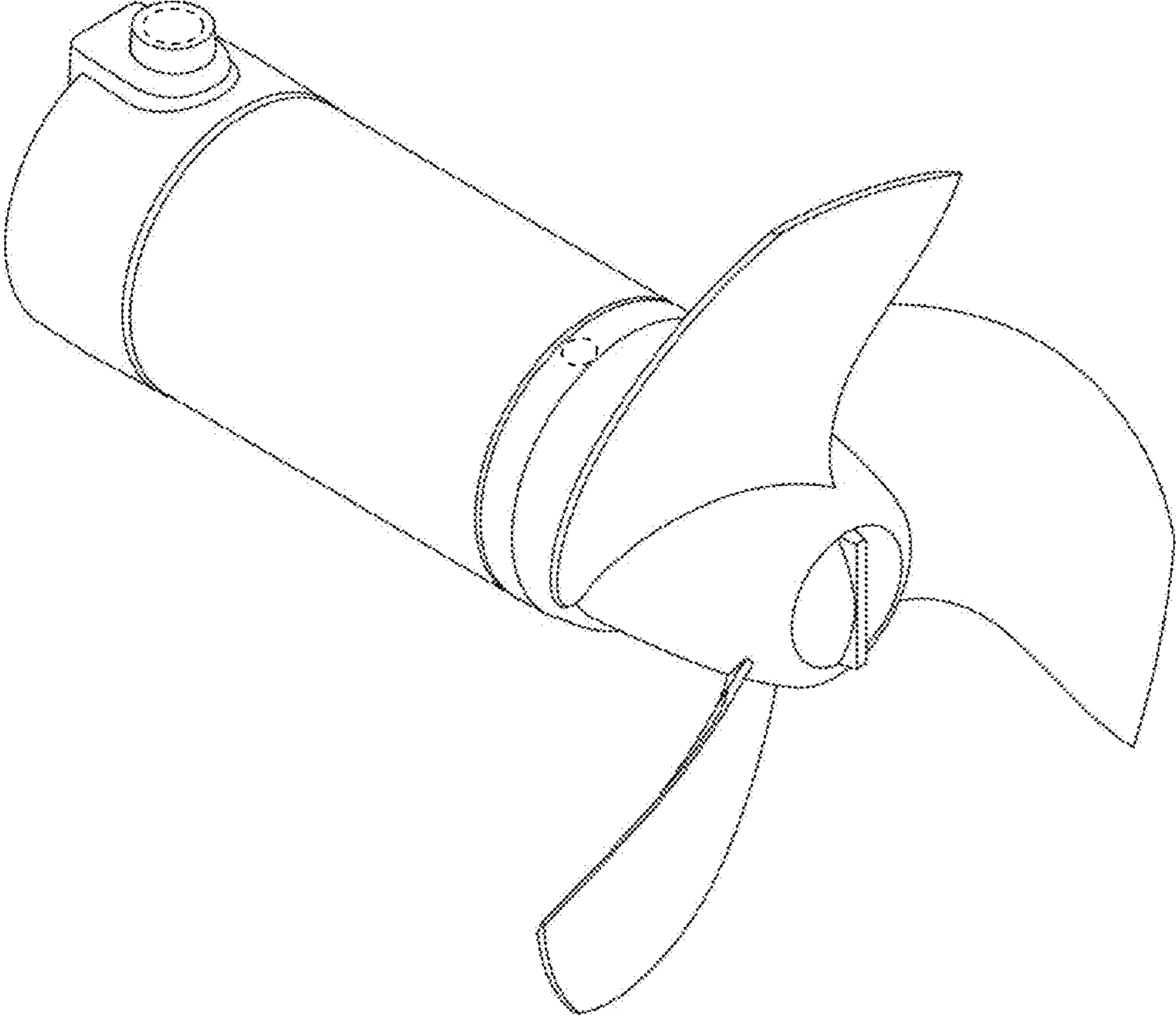


FIG. 1

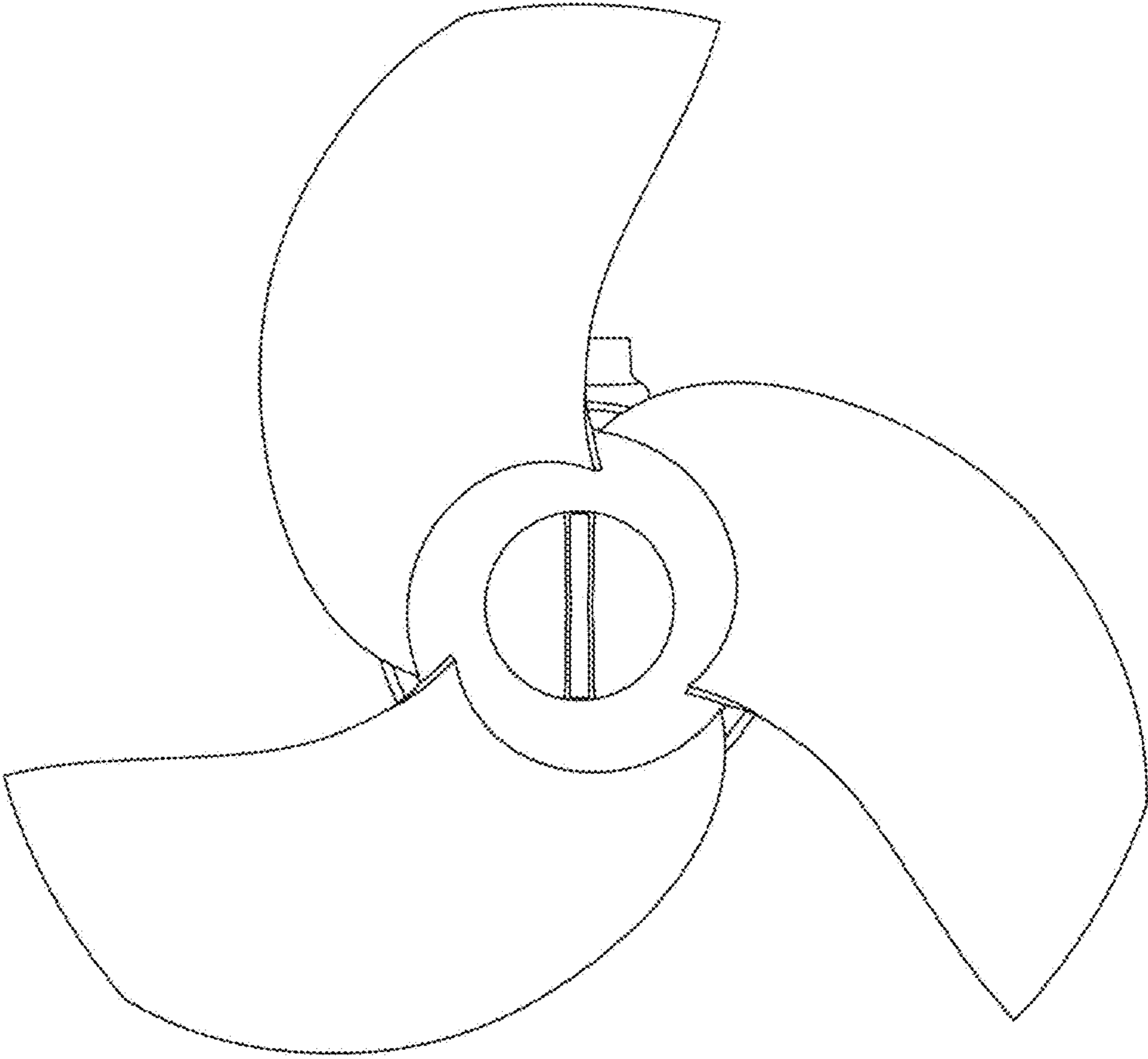


FIG. 2

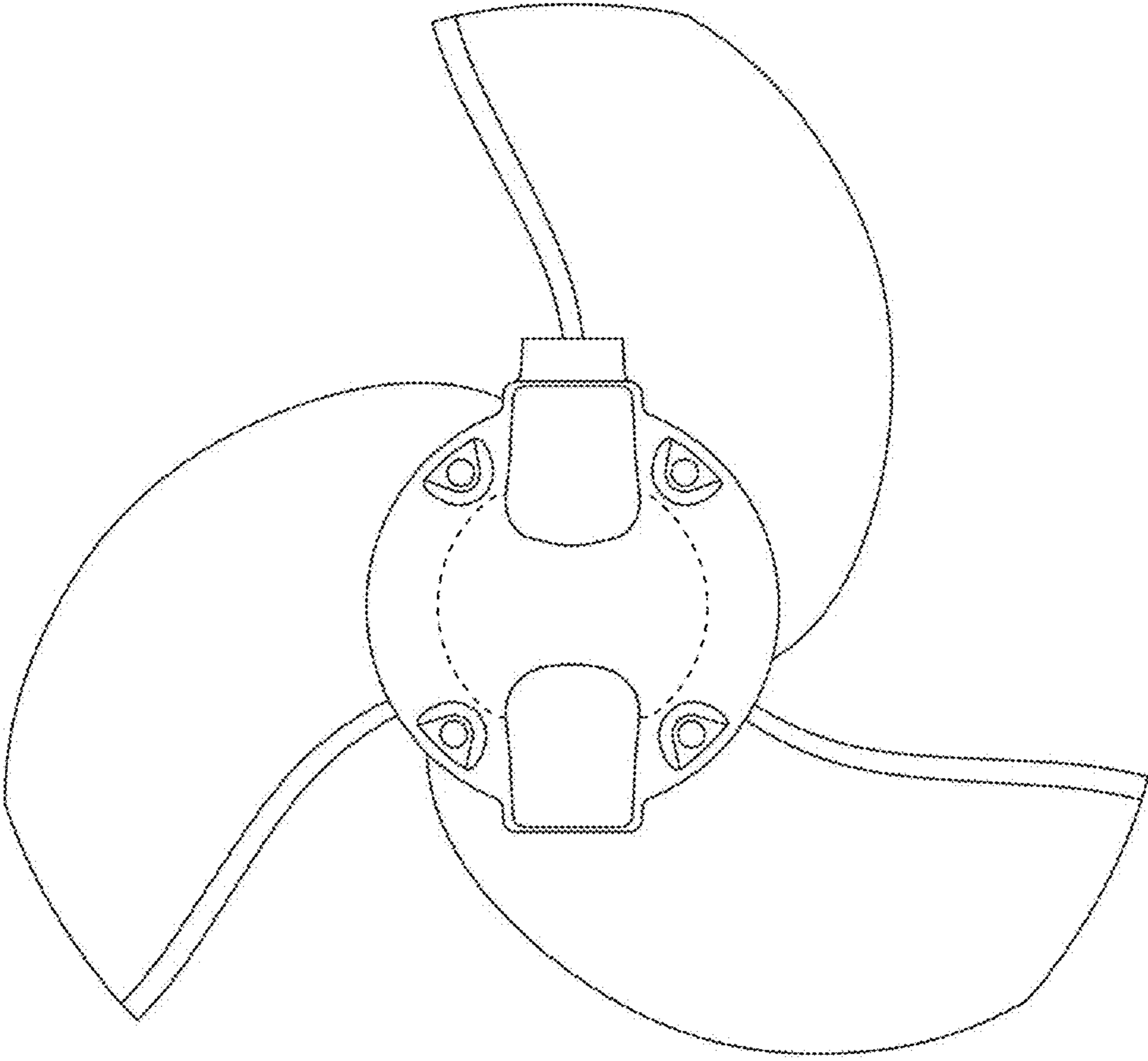


FIG. 3

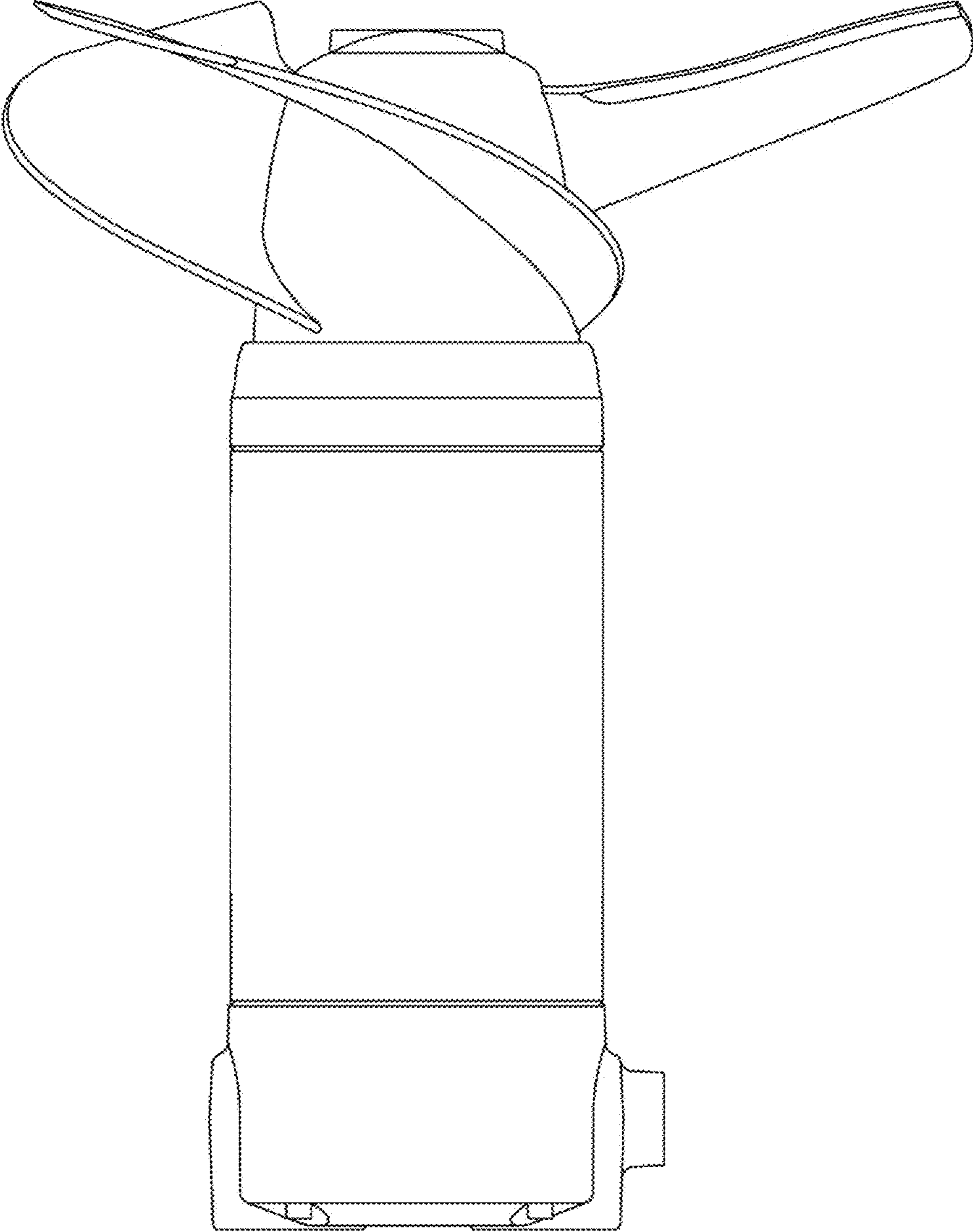


FIG. 4

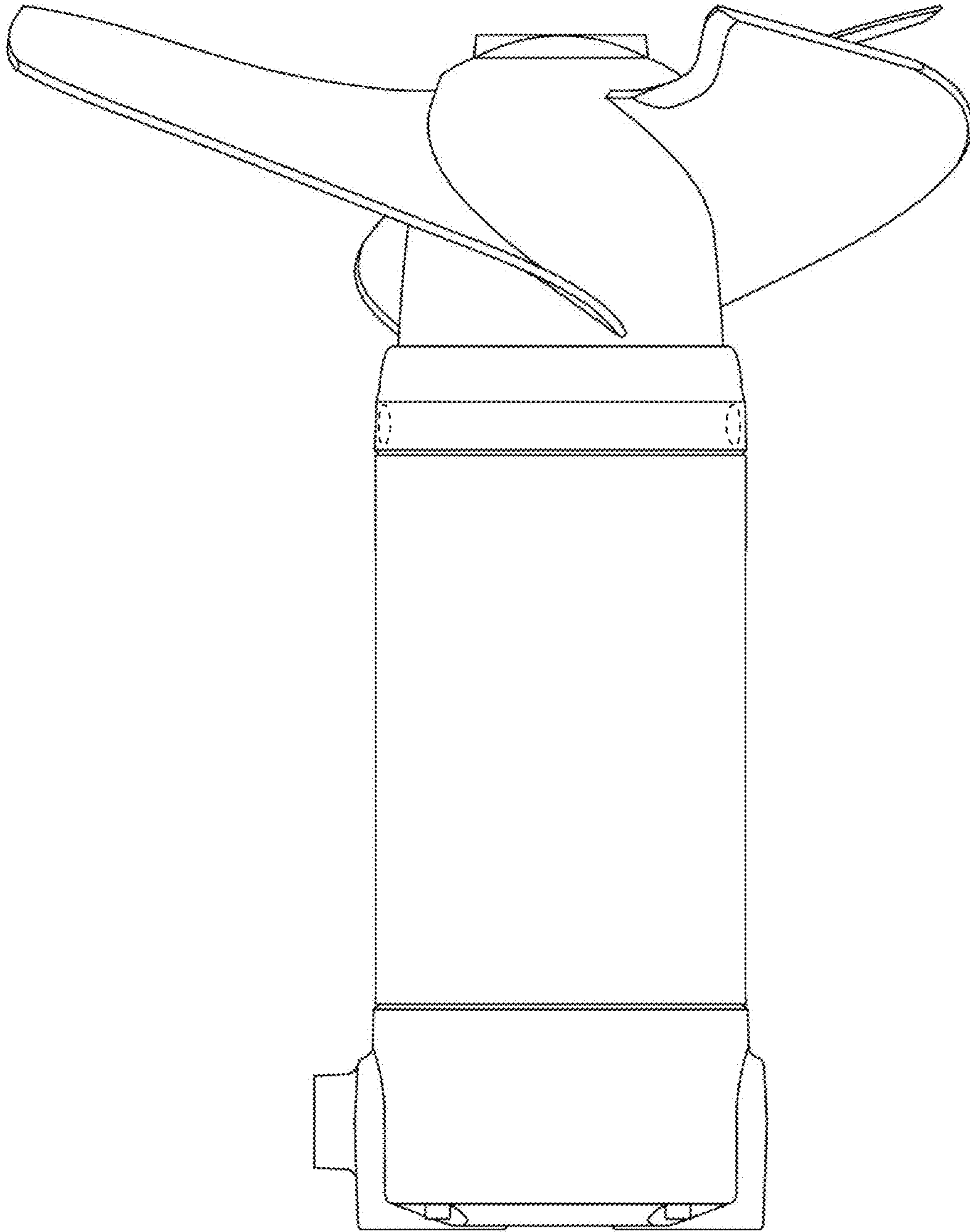


FIG. 5

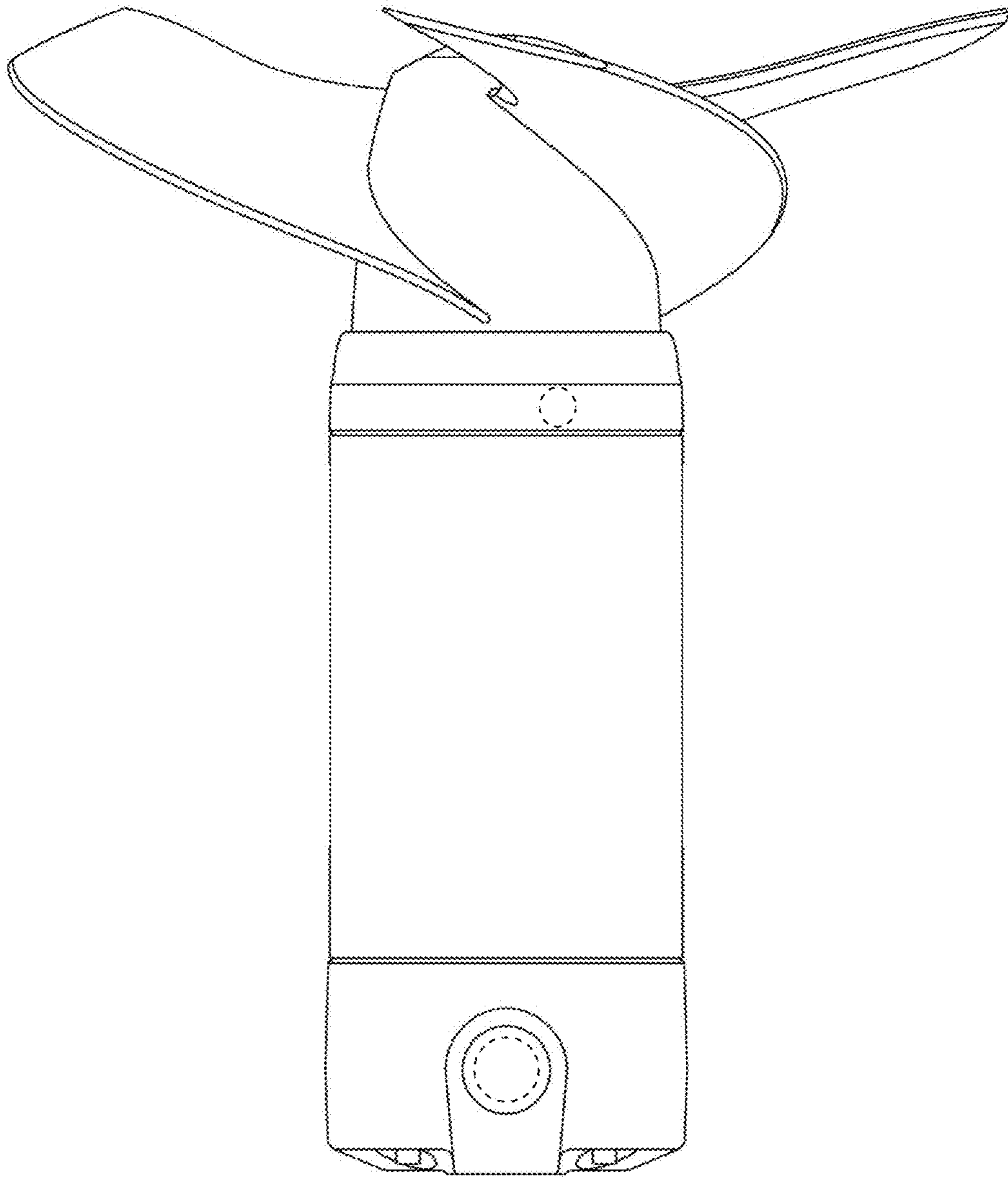


FIG. 6

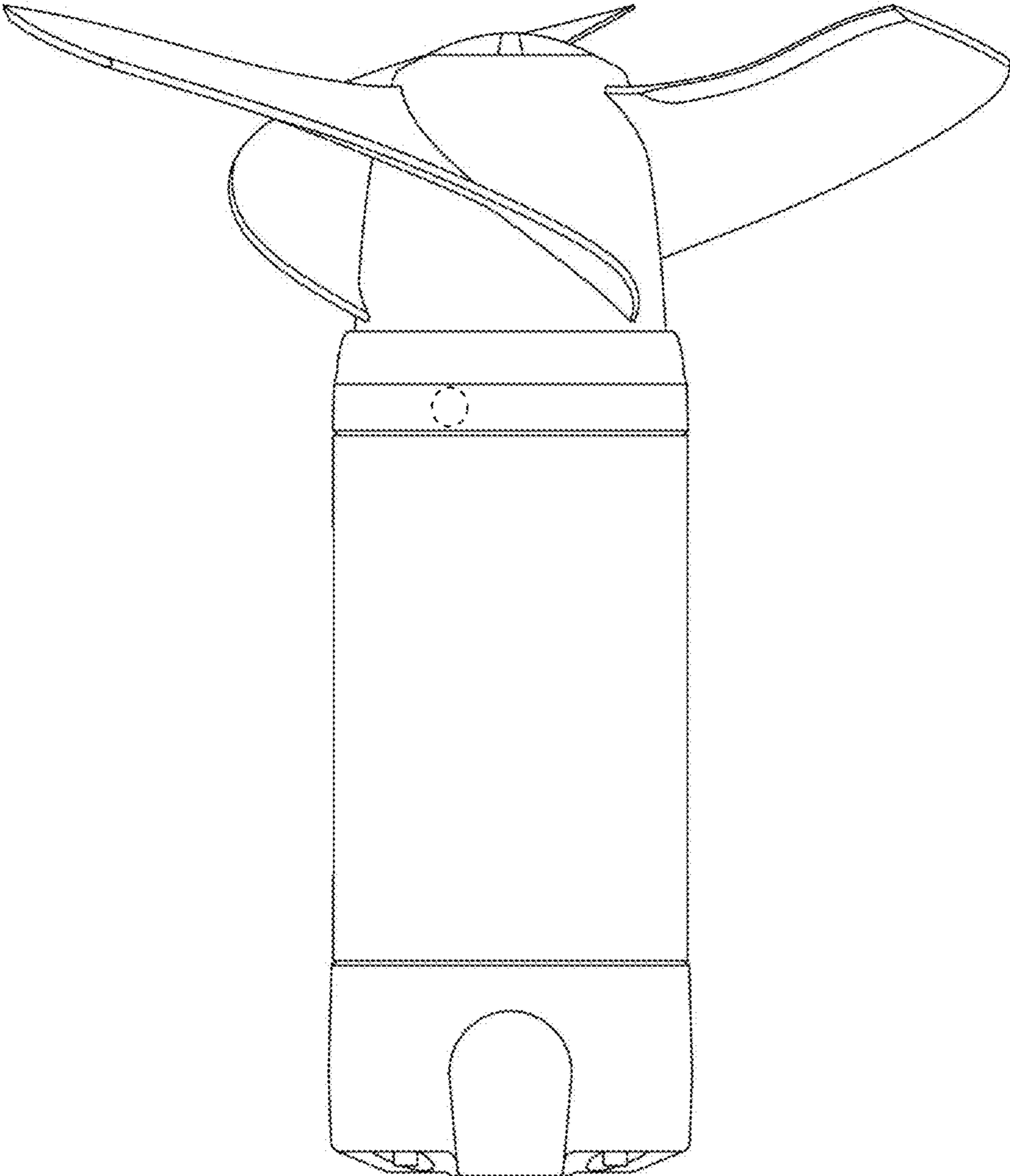


FIG. 7