



US00D897258S

(12) **United States Design Patent**
Lickliter

(10) **Patent No.:** **US D897,258 S**

(45) **Date of Patent:** **** Sep. 29, 2020**

(54) **WHEEL**

(71) Applicant: **Wheel Pros, LLC**, Greenwood Village, CO (US)

(72) Inventor: **Hans Lickliter**, Canyon Country, CA (US)

(**) Term: **15 Years**

(21) Appl. No.: **29/701,372**

(22) Filed: **Aug. 12, 2019**

(51) **LOC (12) Cl.** **12-16**

(52) **U.S. Cl.**
USPC **D12/209**

(58) **Field of Classification Search**

USPC D12/204–213; D21/563
CPC B60B 7/00; B60B 7/02; B60B 7/04; B60B 7/01; B60B 7/06; B60B 3/02; B60B 3/04; B60B 3/06; B60B 3/10; B60B 1/00; B60B 1/08; B60B 1/10; B60B 1/12

See application file for complete search history.

(56) **References Cited**

U.S. PATENT DOCUMENTS

D455,701 S * 4/2002 McMath D12/209
D478,542 S 8/2003 Sulahian
D513,486 S 1/2006 Rivera
D528,954 S 9/2006 Laengerer
D552,525 S 10/2007 Celik
D553,068 S 10/2007 Celik
D576,936 S 9/2008 Imai
D578,457 S 10/2008 Guidry
D578,947 S * 10/2008 Arora D12/209
D599,266 S 9/2009 Bierenbreier
D613,659 S 4/2010 Cortes
D619,073 S 7/2010 Groom
D620,864 S 8/2010 Groom
D620,873 S 8/2010 Groom

D625,235 S 10/2010 Nissl
D638,767 S 5/2011 Groom
D666,960 S 9/2012 Chung
D684,516 S 6/2013 Bennion
D704,116 S 5/2014 Chung
D714,705 S 10/2014 Kong
D714,706 S 10/2014 Chung
D726,628 S 4/2015 Kong
D730,799 S * 6/2015 Hans D12/209
D733,027 S 6/2015 Chung
D735,104 S 7/2015 Hodges
D739,803 S 9/2015 Miansian
D748,556 S 2/2016 Valencia Pollex
D749,030 S 2/2016 Zhao
D750,003 S 2/2016 Ahmad
D755,694 S 5/2016 Valencia Pollex
D756,287 S 5/2016 Koglin
D759,566 S * 6/2016 Valencia Pollex D12/211
D764,373 S 8/2016 Valencia Pollex
D769,166 S 10/2016 Juergens
D770,960 S 11/2016 Svensson
D775,578 S 1/2017 Johnson
D788,003 S * 5/2017 Conforzi D12/209
D791,040 S * 7/2017 Umehara D12/209
D817,247 S * 5/2018 Valencia Pollex D12/209
D826,126 S * 8/2018 Valencia Pollex D12/209

(Continued)

Primary Examiner — Stacia A Cadmus

(74) *Attorney, Agent, or Firm* — Eric Hanscom

(57) **CLAIM**

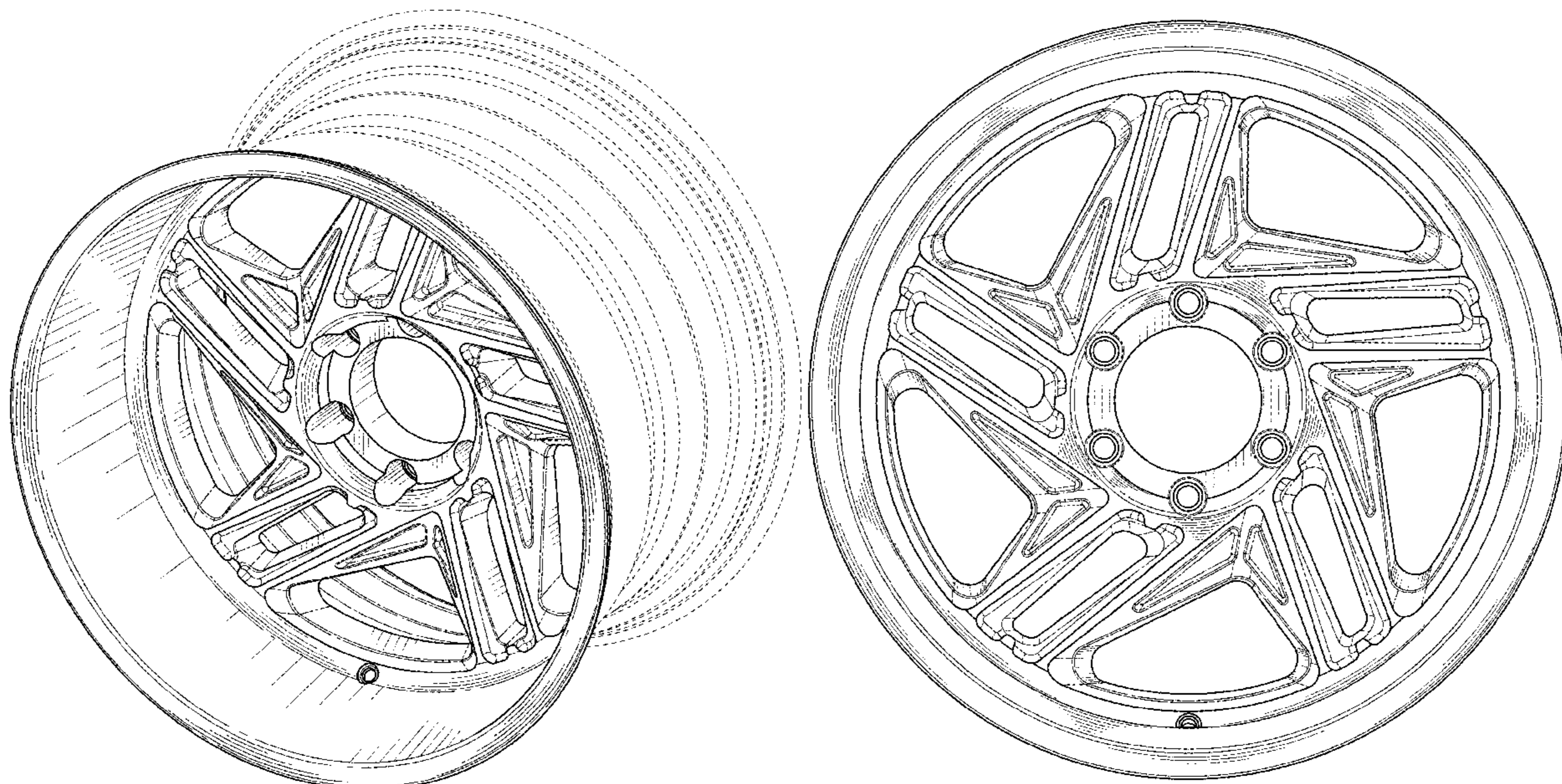
The ornamental design for a wheel, as shown and described.

DESCRIPTION

FIG. 1 is a perspective view of a wheel showing my new design; and, FIG. 2 is a front view thereof.

In the drawings, broken lines shown in the drawings depict environmental subject matter only and form no part of the claimed design.

1 Claim, 2 Drawing Sheets



(56)

References Cited

U.S. PATENT DOCUMENTS

D828,269	S	*	9/2018	Kikuchi	D12/209
D828,801	S	*	9/2018	Valencia Pollex	D12/209
D838,224	S	*	1/2019	Valencia Pollex	D12/209
D838,650	S	*	1/2019	Han	D12/209
D840,900	S	*	2/2019	Lickliter	D12/211
D858,409	S	*	9/2019	Kolb	D12/209
D867,957	S	*	11/2019	Kato	D12/209
D870,628	S	*	12/2019	Bjerke	D12/209
D872,670	S	*	1/2020	Yeh	D12/209
D878,991	S	*	3/2020	Tomasson	D12/209
D879,002	S	*	3/2020	Daniel	D12/209
D879,695	S	*	3/2020	Daniel	D12/209
D881,779	S	*	4/2020	Tomasson	D12/209

* cited by examiner

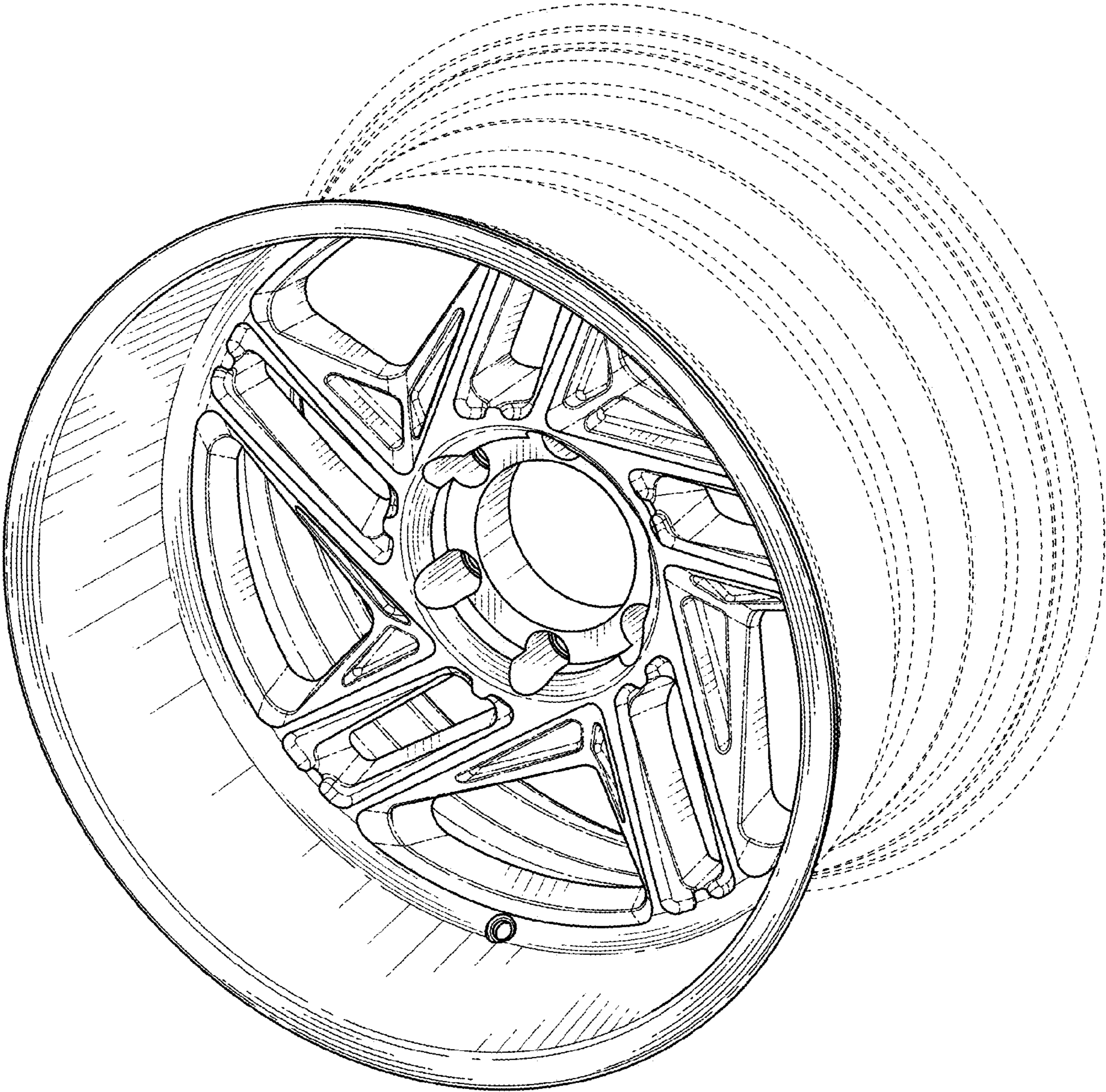


FIG. 1

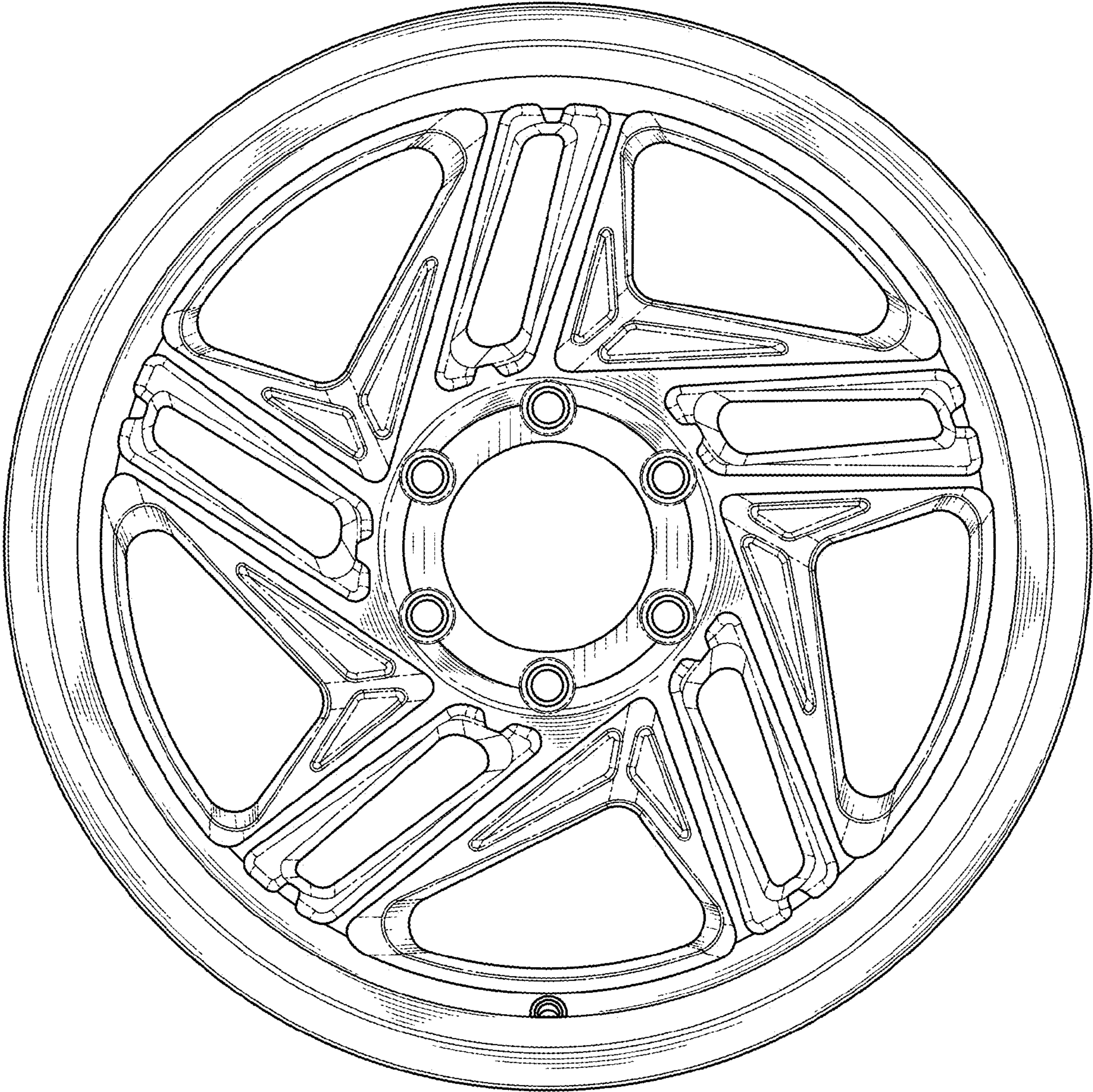


FIG. 2