



US00D897257S

(12) **United States Design Patent**
Tran

(10) **Patent No.:** **US D897,257 S**

(45) **Date of Patent:** **** Sep. 29, 2020**

(54) **WHEEL**

(71) Applicant: **Wheel Pros, LLC**, Greenwood Village,
CO (US)

(72) Inventor: **Peter Tran**, Buena Park, CA (US)

(**) Term: **15 Years**

(21) Appl. No.: **29/699,690**

(22) Filed: **Jul. 29, 2019**

(51) **LOC (12) Cl.** **12-16**

(52) **U.S. Cl.**
USPC **D12/209**

(58) **Field of Classification Search**
USPC D12/204–213; D21/563
CPC B60B 7/00; B60B 7/02; B60B 7/04; B60B
7/01; B60B 7/06; B60B 3/02; B60B 3/04;
B60B 3/06; B60B 3/10; B60B 1/00;
B60B 1/08; B60B 1/10; B60B 1/12

See application file for complete search history.

(56) **References Cited**

U.S. PATENT DOCUMENTS

D478,542 S	8/2003	Sulahian	
D513,486 S	1/2006	Rivera	
D522,430 S *	6/2006	Nordmann	D12/209
D528,954 S	9/2006	Laengerer	
D552,525 S	10/2007	Celik	
D553,068 S	10/2007	Celik	
D576,936 S	9/2008	Imai	
D578,457 S	10/2008	Guidry	
D599,266 S	9/2009	Bierenbreier	
D613,659 S	4/2010	Cortes	
D618,149 S *	6/2010	Antoniadis	D12/209
D619,073 S	7/2010	Groom	
D620,864 S	8/2010	Groom	
D620,873 S	8/2010	Groom	
D625,235 S	10/2010	Nissl	

D638,767 S	5/2011	Groom	
D649,502 S *	11/2011	Platto	D12/209
D660,765 S *	5/2012	Gotschke	D12/209
D666,960 S	9/2012	Chung	
D667,767 S *	9/2012	Gotschke	D12/209
D678,155 S *	3/2013	Gotschke	D12/209
D684,516 S	6/2013	Bennion	
D704,116 S	5/2014	Chung	
D714,705 S	10/2014	Kong	
D714,706 S	10/2014	Chung	
D726,628 S	4/2015	Kang	
D727,233 S *	4/2015	Kong	D12/209
D733,027 S	6/2015	Chung	
D735,104 S	7/2015	Hodges	
D739,803 S	9/2015	Miansian	
D748,556 S	2/2016	Valencia Pollex	
D749,030 S	2/2016	Zhao	
D750,003 S	2/2016	Ahmad	
D755,694 S	5/2016	Valencia Pollex	
D756,287 S	5/2016	Koglin	
D764,373 S	8/2016	Valencia Pollex	
D769,166 S	10/2016	Juergens	
D770,960 S	11/2016	Svensson	
D775,578 S	1/2017	Johnson	
D790,420 S *	6/2017	Peat	D12/209
D821,284 S *	6/2018	Tran	D12/209

(Continued)

Primary Examiner — Stacia A Cadmus

(74) *Attorney, Agent, or Firm* — Eric Hanscom

(57) **CLAIM**

The ornamental design for a wheel, as shown and described.

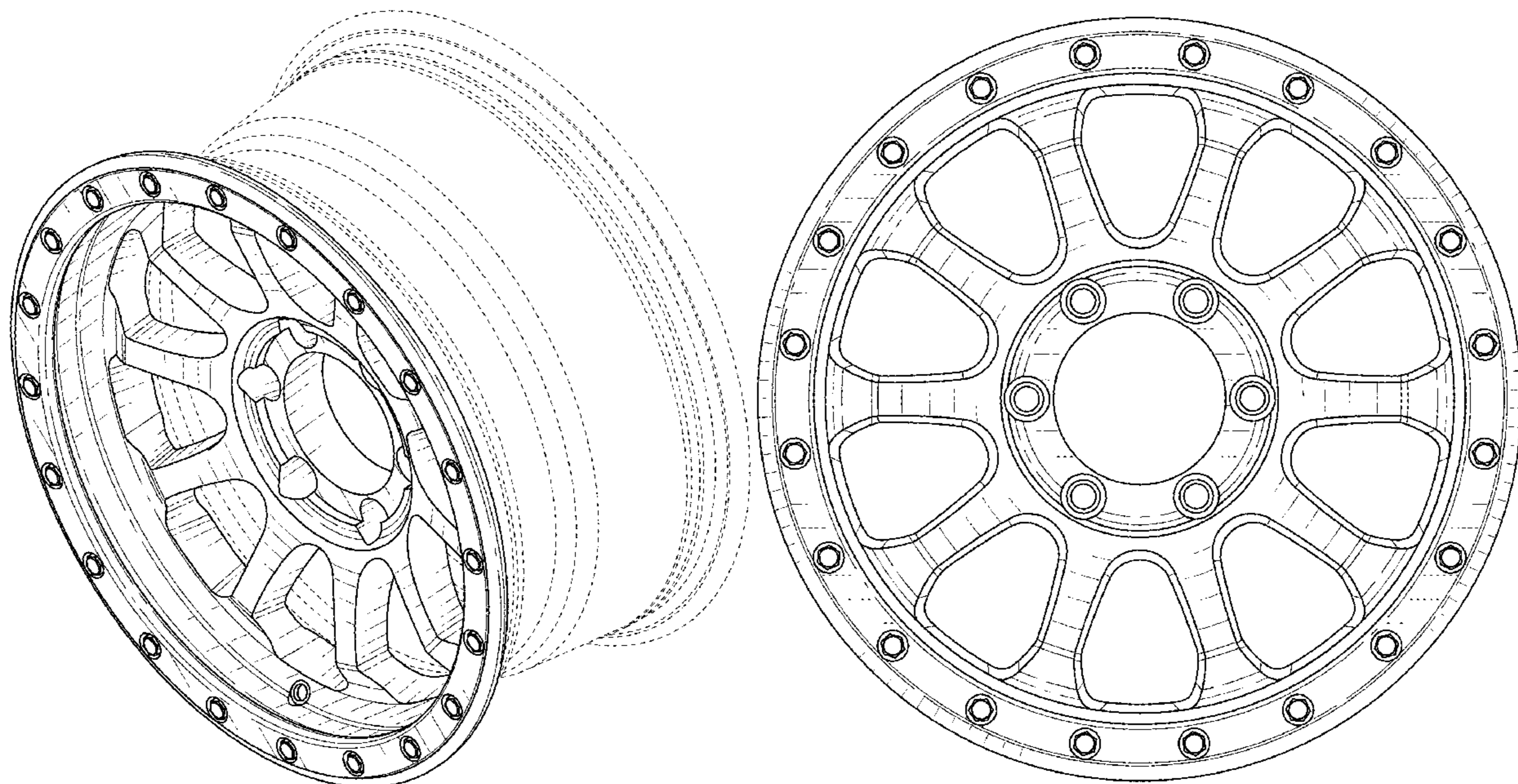
DESCRIPTION

FIG. 1 is a perspective view of a wheel showing my new design; and,

FIG. 2 is a front view thereof.

In the drawings, broken lines shown in the drawings depict environmental subject matter only and form no part of the claimed design.

1 Claim, 2 Drawing Sheets



(56)

References Cited

U.S. PATENT DOCUMENTS

D826,827 S	*	8/2018	Tran	D12/209
D835,023 S	*	12/2018	Tran	D12/209
D890,063 S	*	7/2020	Platto	D12/209

* cited by examiner

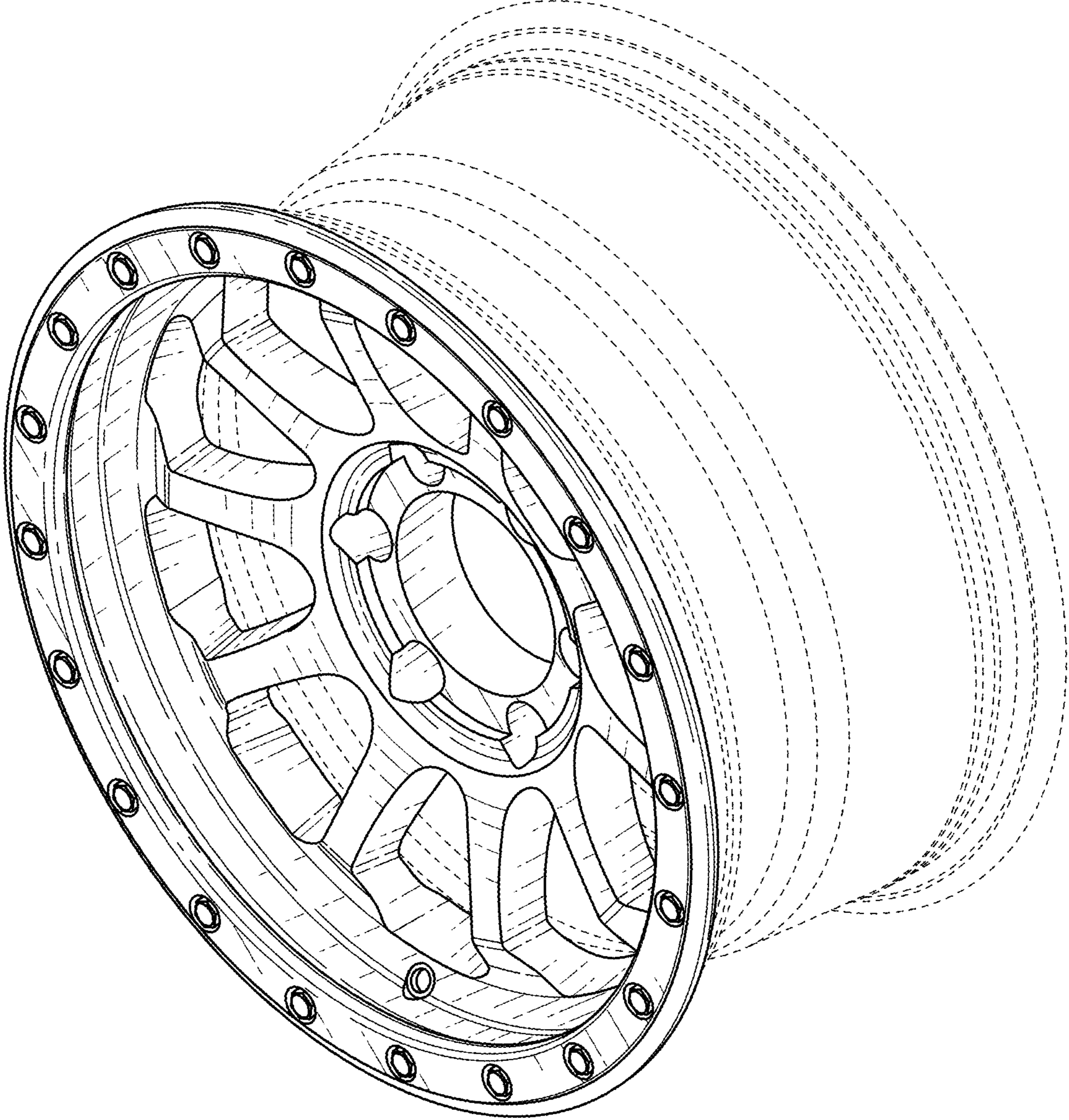


FIG. 1

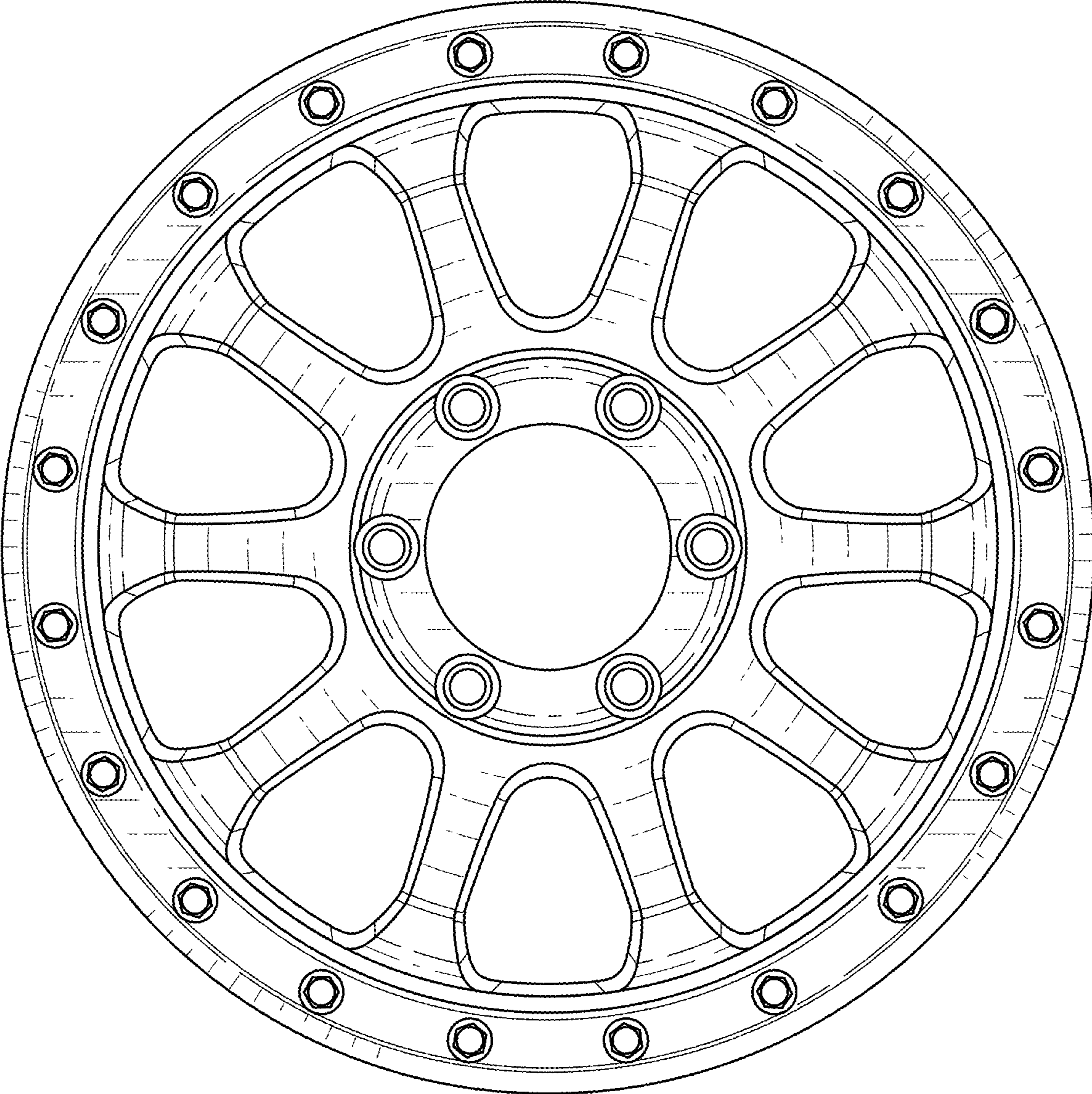


FIG. 2