



US00D897256S

(12) **United States Design Patent**
Han

(10) **Patent No.:** **US D897,256 S**

(45) **Date of Patent:** **** Sep. 29, 2020**

(54) **AUTOMOTIVE WHEEL**

(71) Applicant: **Donnie Han**, Corona, CA (US)

(72) Inventor: **Donnie Han**, Corona, CA (US)

(**) Term: **15 Years**

(21) Appl. No.: **29/690,960**

(22) Filed: **May 13, 2019**

(51) **LOC (12) Cl.** **12-16**

(52) **U.S. Cl.**

USPC **D12/209**

(58) **Field of Classification Search**

USPC D12/204–213; D21/563

CPC B60B 7/00; B60B 7/02; B60B 7/04; B60B

7/01; B60B 7/06; B60B 3/02; B60B 3/04;

B60B 3/06; B60B 3/10; B60B 1/00;

B60B 1/08; B60B 1/10; B60B 1/12

See application file for complete search history.

(56) **References Cited**

U.S. PATENT DOCUMENTS

D416,850 S *	11/1999	Cohen	D12/211
D464,009 S *	10/2002	Laengerer	D12/211
D525,930 S *	8/2006	Matsumoto	D12/211
D543,923 S *	6/2007	Hieke	D12/211
D626,488 S *	11/2010	Yoon	D12/211
D655,662 S *	3/2012	Stucki	D12/211
D666,959 S *	9/2012	Lucaora	D12/211
D697,014 S *	1/2014	Stolz	D12/211

D706,693 S *	6/2014	Stolz	D12/209
D708,562 S *	7/2014	Kern	D12/211
D720,273 S *	12/2014	Hilpert	D12/211
D731,388 S *	6/2015	Gotschke	D12/211
D731,945 S *	6/2015	Kern	D12/211
D732,452 S *	6/2015	Chung	D12/211
D741,245 S *	10/2015	Zhao	D12/211
D745,841 S *	12/2015	Ferrett	D12/209
D754,050 S *	4/2016	Rueckheim	D12/211
D781,204 S *	3/2017	Peat	D12/211
D782,954 S *	4/2017	Liffick	D12/211
D788,009 S *	5/2017	Zhao	D12/211
D811,305 S *	2/2018	Hodges	D12/211
D832,178 S *	10/2018	Hodges	D12/211
D845,205 S *	4/2019	Chu	D12/211
D846,476 S *	4/2019	Lucas	D12/209
D855,540 S *	8/2019	Han	D12/211
D864,835 S *	10/2019	Chen	D12/211

* cited by examiner

Primary Examiner — Stacia A Cadmus

(57) **CLAIM**

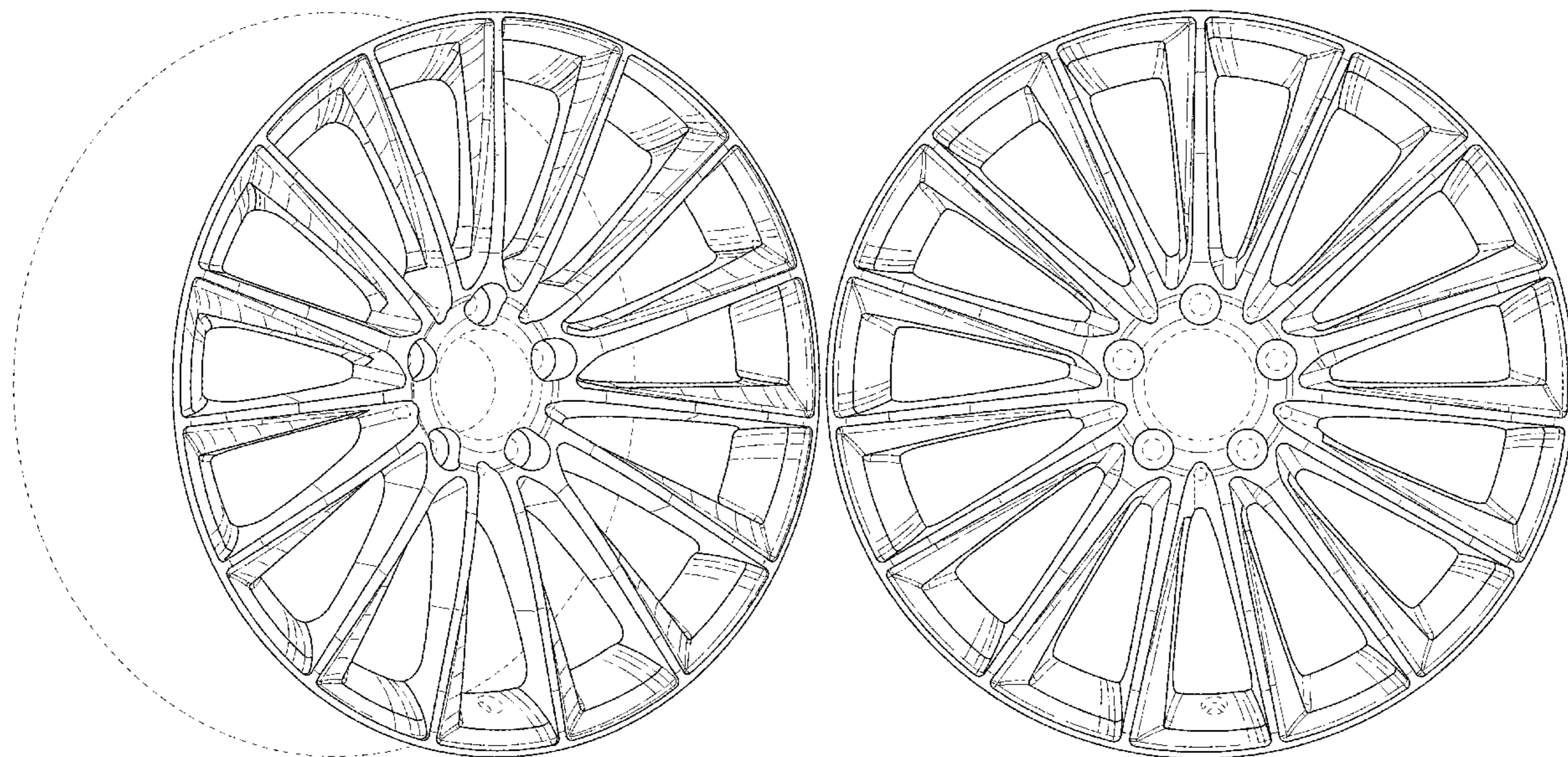
The ornamental design for an automotive wheel, as shown and described.

DESCRIPTION

FIG. 1 is a perspective view of an automotive wheel, showing my new design; and, FIG. 2 is a front view thereof.

In the drawings, the broken lines depict environmental subject matter and form no part of the claimed design.

1 Claim, 2 Drawing Sheets



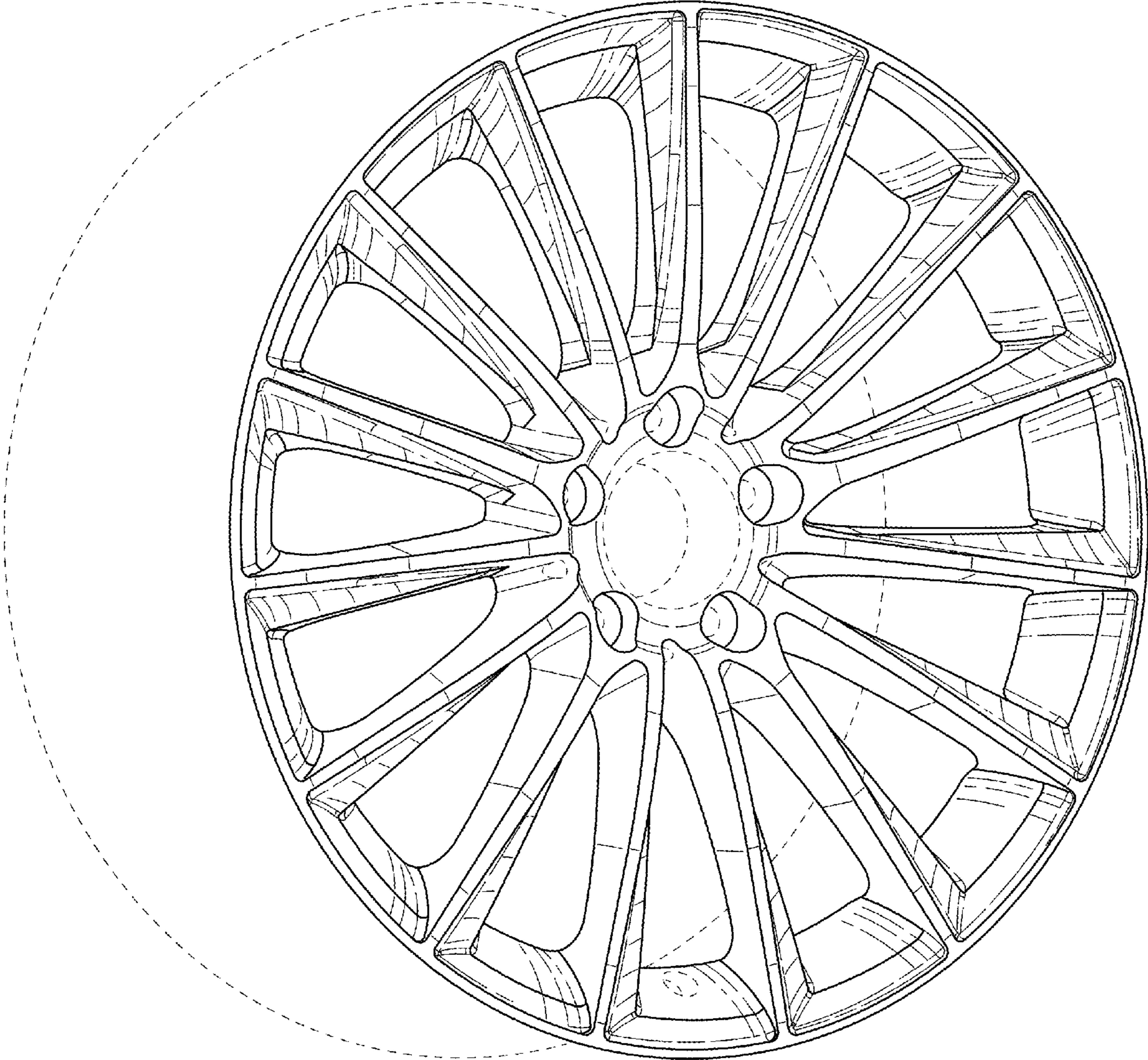


FIGURE 1

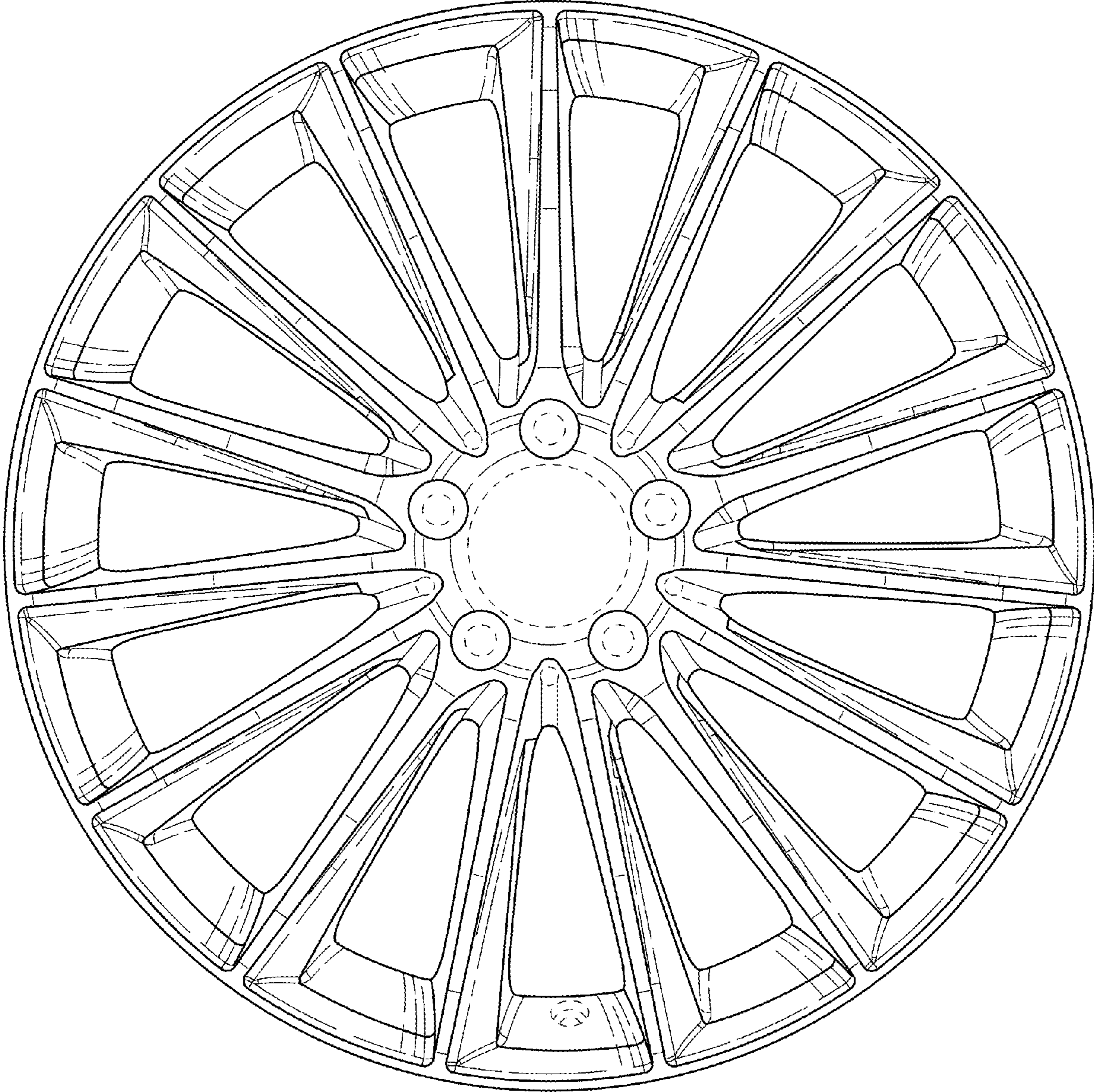


FIGURE 2