



US00D897255S

(12) **United States Design Patent** (10) **Patent No.:** **US D897,255 S**  
**Zipfel** (45) **Date of Patent:** **\*\* Sep. 29, 2020**

(54) **VEHICLE TAILGATE**  
(71) Applicant: **GM GLOBAL TECHNOLOGY OPERATIONS LLC**, Detroit, MI (US)  
(72) Inventor: **Carl J. Zipfel**, Oxford, MI (US)  
(73) Assignee: **GM GLOBAL TECHNOLOGY OPERATIONS LLC**, Detroit, MI (US)  
(\*\*) Term: **15 Years**  
(21) Appl. No.: **29/665,138**

D604,203 S 11/2009 O'Donnell  
D605,082 S 12/2009 Munson  
D605,083 S 12/2009 Manoogian, II et al.  
D605,977 S 12/2009 Zipfel et al.  
D605,978 S 12/2009 Wolff et al.  
D608,249 S 1/2010 Peters  
D608,690 S 1/2010 Folden et al.  
D608,691 S 1/2010 Zak, Jr. et al.  
D609,608 S 2/2010 Boniface et al.  
D611,387 S 3/2010 Thompson et al.  
D611,879 S 3/2010 Kim et al.  
D612,297 S 3/2010 Peters et al.  
D613,645 S 4/2010 Song et al.  
D615,458 S 5/2010 Thompson et al.

(Continued)

(22) Filed: **Oct. 1, 2018**  
(51) **LOC (12) Cl.** ..... **12-16**  
(52) **U.S. Cl.**  
USPC ..... **D12/196**  
(58) **Field of Classification Search**  
USPC ..... D12/86, 163-164, 169, 173, 175, 177,  
D12/184, 196  
CPC ..... B60J 11/06; B60R 13/00; B60R 13/10;  
B62D 25/10; B62D 35/00; B62D 35/007;  
E05D 5/062  
See application file for complete search history.

**OTHER PUBLICATIONS**

“BDTrims Tailgate Raised Letters.” Amazon.com, published Oct. 23, 2016 (Retrieved from the Internet Dec. 19, 2019). Internet URL: <<https://www.amazon.com/BDTrims-Tailgate-Letters-Platinum-Plastic/dp/B07DFN82QD>> (Year: 2016).\*

(Continued)

*Primary Examiner* — Jack Reickel  
*Assistant Examiner* — Rachel A Voorhies

(56) **References Cited**

**U.S. PATENT DOCUMENTS**

4,968,084 A \* 11/1990 Asher ..... B60R 13/00  
280/770  
D420,317 S \* 2/2000 Ney ..... D12/196  
D494,910 S \* 8/2004 Metros ..... D12/196  
D508,440 S \* 8/2005 Hall ..... D12/98  
D564,954 S \* 3/2008 Shimoguchi ..... D12/196  
D570,742 S 6/2008 Takagi et al.  
D592,105 S 5/2009 Dean et al.  
D597,447 S 8/2009 Folden  
D600,595 S 9/2009 Nakamura et al.  
D600,601 S \* 9/2009 Jung ..... D12/164  
D601,925 S 10/2009 O'Donnell  
D603,755 S 11/2009 Peters

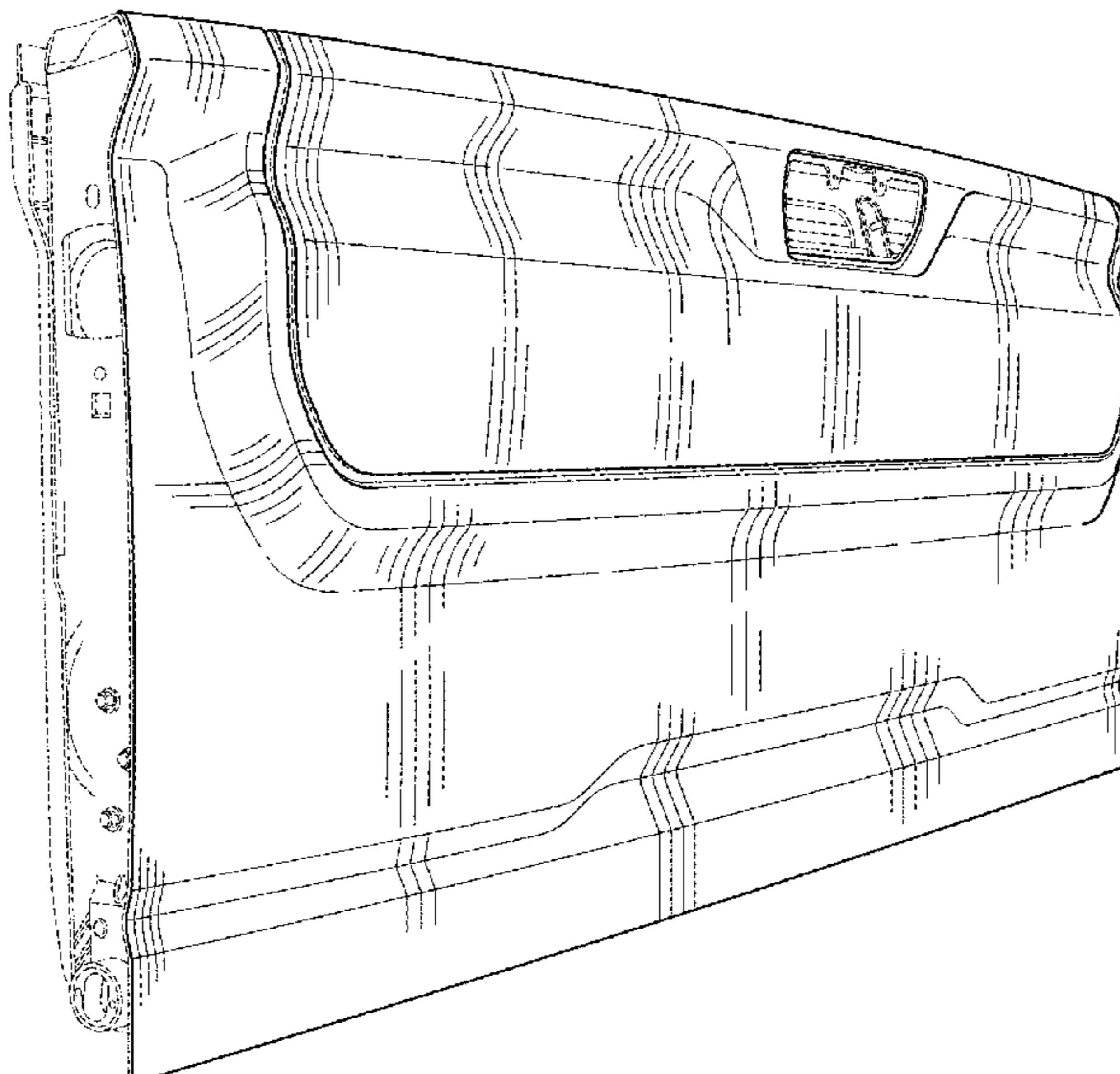
(57) **CLAIM**

The ornamental design for a vehicle tailgate, as shown and described.

**DESCRIPTION**

FIG. 1 is a perspective view of the vehicle tailgate; FIG. 2 is a front view thereof; FIG. 3 is a leftside view thereof (the rightside view being a mirror image of the leftside view); FIG. 4 is a top view thereof; and, FIG. 5 is a bottom view thereof. The broken lines in the drawings illustrate portions of the vehicle tailgate that form no part of the claimed design.

**1 Claim, 4 Drawing Sheets**



(56)

References Cited

U.S. PATENT DOCUMENTS

D618,595 S	6/2010	Ware et al.	D746,728 S	1/2016	Smith et al.
D623,090 S	9/2010	Cox et al.	D746,729 S	1/2016	Boniface et al.
D627,262 S	11/2010	Ikeda et al.	D746,730 S	1/2016	Kim et al.
D630,971 S *	1/2011	Jung ..... D12/91	D747,514 S	1/2016	McMahan et al.
D635,488 S	4/2011	Phipps	D747,515 S	1/2016	McMahan et al.
D644,147 S	8/2011	Suh et al.	D747,819 S	1/2016	Thole et al.
D644,567 S	9/2011	Kozub	D749,021 S	2/2016	Boniface et al.
D657,718 S	4/2012	Zipfel et al.	D749,026 S	2/2016	Smith et al.
D659,052 S	5/2012	Ware et al.	D749,027 S	2/2016	McMahan et al.
D659,053 S	5/2012	Ware et al.	D749,246 S	2/2016	Thole et al.
D668,182 S	10/2012	Barba Franco et al.	D749,249 S	2/2016	Thole et al.
D668,183 S	10/2012	Smart	D749,250 S	2/2016	Thole et al.
D678,820 S	3/2013	Son et al.	D749,985 S	2/2016	Kozub et al.
D678,821 S	3/2013	Ikeda et al.	D749,997 S	2/2016	McMahan et al.
D680,909 S	4/2013	Munson et al.	D750,001 S	2/2016	Thole et al.
D680,910 S	4/2013	David	D750,002 S *	2/2016	Sato ..... D12/196
D684,899 S	6/2013	Baker	D753,032 S	4/2016	Smith et al.
D686,536 S	7/2013	McCabe et al.	D753,033 S	4/2016	Thole et al.
D692,798 S	11/2013	Thurber	D753,034 S	4/2016	Thole et al.
D692,799 S	11/2013	Smith et al.	D753,035 S	4/2016	Boniface et al.
D696,157 S	12/2013	Loeb	D753,559 S	4/2016	McMahan et al.
D699,629 S	2/2014	Ikeda et al.	D753,560 S	4/2016	McMahan et al.
D700,871 S	3/2014	O'Donnell et al.	D753,567 S	4/2016	Boniface et al.
D703,103 S	4/2014	Lee	D754,571 S	4/2016	Boniface et al.
D704,103 S	5/2014	Mack et al.	D754,572 S	4/2016	McMahan et al.
D705,132 S	5/2014	Ware et al.	D755,088 S	5/2016	McMahan et al.
D705,699 S	5/2014	Ware et al.	D756,869 S	5/2016	McMahan et al.
D706,689 S *	6/2014	Tada ..... B60R 13/00 D12/164	D758,271 S	6/2016	McMahan et al.
D710,283 S *	8/2014	O'Donnell ..... E05F 15/53 D12/196	D764,975 S	8/2016	Aengenheyster
D710,777 S *	8/2014	Platto ..... D12/196	D764,976 S	8/2016	Aengenheyster
D713,298 S	9/2014	Dyson	D767,449 S	9/2016	Pevovar et al.
D713,764 S	9/2014	Ferlazzo et al.	D767,450 S	9/2016	Lee et al.
D716,696 S	11/2014	Thole et al.	D767,451 S	9/2016	Kozub et al.
D716,706 S	11/2014	Thole et al.	D767,454 S	9/2016	McMahan et al.
D716,709 S	11/2014	Thole et al.	D767,458 S	9/2016	Kim
D717,696 S	11/2014	Thole et al.	D767,459 S	9/2016	Kim
D718,189 S	11/2014	Krieg et al.	D767,460 S	9/2016	Kozub et al.
D718,675 S *	12/2014	Sperling ..... D12/164	D767,461 S	9/2016	Kozub et al.
D718,683 S	12/2014	Thole et al.	D771,528 S	11/2016	Smith et al.
D722,282 S	2/2015	Loeb	D771,529 S	11/2016	Thole et al.
D722,533 S	2/2015	Thole et al.	D771,532 S	11/2016	Kapitonov
D722,534 S	2/2015	Munson et al.	D771,533 S	11/2016	Kapitonov
D724,510 S	3/2015	McMahan et al.	D772,766 S	11/2016	Kozub et al.
D725,001 S	3/2015	McMahan et al.	D772,767 S	11/2016	Kim
D726,591 S	4/2015	Jacob	D773,084 S	11/2016	Kapitonov
D730,776 S	6/2015	Smart	D773,086 S	11/2016	McCabe et al.
D730,783 S	6/2015	Henriques et al.	D774,226 S	12/2016	McCabe et al.
D732,427 S	6/2015	Loeb	D775,003 S	12/2016	Pevovar et al.
D732,429 S	6/2015	Loeb	D775,007 S	12/2016	Thole et al.
D732,430 S	6/2015	Loeb	D775,010 S	12/2016	Kim et al.
D732,431 S	6/2015	Loeb	D775,049 S	12/2016	Scheer et al.
D732,432 S	6/2015	Aengenheyster	D775,549 S	1/2017	Karras
D732,433 S	6/2015	Aengenheyster	D775,554 S	1/2017	Kapitonov
D732,435 S	6/2015	Mackay	D776,020 S	1/2017	Kapitonov
D733,002 S	6/2015	Loeb	D776,581 S	1/2017	Pevovar et al.
D735,611 S	8/2015	Aengenheyster	D776,583 S	1/2017	Scheer et al.
D735,627 S	8/2015	Smith	D776,841 S	1/2017	Kozub et al.
D736,451 S	8/2015	Smith	D776,843 S	1/2017	McCabe et al.
D739,306 S	9/2015	McMahan et al.	D776,846 S	1/2017	Willett et al.
D739,317 S	9/2015	McMahan et al.	D777,359 S	1/2017	Kozub et al.
D741,223 S	10/2015	Kim et al.	D777,360 S	1/2017	Kozub et al.
D743,309 S	11/2015	Thole et al.	D777,361 S	1/2017	Kozub et al.
D743,313 S	11/2015	Smith et al.	D777,604 S	1/2017	McNerney
D743,314 S	11/2015	Thole et al.	D777,605 S	1/2017	Ferlazzo et al.
D743,857 S	11/2015	McMahan et al.	D777,620 S	1/2017	Pevovar et al.
D744,158 S	11/2015	Willett et al.	D777,621 S	1/2017	Kim
D745,086 S	12/2015	Finos et al.	D777,622 S	1/2017	Kozub et al.
D745,719 S	12/2015	Boniface et al.	D777,628 S	1/2017	Kozub et al.
D745,725 S	12/2015	McMahan et al.	D777,955 S	1/2017	Willett et al.
D745,726 S	12/2015	McMahan et al.	D778,212 S	2/2017	Kozub et al.
D745,837 S	12/2015	Smith et al.	D778,215 S	2/2017	Kozub et al.
D746,726 S	1/2016	Smith et al.	D780,064 S	2/2017	Smith et al.
D746,727 S	1/2016	Smith et al.	D780,067 S	2/2017	Zipfel et al.
			D780,068 S	2/2017	Whitla et al.
			D780,077 S	2/2017	Kim et al.
			D780,081 S	2/2017	Lee
			D780,084 S	2/2017	Scheer et al.
			D780,631 S	3/2017	Kozub et al.
			D780,644 S	3/2017	Kim et al.



(56)

References Cited

U.S. PATENT DOCUMENTS

D781,184 S	3/2017	Thole et al.	D797,970 S	9/2017	Mainville
D781,192 S	3/2017	Kozub et al.	D797,971 S	9/2017	Mainville
D782,379 S	3/2017	Wassell	D797,972 S	9/2017	Whitla et al.
D783,482 S	4/2017	Smith et al.	D798,204 S	9/2017	Mainville
D784,213 S	4/2017	Karras	D799,384 S	10/2017	Kozub et al.
D784,223 S	4/2017	Lee	D799,385 S	10/2017	Kozub et al.
D784,226 S	4/2017	Cheng	D799,386 S	10/2017	Kozub et al.
D784,579 S	4/2017	Cheng et al.	D799,728 S	10/2017	Whitla et al.
D784,877 S	4/2017	Lee	D801,236 S	10/2017	Kozub et al.
D784,886 S	4/2017	Smith et al.	D801,577 S	10/2017	Ruiz
D785,521 S	5/2017	Smith et al.	D801,882 S	11/2017	Kozub et al.
D786,149 S	5/2017	Pevovar et al.	D802,205 S	11/2017	Ruiz
D786,743 S	5/2017	Smith et al.	D802,478 S	11/2017	Perkins
D786,750 S	5/2017	Lee	D802,491 S	11/2017	Mainville
D787,446 S	5/2017	Cockerill	D802,496 S	11/2017	Mainville
D787,984 S	5/2017	Fang	D802,502 S	11/2017	McMahan
D787,988 S	5/2017	Lee	D803,727 S	11/2017	Noone et al.
D787,989 S	5/2017	Kozub et al.	D803,731 S	11/2017	Zipfel
D787,990 S	5/2017	Kozub et al.	D804,370 S	12/2017	Kozub et al.
D787,992 S	5/2017	Lee	D804,371 S	12/2017	Whitla et al.
D787,993 S	5/2017	McCabe et al.	D804,372 S	12/2017	Kozub
D788,001 S	5/2017	Lee	D804,378 S	12/2017	Perkins
D788,641 S	6/2017	Arnold	D804,379 S	12/2017	McMahan
D788,644 S	6/2017	Mueller	D805,006 S	12/2017	Nakamura
D788,645 S	6/2017	Mueller	D805,013 S	12/2017	Whitla
D789,250 S	6/2017	Arnold	D805,014 S	12/2017	Zipfel
D789,260 S	6/2017	Smith	D805,441 S	12/2017	Karras
D789,575 S	6/2017	Willett	D805,964 S	12/2017	Whitla
D789,841 S	6/2017	Lee	D805,965 S	12/2017	Davis
D789,849 S	6/2017	Lee	D805,966 S	12/2017	Perkins
D791,018 S	7/2017	Mylenek	D805,985 S	12/2017	Nakamura
D791,644 S	7/2017	Fang	D807,232 S	1/2018	Bailie
D792,290 S	7/2017	Smith et al.	D807,239 S	1/2018	Perkins
D792,293 S	7/2017	McCabe et al.	D807,240 S	1/2018	Perkins
D792,294 S	7/2017	McCabe et al.	D807,241 S	1/2018	Perkins
D792,295 S	7/2017	McCabe et al.	D807,268 S	1/2018	Perkins
D792,815 S	7/2017	Kozub	D809,428 S	* 2/2018	Dunshee ..... D12/196
D792,816 S	7/2017	Kozub	D809,442 S	* 2/2018	Platto ..... D12/98
D793,290 S	8/2017	Kozub	D811,269 S	2/2018	Zipfel et al.
D793,292 S	8/2017	Lee	D811,942 S	3/2018	Thompson et al.
D793,293 S	8/2017	Lee et al.	D811,957 S	3/2018	Jacob
D793,294 S	8/2017	Lee	D811,957 S	3/2018	Whitla et al.
D793,295 S	8/2017	McCabe et al.	D811,958 S	3/2018	Zipfel et al.
D793,296 S	8/2017	Smith et al.	D811,959 S	3/2018	Perkins
D793,297 S	8/2017	Smith et al.	D811,960 S	3/2018	Perkins
D793,299 S	8/2017	Kreig et al.	D811,960 S	3/2018	Nakamura
D793,300 S	8/2017	Kreig et al.	D811,961 S	3/2018	Sullivan
D793,301 S	8/2017	Kozub	D811,962 S	3/2018	Sullivan
D793,302 S	8/2017	Kozub	D811,963 S	3/2018	Sullivan
D793,311 S	8/2017	Whitla et al.	D811,964 S	3/2018	Perkins
D793,590 S	8/2017	Kozub et al.	D811,965 S	3/2018	Perkins
D793,591 S	8/2017	Kozub et al.	D811,965 S	3/2018	Moffett et al.
D793,917 S	8/2017	Kozub	D812,525 S	3/2018	Lee
D793,918 S	8/2017	Kozub	D812,526 S	3/2018	Zipfel et al.
D794,229 S	8/2017	Barry	D812,527 S	3/2018	Perkins
D794,230 S	8/2017	Kozub	D812,528 S	3/2018	Nakamura
D795,747 S	8/2017	Bailie	D813,098 S	3/2018	Thompson et al.
D795,757 S	8/2017	Pevovar et al.	D813,109 S	3/2018	Zipfel et al.
D795,758 S	8/2017	Karras	D813,110 S	3/2018	Whitla et al.
D795,759 S	8/2017	Kozub et al.	D813,111 S	3/2018	Sullivan
D795,760 S	8/2017	Kozub et al.	D813,116 S	3/2018	Park
D795,762 S	8/2017	Lee	D813,117 S	3/2018	Sullivan
D795,763 S	8/2017	Kozub	D813,121 S	3/2018	Swaneger
D796,088 S	8/2017	McCabe et al.	D813,730 S	3/2018	Zipfel et al.
D796,093 S	8/2017	Mainville	D813,731 S	3/2018	McMahan
D796,390 S	9/2017	Pevovar et al.	D813,732 S	3/2018	Whitla et al.
D797,537 S	9/2017	Cooper et al.	D813,733 S	3/2018	Lee
D797,603 S	9/2017	Noone et al.	D813,734 S	3/2018	Nakamura
D797,614 S	9/2017	Lee	D813,740 S	3/2018	Park
D797,616 S	9/2017	Lee	D813,741 S	3/2018	Perkins
D797,624 S	9/2017	Nakamura	D813,742 S	3/2018	McMahan et al.
D797,625 S	9/2017	Perkins	D813,743 S	3/2018	Lee
D797,631 S	9/2017	Pevovar et al.	D813,744 S	3/2018	Whitla et al.
D797,632 S	9/2017	Zipfel et al.	D813,748 S	3/2018	Kim
D797,967 S	9/2017	Barry	D813,753 S	3/2018	Loeb
			D813,754 S	3/2018	Loeb
			D813,755 S	3/2018	Loeb
			D813,756 S	3/2018	Loeb
			D813,757 S	3/2018	Kozub
			D813,758 S	3/2018	Gonzales
			D813,759 S	3/2018	Perkins
			D814,369 S	4/2018	Loeb

(56)

References Cited

U.S. PATENT DOCUMENTS

D814,982 S 4/2018 Whitla et al.  
 D814,983 S 4/2018 Whitla et al.  
 D815,570 S 4/2018 McMahan et al.  
 D815,572 S 4/2018 Perkins  
 D815,573 S 4/2018 Whitla et al.  
 D815,574 S 4/2018 Mainville  
 D815,993 S 4/2018 Kozub et al.  
 D815,994 S 4/2018 Nakamura  
 D816,003 S 4/2018 Perkins  
 D816,558 S 5/2018 McMahan et al.  
 D816,559 S 5/2018 McMahan et al.  
 D816,561 S 5/2018 McMahan  
 D816,562 S 5/2018 Whitla et al.  
 D816,563 S 5/2018 McMahan et al.  
 D816,564 S 5/2018 Kim  
 D816,565 S 5/2018 Kim  
 D816,566 S 5/2018 Loeb  
 D817,836 S 5/2018 McMahan et al.  
 D818,156 S 5/2018 Kim et al.  
 D818,157 S 5/2018 Zipfel et al.  
 D818,158 S 5/2018 Zipfel et al.  
 D818,159 S 5/2018 Zipfel et al.  
 D818,160 S 5/2018 Perkins  
 D818,406 S 5/2018 McMahan et al.  
 D818,876 S 5/2018 Whitla et al.  
 D818,877 S 5/2018 Nakamura et al.  
 D818,878 S 5/2018 McMahan et al.  
 D818,892 S 5/2018 Lee  
 D818,893 S 5/2018 Kim  
 D818,903 S 5/2018 Zipfel et al.  
 D818,906 S 5/2018 McMahan  
 D818,907 S 5/2018 Whitla et al.  
 D818,915 S 5/2018 Kozub et al.  
 D818,922 S 5/2018 Whitla et al.  
 D819,505 S 6/2018 McMahan et al.  
 D819,519 S 6/2018 Whitla et al.  
 D821,617 S 6/2018 Perkins  
 D822,550 S 7/2018 Wassell et al.  
 D822,551 S 7/2018 McMahan et al.  
 D823,188 S 7/2018 Loeb  
 D823,738 S 7/2018 Kim

D823,741 S 7/2018 Kim  
 D823,762 S 7/2018 Loeb  
 D823,763 S 7/2018 Koo et al.  
 D824,811 S 8/2018 Mainville  
 D824,812 S 8/2018 Loeb  
 D824,824 S 8/2018 Kim  
 D824,825 S 8/2018 Loeb  
 D825,083 S 8/2018 Perkins  
 D825,388 S 8/2018 Karras et al.  
 D825,403 S 8/2018 Whitla et al.  
 D826,114 S 8/2018 Smith et al.  
 D826,435 S 8/2018 Kim  
 D826,803 S 8/2018 Smith et al.  
 D827,506 S 9/2018 McMahan et al.  
 D827,508 S 9/2018 Whitla et al.  
 D827,510 S 9/2018 Kim  
 D827,527 S 9/2018 Loeb  
 D828,246 S 9/2018 Loeb  
 D828,261 S 9/2018 Moffett et al.  
 D828,935 S 9/2018 Hochmuth  
 D840,306 S \* 2/2019 Kozub ..... D12/196  
 10,214,250 B2 \* 2/2019 Hemphill ..... B60R 3/02  
 D859,253 S \* 9/2019 Izard ..... D12/196  
 D859,254 S \* 9/2019 Izard ..... D12/196  
 10,526,023 B2 \* 1/2020 Marchlewski ..... B62D 25/10  
 2018/0057075 A1 \* 3/2018 Marchlewski ..... B62D 33/0273  
 2018/0119474 A1 \* 5/2018 Singh ..... E05F 15/53  
 2019/0009840 A1 \* 1/2019 Yen ..... B62D 35/007

OTHER PUBLICATIONS

Howard, Bill. "2019 GMC Sierra Review: Innovative Tailgate, Great Head-Up Display." Extreme Tech, published Sep. 14, 2018 (Retrieved from the Internet Dec. 19, 2019). Internet URL: <<https://www.extremetech.com/extreme/276349-2019-gmc-sierra-review-innovative-tailgate-great-head-up-display>> (Year: 2018).\*

Product Expert. "When does the 2019 GMC Sierra 1500 Denali Go on Sale?" Sleepy Hollow Auto Official Blog, published Mar. 14, 2018 (Retrieved from the Internet Apr. 1, 2020). Internet URL: <<https://www.sleepyhollowauto.com/blog/2019-gmc-sierra-1500-denali-arrival-date/>> (Year: 2018).\*

\* cited by examiner



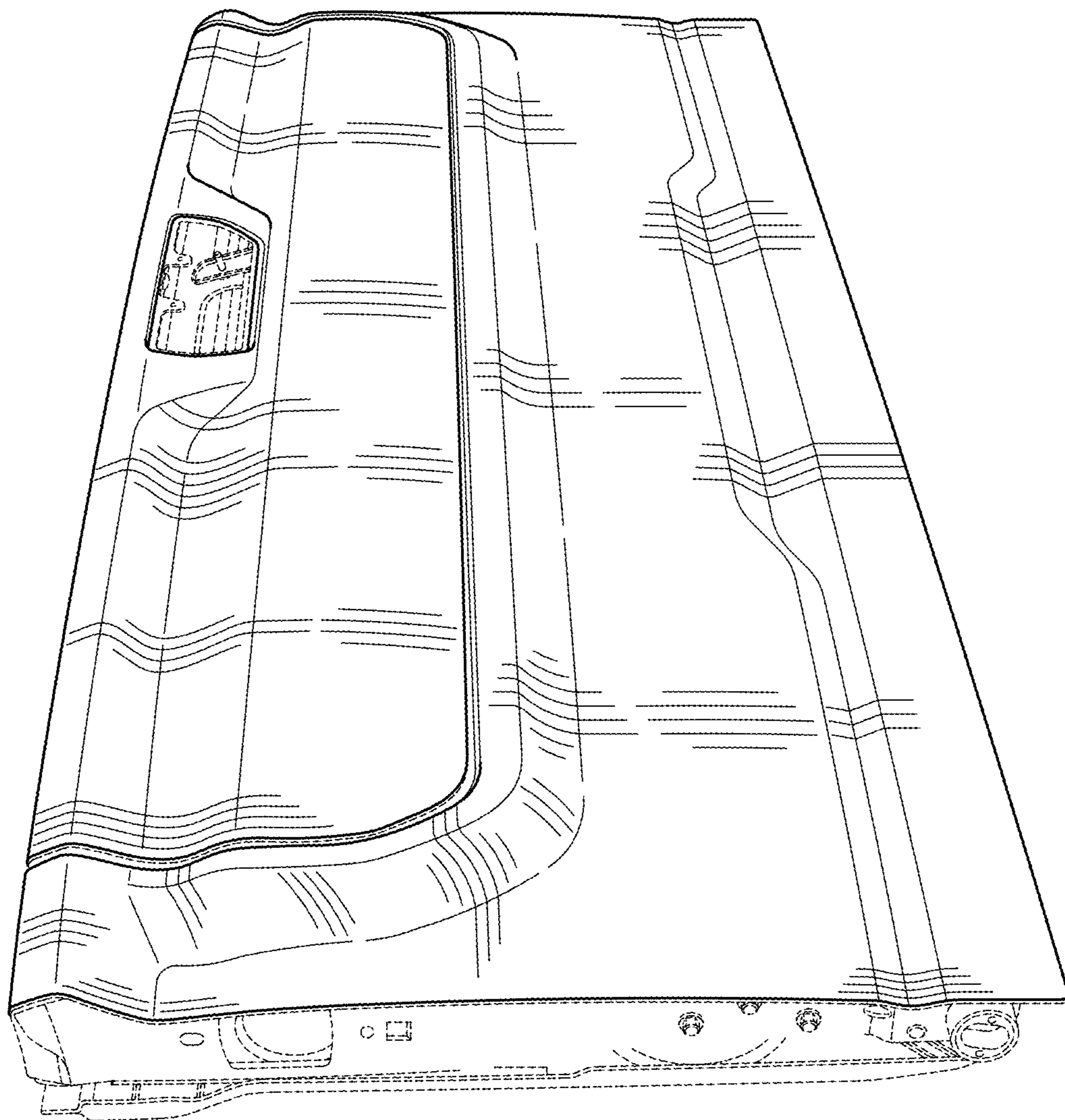


FIG. 1

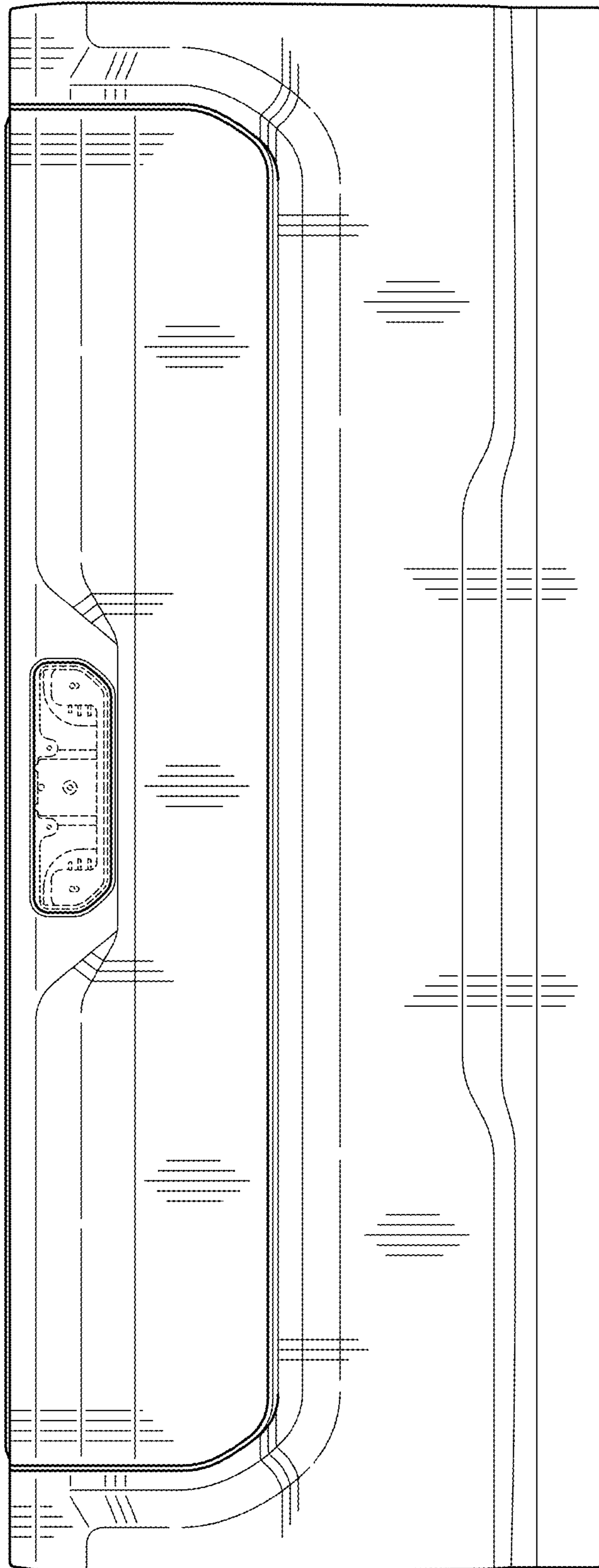


FIG. 2

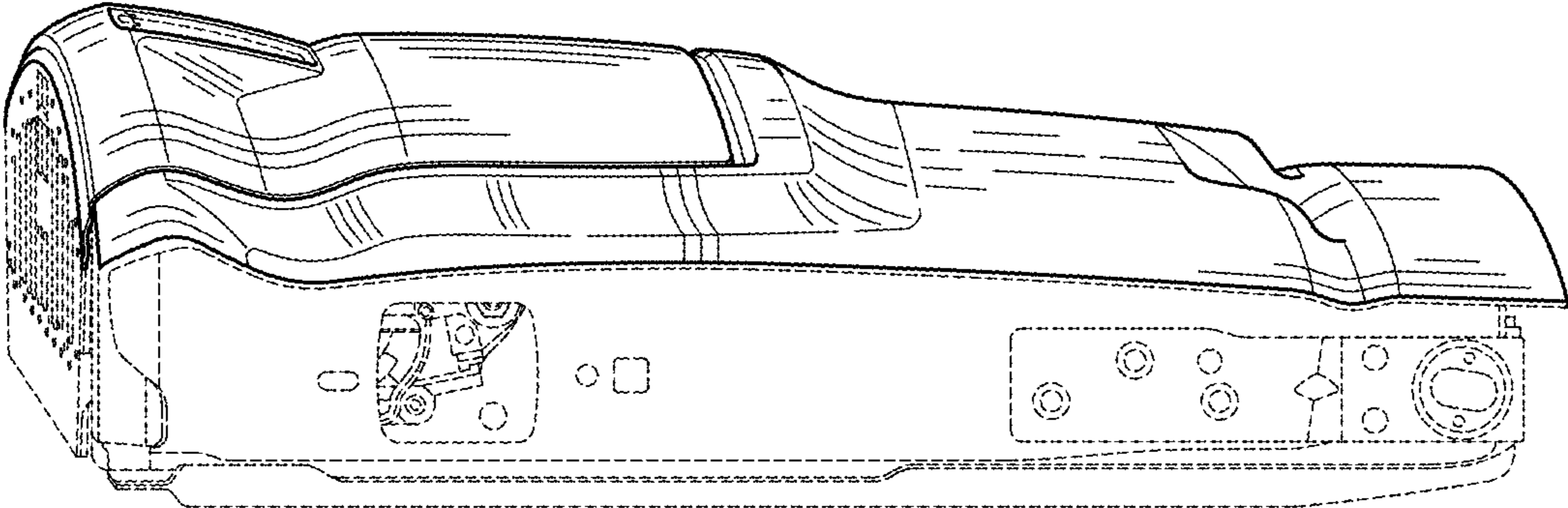


FIG. 3

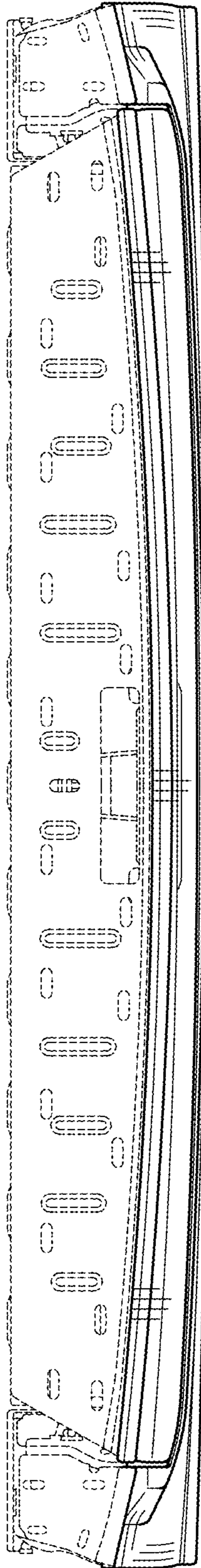


FIG. 4

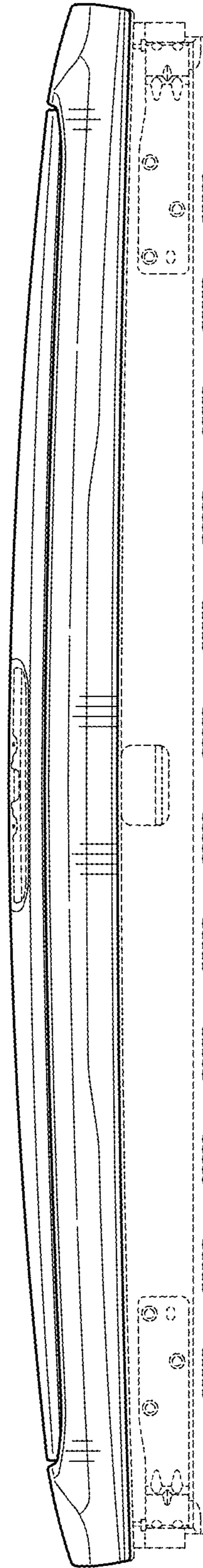


FIG. 5