



US00D897254S

(12) **United States Design Patent**
Kanzal Venkatesha et al.

(10) **Patent No.:** **US D897,254 S**
(45) **Date of Patent:** **** Sep. 29, 2020**

- (54) **RIBBED CONVOLUTION MUFFLER**
- (71) Applicant: **Transportation IP Holdings, LLP**,
Norwalk, CT (US)
- (72) Inventors: **Sandeep Kanzal Venkatesha**,
Bangalore (IN); **Chandrakesavan**
Balasubramanian, Bangalore (IN);
Ravindra Parihar, Bangalore (IN);
Dattatraya Bhagoji, Bangalore (IN)
- (73) Assignee: **Transportation IP Holdings, LLC**,
Norwalk, CT (US)
- (**) Term: **15 Years**
- (21) Appl. No.: **29/669,077**
- (22) Filed: **Nov. 5, 2018**

D516,698 S * 3/2006 Stout, Jr. D23/393
 D517,679 S * 3/2006 Stout, Jr. D23/393
 7,217,361 B2 5/2007 Connor et al.
 (Continued)

FOREIGN PATENT DOCUMENTS

WO 2007142181 A1 12/2007

OTHER PUBLICATIONS

CENTEK, Rectangular Vernalift, posted at West Marine, posting date not available. Site visited Oct. 8, 2019. URL: <<https://www.westmarine.com/buy/centek--rectangular-vernalift-2-inlet-outlet-3683257>>.*

Primary Examiner — Kevin K Rudzinski
Assistant Examiner — Kathleen L Jones
 (74) *Attorney, Agent, or Firm* — McCoy Russell LLP

(57) **CLAIM**

The ornamental design for a ribbed convolution muffler, as shown and described.

DESCRIPTION

FIG. 1 is a perspective view of a ribbed convolution muffler depicting a new design;
 FIG. 2 is a top plan view thereof;
 FIG. 3 is a bottom plan view thereof;
 FIG. 4 is a front view thereof;
 FIG. 5 is a rear view thereof;
 FIG. 6 is a left side view thereof; and,
 FIG. 7 is a right side view thereof.
 The dash-dash broken lines are included for the purpose of illustrating portions of the ribbed convolution muffler that form no part of the claimed design.
 The ribbed convolution muffler is shown with symbolic breaks, and any portion of the ribbed convolution muffler between the dash-dot break lines forms no part of the claimed design. The dash-dot break lines form no part of the claimed design.

1 Claim, 4 Drawing Sheets

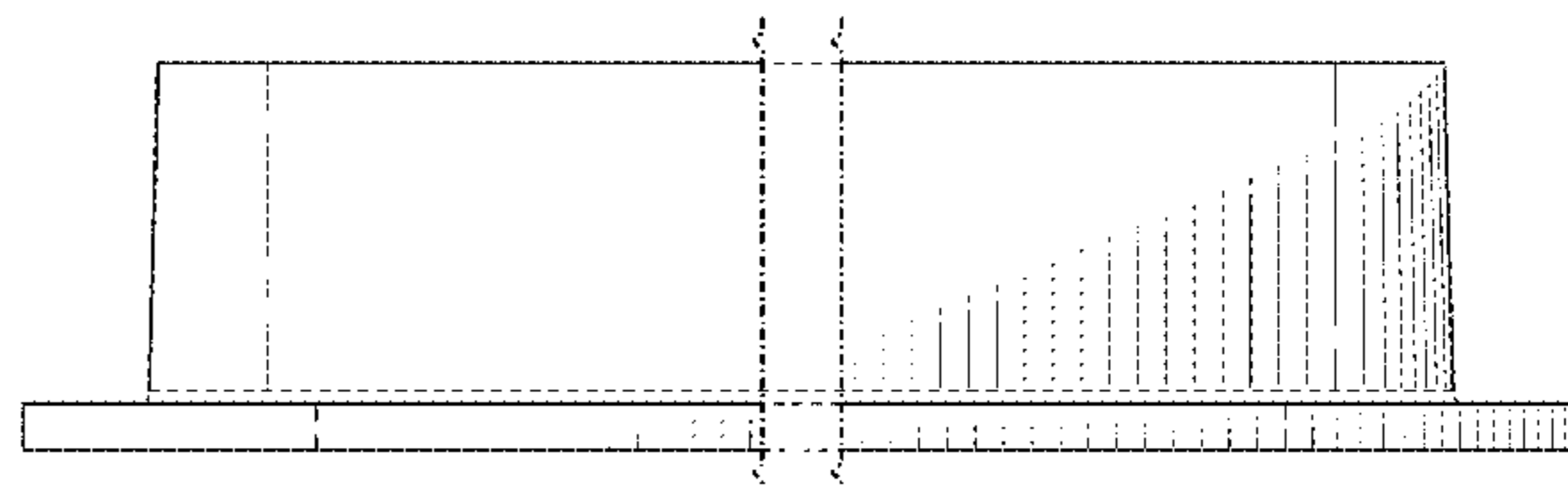
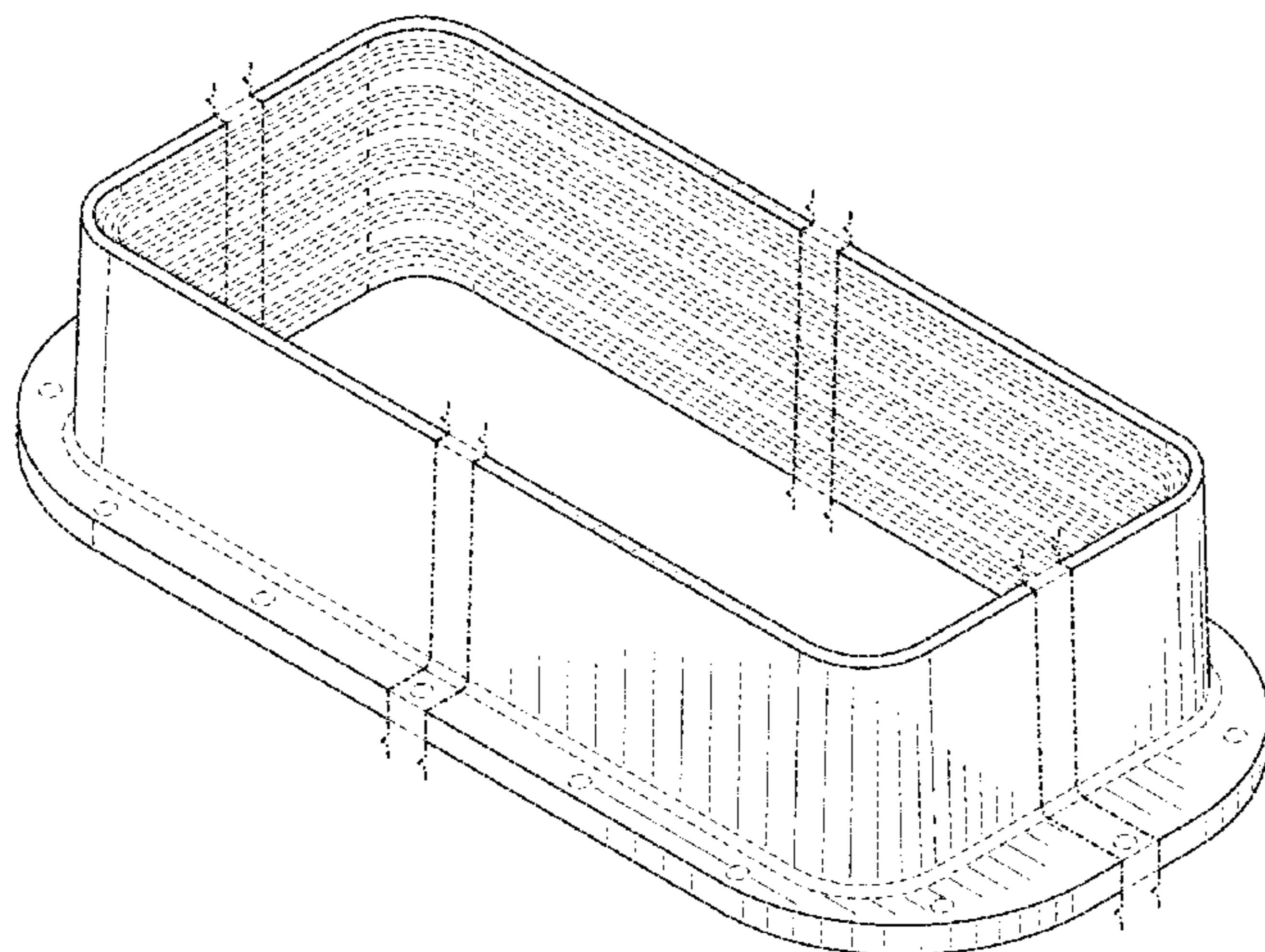
Related U.S. Application Data

- (62) Division of application No. 29/593,368, filed on Feb. 8, 2017, now Pat. No. Des. 836,513.
- (51) **LOC (12) Cl.** **12-16**
- (52) **U.S. Cl.**
USPC **D12/194**
- (58) **Field of Classification Search**
USPC D12/194–195, 198–199; D15/5
CPC F01N 13/082; F01N 13/085; F01N 13/087
See application file for complete search history.

(56) **References Cited**

U.S. PATENT DOCUMENTS

D231,356 S * 4/1974 Kurz D23/393
 D252,878 S * 9/1979 Bellino D15/5
 D267,968 S 2/1983 Beach et al.
 4,492,189 A * 1/1985 Ogawa F02F 7/006
 123/195 C
 5,095,860 A 3/1992 Newell
 D418,844 S * 1/2000 Occhiuto D15/5
 D456,072 S 4/2002 Mattsson et al.
 D475,781 S 6/2003 Mattsson et al.



(56)

References Cited

U.S. PATENT DOCUMENTS

7,396,376 B2 *	7/2008	Schrage	B01D 46/0001 55/498	D760,655 S	7/2016	Murphy et al.	
D577,321 S *	9/2008	Shimokawa	D12/194	D760,658 S	7/2016	Perlaguri et al.	
D583,287 S *	12/2008	Shimokawa	D12/194	D799,657 S	10/2017	Sullivan et al.	
D596,649 S	7/2009	Yan et al.		D810,143 S *	2/2018	Tomlinson	D15/5
7,726,443 B2	6/2010	Miyazawa et al.		D812,103 S *	3/2018	Tomlinson	D15/5
D627,284 S *	11/2010	Faszer	D12/194	D812,104 S	3/2018	Tomlinson et al.	
8,056,522 B1 *	11/2011	Carter	F02F 7/006 123/193.5	D812,644 S *	3/2018	Tomlinson	D15/5
8,061,530 B2 *	11/2011	Kindkeppel	B01D 29/01 210/450	D813,910 S *	3/2018	Tomlinson	D15/5
D694,689 S	12/2013	Maholick et al.		D818,503 S	5/2018	Tomlinson et al.	
D709,099 S *	7/2014	Finnie	D15/5	D819,698 S	6/2018	Krull	
D709,919 S *	7/2014	Fairchild	D15/5	D836,513 S *	12/2018	Kanzal Venkatesha	D12/194
D720,670 S	1/2015	Maholick et al.		D868,113 S *	11/2019	Trudeau	D15/5
D727,362 S *	4/2015	Platt	D15/5	D868,116 S *	11/2019	Kim	D15/5
D743,896 S	11/2015	Murphy et al.		10,468,645 B2 *	11/2019	Jackson	H01M 10/6556
D743,897 S	11/2015	Krivotnak et al.		D873,301 S *	1/2020	Crawford	D15/5
D743,898 S	11/2015	Murphy et al.		D879,153 S *	3/2020	Koshin	D15/5
D743,899 S	11/2015	Murphy et al.		D882,474 S *	4/2020	Åkrapovic	D12/194
D743,900 S	11/2015	Murphy et al.		D882,476 S *	4/2020	Zagar	D12/194
D743,901 S	11/2015	Murphy et al.		2005/0132997 A1 *	6/2005	Vargas	F02F 7/006 123/195 C
D743,902 S	11/2015	Murphy et al.		2005/0155818 A1	7/2005	Wirtz	
D743,903 S	11/2015	Krivotnak et al.		2006/0238000 A1 *	10/2006	Tohda	B60K 13/04 296/204
D743,910 S	11/2015	Murphy et al.		2008/0001040 A1	1/2008	Franks	
D745,840 S	12/2015	Maholick et al.		2009/0013673 A1	1/2009	Mukaida	
D759,602 S	6/2016	Murphy et al.		2010/0242425 A1	9/2010	Swanson et al.	
				2012/0204846 A1	8/2012	Schultz	
				2016/0045848 A1	2/2016	Campbell et al.	
				2017/0370329 A1 *	12/2017	Chun	F02M 26/28

* cited by examiner

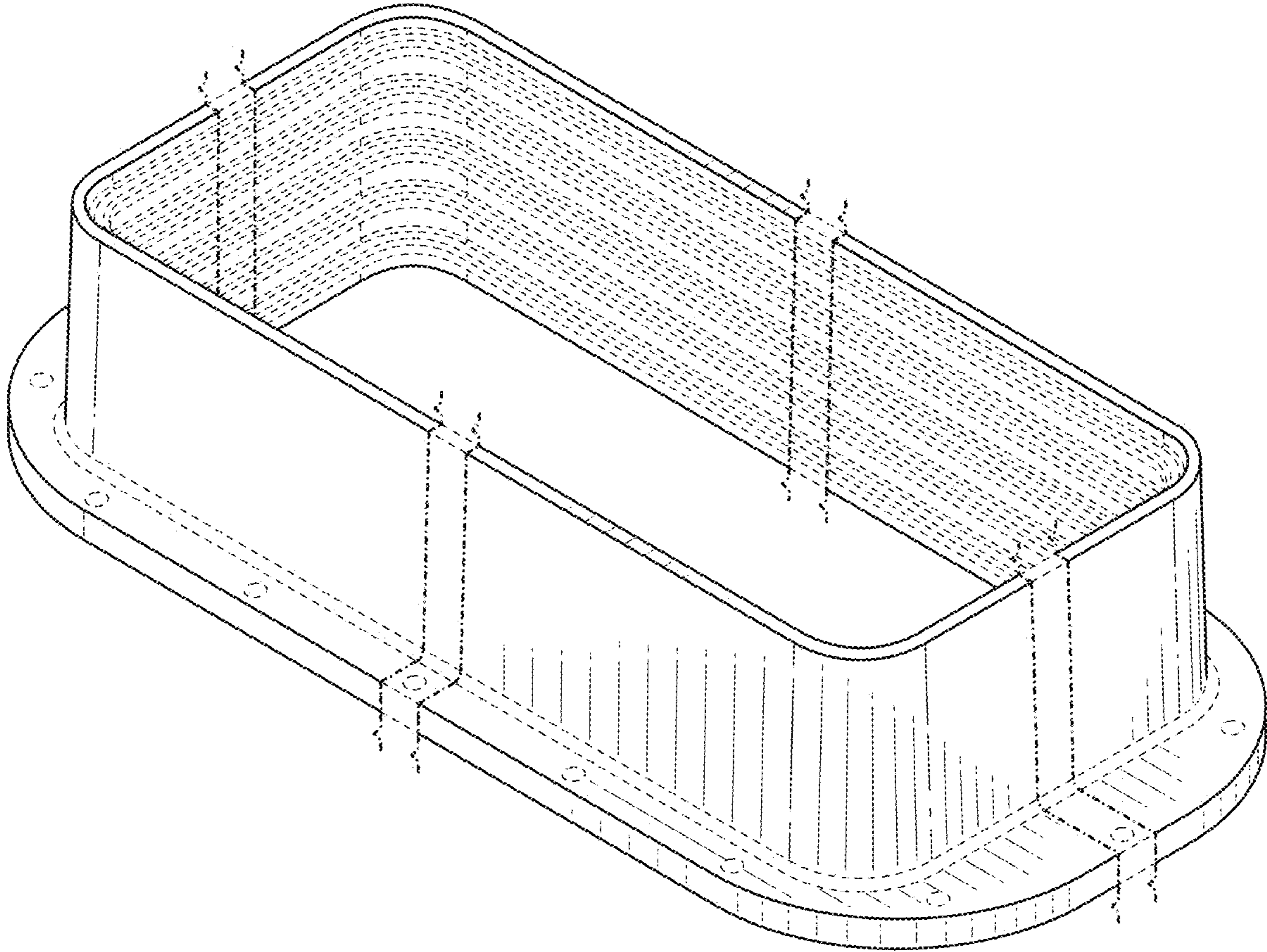


FIG. 1

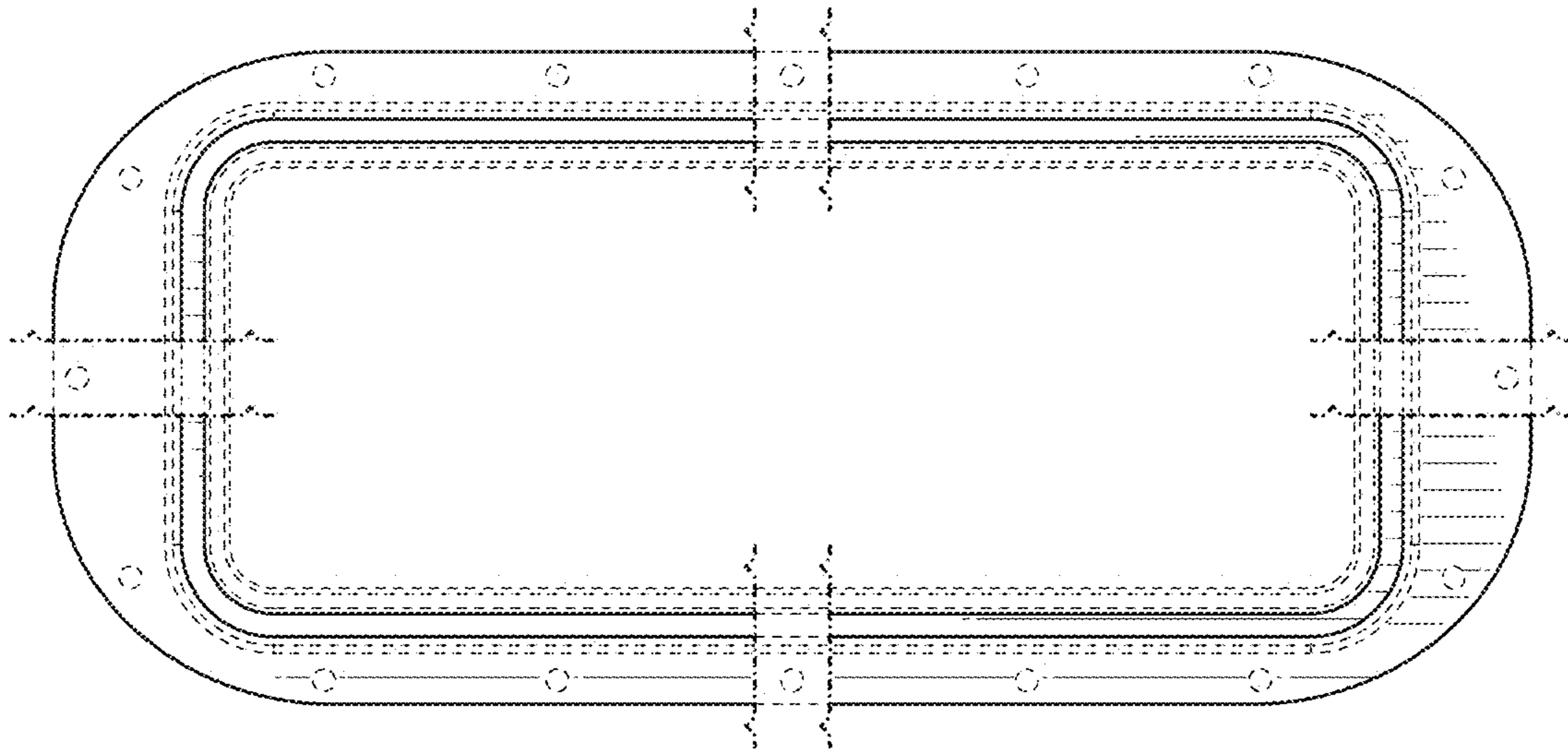


FIG. 2

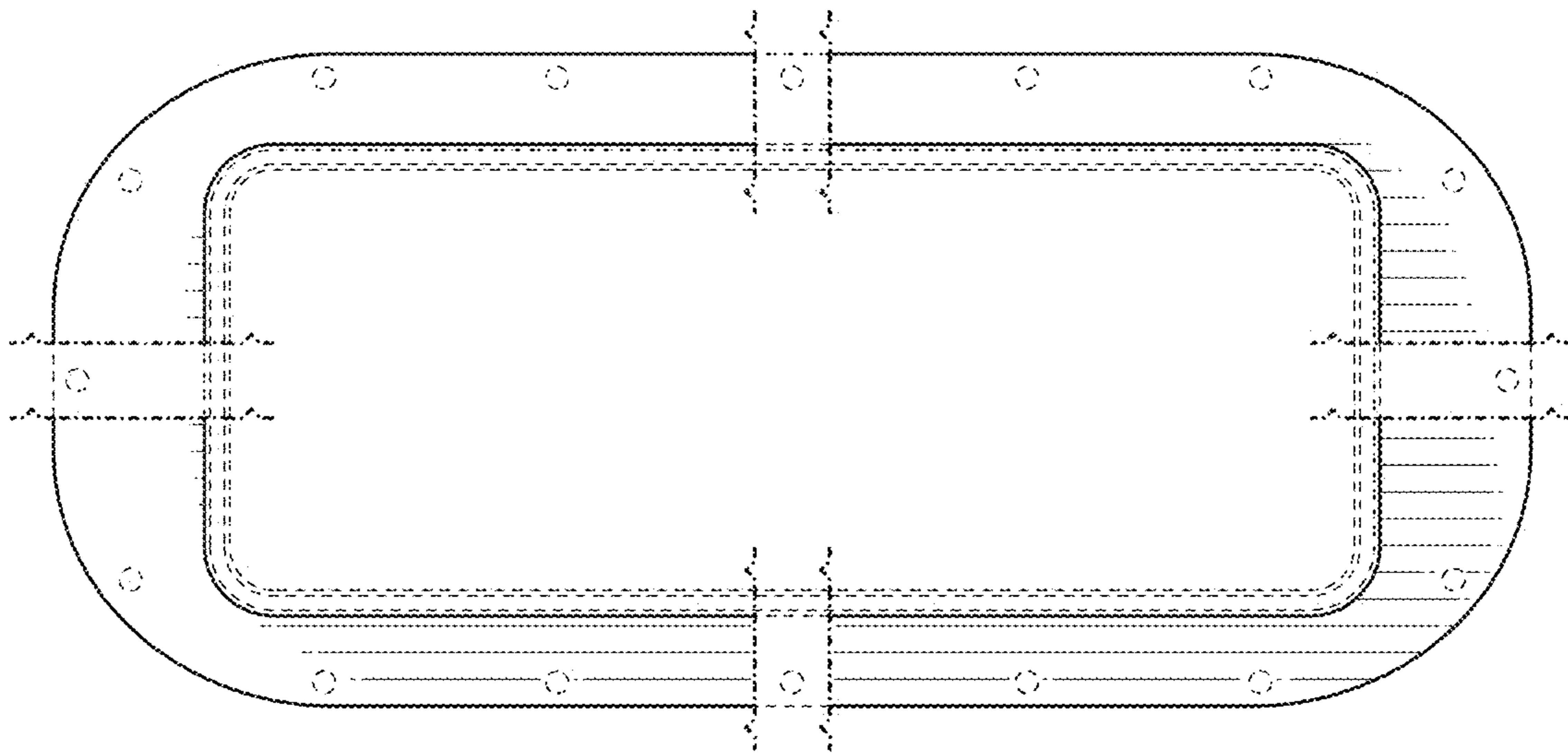


FIG. 3

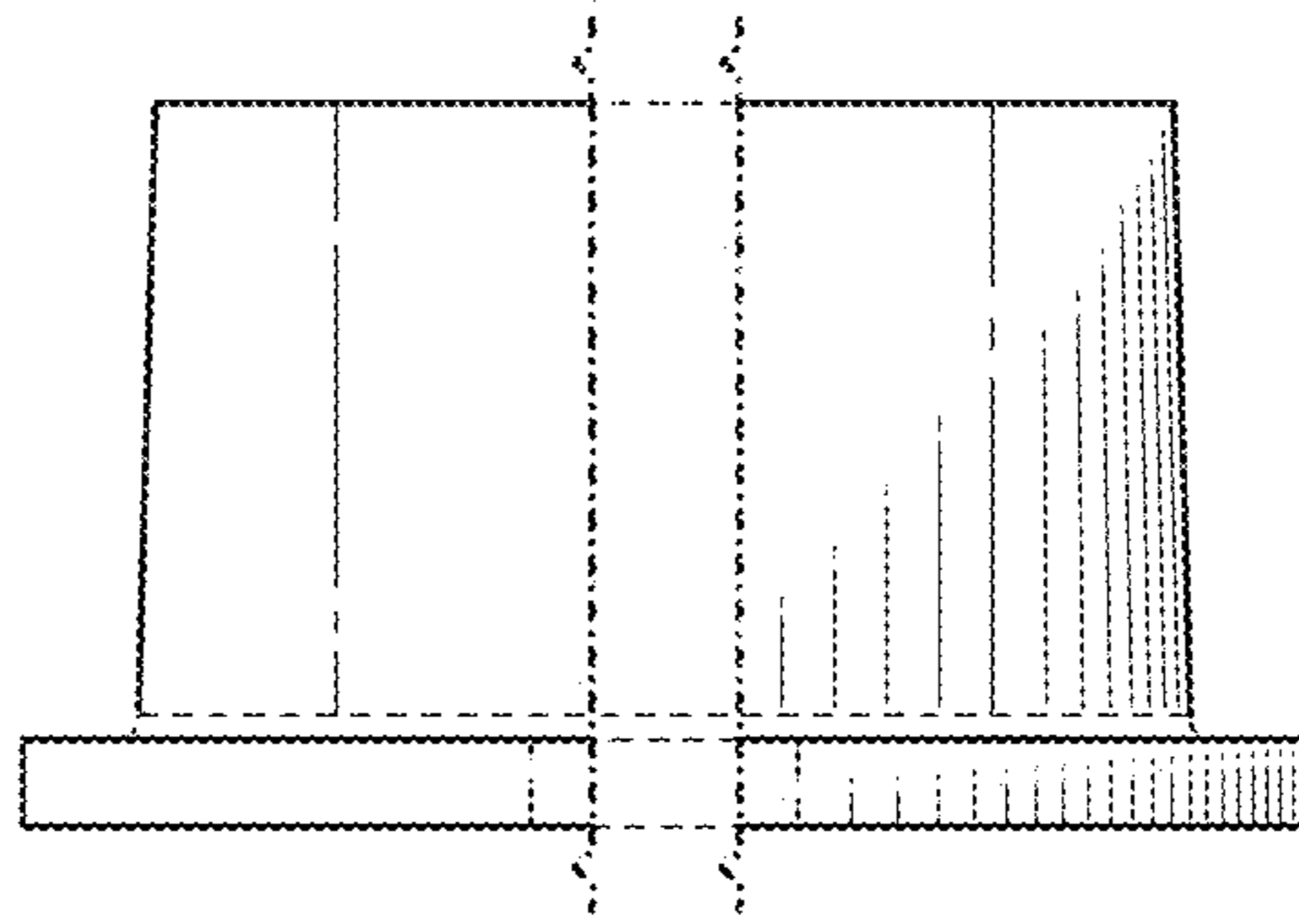


FIG. 4

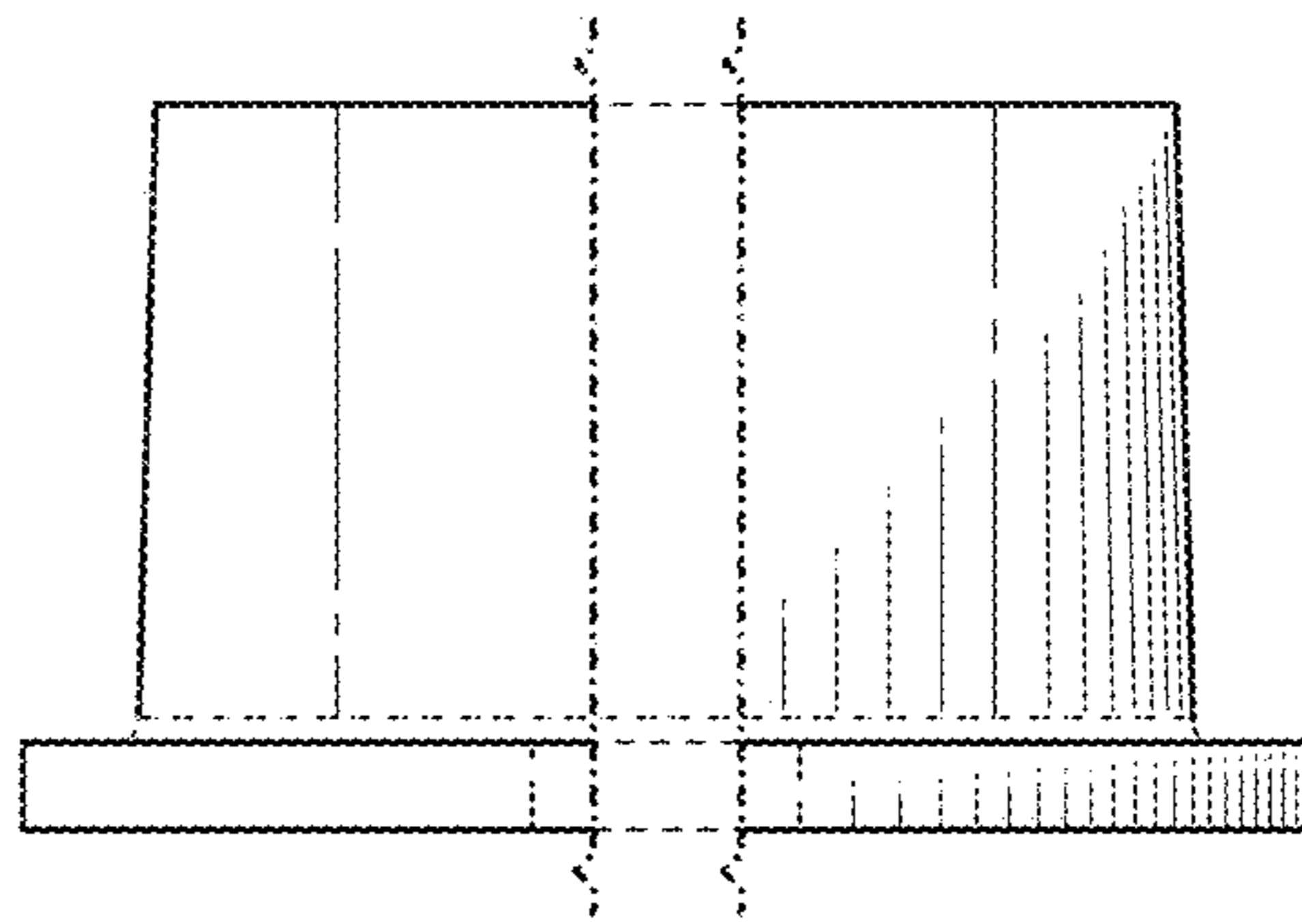


FIG. 5

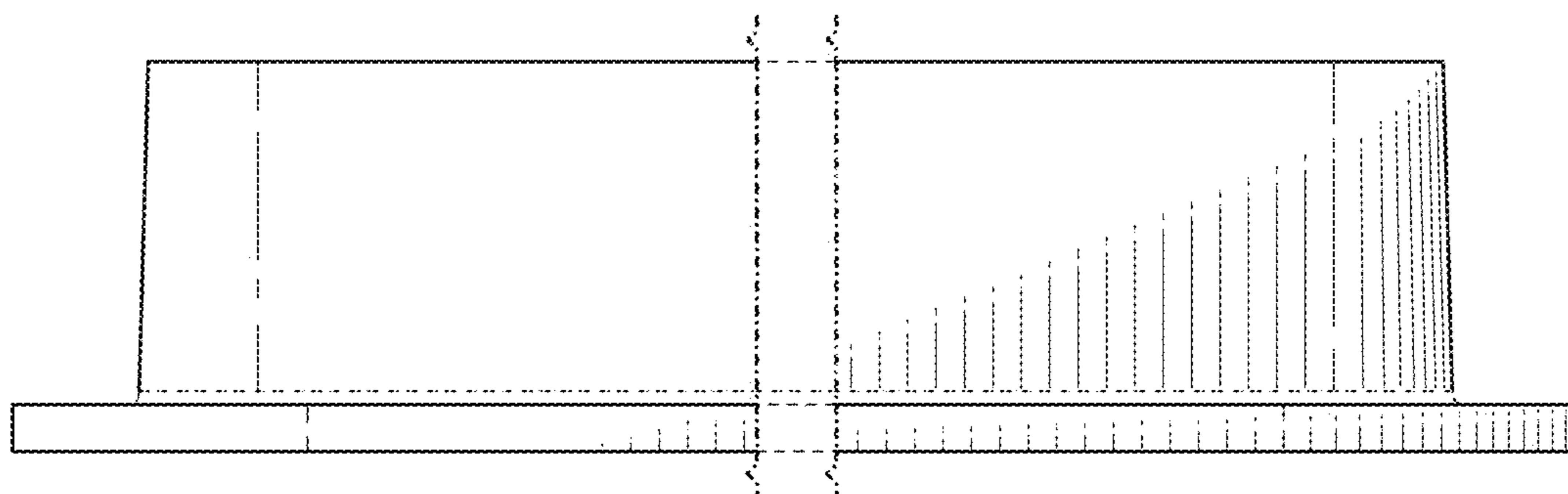


FIG. 6

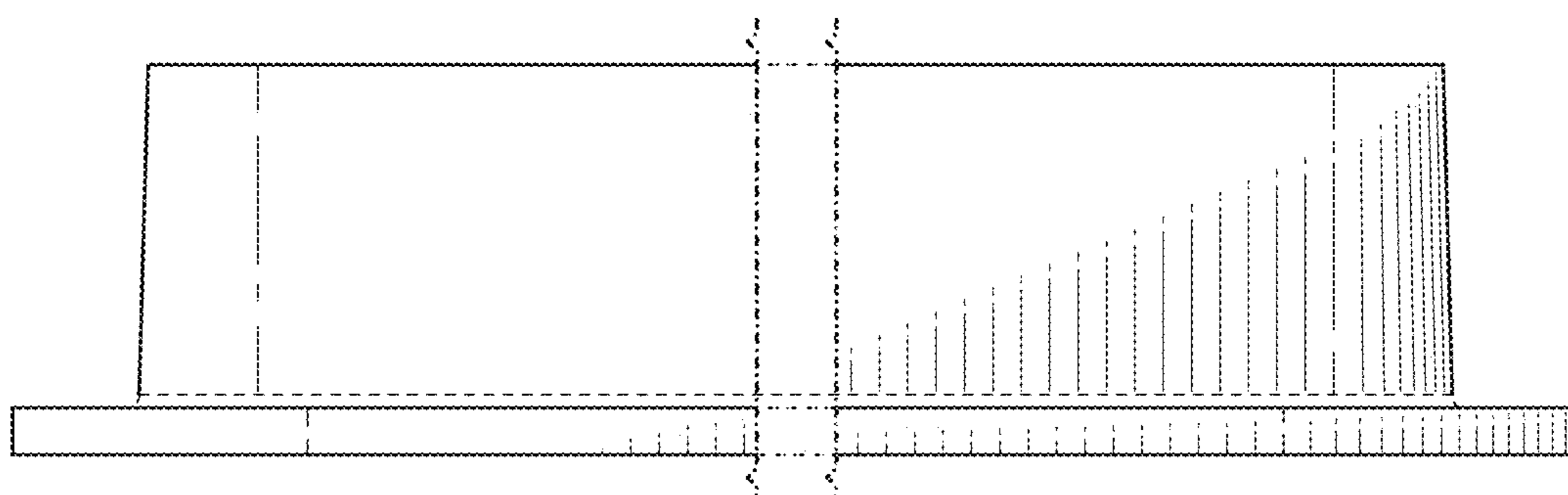


FIG. 7