

US00D897252S

(12) **United States Design Patent**
Fujikawa et al.

(10) **Patent No.:** **US D897,252 S**
(45) **Date of Patent:** **** Sep. 29, 2020**

(54) **AIR CONDITIONER OPERATION PANEL**

FOREIGN PATENT DOCUMENTS

(71) Applicants: **KOBELCO CONSTRUCTION MACHINERY CO., LTD.**, Hiroshima-shi (JP); **SANDEN AUTOMOTIVE CLIMATE SYSTEMS CORPORATION**, Isesaki-shi (JP)

CN 302393139 S 4/2013
CN 303438385 S 11/2015
(Continued)

(72) Inventors: **Koji Fujikawa**, Hiroshima (JP); **Keiji Yamamoto**, Hiroshima (JP); **Shintaro Sakitani**, Hiroshima (JP); **Toru Tanaka**, Isesaki (JP)

OTHER PUBLICATIONS
Mitsubishi Motors Corporation, Retrieved from the internet: http://www.mitsubishi-motors.co.jp/outlander/utility/uti_06.html, Sep. 22, 2008, 1 page.

(73) Assignees: **KOBELCO CONSTRUCTION MASHINERY CO., LTD.**, Hiroshima-shi (JP); **SANDEN AUTOMOTIVE CLIMATE SYSTEMS CORPORATION**, Isesaki-shi (JP)

(Continued)
Primary Examiner — Susan E Krakower
Assistant Examiner — Jerry Shiuan-Hua Hsu
(74) *Attorney, Agent, or Firm* — Oblon, McClelland, Maier & Neustadt, L.L.P.

(**) Term: **15 Years**

(57) **CLAIM**

(21) Appl. No.: **29/681,855**

The ornamental design for an air conditioner operation panel, as shown and described.

(22) Filed: **Feb. 28, 2019**

(30) **Foreign Application Priority Data**

Aug. 31, 2018 (JP) 2018-018990

(51) **LOC (12) Cl.** **12-16**

(52) **U.S. Cl.**
USPC **D12/192**

(58) **Field of Classification Search**
USPC D12/415-420, 400, 195, 191, 106, 345,
D12/96, 99, 192, 190, 110, 114;
(Continued)

DESCRIPTION

FIG. 1 is a front elevational view of an air conditioner operation panel, showing our new design;
FIG. 2 is a rear elevational view thereof;
FIG. 3 is a top plan view thereof;
FIG. 4 is a bottom plan view thereof;
FIG. 5 is a right side elevational view thereof;
FIG. 6 is a left side elevational view thereof; and,
FIG. 7 is a front, top, and right side perspective view thereof.
The broken lines shown in the figures are for the purpose of illustrating portions of the air conditioner operation panel that form no part of the claimed design.

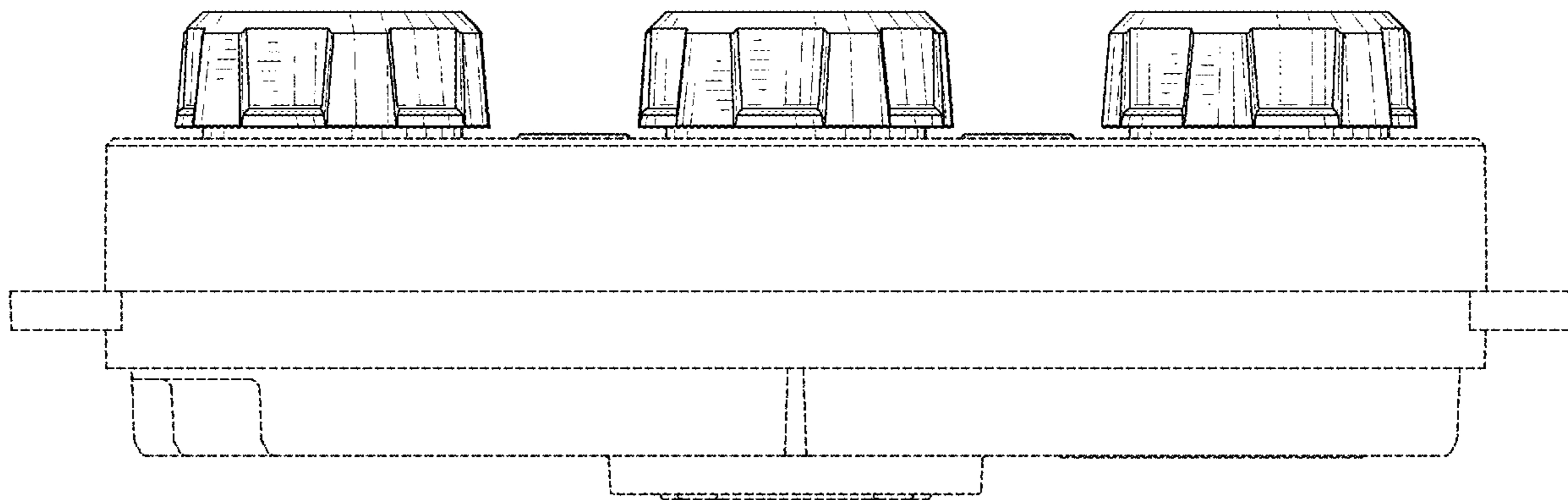
(56) **References Cited**

U.S. PATENT DOCUMENTS

D361,985 S * 9/1995 Snyder D10/102
5,700,191 A * 12/1997 Nieling B60H 1/00814
454/69

(Continued)

1 Claim, 6 Drawing Sheets



(58) **Field of Classification Search**
 USPC D23/324, 314, 325, 326, 327; D13/162,
 D13/164, 171, 173, 174, 177; D14/157,
 D14/485, 489, 492, 488, 490; D20/28,
 D20/35; D8/311, 310, 300, 305, 307,
 D8/312; D15/17, 28; D10/46, 98, 102,
 D10/103, 122-127
 CPC .. B60H 1/0065; B60H 1/00814; B60K 37/06;
 H01H 19/11
 See application file for complete search history.

(56) **References Cited**

U.S. PATENT DOCUMENTS

D474,137 S * 5/2003 Wyszogrod D12/192
 D528,485 S * 9/2006 Montijo D12/192
 D534,628 S * 1/2007 Chisenhall D12/192
 D543,828 S * 6/2007 Strutini-Belinoff D8/310
 7,394,399 B2 * 7/2008 Aoki B60H 1/0065
 340/815.78
 D680,205 S * 4/2013 Rejkowski D23/324
 D706,188 S * 6/2014 Bachorski D12/192
 D786,650 S * 5/2017 Lira-Nunez D8/311
 D824,827 S * 8/2018 Fujii D12/192
 D842,072 S * 3/2019 Nilssen D8/311
 D852,101 S * 6/2019 Ko D12/192
 D864,090 S * 10/2019 Buffery D12/415
 D868,951 S * 12/2019 Rejkowski D23/324
 D870,644 S * 12/2019 Buffery D12/415
 2006/0175422 A1 * 8/2006 Hall H01H 19/11
 236/91 D
 2016/0048153 A1 * 2/2016 De La Coba Denninger
 B60K 37/06
 74/471 R

FOREIGN PATENT DOCUMENTS

CN 303519914 S 12/2015
 JP 1035470 3/1999
 JP 1266739 S 2/2006
 JP 1323385 3/2008

JP 1461787 S 1/2013
 JP 1516880 S 1/2015
 JP 1531743 S 7/2015
 KR 30-0406436 S 2/2006
 KR 30-0572550 S 9/2010
 KR 30-0742290 S 5/2014
 KR 30-0868680 S 8/2016
 KR 30-0868685 S 8/2016

OTHER PUBLICATIONS

Nissan Motor Co., LTD., Retrieved from the internet: <http://www2.nissan.co.jp/ADEXPERT/Y12/0612/EQUIP/main1.html>, Mar. 17, 2007, 1 page.
 Fuji Heavy Industries Ltd., Retrieved from the internet: <http://www.subaru.co.jp/impieza/sportswagon/utility/01/index.html>, Jun. 23, 2005, 3 pages.
 Fuji Heavy Industries Ltd., Retrieved from the internet: <http://www.subaru.jp/impieza/wrxsti/index.html>, Mar. 16, 2009, 1 page.
 Suzuki Motor Corporation, Retrieved from the internet: <http://www.suzuki.co.jp/salomon/sx4/interior.html>, Nov. 26, 2007, 1 page.
 Hyundai Motor Co., Ltd., Retrieved from the internet: <http://sonata.hyundai-motor.com/enter.htm>, Nov. 26, 2007, 1 page.
 Tata Motors Limited, Retrieved from the internet: <https://safari.tatamotors.com/storme/image-gallery>, Dec. 15, 2015, 2 pages.
 Automotive Aftermarket, Automotive News Co., Ltd., No. 580, Apr. 1, 2006, p. 14.
 Car and Driver, Diamond, Inc., vol. 35 No. 5, May 1, 2012, p. 58.
 Car Graphic, Nigensha Co., Ltd., vol. 51 No. 12, Dec. 1, 2012, p. 125.
 Car and Driver, Diamond, Inc., vol. 38 No. 4, Apr. 1, 2015, p. 29.
 Golf Digest, Golf Digest/Tennis, Inc., vol. 55 No. 6, Jul. 8, 2004, p. 165.
 L' Automobile Magazine, Motor Presse France, No. 845, Oct. 5, 2016, p. 90.
 L' Automobile Magazine, Motor Presse France, No. 857, Oct. 11, 2017, p. 55.
 Camry, Toyota Motor Corporation, Oct. 29, 2008, p. 17.
 Nissan Sylphy, Nissan Motor Co., Ltd., Dec. 19, 2007, 1 page.
 S X 4 Suzuki, Suzuki Motor Corporation, Dec. 26, 2007, 2 pages.

* cited by examiner

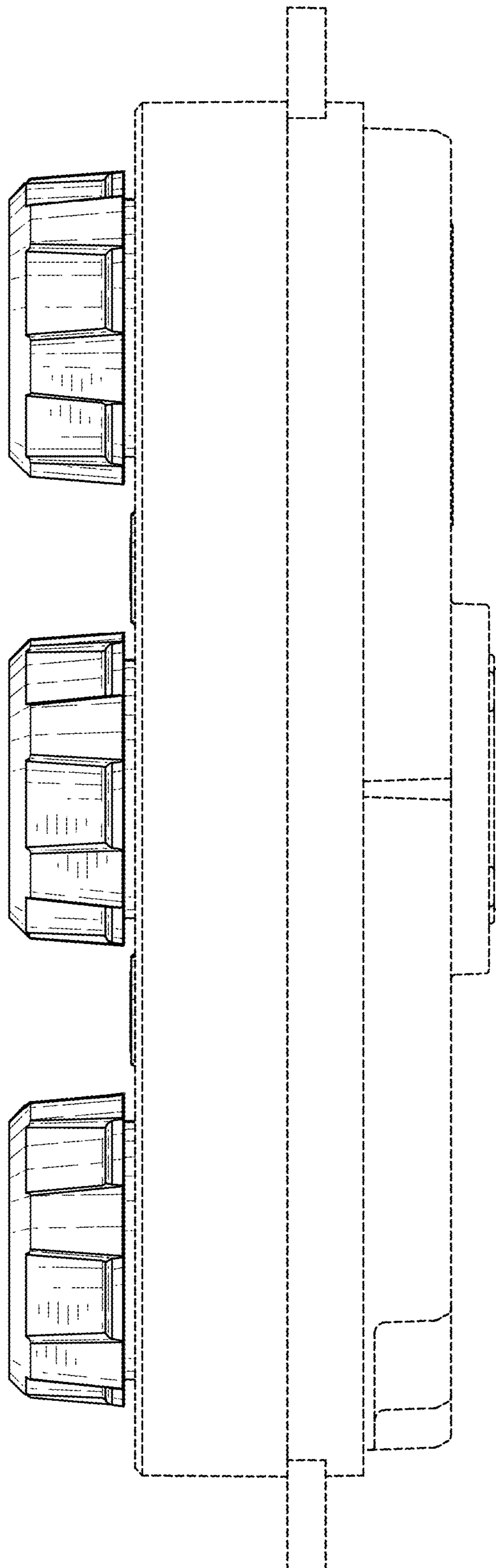


FIG. 1

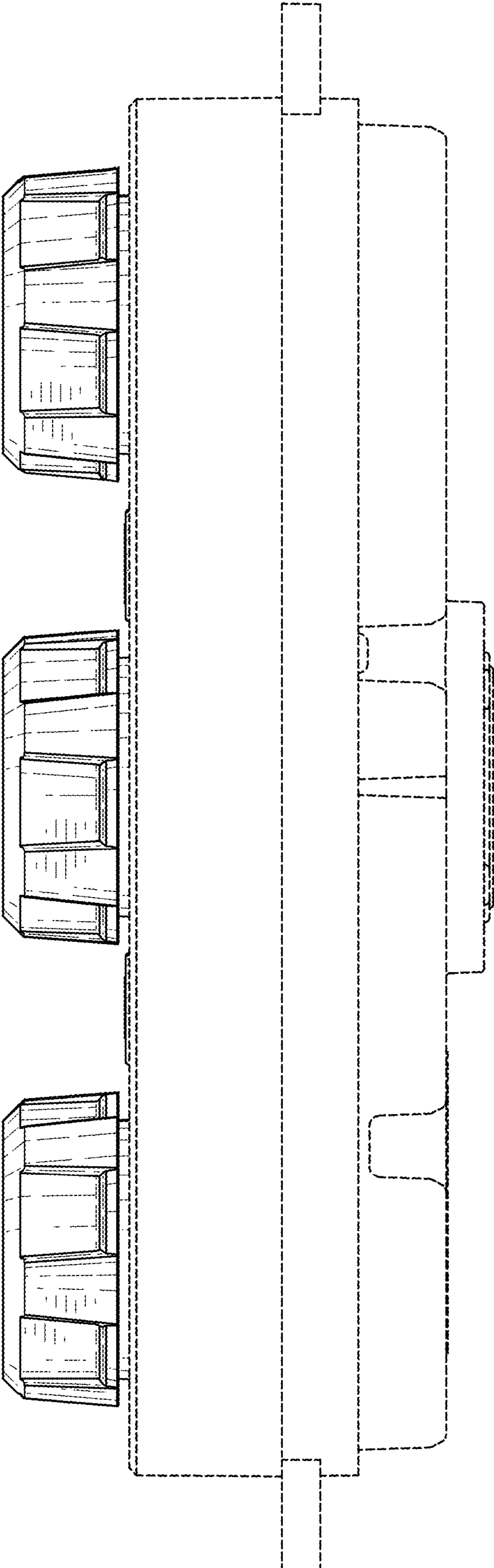


FIG. 2

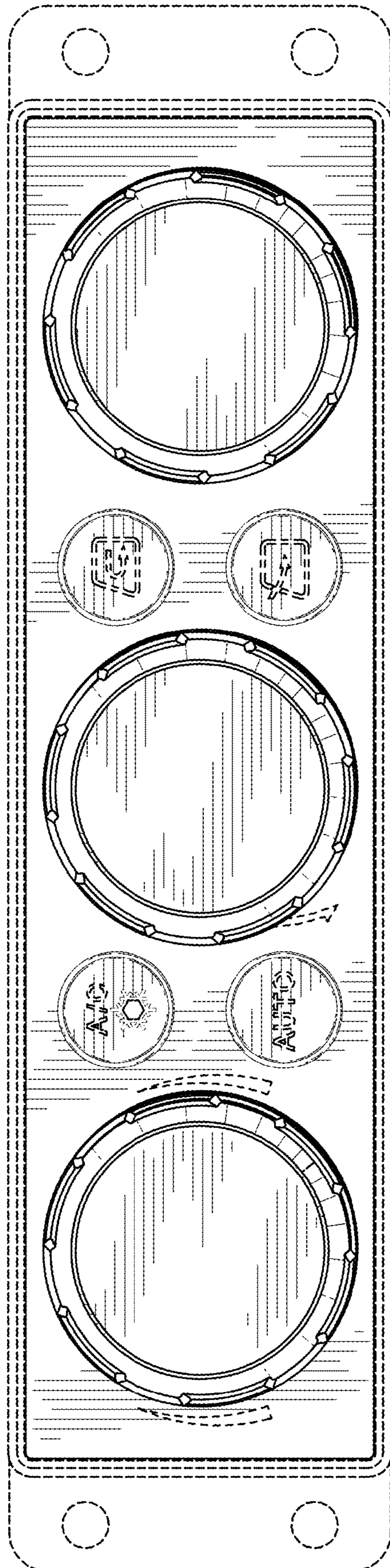


FIG. 3

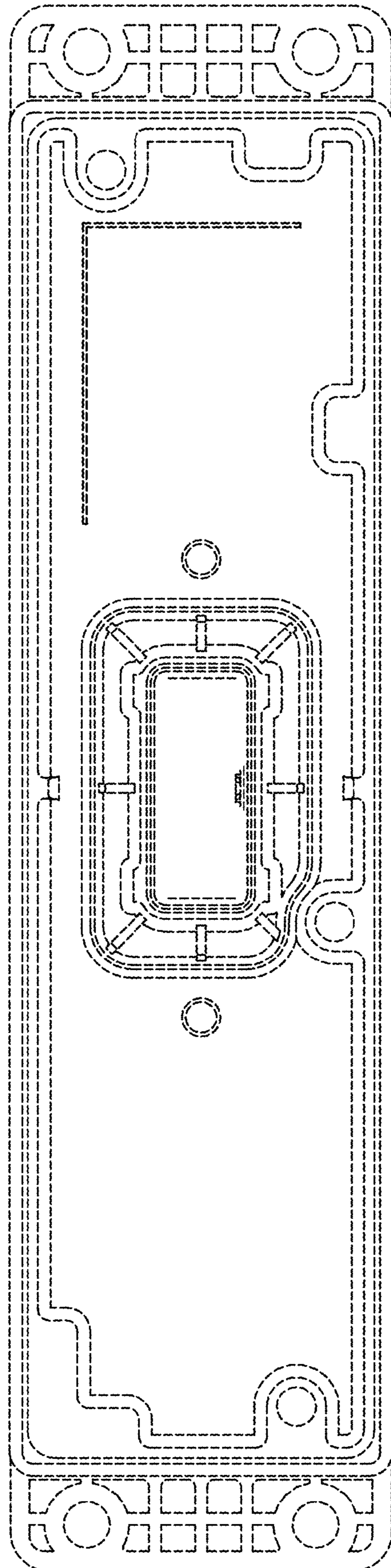


FIG. 4

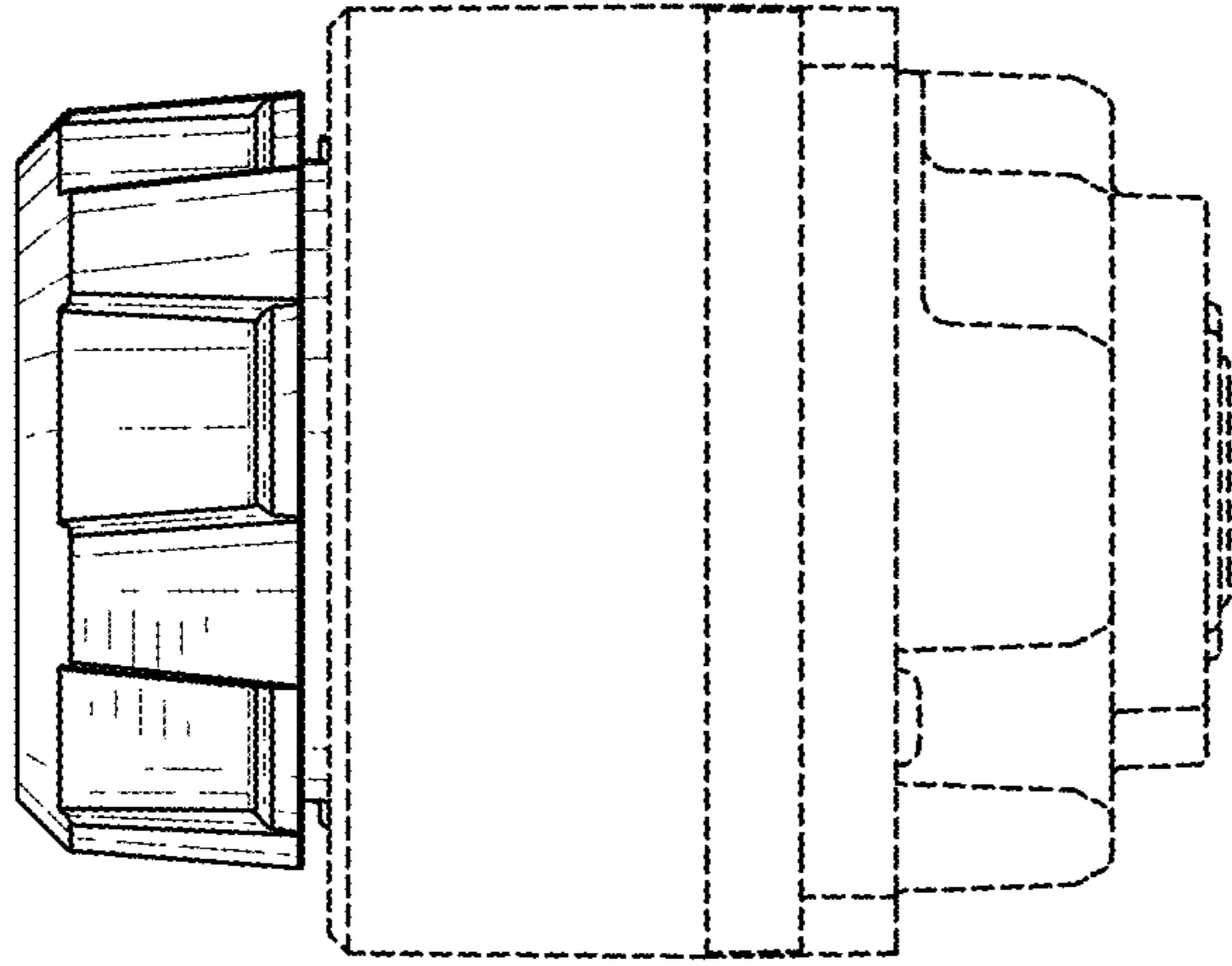


FIG. 5

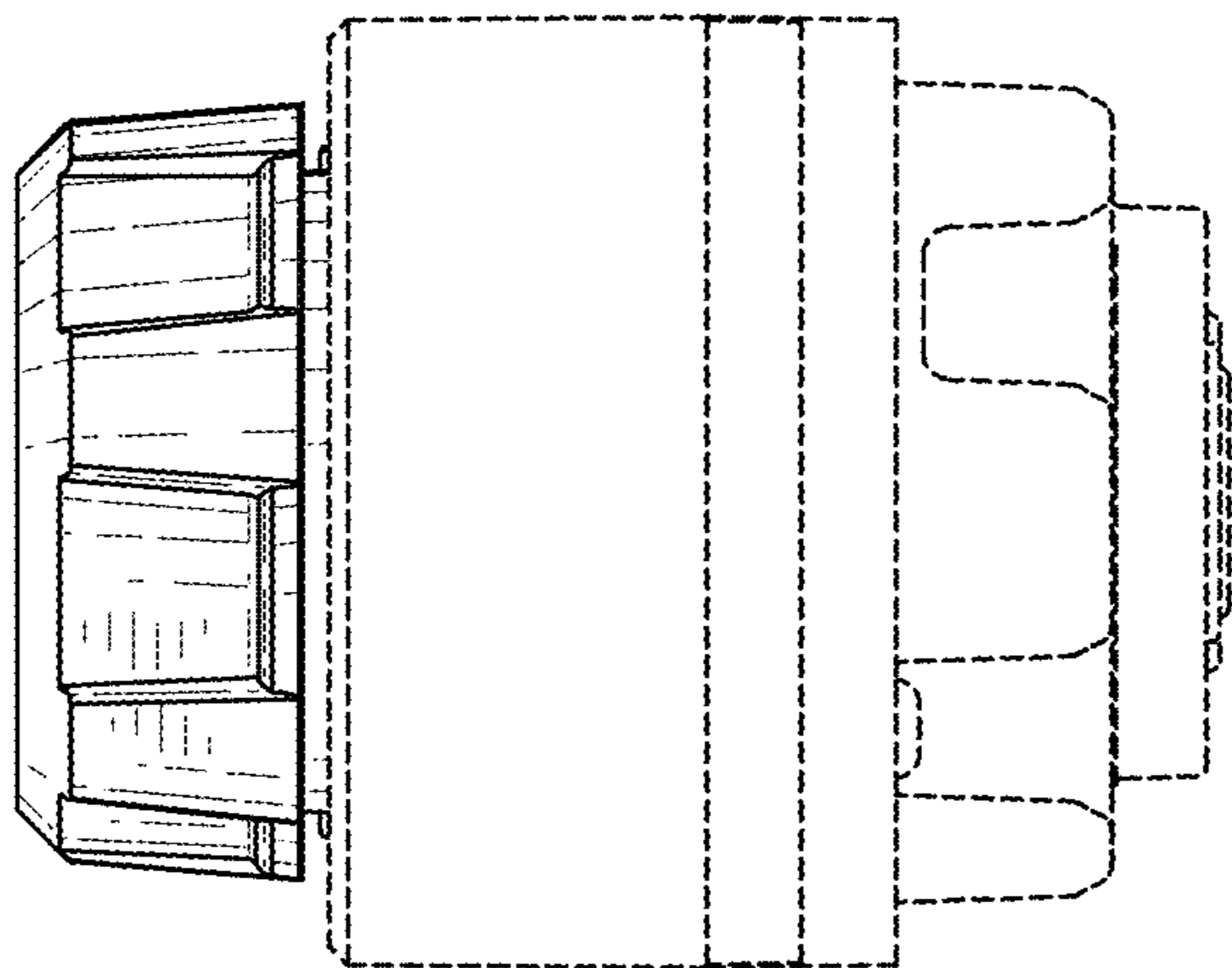


FIG. 6

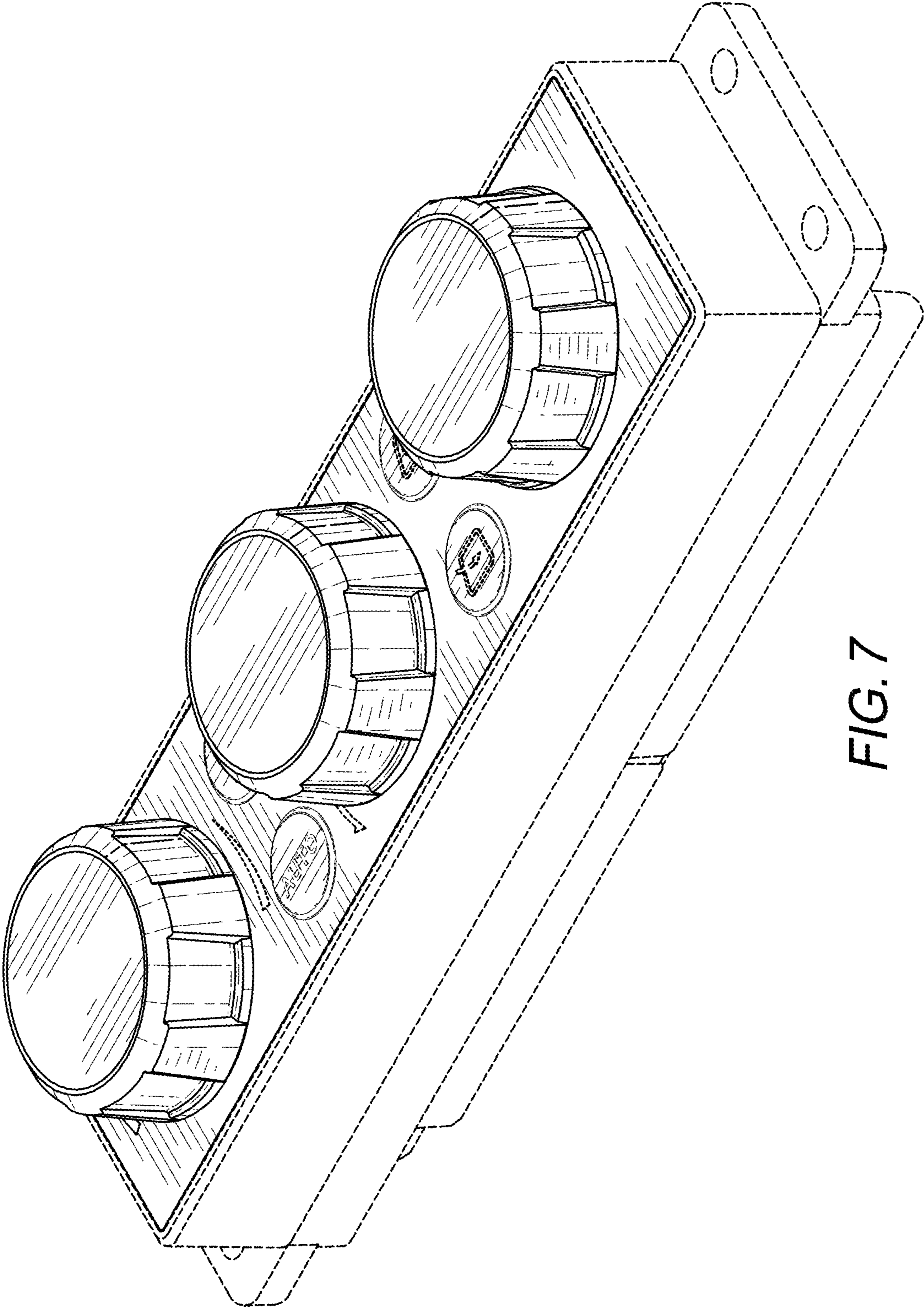


FIG. 7

UNITED STATES PATENT AND TRADEMARK OFFICE
CERTIFICATE OF CORRECTION

PATENT NO. : D897,252 S
APPLICATION NO. : 29/681855
DATED : September 29, 2020
INVENTOR(S) : Koji Fujikawa et al.

Page 1 of 1

It is certified that error appears in the above-identified patent and that said Letters Patent is hereby corrected as shown below:

On the Title Page

Item (73) should read:

--(73) Assignees: **KOBELCO CONSTRUCTION MACHINERY CO., LTD.**,
Hiroshima-shi (JP);
SANDEN AUTOMOTIVE CLIMATE SYSTEMS CORPORATION,
Isesaki-shi (JP)--

Signed and Sealed this
First Day of June, 2021



Drew Hirshfeld
*Performing the Functions and Duties of the
Under Secretary of Commerce for Intellectual Property and
Director of the United States Patent and Trademark Office*