



US00D897251S

(12) **United States Design Patent** (10) **Patent No.:** **US D897,251 S**
Stopka (45) **Date of Patent:** **** Sep. 29, 2020**

(54) **SPOILER FOR MOTOR VEHICLE**
(71) Applicant: **Dr. Ing. h.c. F. Porsche**
Aktiengesellschaft, Stuttgart (DE)
(72) Inventor: **Thomas Stopka, Pforzheim (DE)**
(73) Assignee: **Dr. Ing. h.c. F. Porsche**
Aktiengesellschaft (DE)

D870,005 S * 12/2019 Yamashita D12/181
D881,091 S * 4/2020 Smith D12/181
D882,466 S * 4/2020 Yong D12/169
D883,154 S * 5/2020 Scheinhutte D12/181
D887,925 S * 6/2020 Metros D12/181
D888,635 S * 6/2020 Zipfel D12/196
D889,327 S * 7/2020 Lu D12/169
D890,654 S * 7/2020 Buck D12/181
D891,333 * 7/2020 Baum D12/181

(**) Term: **15 Years**
(21) Appl. No.: **29/701,072**
(22) Filed: **Aug. 8, 2019**

(30) **Foreign Application Priority Data**
Feb. 26, 2019 (DE) 40 2019 100 232
(51) **LOC (12) Cl.** **12-16**
(52) **U.S. Cl.**
USPC **D12/181**
(58) **Field of Classification Search**
USPC D12/181, 182, 183, 184, 191, 400
CPC B32B 3/00; B60S 9/205
See application file for complete search history.

(56) **References Cited**
U.S. PATENT DOCUMENTS
D465,180 S * 11/2002 Yokomaku D12/181
D669,005 S 10/2012 Varga
D699,646 S 2/2014 Saracoglu
D727,809 S 4/2015 Scheinhütte
D790,402 S * 6/2017 Perini D12/92
D811,300 S 2/2018 Yamahsita et al.
D826,784 S * 8/2018 Hauser D12/92
D829,606 S * 10/2018 Jin D12/88

OTHER PUBLICATIONS

Design U.S. Appl. No. 29/621,335, by Burki, filed Oct. 6, 2017.
Design U.S. Appl. No. 29/621,739, by Scheinhütte, filed Oct. 11, 2017.

* cited by examiner

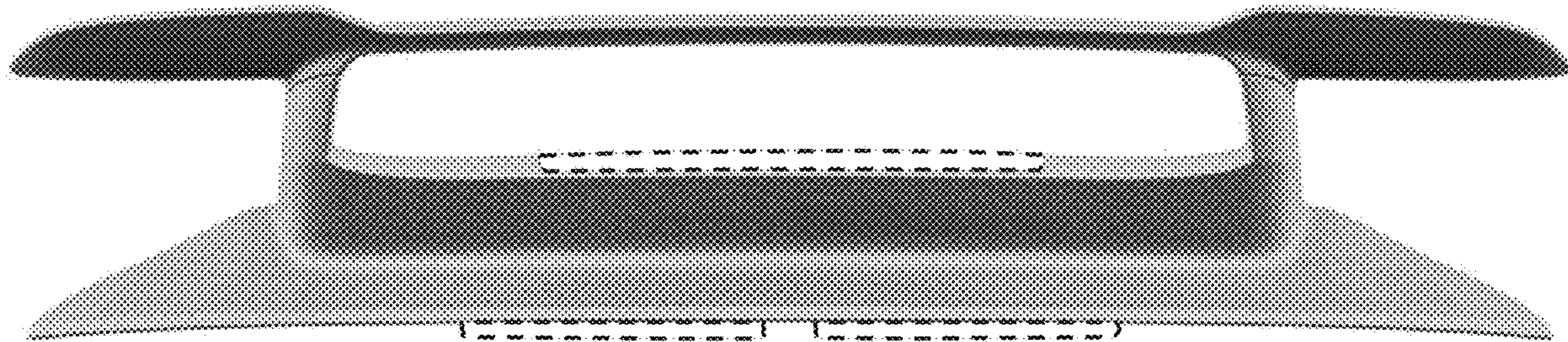
Primary Examiner — Katrina A Betton
(74) *Attorney, Agent, or Firm* — RatnerPrestia

(57) **CLAIM**
The ornamental design for a spoiler for motor vehicle, as shown and described.

DESCRIPTION

FIG. 1 is a front side perspective view of a spoiler for motor vehicle;
FIG. 2 is a rear side perspective view thereof;
FIG. 3 is a front elevation view thereof;
FIG. 4 is a rear elevation view thereof;
FIG. 5 is a perspective view thereof from the left side;
FIG. 6 is a perspective view thereof from the right side;
FIG. 7 is a top plan view thereof; and,
FIG. 8 is a bottom plan view thereof.
The broken lines illustrate portions of the spoiler for motor vehicle that form no part of the claimed design.

1 Claim, 4 Drawing Sheets



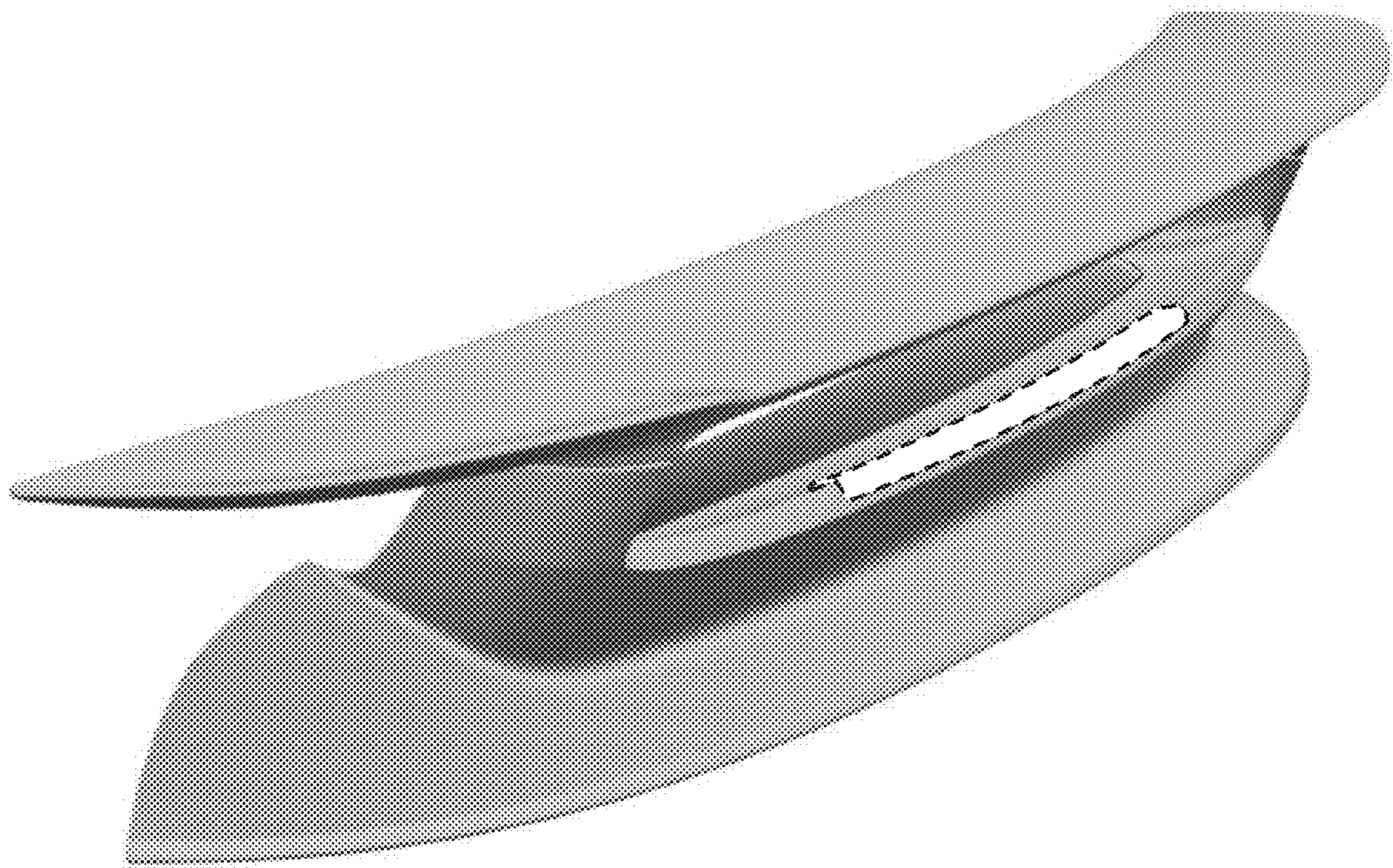


FIG. 1

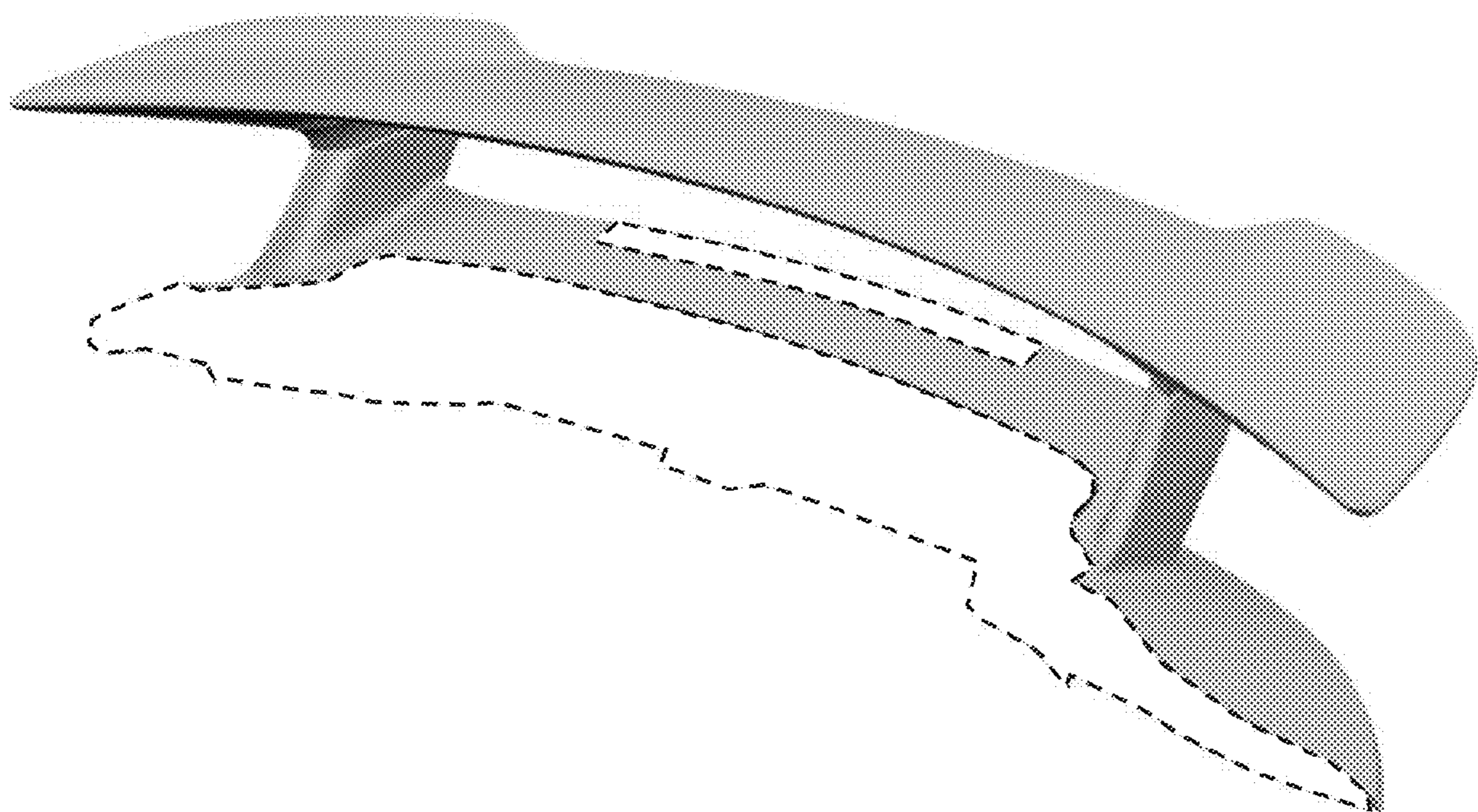


FIG. 2

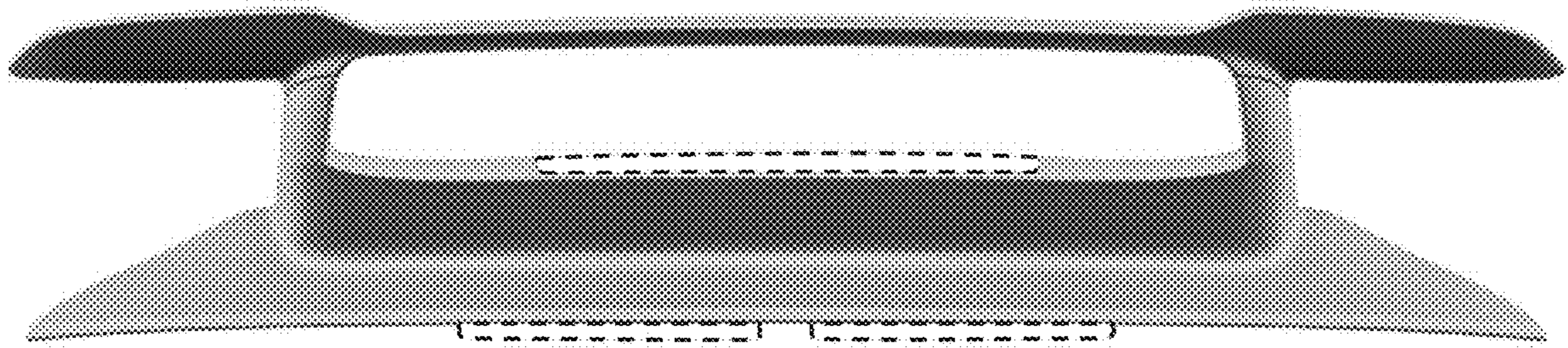


FIG. 3

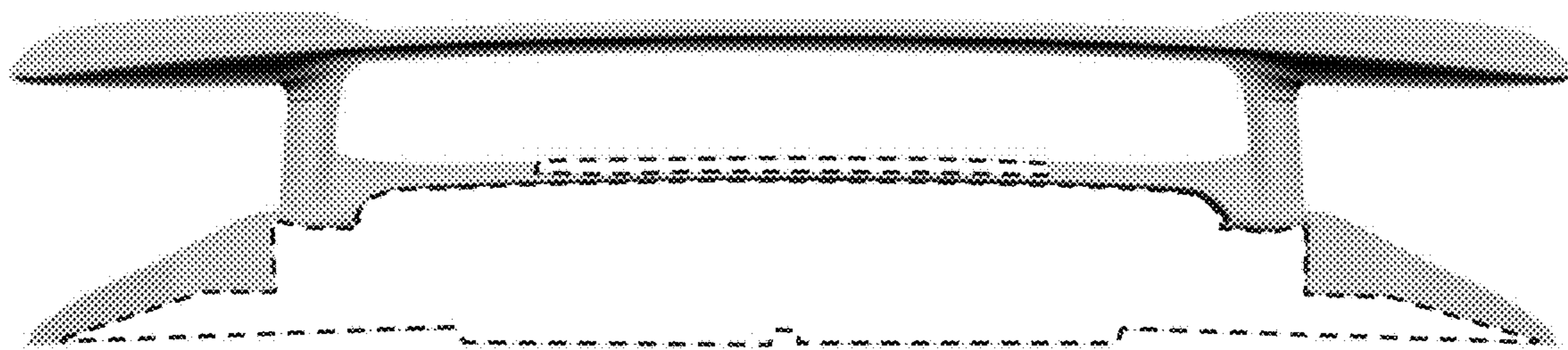


FIG. 4

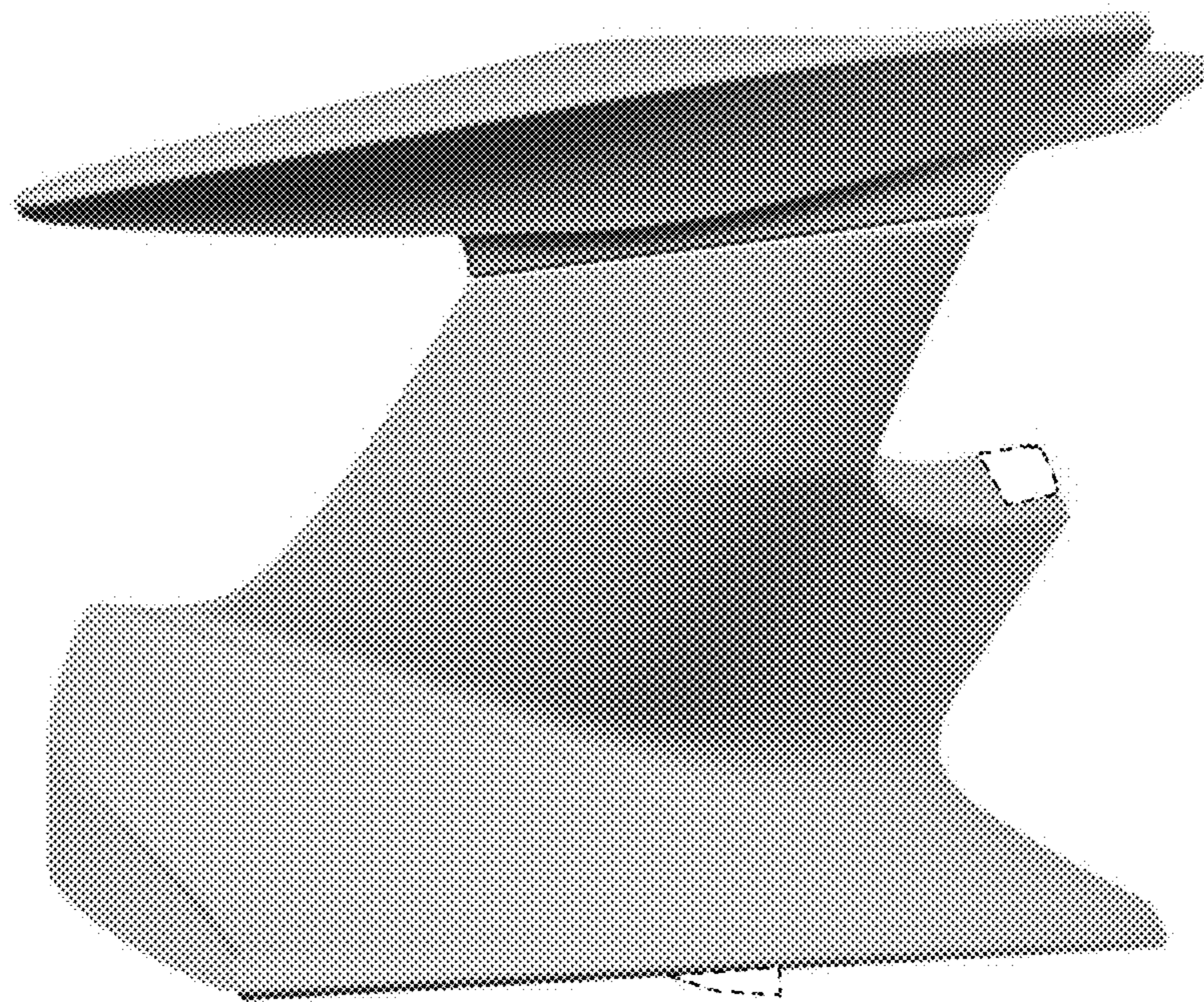


FIG. 5

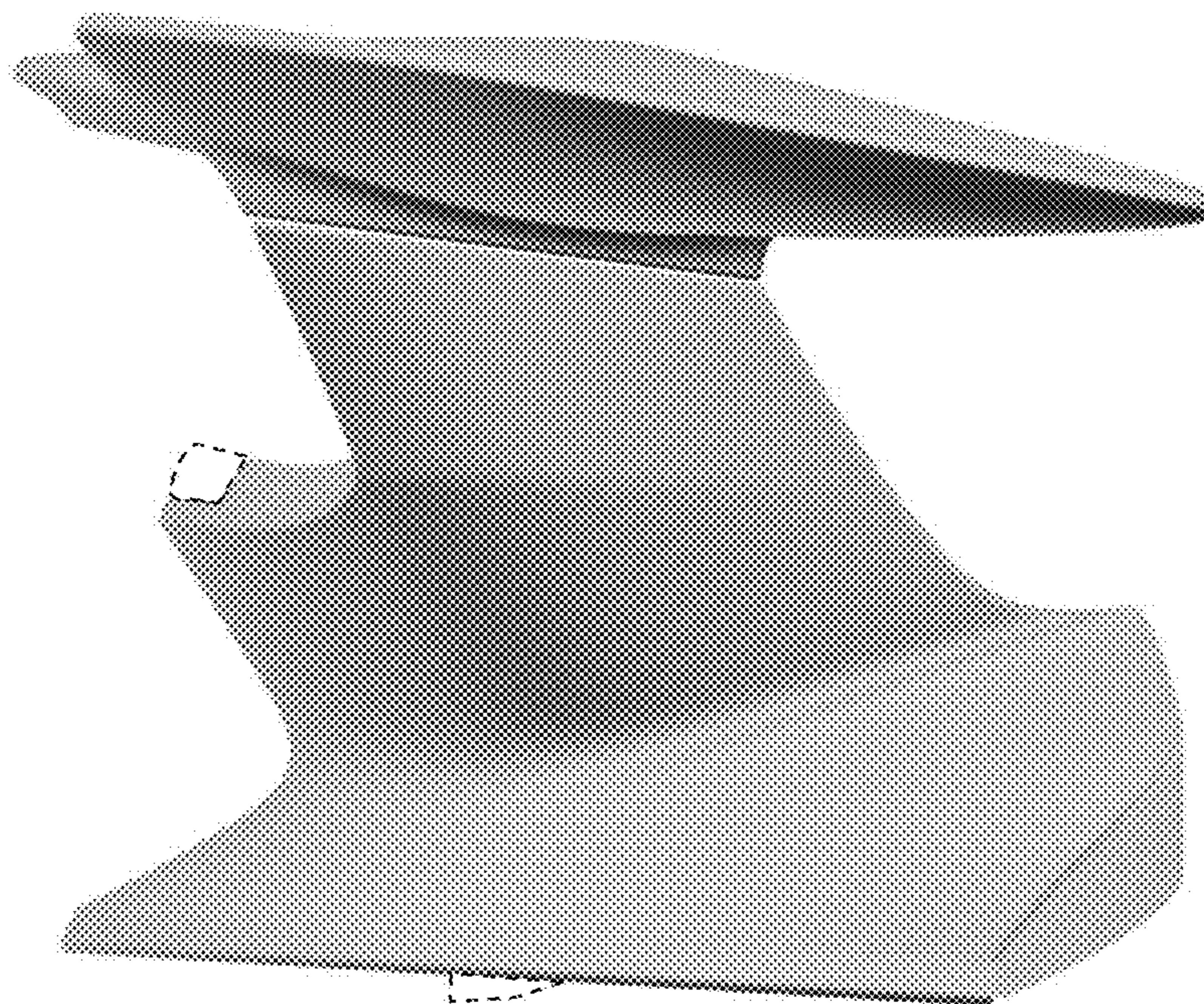


FIG. 6

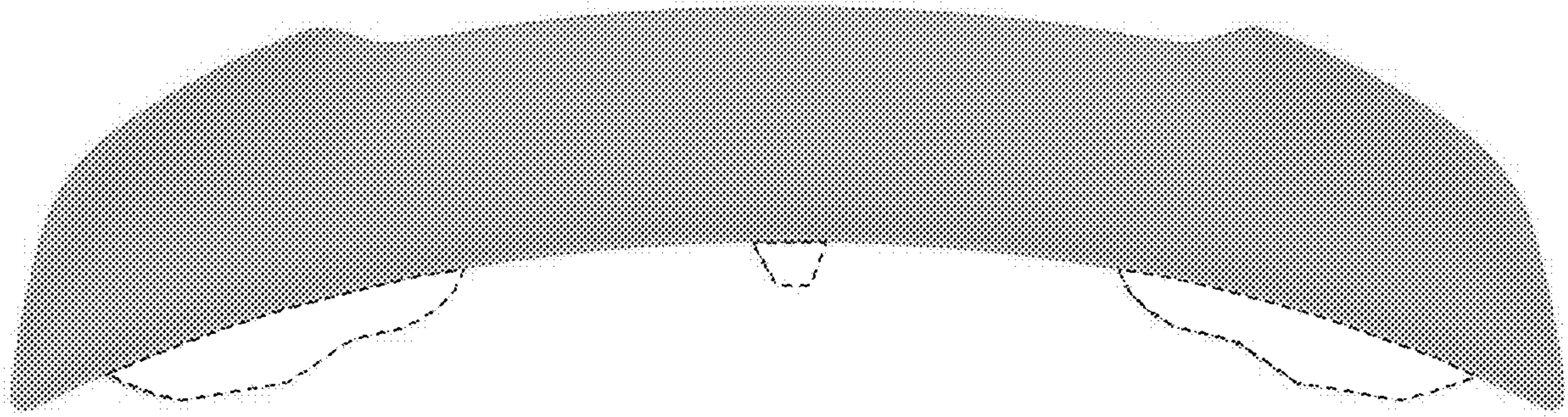


FIG. 7

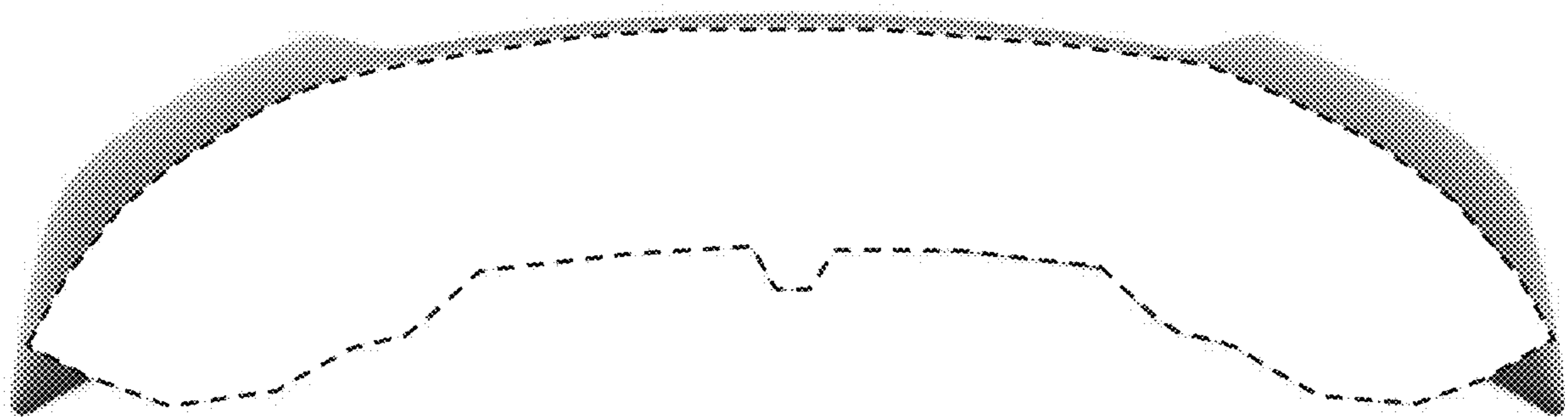


FIG. 8