

US00D897250S

(12) **United States Design Patent** (10) **Patent No.:** **US D897,250 S**
Larson (45) **Date of Patent:** **** Sep. 29, 2020**

(54) **SPOILER FOR MOTOR VEHICLE**
(71) Applicant: **Dr. Ing. h.c. F. Porsche**
Aktiengesellschaft, Stuttgart (DE)

D883,154 S * 5/2020 Scheinhutte D12/181
D887,925 S * 6/2020 Metros D12/181
D888,635 S * 6/2020 Zipfel D12/196
D889,327 S * 7/2020 Lu D12/169
D890,654 S * 7/2020 Buck D12/181
D891,333 * 7/2020 Baum D12/181

(72) Inventor: **Grant Larson, Illingen (DE)**

(73) Assignee: **Dr. Ing. h.c. F. Porsche**
Aktiengesellschaft (DE)

(**) Term: **15 Years**

(21) Appl. No.: **29/700,818**

(22) Filed: **Aug. 6, 2019**

(30) **Foreign Application Priority Data**

Feb. 18, 2019 (DE) 40 2019 100 197

(51) **LOC (12) Cl.** **12-16**

(52) **U.S. Cl.**
USPC **D12/181**

(58) **Field of Classification Search**
USPC D12/181, 182, 183, 184, 191, 400
CPC B32B 3/00; B60S 9/205
See application file for complete search history.

(56) **References Cited**

U.S. PATENT DOCUMENTS

D465,180 S * 11/2002 Yokomaku D12/181
D725,559 S 3/2015 Robinson
D727,227 S 4/2015 Schienhütte
D790,402 S * 6/2017 Perini D12/92
D811,300 S 2/2018 Yamahsita et al.
D826,784 S * 8/2018 Hauser D12/92
D829,606 S * 10/2018 Jin D12/88
D870,005 S * 12/2019 Yamashita D12/181
D881,091 S * 4/2020 Smith D12/181
D882,466 S * 4/2020 Yong D12/169

OTHER PUBLICATIONS

Design U.S. Appl. No. 29/613,579, by Scheinhütte, filed Aug. 11, 2017.
Design U.S. Appl. No. 29/645,452, by Schmölz, filed Apr. 26, 2018; and.
Design U.S. Appl. No. 29/646,151, by Yamashita, filed May 2, 2018.

* cited by examiner

Primary Examiner — Katrina A Betton
(74) *Attorney, Agent, or Firm* — RatnerPrestia

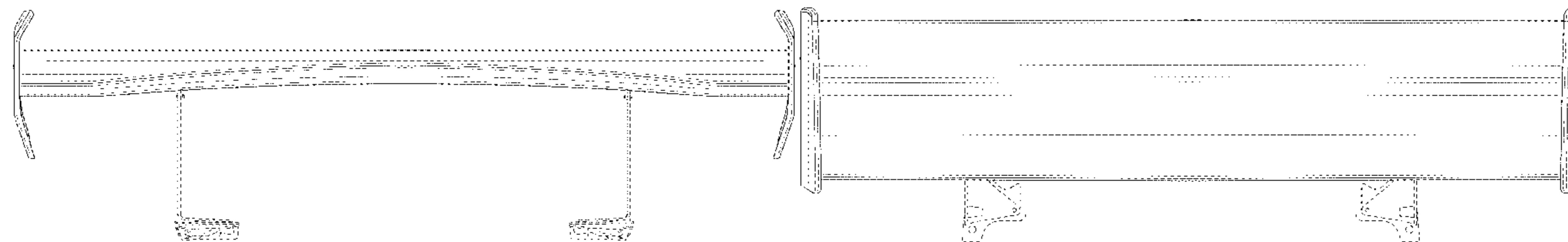
(57) **CLAIM**

The ornamental design for a spoiler for motor vehicle, as shown and described.

DESCRIPTION

FIG. 1 is a front side perspective view of a spoiler for motor vehicle;
FIG. 2 is a rear elevation view thereof;
FIG. 3 is a front elevation view thereof;
FIG. 4 is an elevation view thereof from the right side, the left side being a mirror image thereof;
FIG. 5 is a top plan view thereof; and,
FIG. 6 is a bottom plan view thereof.
The broken lines illustrate portions of the spoiler for motor vehicle that form no part of the claimed design.

1 Claim, 6 Drawing Sheets



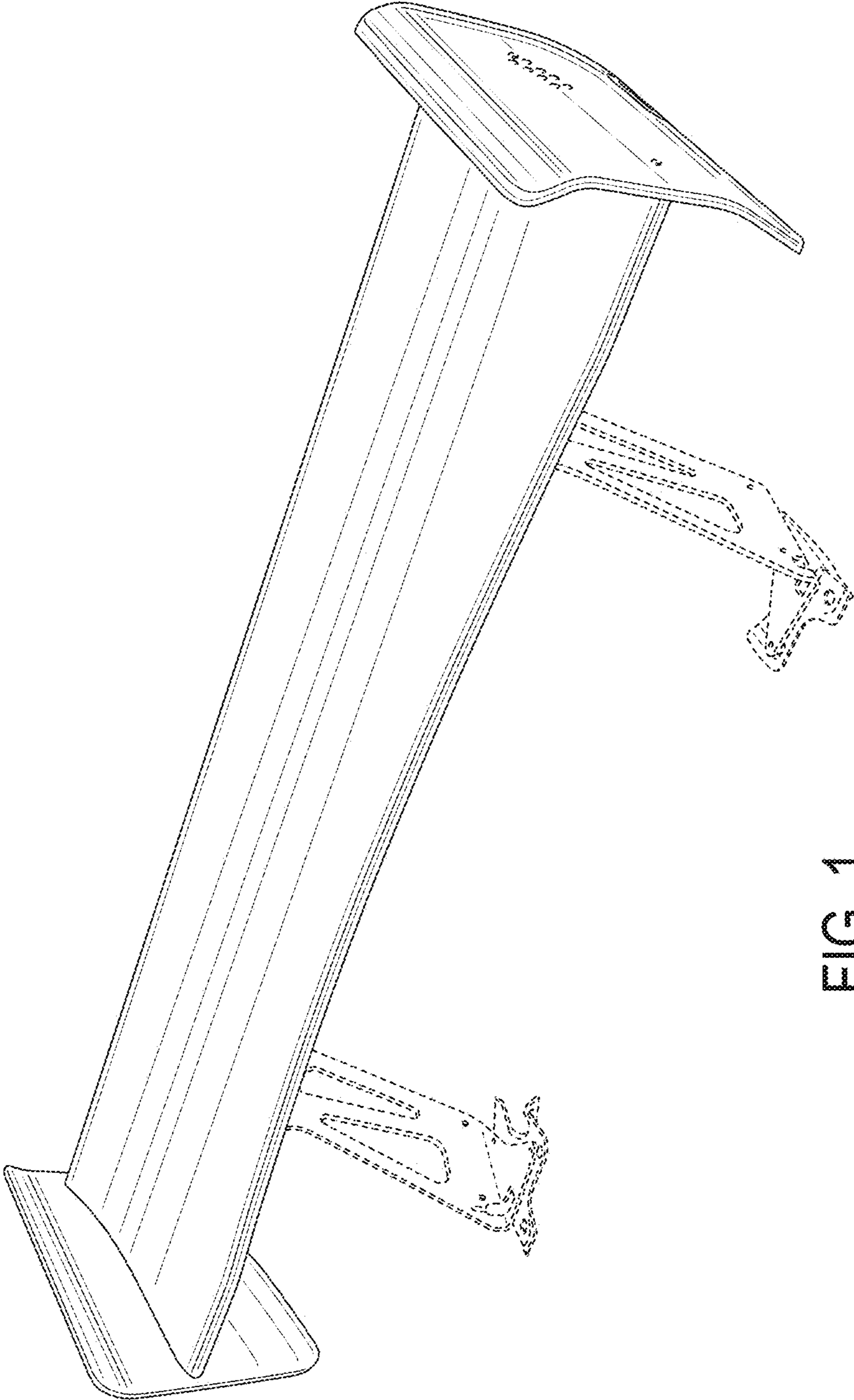


FIG. 1

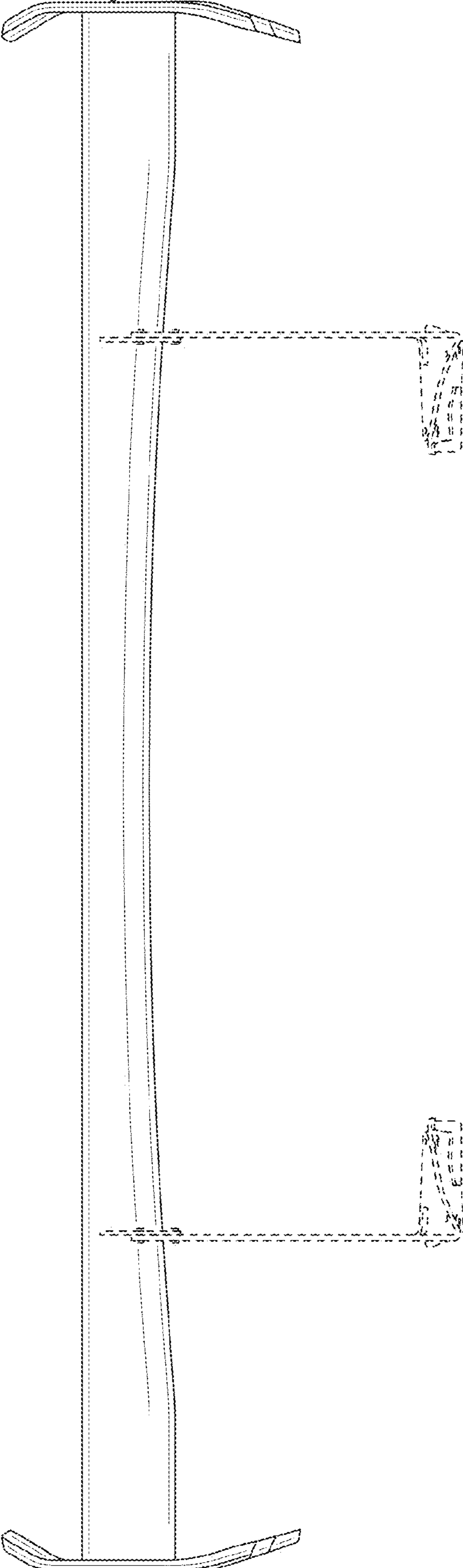


FIG. 2

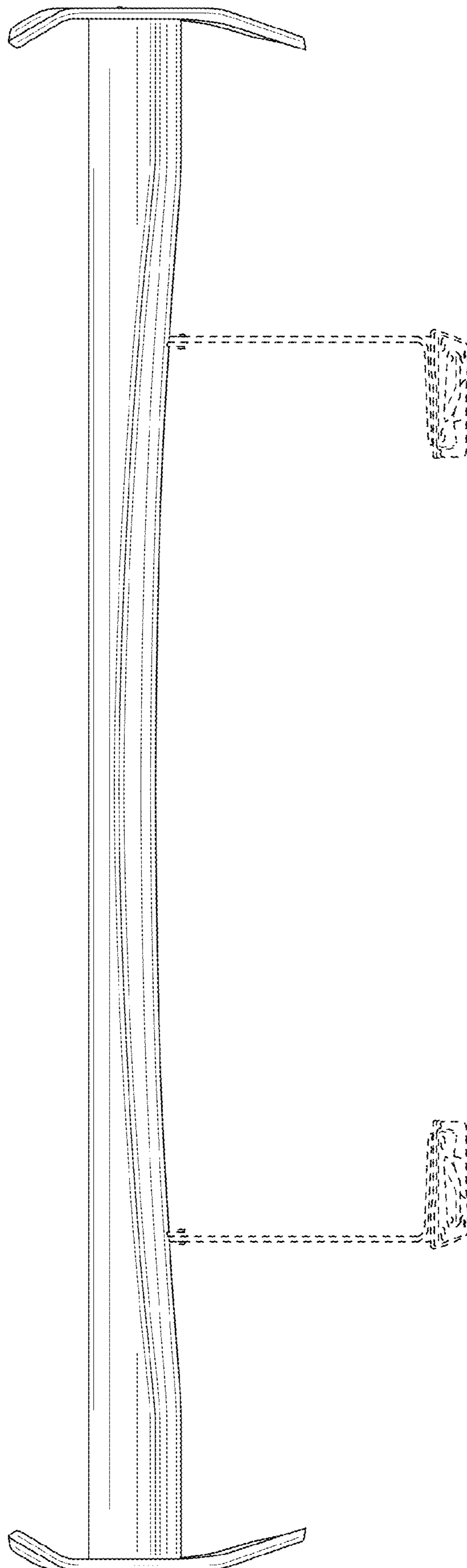


FIG. 3

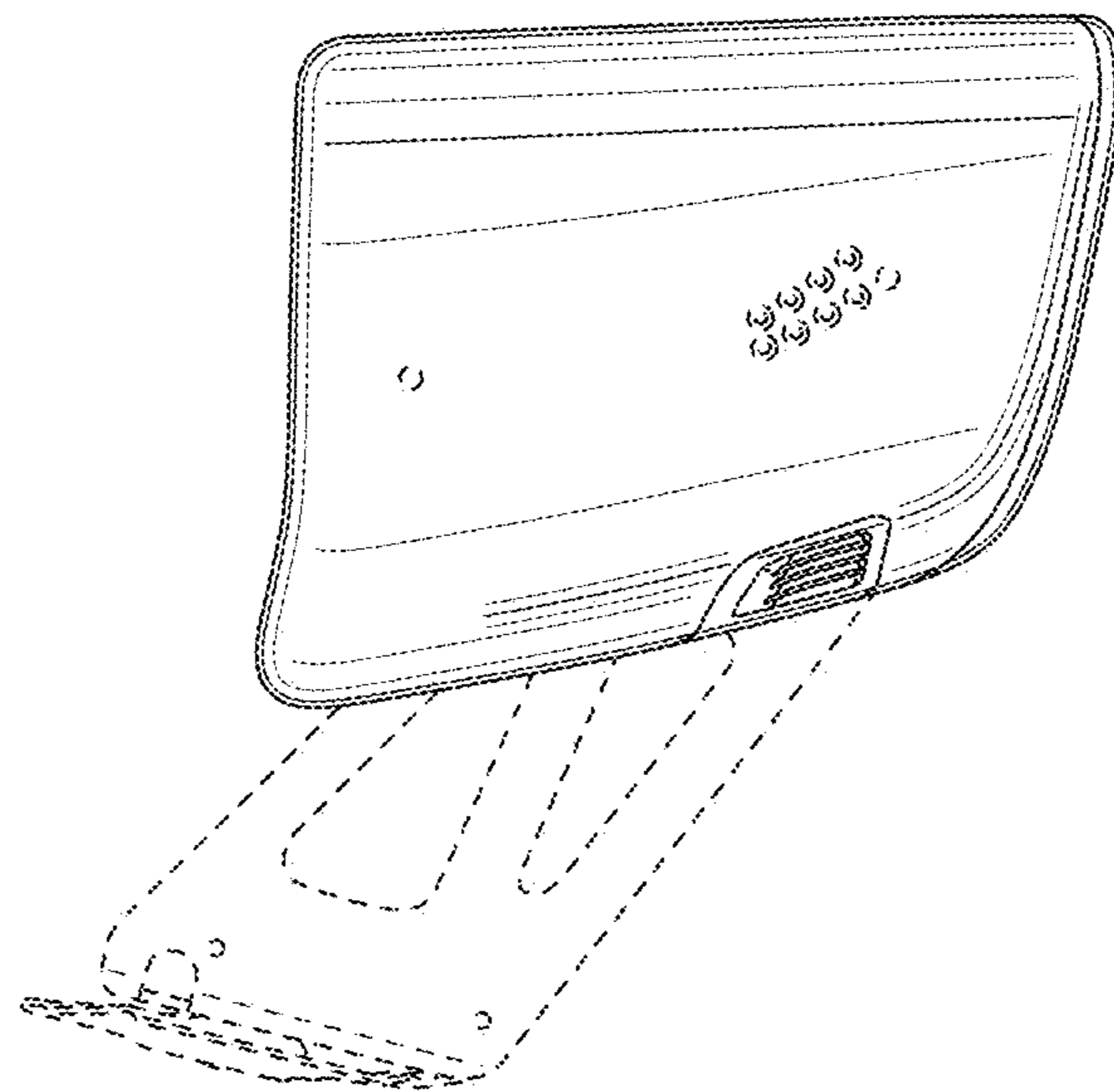


FIG. 4

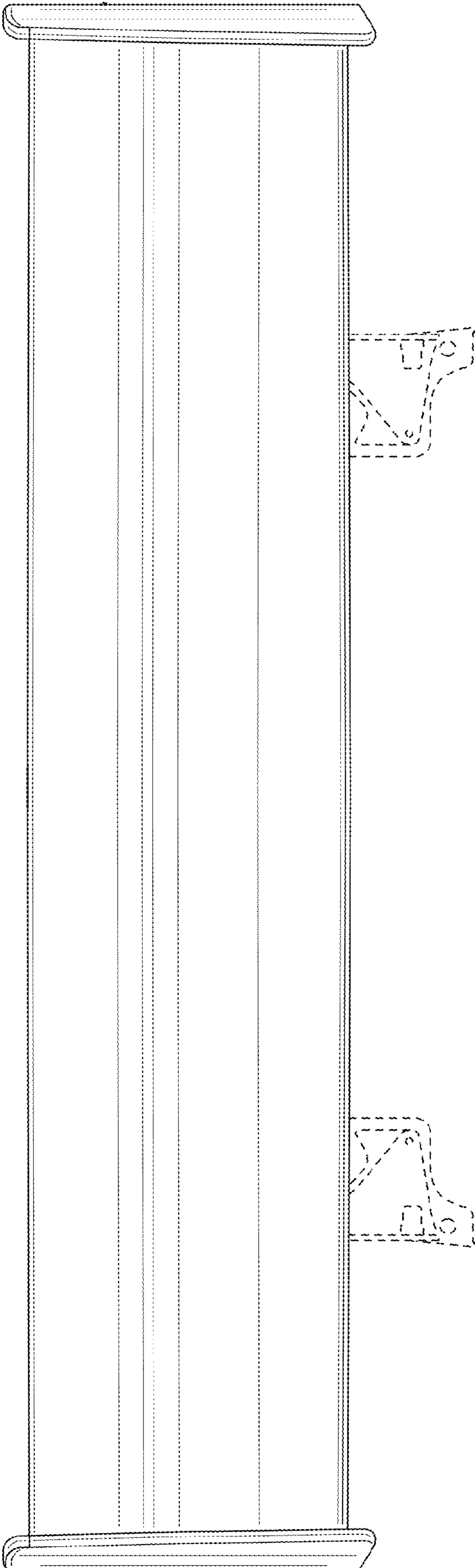


FIG. 5

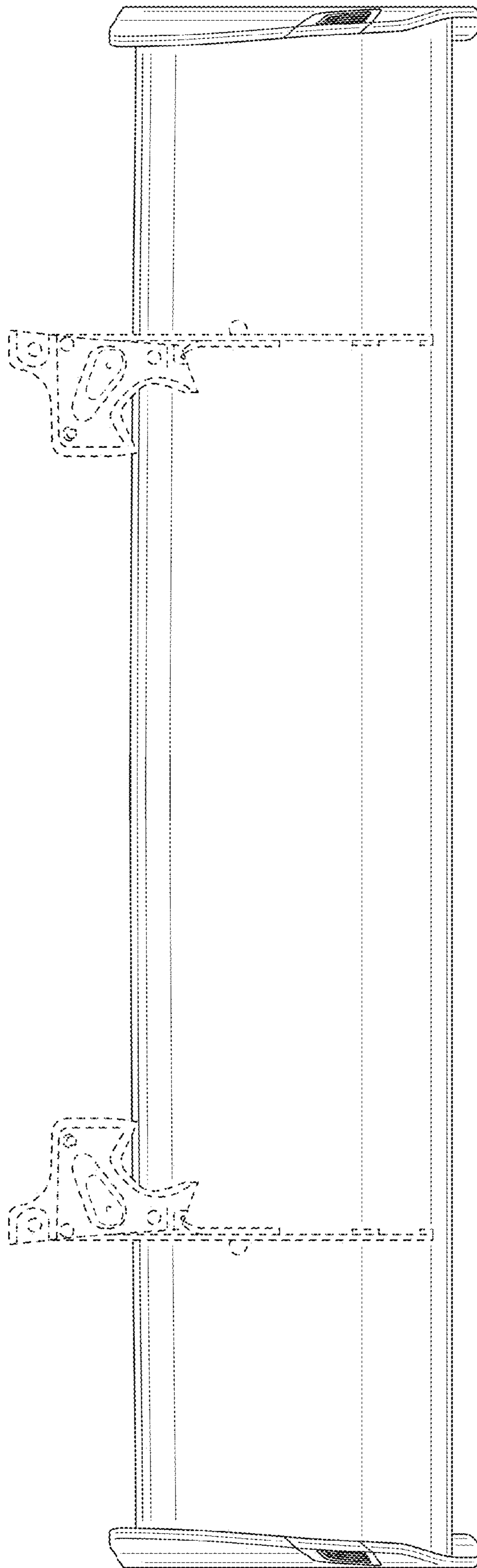


FIG. 6