



US00D897249S

(12) **United States Design Patent** (10) **Patent No.:** **US D897,249 S**
Baum (45) **Date of Patent:** **** Sep. 29, 2020**

(54) **SPOILER FOR MOTOR VEHICLE**

(71) Applicant: **Dr. Ing. h.c. F. Porsche**
Aktiengesellschaft, Stuttgart (DE)

(72) Inventor: **Benjamin Baum, Althengstett (DE)**

(73) Assignee: **Dr. Ing. h.c. F. Porsche**
Aktiengesellschaft (DE)

(**) Term: **15 Years**

(21) Appl. No.: **29/666,091**

(22) Filed: **Oct. 10, 2018**

(30) **Foreign Application Priority Data**

Apr. 13, 2018 (DE) 40 2018 100 402

(51) **LOC (12) Cl.** **12-16**

(52) **U.S. Cl.**
USPC **D12/181**

(58) **Field of Classification Search**
USPC D12/181, 191, 196, 400, 190, 88
CPC .. B62D 35/002; B62D 35/005; B62D 35/007;
B29C 49/20; B60T 1/16
See application file for complete search history.

(56) **References Cited**

U.S. PATENT DOCUMENTS

D345,135 S *	3/1994	Kaku	D12/181
D401,199 S *	11/1998	Kovach	D12/181
D403,638 S *	1/1999	Boniface	D12/181
D420,314 S *	2/2000	Kulla	D12/181
D435,817 S *	1/2001	Lai	D12/181
D436,905 S *	1/2001	Bhambra	D12/181
D441,331 S *	5/2001	Hatter	D12/181
6,293,613 B1 *	9/2001	Choi B62D 35/007	
			296/180.1	
D450,640 S *	11/2001	Igwe	D12/181
D498,720 S *	11/2004	Dyson	D12/181
D546,742 S *	7/2007	Lai	D12/181

D559,751 S *	1/2008	Djordjevic	D12/181
D659,615 S	5/2012	Varga	
D669,005 S *	10/2012	Varga	D12/181
D683,677 S *	6/2013	Varga	D12/181
D686,124 S *	7/2013	Kawasaki	D12/181
D699,646 S *	2/2014	Saracoglu	D12/181
D716,204 S *	10/2014	Butterworth	D12/181
D726,608 S *	4/2015	Curic	D12/181
D731,935 S	6/2015	Robinson	
D759,556 S *	6/2016	Wheel	D12/181

(Continued)

OTHER PUBLICATIONS

Design U.S. Appl. No. 29/615,767, by Baum et al., filed Aug. 31, 2017.

(Continued)

Primary Examiner — Susan E Krakower

Assistant Examiner — Jerry Shiuan-Hua Hsu

(74) *Attorney, Agent, or Firm* — RatnerPrestia

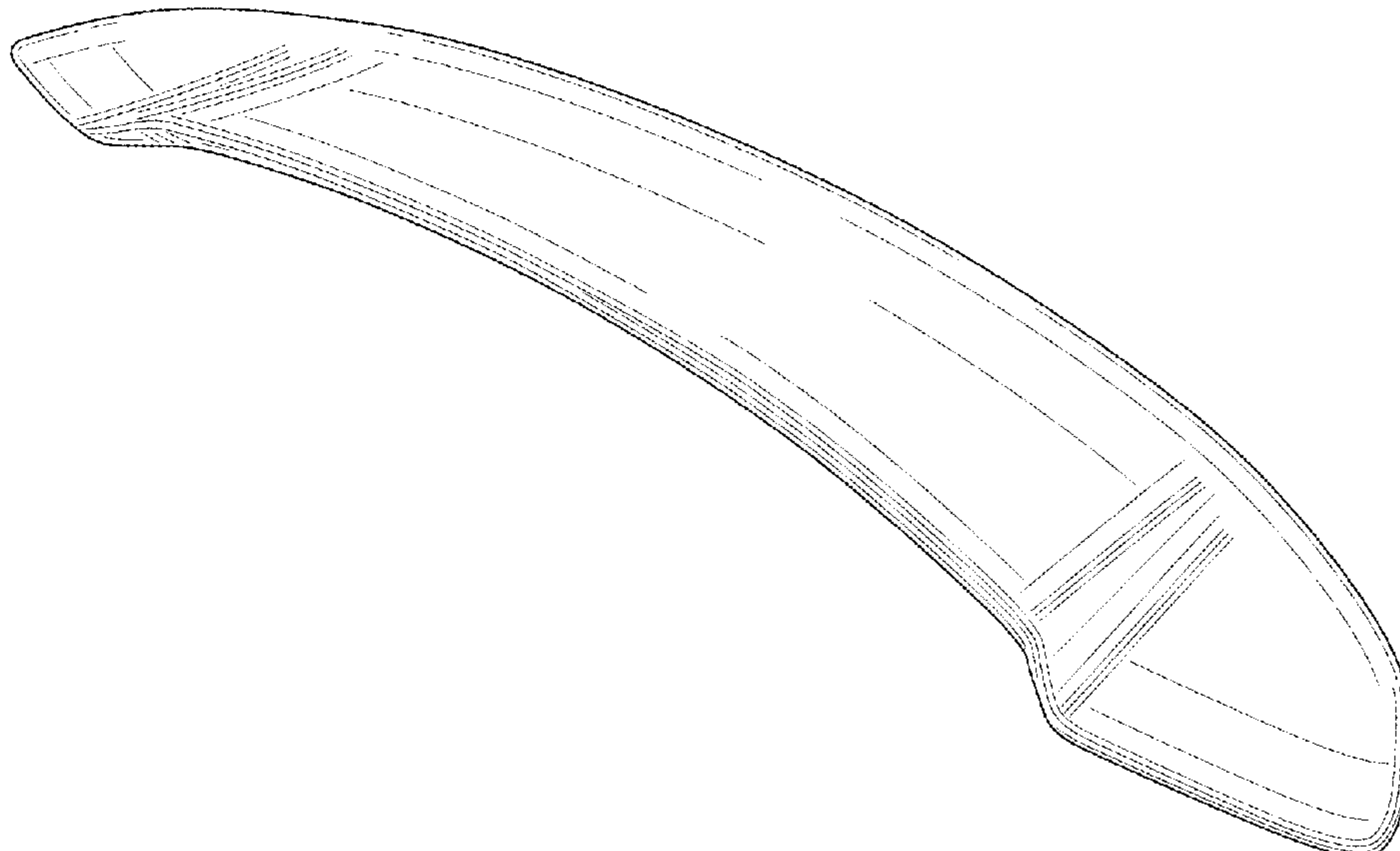
(57) **CLAIM**

The ornamental design for a spoiler for motor vehicle, as shown and described.

DESCRIPTION

FIG. 1 is a front side perspective view of a spoiler for motor vehicle, showing my new design;
FIG. 2 is a bottom rear perspective view thereof;
FIG. 3 is a front elevation view thereof;
FIG. 4 is a rear elevation view thereof;
FIG. 5 is a right side elevation view thereof, enlarged for ease of illustration;
FIG. 6 is a left side elevation view thereof, enlarged for ease of illustration;
FIG. 7 is a top plan view thereof; and,
FIG. 8 is a bottom plan view thereof.
The broken lines illustrate portions of the spoiler for motor vehicle that form no part of the claimed design.

1 Claim, 4 Drawing Sheets



(56)

References Cited

U.S. PATENT DOCUMENTS

D763,751 S 8/2016 Varga
D777,628 S * 1/2017 Kozub D12/181
D784,223 S * 4/2017 Lee D12/181
D784,877 S * 4/2017 Lee D12/181
D788,660 S * 6/2017 Buck D12/181
D816,568 S 5/2018 Scheinhütte
D817,828 S 5/2018 Scheinhütte
D827,524 S * 9/2018 Behmer D12/181
D828,251 S 9/2018 Varga
D867,241 S * 11/2019 Schmolz D12/181
D867,242 S * 11/2019 Schmolz D12/181
D867,243 S * 11/2019 Schmolz D12/181
2007/0069549 A1 * 3/2007 Nahm B29C 49/20
296/180.1
2014/0346810 A1 * 11/2014 Wild B62D 35/007
296/180.5
2016/0046334 A1 * 2/2016 Jeong B62D 35/007
296/180.5

OTHER PUBLICATIONS

Design U.S. Appl. No. 29/621,335 by Burki, filed Oct. 6, 2017.
Design U.S. Appl. No. 29/621,739 by Scheinhütte, filed Oct. 11,
2017.

* cited by examiner

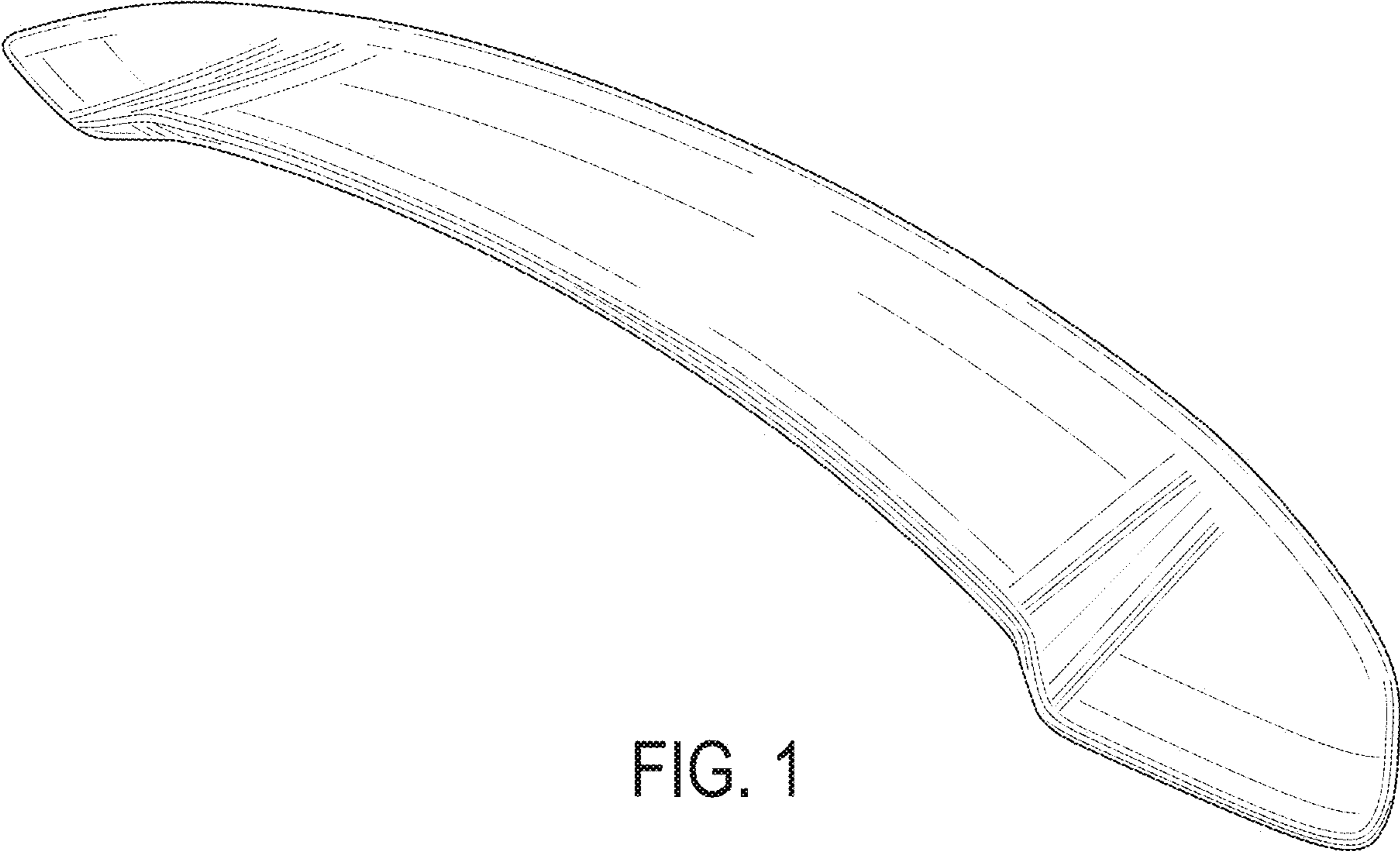


FIG. 1

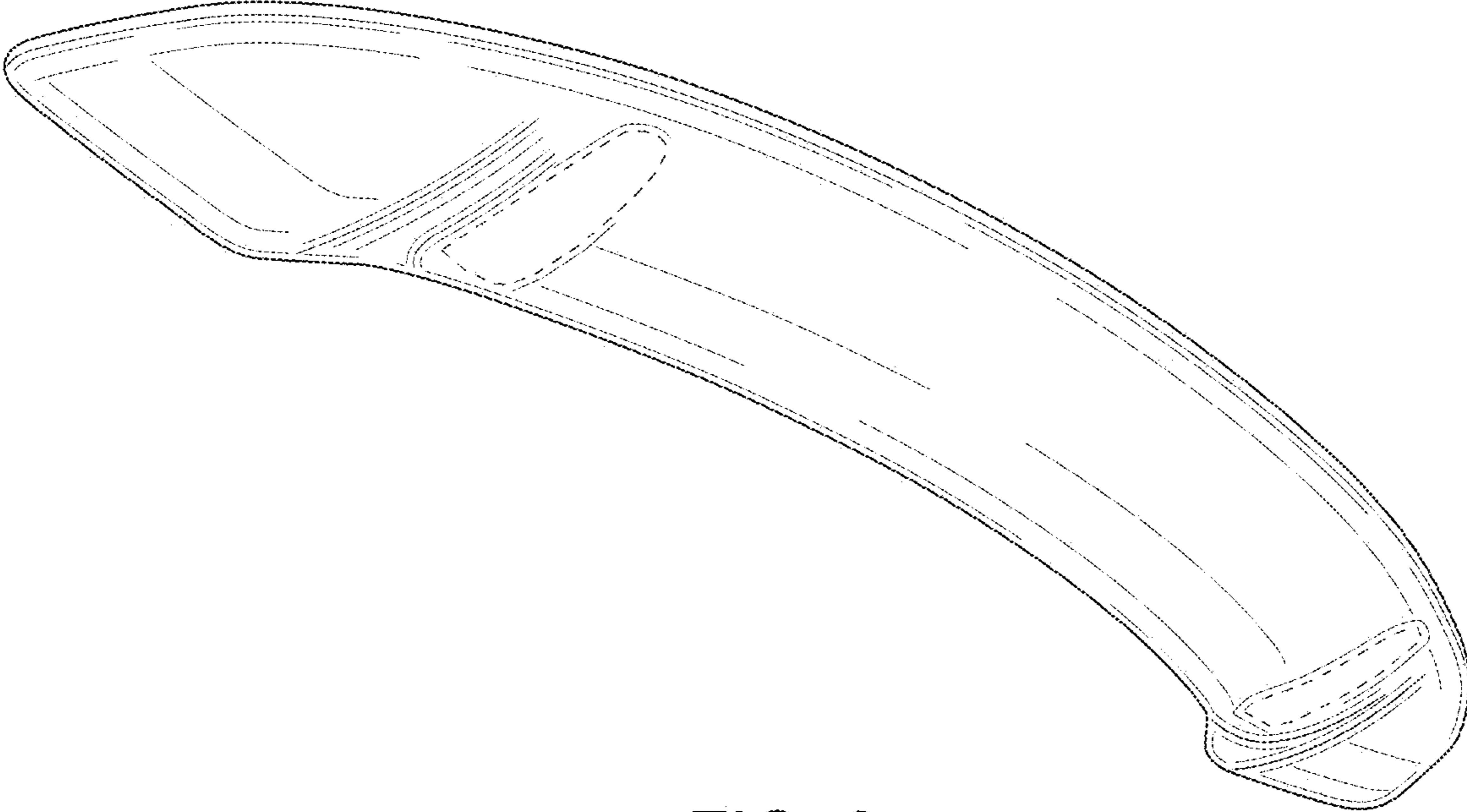


FIG. 2

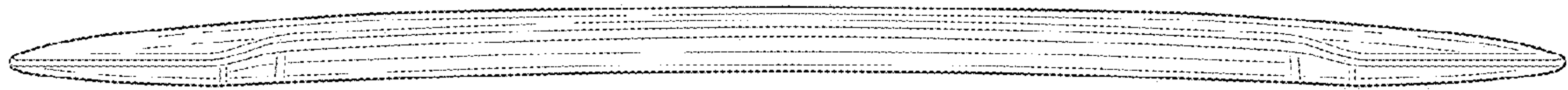


FIG. 3

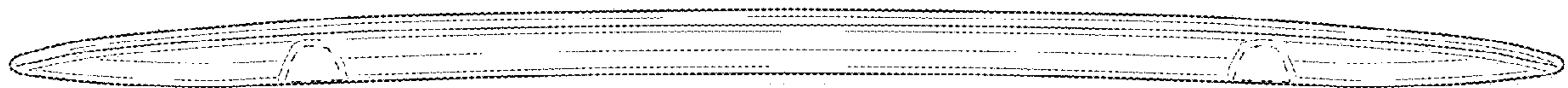


FIG. 4

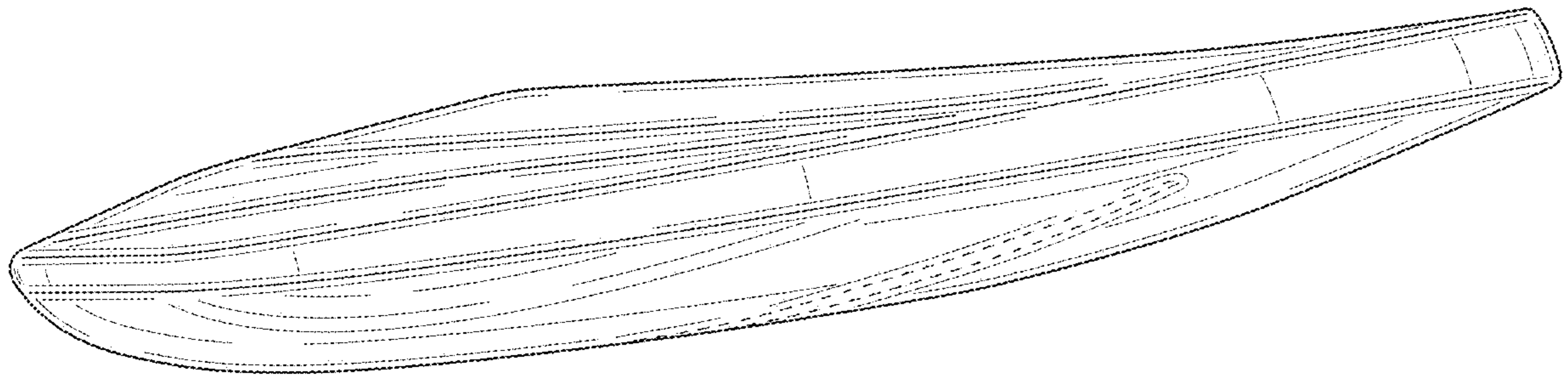


FIG. 5

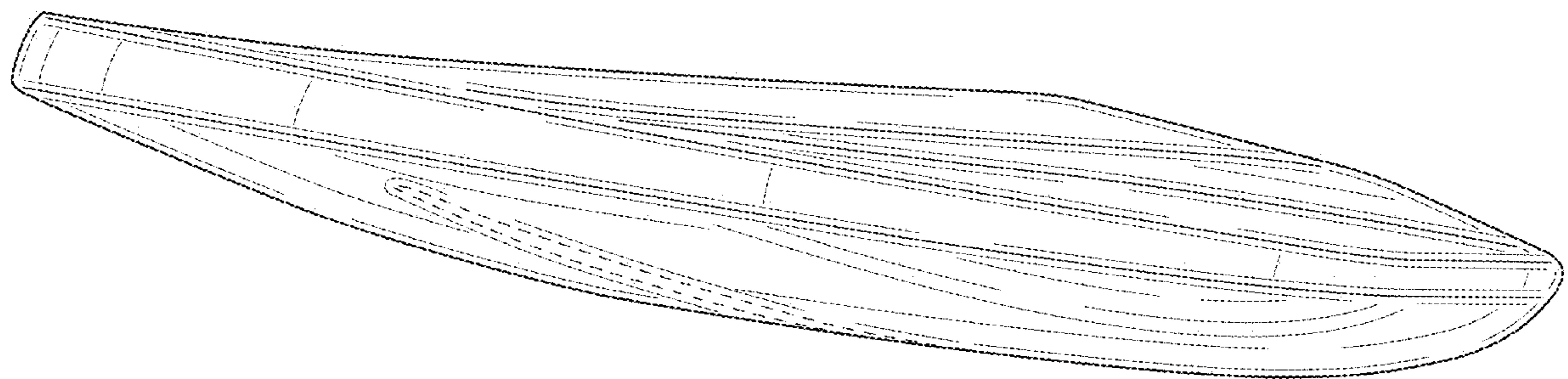


FIG. 6

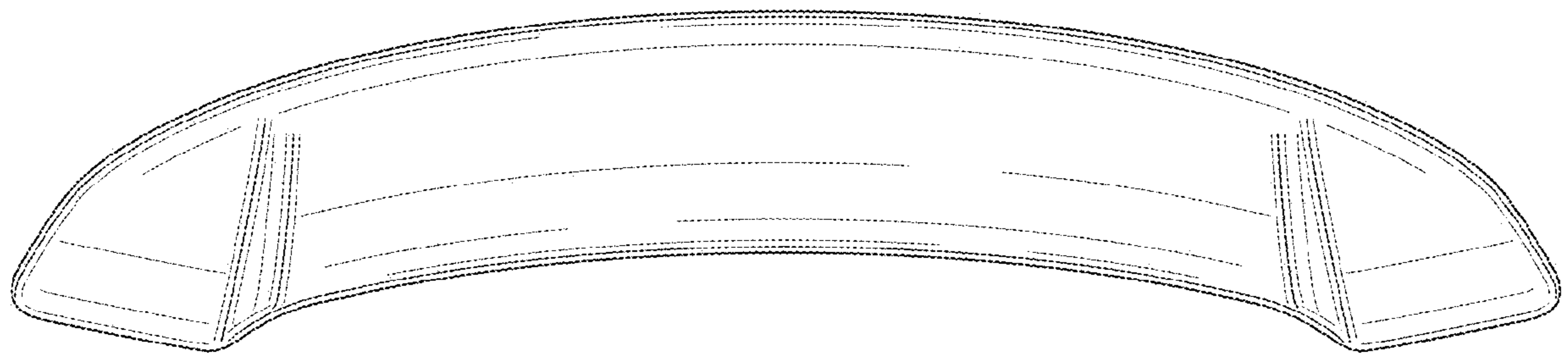


FIG. 7

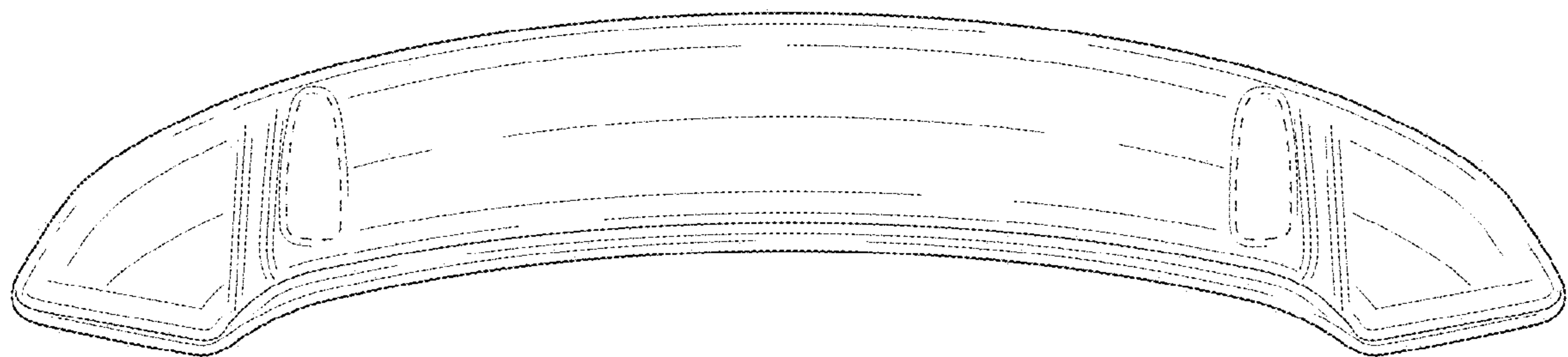


FIG. 8