

US00D897247S

(12) **United States Design Patent** (10) **Patent No.:** **US D897,247 S**
Rebick (45) **Date of Patent:** **** Sep. 29, 2020**

(54) **HITCH MOUNT ASSEMBLY**
(71) Applicant: **Michael S Rebick**, Little Rock, AR
(US)

D773,345 S * 12/2016 Borkholder D12/162
D795,756 S * 8/2017 McCuskey D12/162
D797,008 S * 9/2017 Borkholder D12/162
D857,565 S * 8/2019 McCuskey D12/162
(Continued)

(72) Inventor: **Michael S Rebick**, Little Rock, AR
(US)

(**) Term: **15 Years**

(21) Appl. No.: **29/722,476**

(22) Filed: **Jan. 30, 2020**

Related U.S. Application Data

(60) Division of application No. 29/708,107, filed on Oct. 3, 2019, now Pat. No. Des. 881,078, and a continuation of application No. 16/597,127, filed on Oct. 9, 2019.

(51) **LOC (12) Cl.** **12-16**

(52) **U.S. Cl.**
USPC **D12/162**

(58) **Field of Classification Search**
USPC D12/162, 159, 160, 161
CPC . B60D 1/60; B60D 1/065; B60D 1/00; B60D
1/06; B60D 1/36
See application file for complete search history.

(56) **References Cited**

U.S. PATENT DOCUMENTS

5,458,305 A 10/1995 Woodward
6,474,522 B1 11/2002 Johnson
6,769,704 B2 8/2004 Cipolla
7,114,736 B2 10/2006 Stodala et al.
7,185,904 B1 3/2007 Jones et al.
7,338,064 B1 3/2008 Williams
8,322,739 B1 12/2012 Fair et al.
8,727,364 B2 5/2014 Masanek et al.
D747,239 S * 1/2016 Wyers D12/162
9,415,647 B2 * 8/2016 Woolf B60D 1/04

OTHER PUBLICATIONS

RV.net Open Roads Forum; <https://www.rv.net/forum/index.cfm/fuseaction/thread/tid/27708080.cfm> ;last visited May 30, 2019.
(Continued)

Primary Examiner — Katrina A Betton
(74) *Attorney, Agent, or Firm* — Rashauna Norment

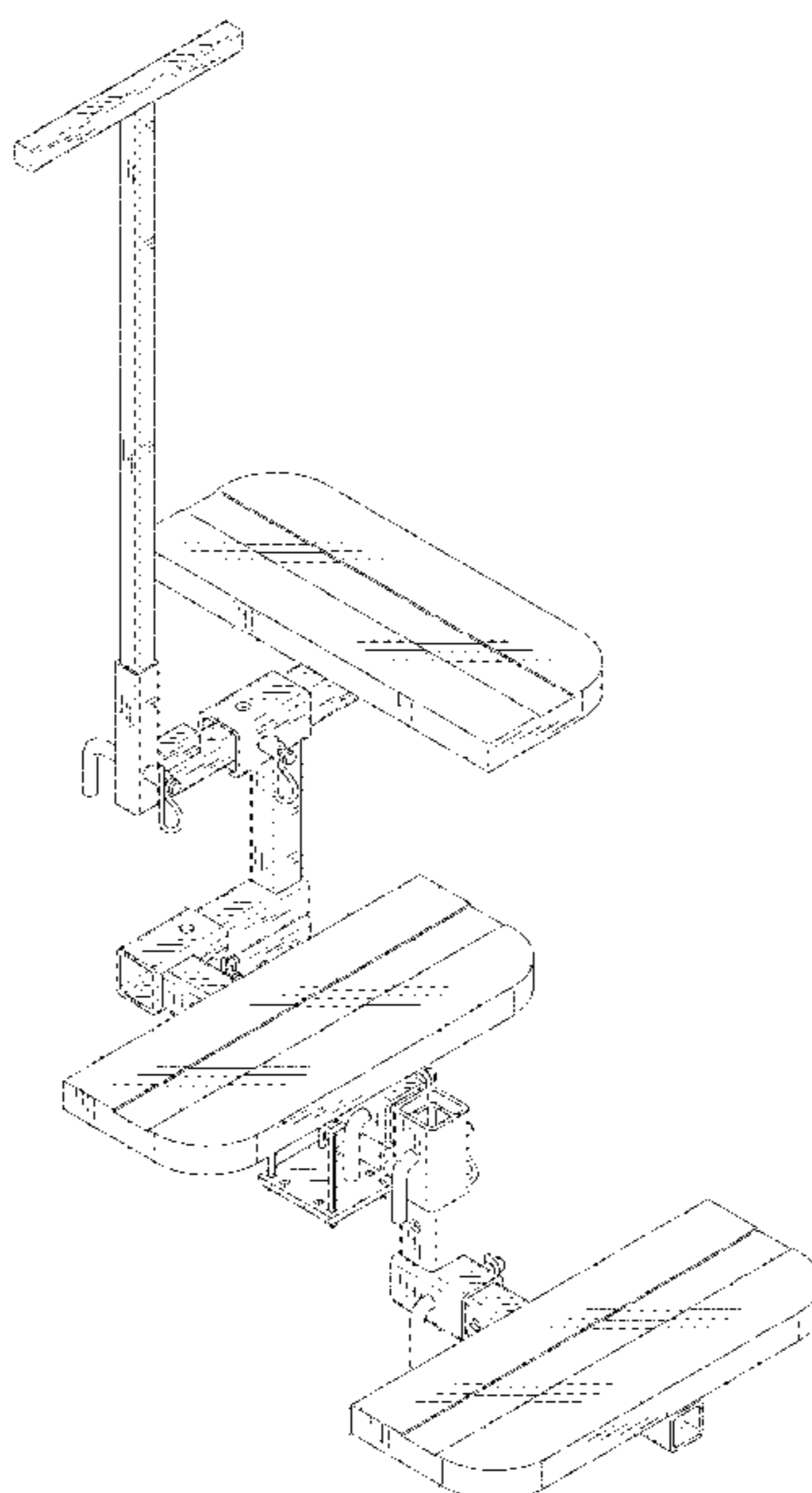
(57) **CLAIM**

The ornamental design for a hitch mount assembly, as shown and described.

DESCRIPTION

FIG. 1 is a perspective view of a hitch mount assembly configured as an assembled stair kit, showing my new design;
FIG. 2 is another perspective view of FIG. 1 thereof;
FIG. 3 is a top plan view of FIG. 1 thereof;
FIG. 4 is a bottom plan view of FIG. 1 thereof;
FIG. 5 is a front elevation view of FIG. 1 thereof;
FIG. 6 is a rear elevation view of FIG. 1 thereof;
FIG. 7 is a left side elevation view of FIG. 1 thereof;
FIG. 8 is a right side elevation view of FIG. 1 thereof;
FIG. 9 is a perspective view of the hitch mount assembly configured as the stair kit of FIG. 1, shown disassembled;
FIG. 10 is another perspective view of FIG. 9 thereof;
FIG. 11 is a top plan view of FIG. 9 thereof;
FIG. 12 is a bottom plan view of FIG. 9 thereof;
FIG. 13 is a front elevation view of FIG. 9 thereof;
FIG. 14 is a rear elevation view of FIG. 9 thereof;
FIG. 15 is a left side elevation view of FIG. 9 thereof; and,
FIG. 16 is a right side elevation view of FIG. 9 thereof.

1 Claim, 16 Drawing Sheets



(56)

References Cited

U.S. PATENT DOCUMENTS

D857,566	S	*	8/2019	Guo	D12/162
D862,307	S	*	10/2019	Milbank	D12/162
D864,800	S	*	10/2019	Borkholder	D12/162
D873,723	S	*	1/2020	Borkholder	D12/162
D876,290	S	*	2/2020	Kirkland	D12/162
2006/0214391	A1		9/2006	Columbia		
2007/0252360	A1		11/2007	Wooten		
2008/0011698	A1		1/2008	Simon		
2008/0168929	A1		7/2008	Thompson		
2016/0288726	A1		10/2016	Endrasik		

OTHER PUBLICATIONS

Amazon.com Quick Products QPRBAB Deluxe RV Bumper Receiver;
<https://www.amazon.com/Quick-Products-QPRBAB-Adapter-Mounting/dp/B013U6NGGK%3FSubscriptionId%3DAKIAI2QLKINDTX3PNBTQ%26tag%2E2%80%A6> ; last visited May 30, 2019.

* cited by examiner

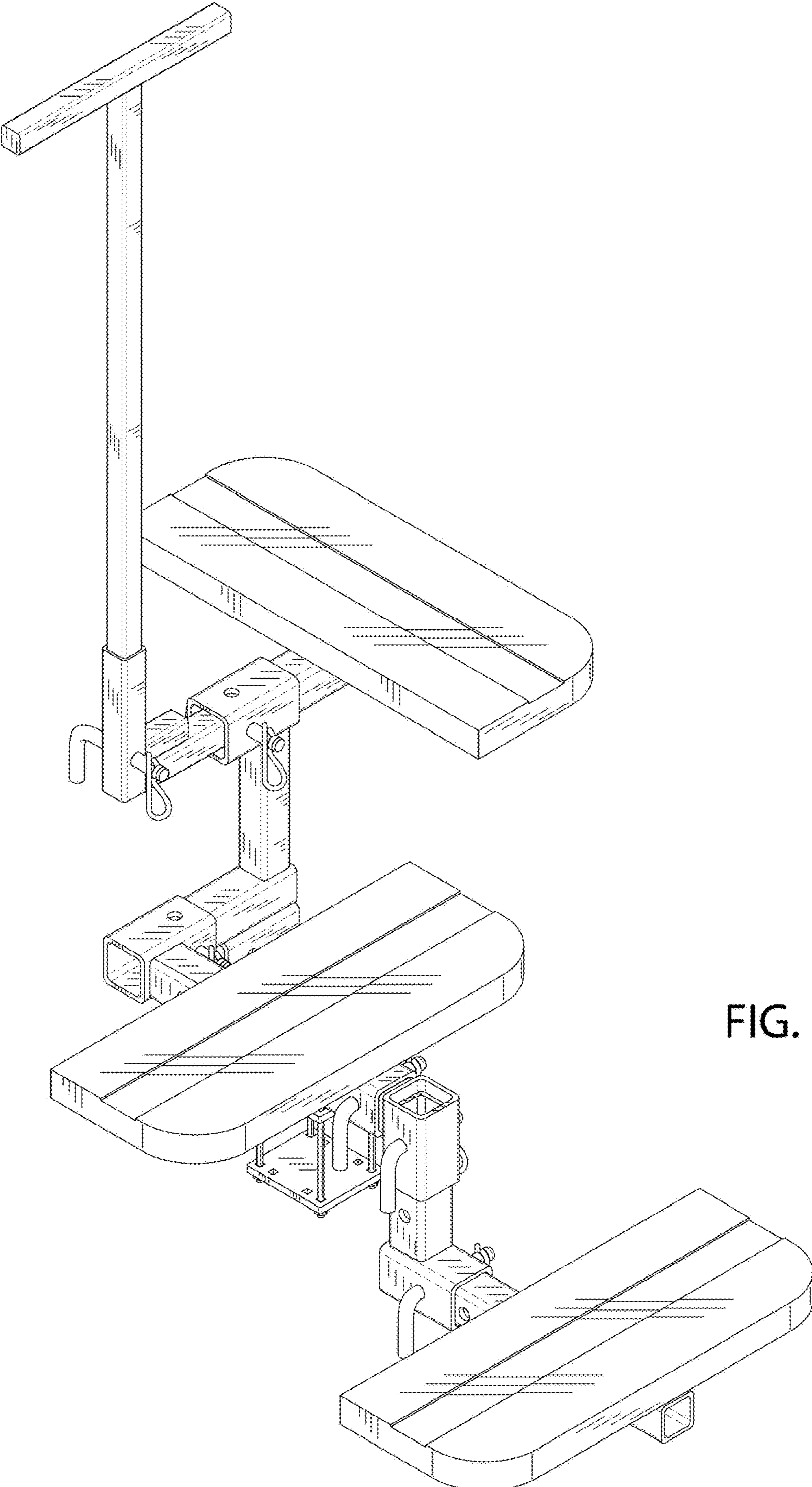


FIG. 1

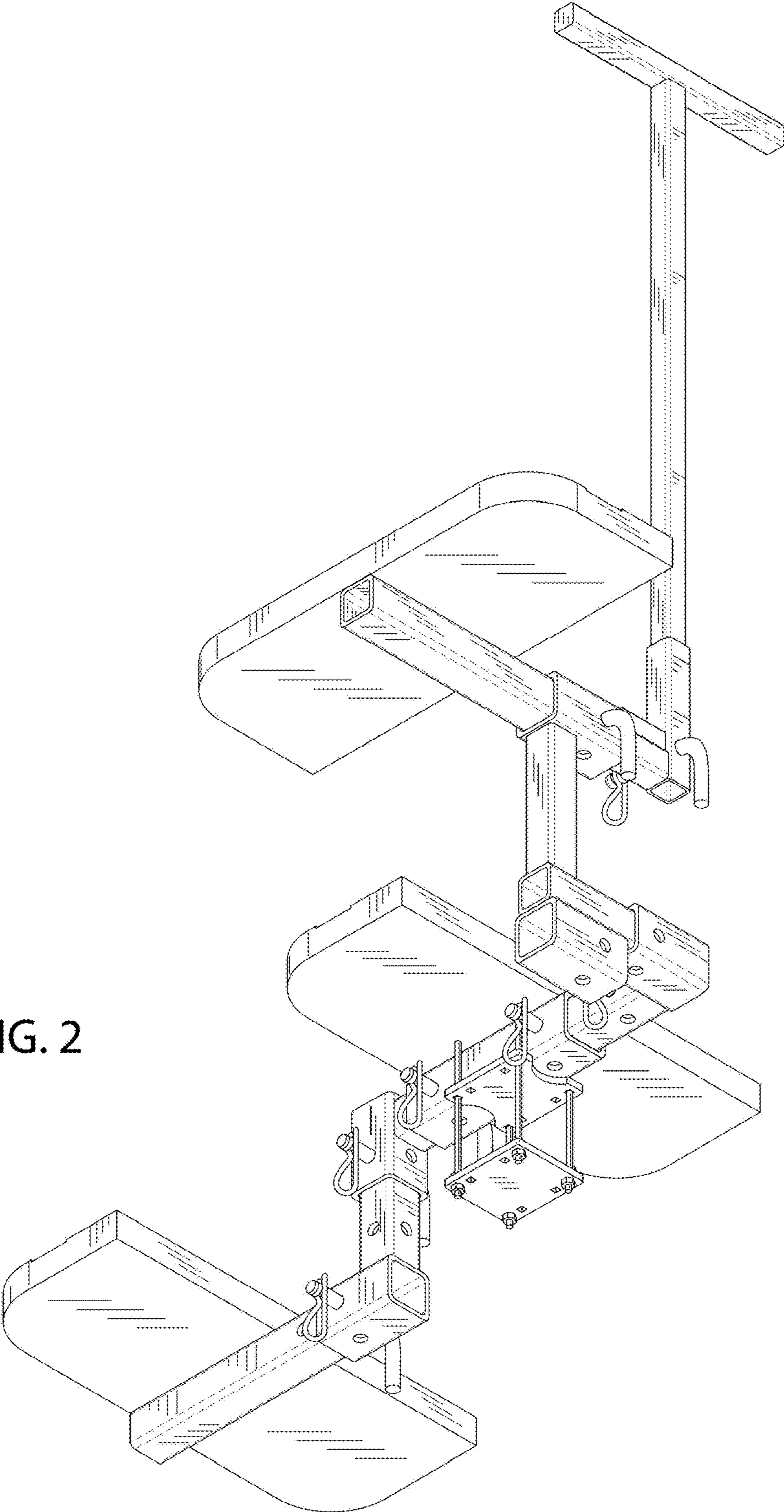


FIG. 2

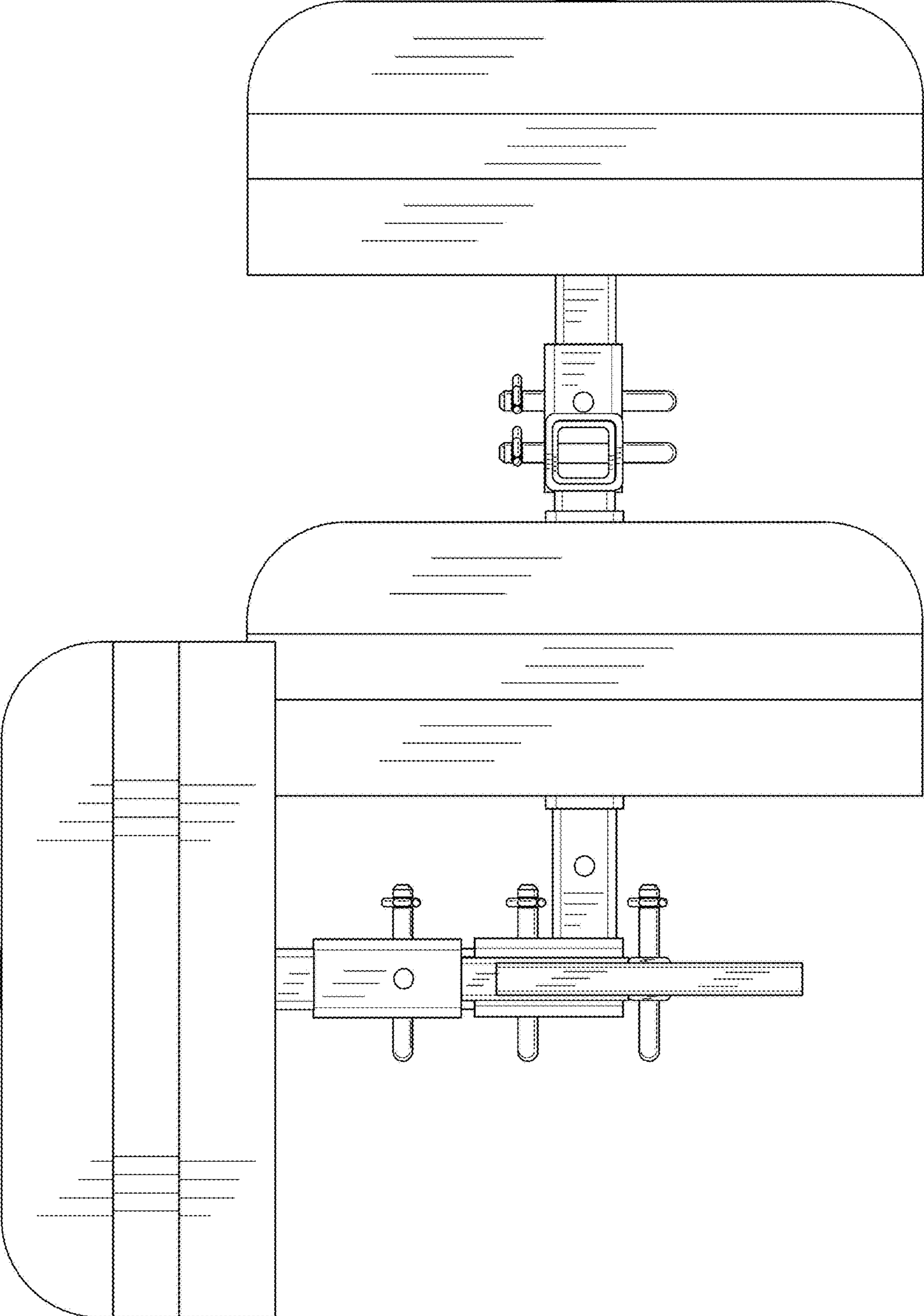


FIG. 3

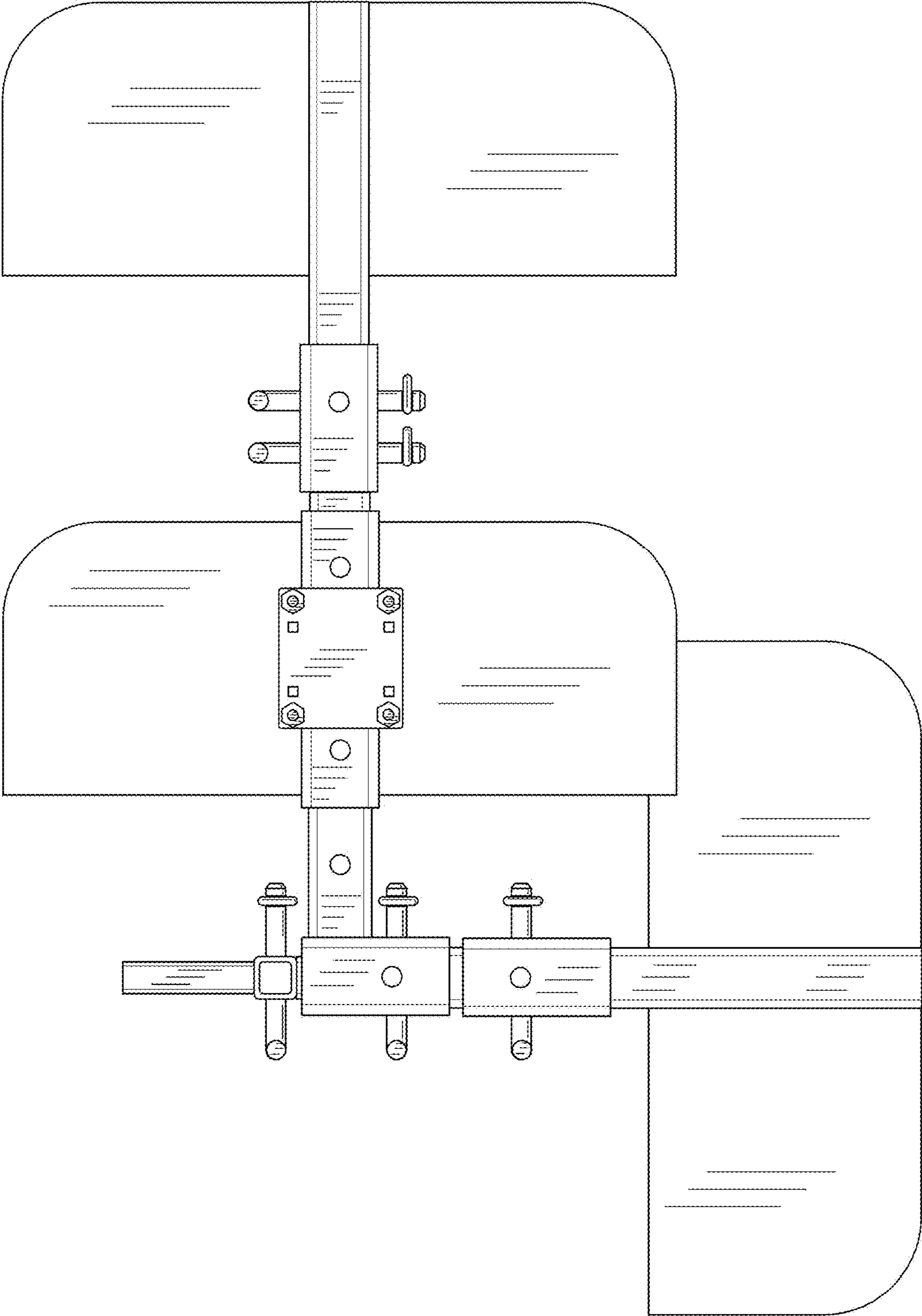


FIG. 4

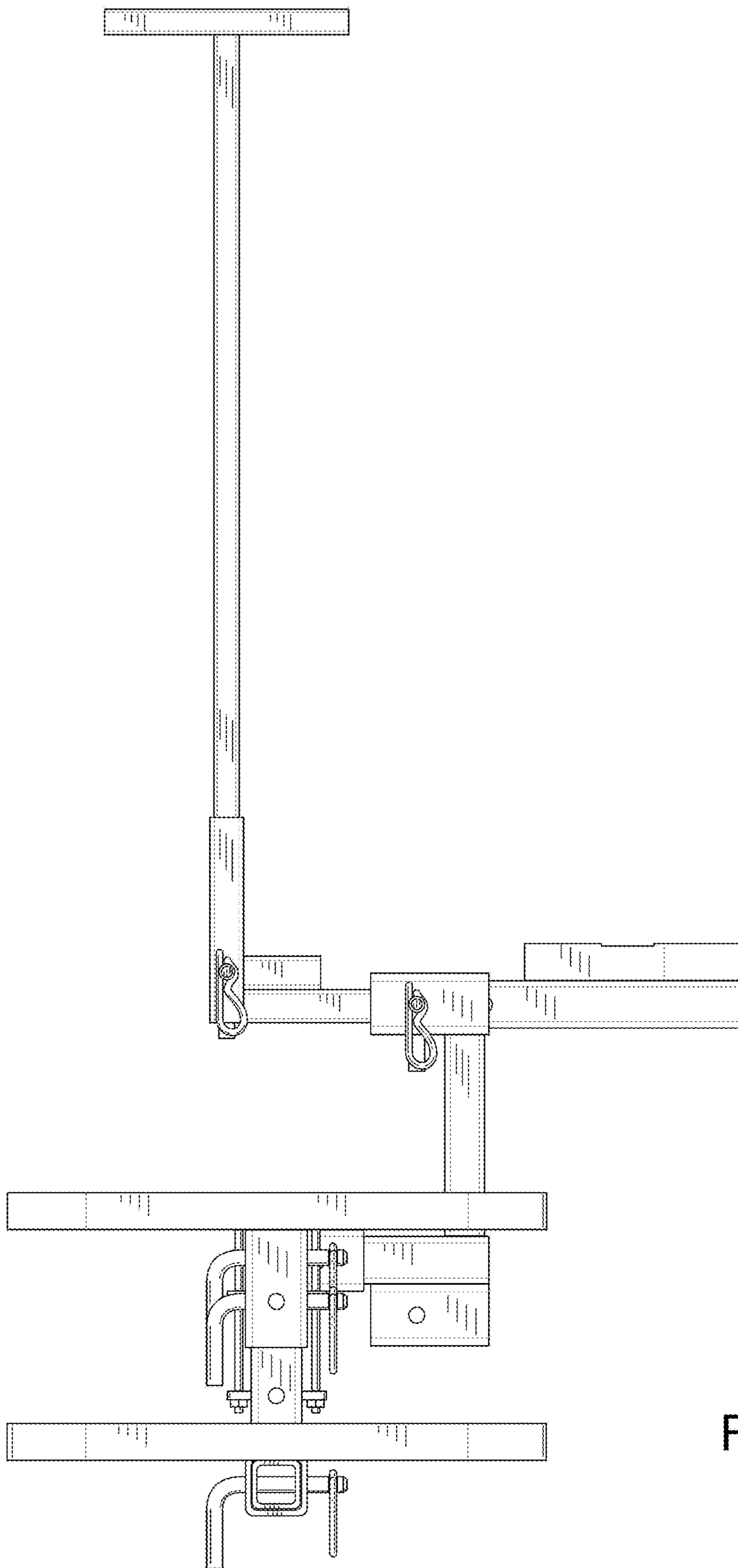


FIG.5

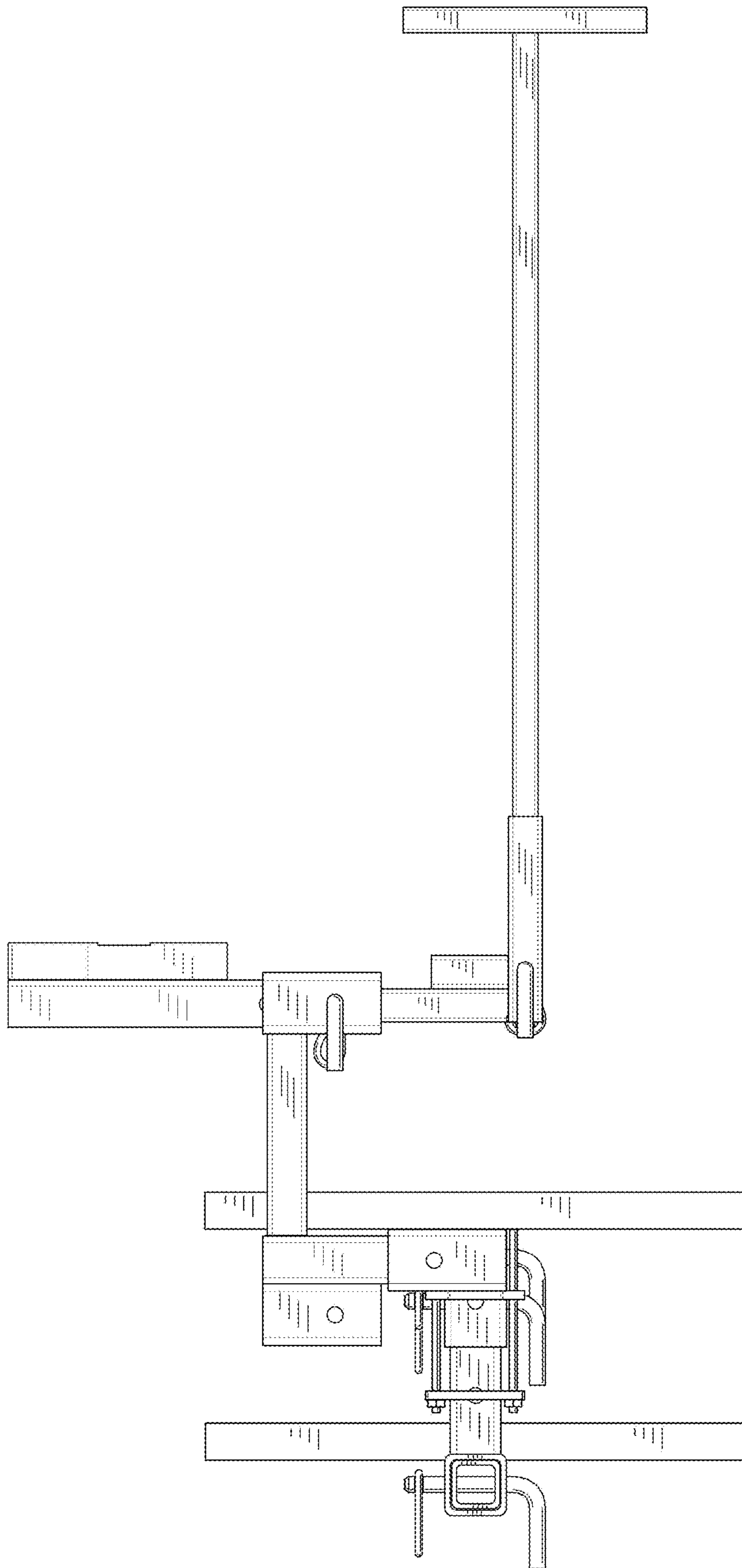


FIG. 6

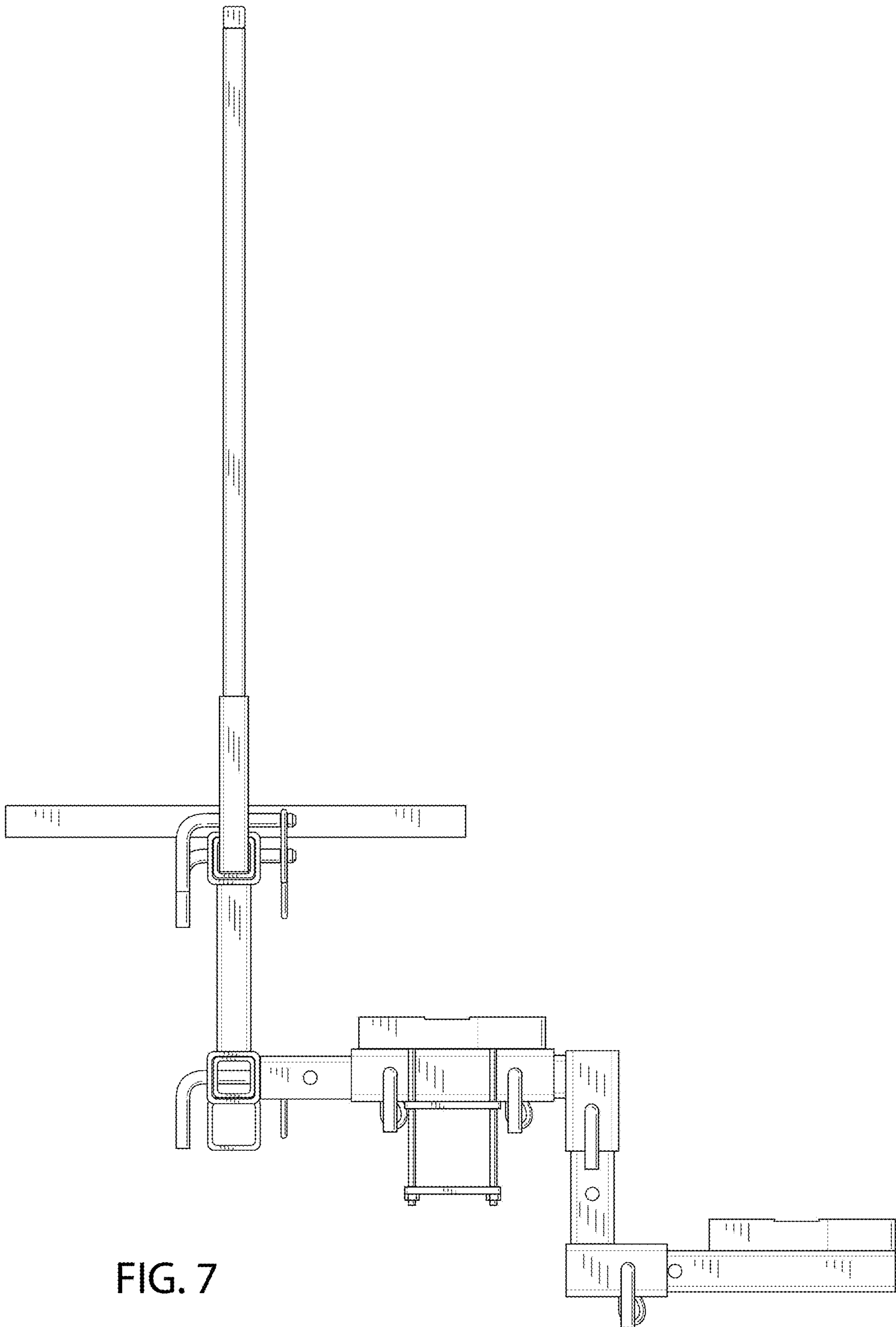


FIG. 7

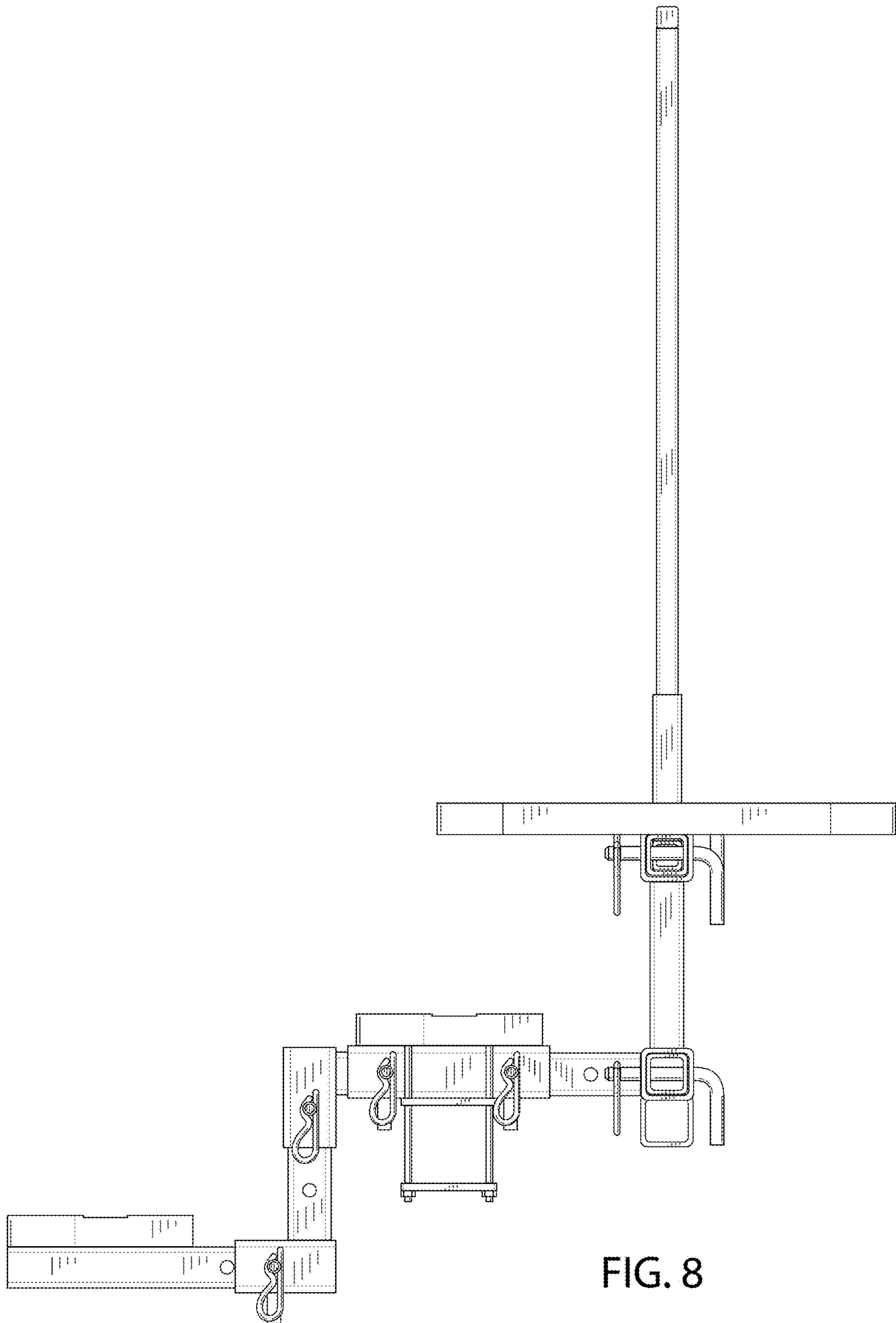


FIG. 8

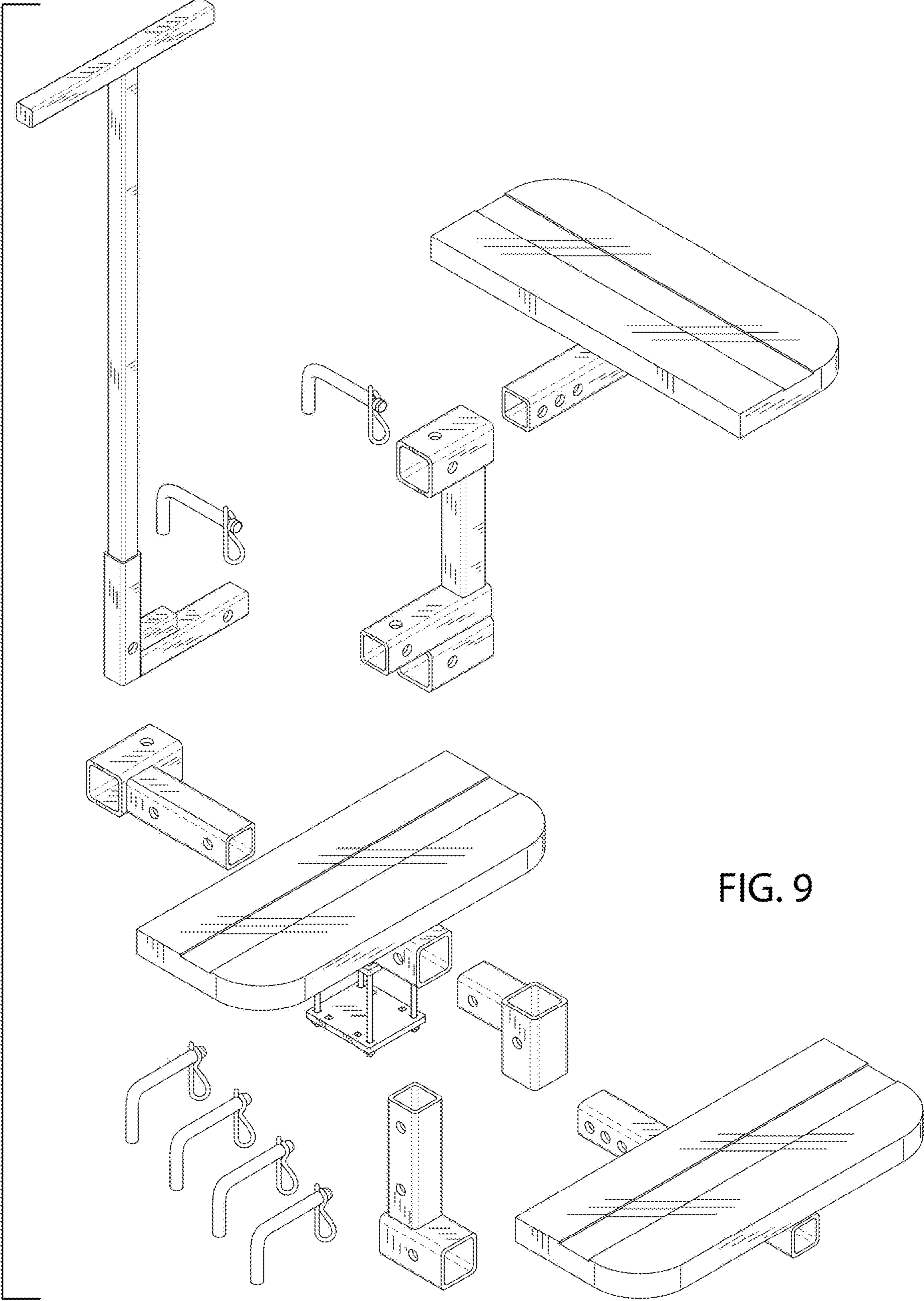


FIG. 9

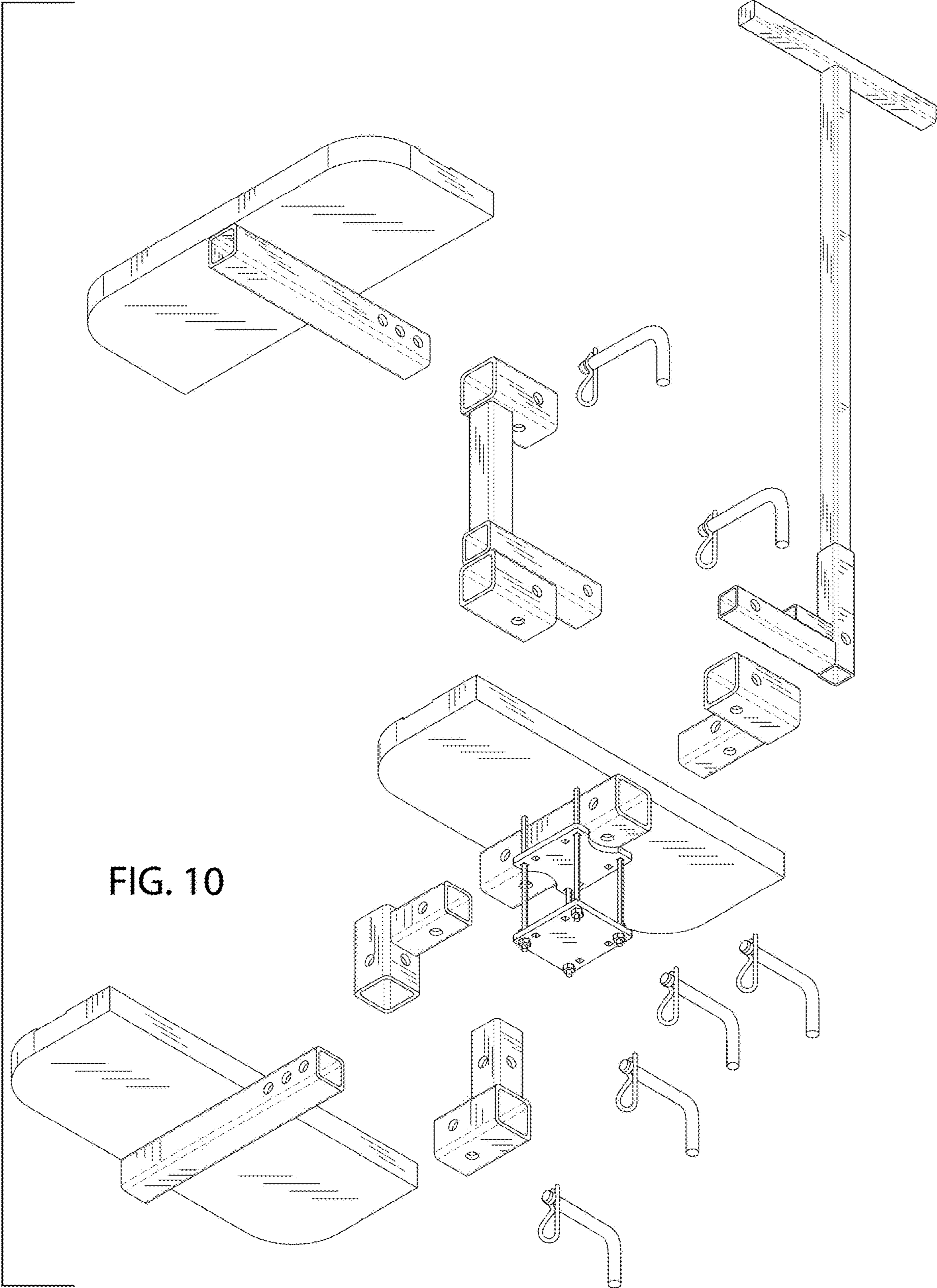
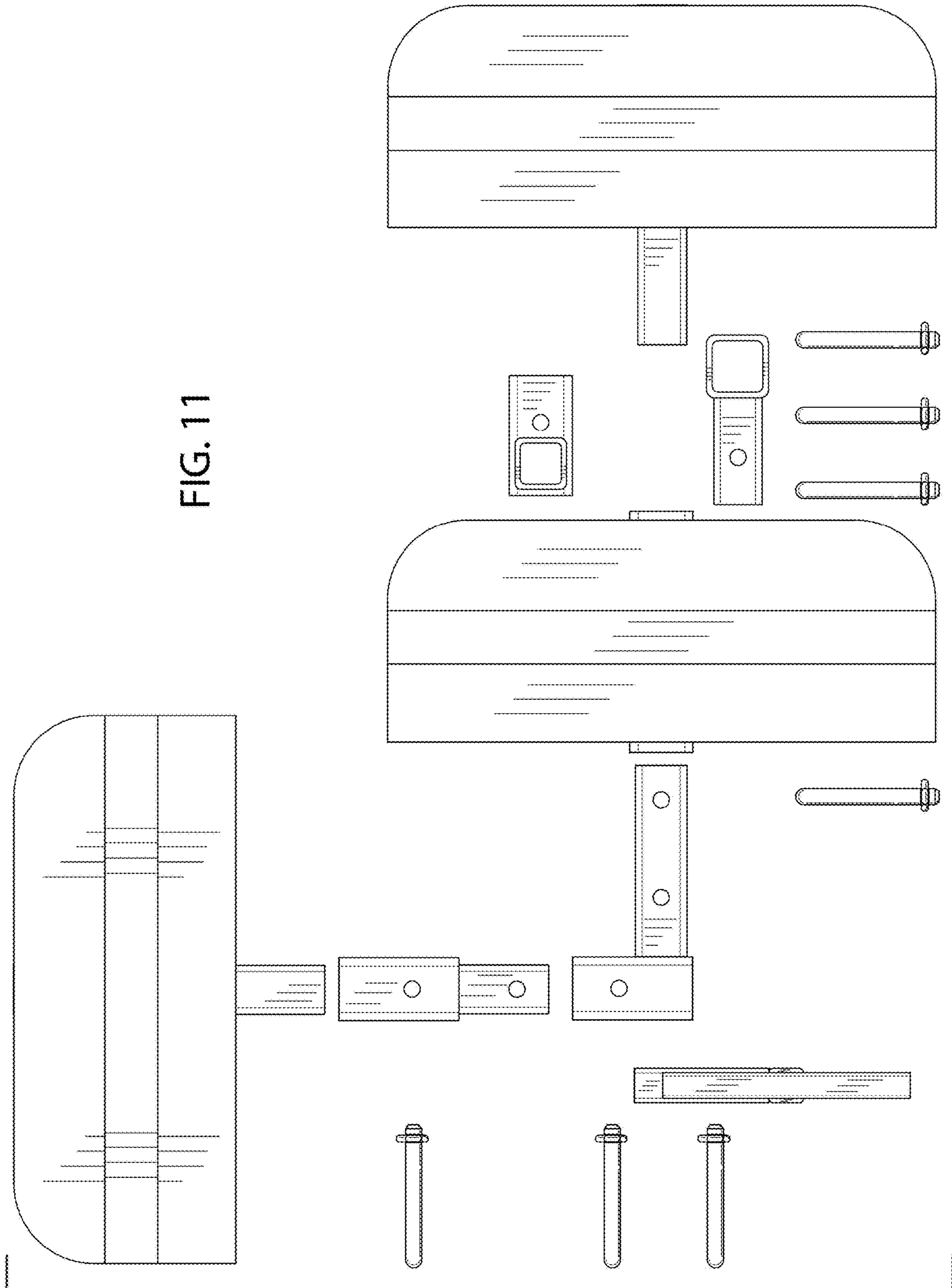


FIG. 10

FIG. 11



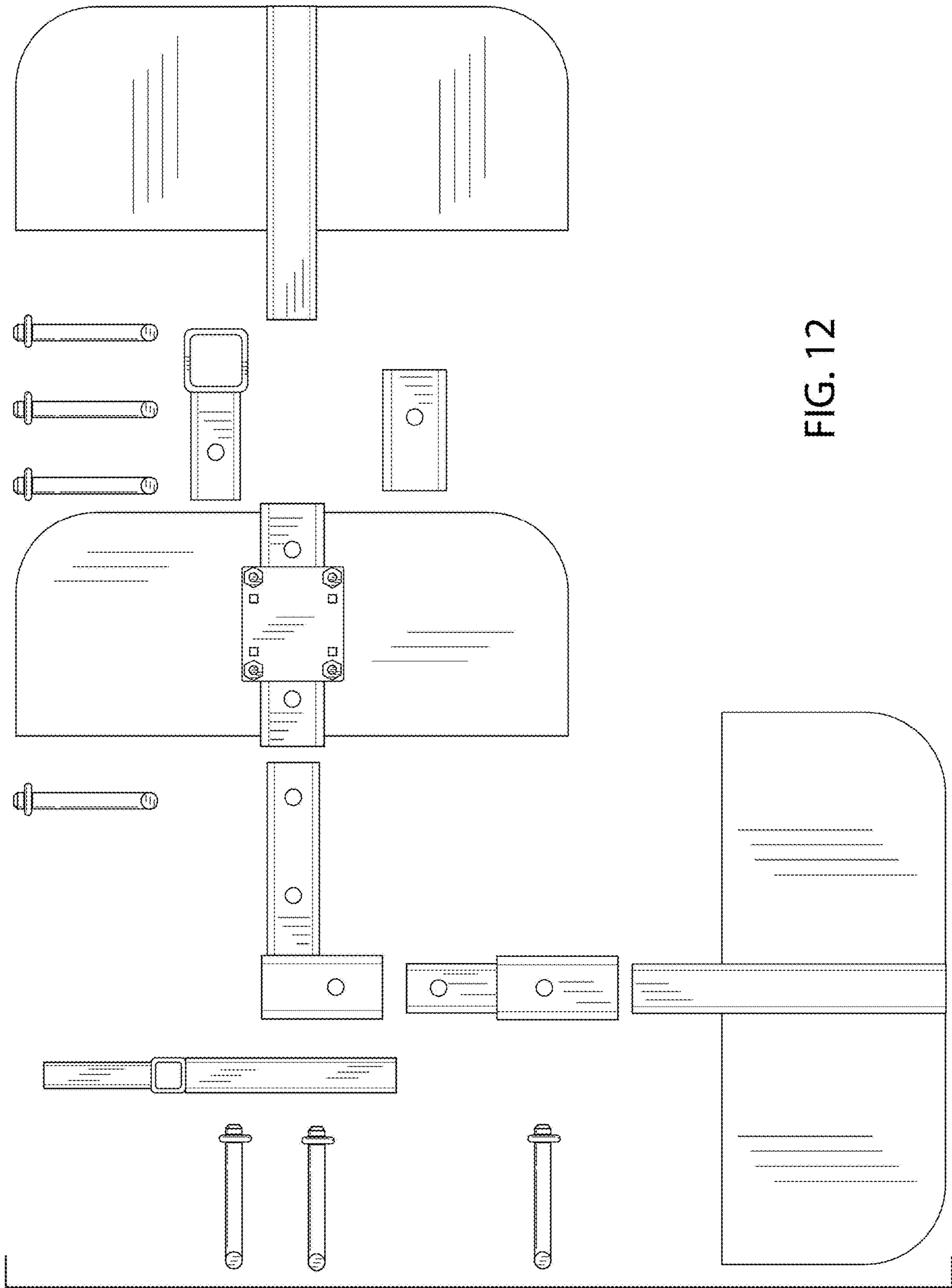


FIG. 12

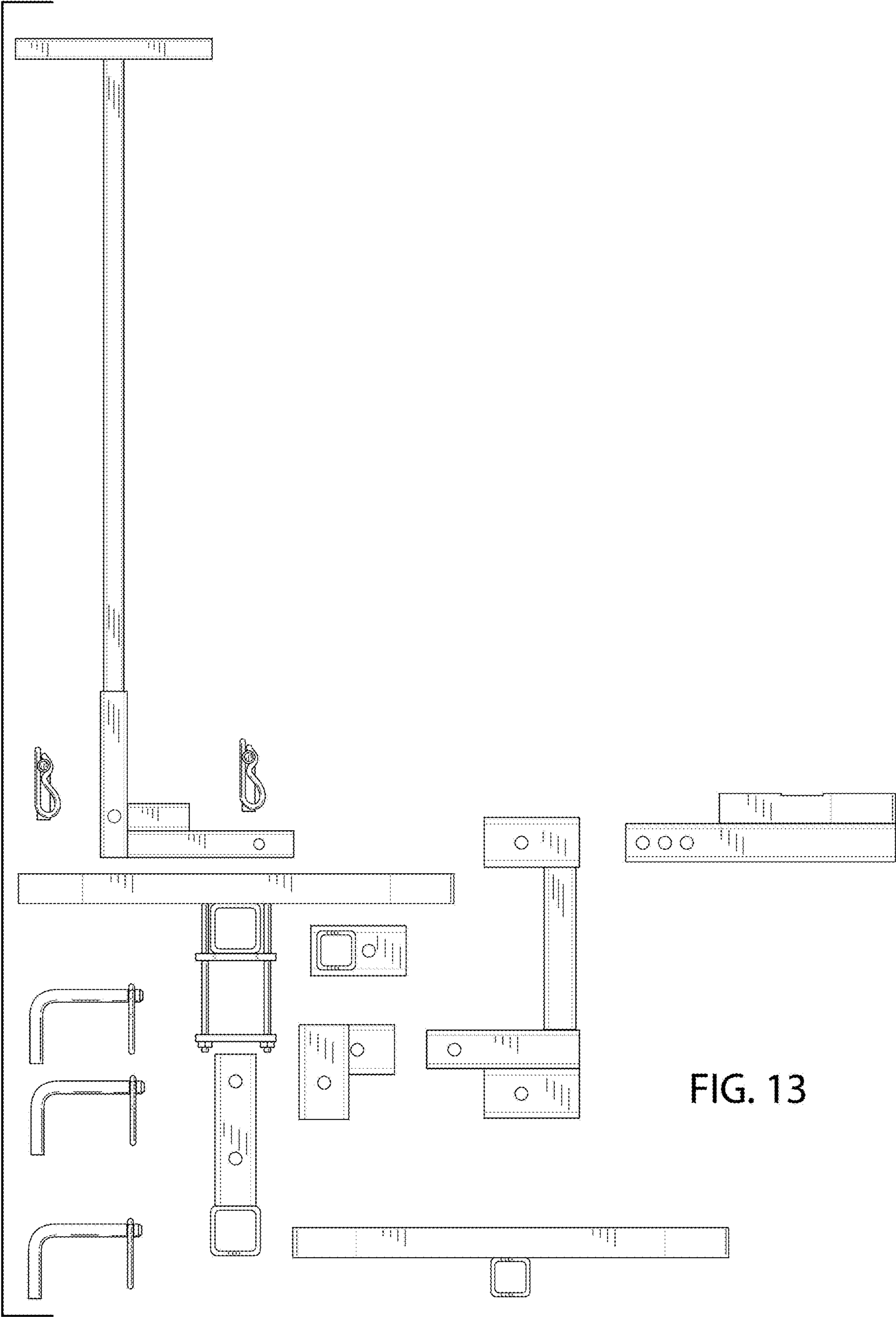
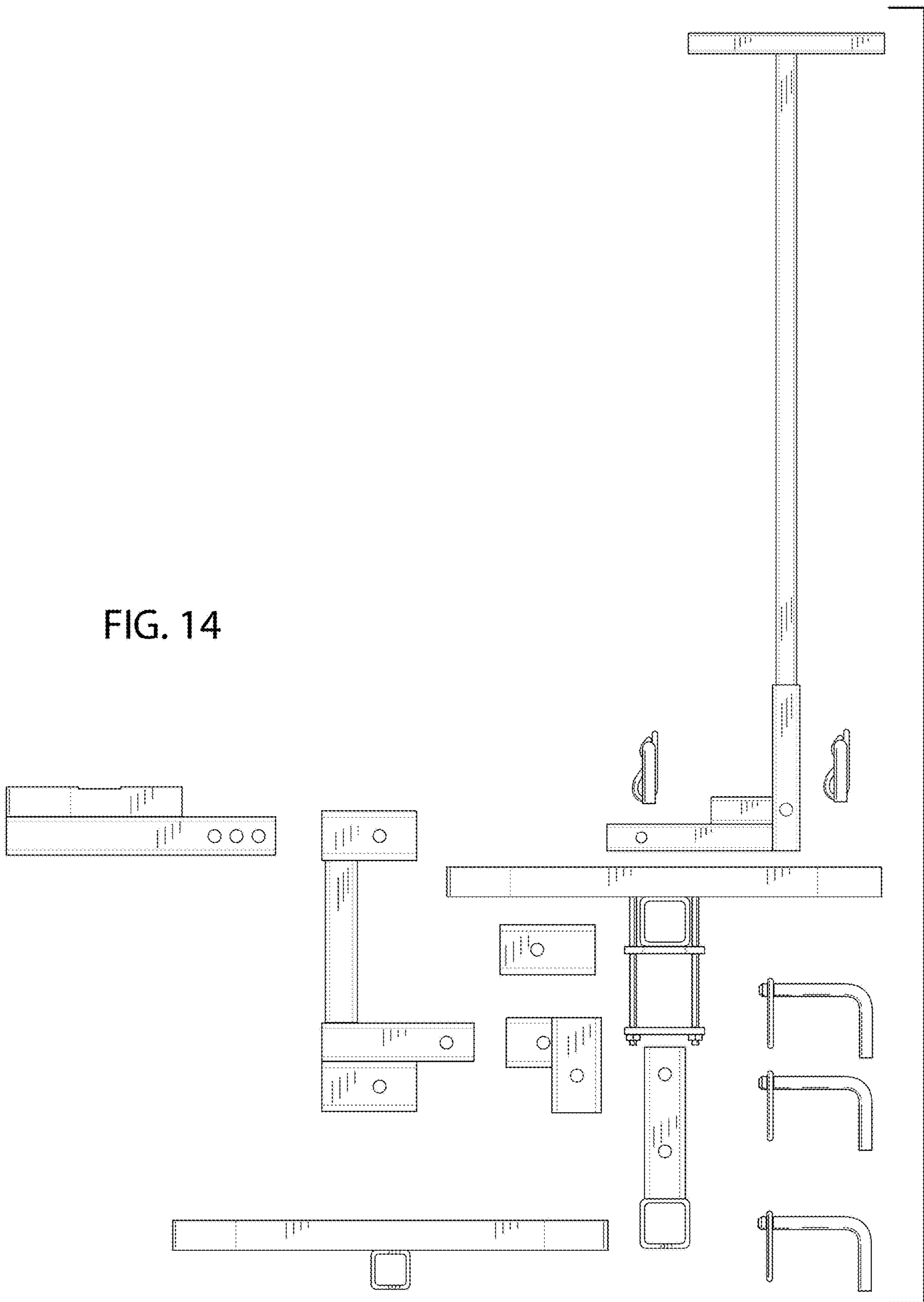


FIG. 13

FIG. 14



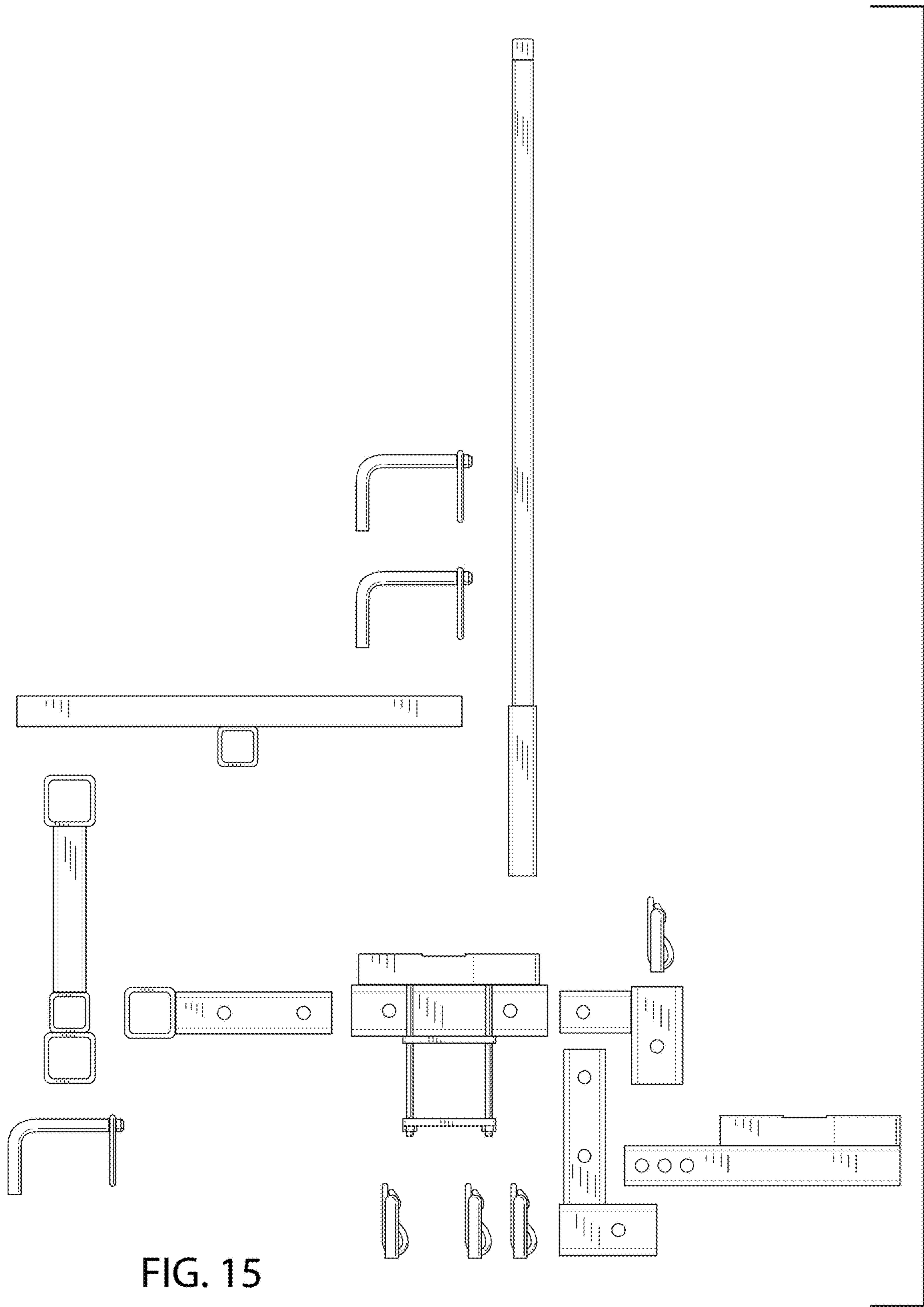


FIG. 15

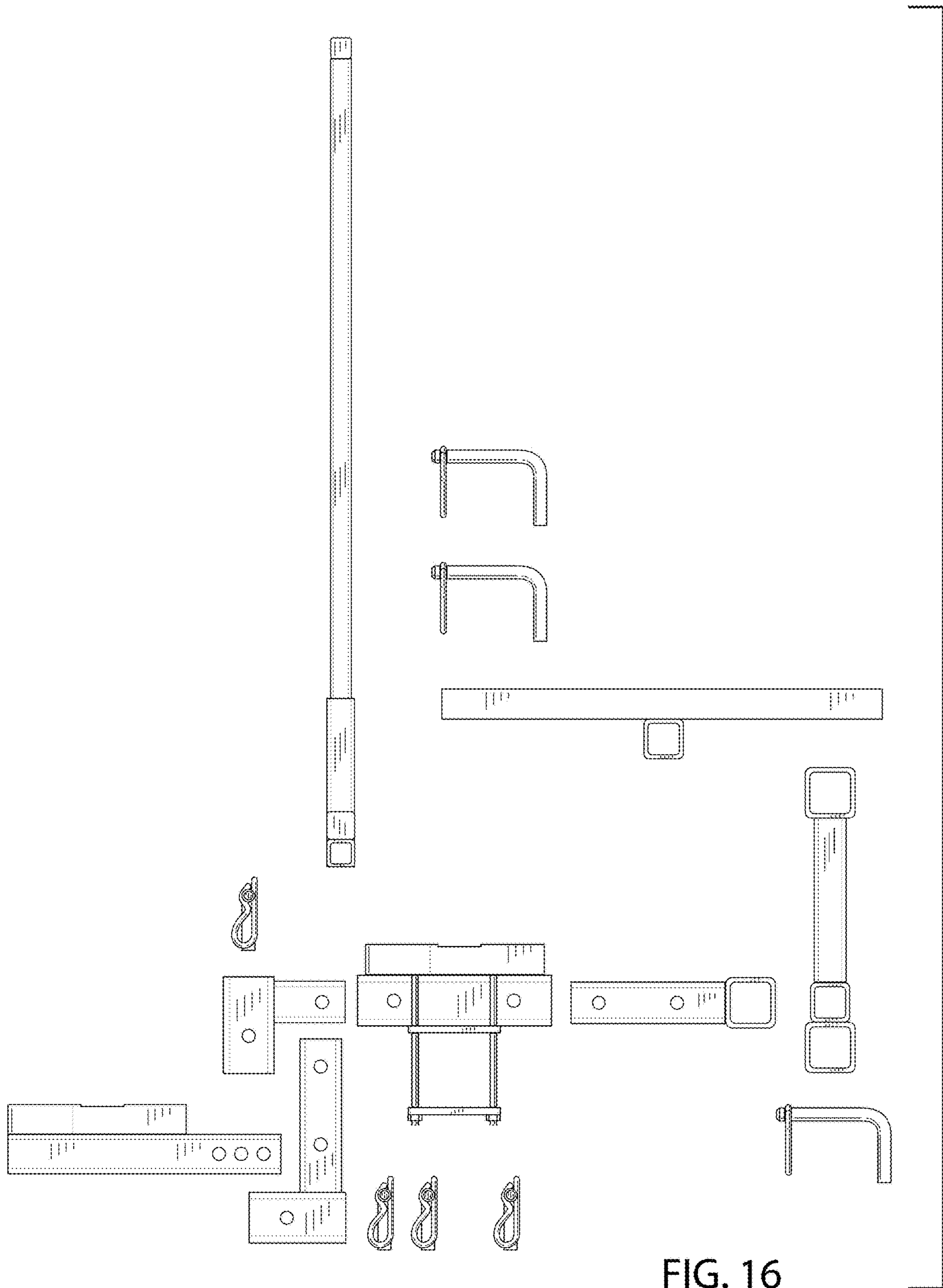


FIG. 16