



US00D897246S

(12) **United States Design Patent**
Giddens

(10) **Patent No.:** **US D897,246 S**

(45) **Date of Patent:** **** Sep. 29, 2020**

- (54) **TOW TRUCK ADAPTER**
- (71) Applicants: **Brandon Assaf**, Tampa, FL (US);
Jason Giddens, Tampa, FL (US)
- (72) Inventor: **Jason Giddens**, Tampa, FL (US)
- (73) Assignee: **Brandon Assaf**, Tampa, FL (US)
- (**) Term: **15 Years**
- (21) Appl. No.: **29/705,780**
- (22) Filed: **Sep. 16, 2019**
- (51) **LOC (12) Cl.** **12-16**
- (52) **U.S. Cl.**
USPC **D12/162**
- (58) **Field of Classification Search**
USPC D12/159-162
CPC . B60D 1/60; B60D 1/065; B60D 1/00; B60D
1/06; B60D 1/36
See application file for complete search history.

- D856,199 S * 8/2019 Siegel D12/162
- D862,306 S * 10/2019 Porath B60D 1/605
D12/162
- D875,620 S * 2/2020 Watson D12/162
- D880,376 S * 4/2020 Goodner D12/162
- D881,078 S * 4/2020 Rebick D12/162

* cited by examiner

Primary Examiner — Katrina A Betton

(74) *Attorney, Agent, or Firm* — Larson & Larson, P.A.;
Justin P. Miller; Frank Liebenow

(57) **CLAIM**

I claim the ornamental design for a tow truck adapter, as shown and described.

DESCRIPTION

FIG. 1 is a perspective view of a tow truck adapter showing my new design;
 FIG. 2 is a front elevation view thereof;
 FIG. 3 is a back elevation thereof;
 FIG. 4 is a left-side elevation view thereof;
 FIG. 5 is a right-side elevation view thereof;
 FIG. 6 is a top plan view thereof;
 FIG. 7 is a bottom plan view thereof; and,
 FIG. 8 is a perspective view thereof, showing the tow truck adapter in use.

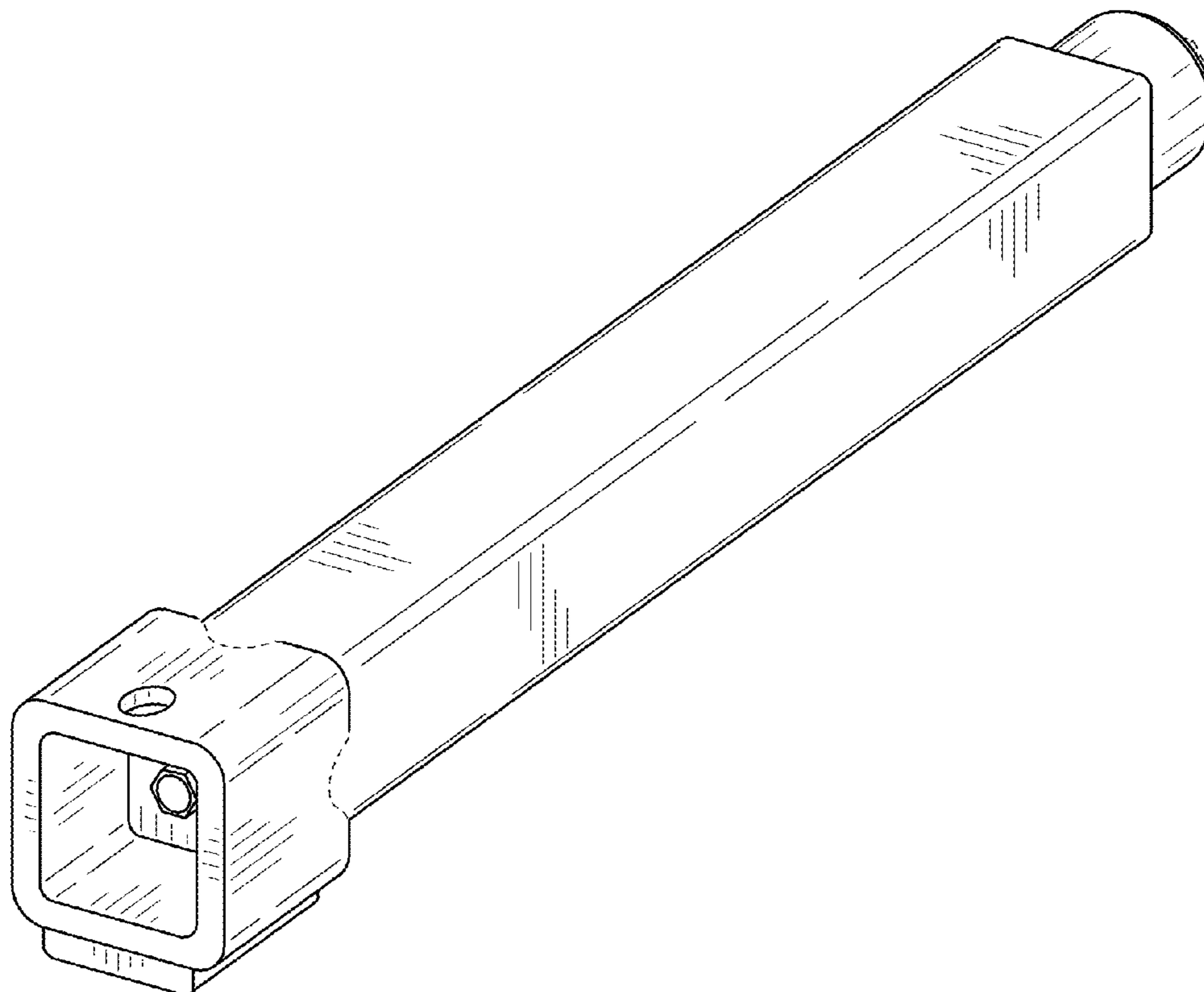
The broken lines indicating a weld location, bolt, and a nut are included for the purpose of illustrating the unclaimed portions of the article and form no part of the claimed design.

1 Claim, 5 Drawing Sheets

(56) **References Cited**

U.S. PATENT DOCUMENTS

- D794,515 S * 8/2017 McCuskey D12/162
- D800,611 S * 10/2017 Ramirez, Jr. D12/162
- D847,697 S * 5/2019 McCuskey D12/162
- D851,545 S * 6/2019 McCuskey D12/162
- D851,546 S * 6/2019 McCuskey D12/162
- D854,970 S * 7/2019 McCuskey D12/162
- D854,971 S * 7/2019 McCuskey D12/162



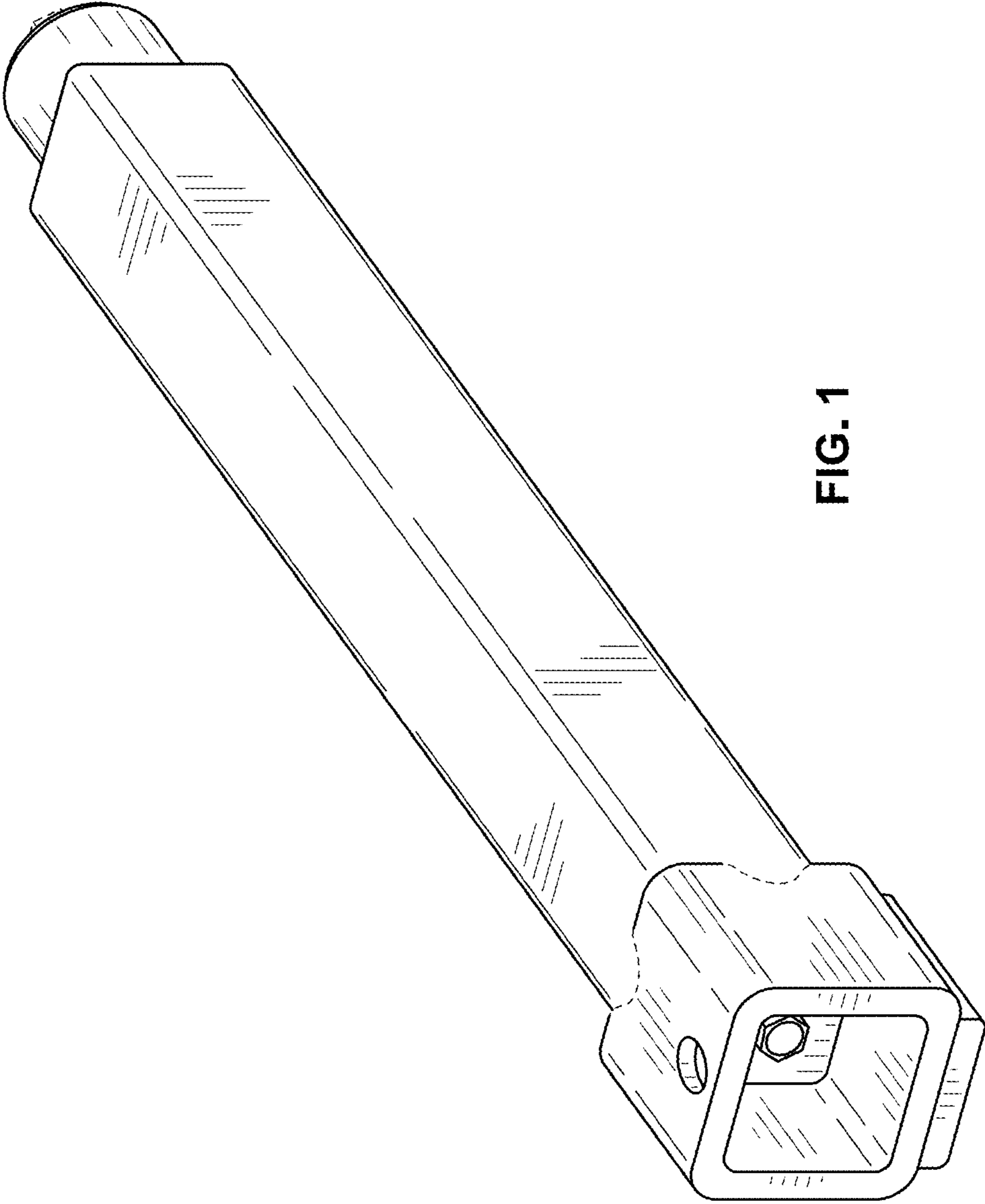


FIG. 1

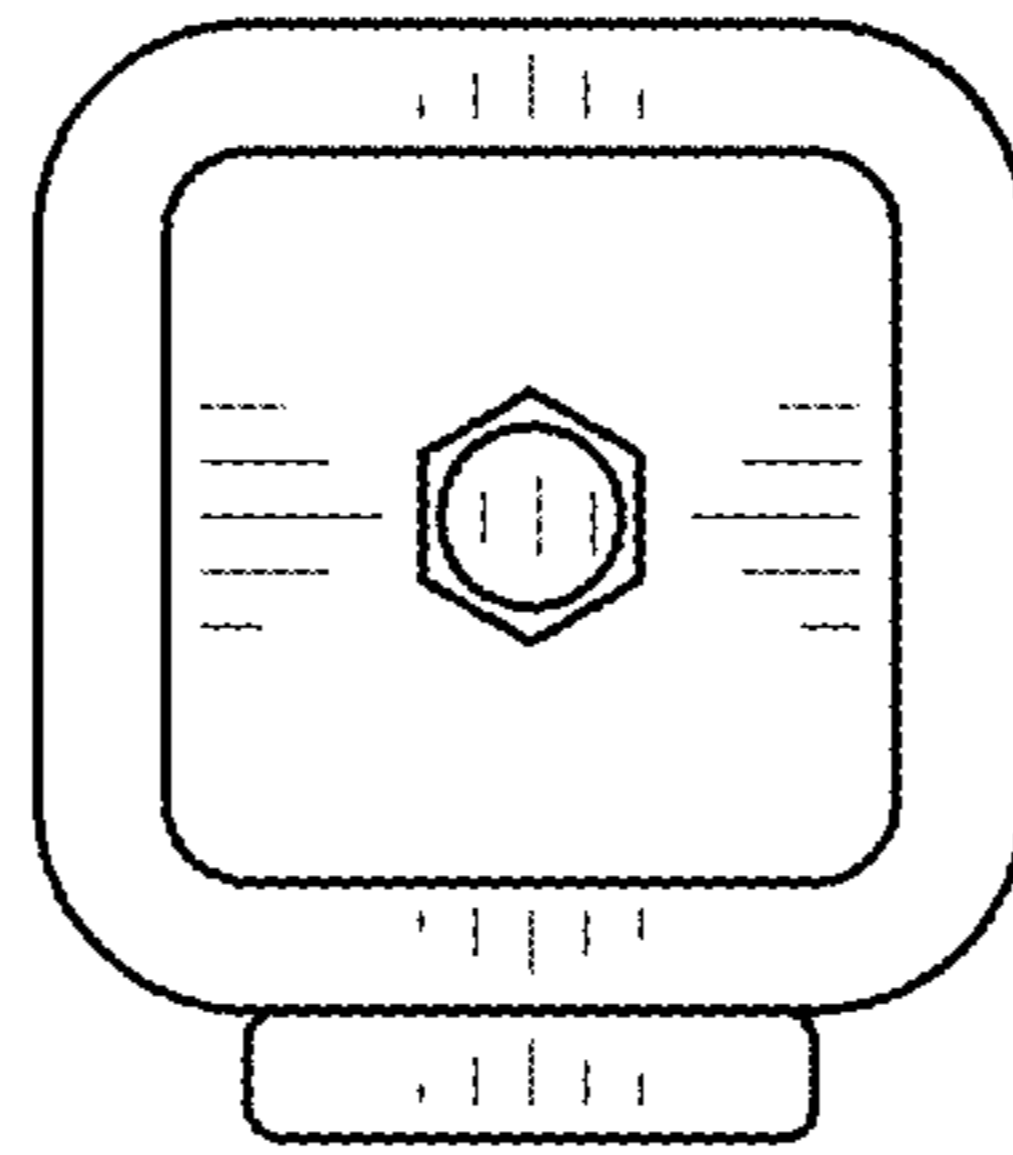


FIG. 2

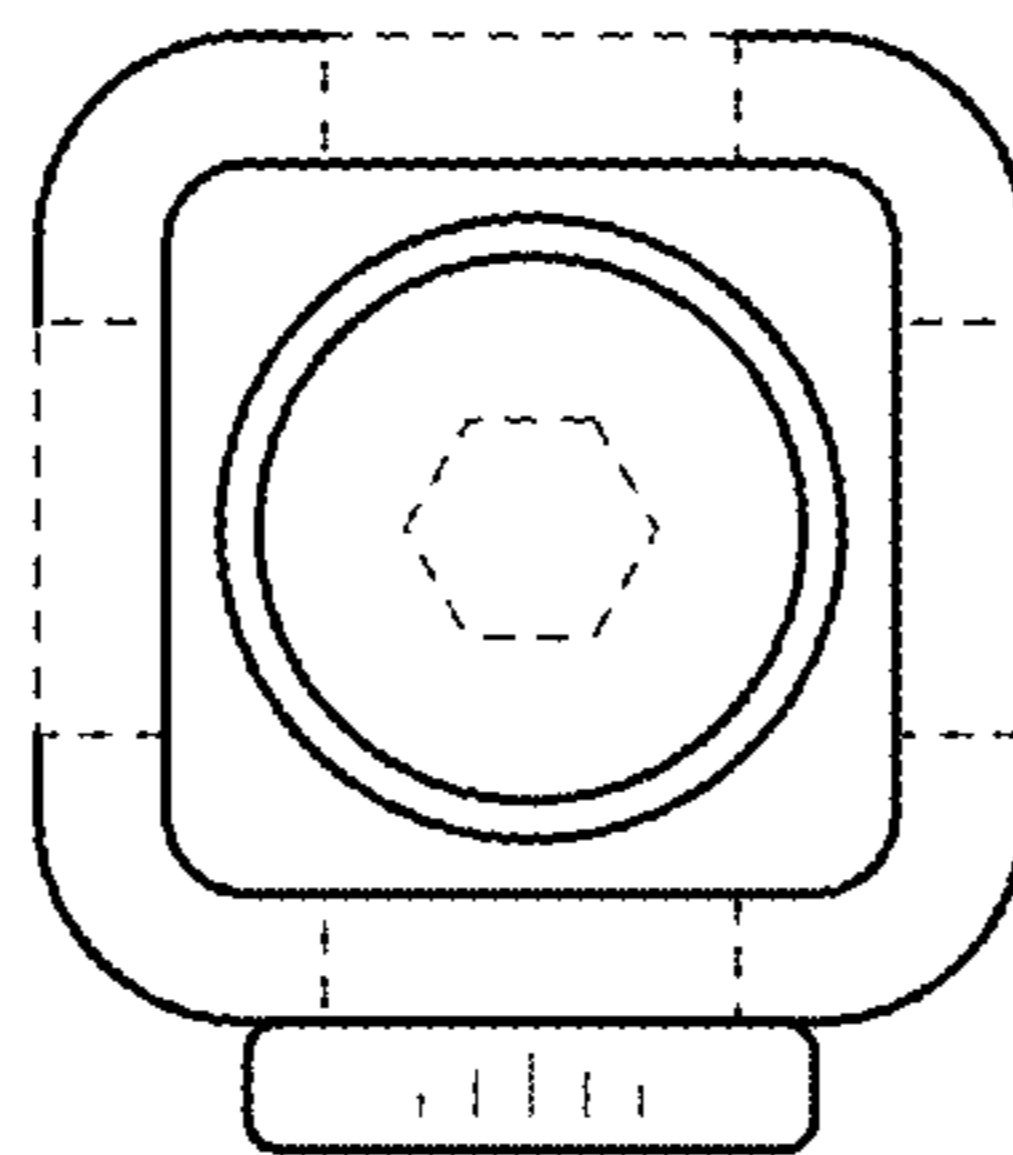


FIG. 3

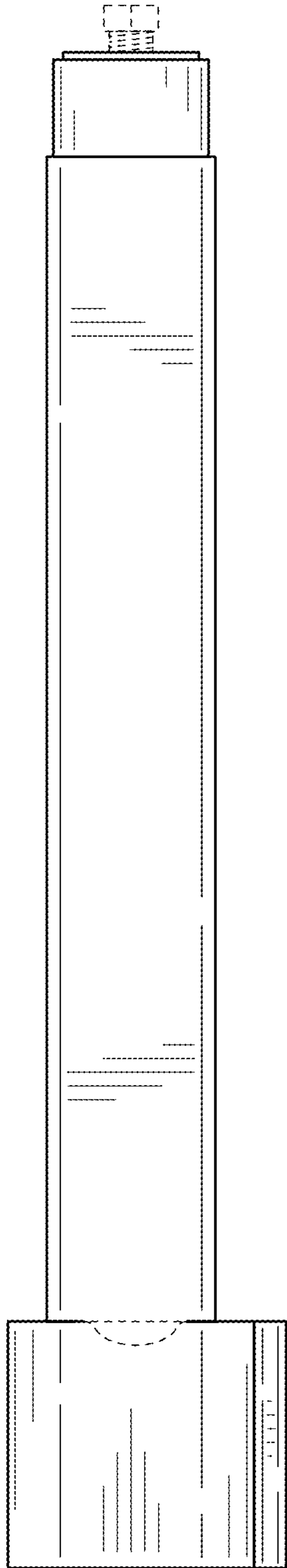


FIG. 4

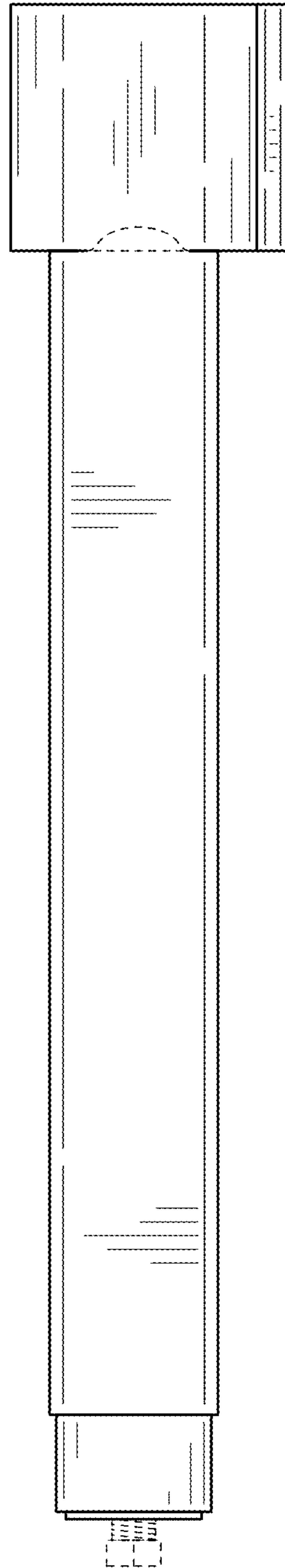


FIG. 5

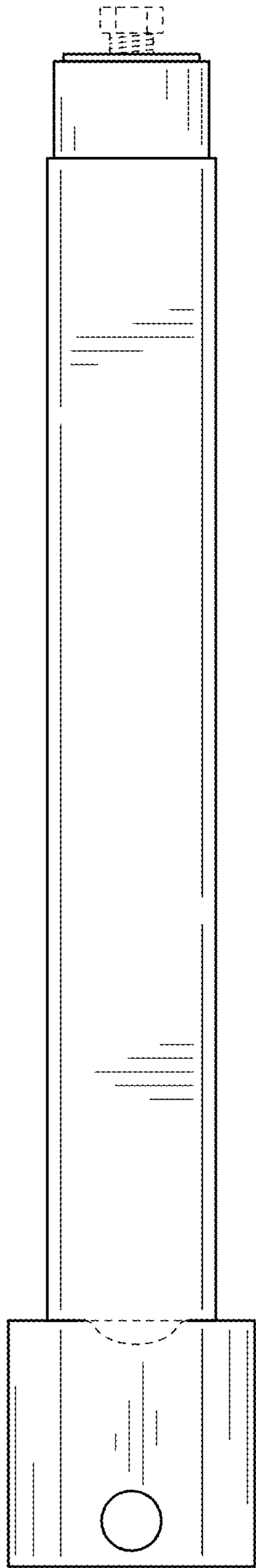


FIG. 6

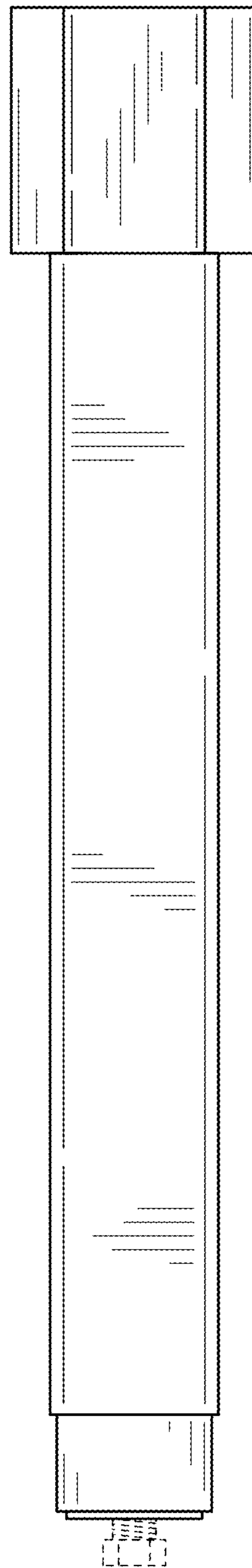


FIG. 7

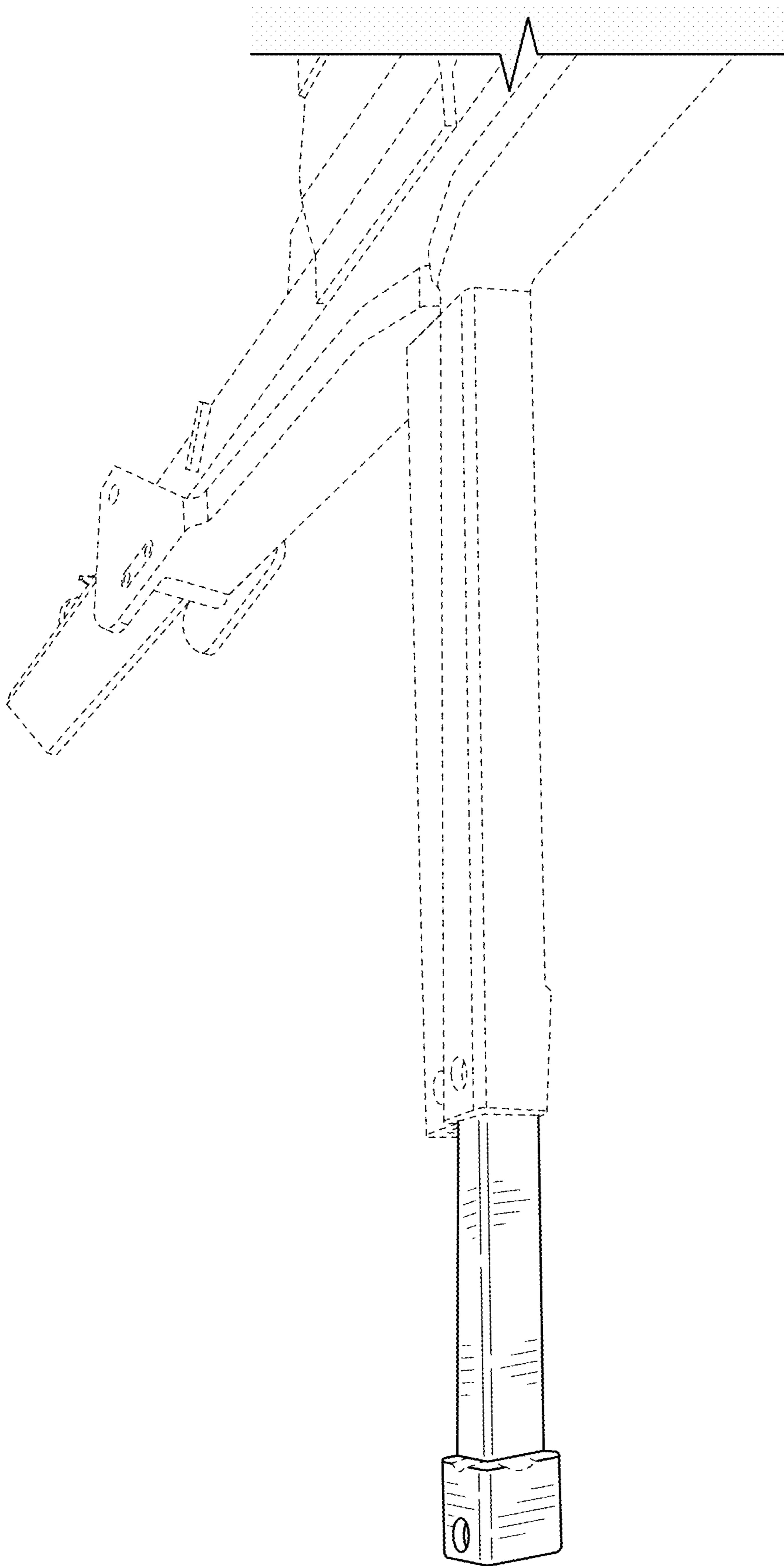


FIG. 8