



US00D897245S

(12) **United States Design Patent**
Borkholder

(10) **Patent No.:** **US D897,245 S**

(45) **Date of Patent:** **** Sep. 29, 2020**

(54) **FLEX RECEIVER HITCH**

(71) Applicant: **Carl J. Borkholder**, Bremen, IN (US)

(72) Inventor: **Carl J. Borkholder**, Bremen, IN (US)

(73) Assignee: **Gen-Y Creations, LLC**, Nappanee, IN (US)

(**) Term: **15 Years**

(21) Appl. No.: **29/705,489**

(22) Filed: **Sep. 12, 2019**

(51) **LOC (12) Cl.** **12-16**

(52) **U.S. Cl.**
USPC **D12/162**

(58) **Field of Classification Search**
USPC D12/159-162
CPC . B60D 1/60; B60D 1/065; B60D 1/00; B60D 1/06; B60D 1/36
See application file for complete search history.

(56) **References Cited**

U.S. PATENT DOCUMENTS

D794,515 S * 8/2017 McCuskey D12/162
D800,611 S * 10/2017 Ramirez, Jr. D12/162
D847,697 S * 5/2019 McCuskey D12/162
D851,545 S * 6/2019 McCuskey D12/162

D851,546 S * 6/2019 McCuskey D12/162
D854,970 S * 7/2019 McCuskey D12/162
D854,971 S * 7/2019 McCuskey D12/162
D856,199 S * 8/2019 Siegel D12/162
D862,306 S * 10/2019 Porath B60D 1/605
D12/162
D875,620 S * 2/2020 Watson D12/162
D880,376 S * 4/2020 Goodner D12/162
D881,078 S * 4/2020 Rebick D12/162

* cited by examiner

Primary Examiner — Katrina A Betton

(74) *Attorney, Agent, or Firm* — Botkin & Hall, LLP

(57) **CLAIM**

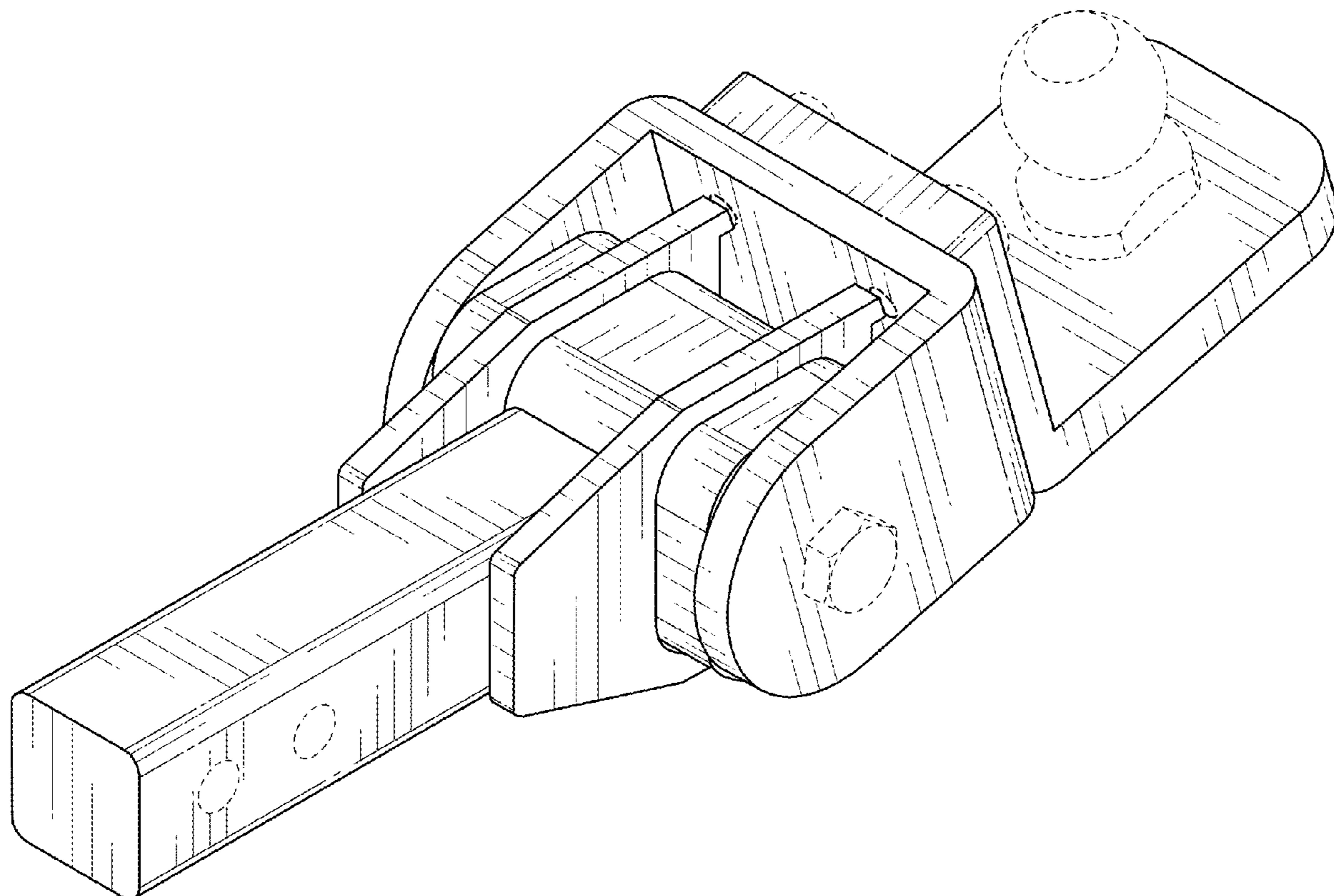
The ornamental design for a flex receiver hitch, as shown and described.

DESCRIPTION

FIG. 1 is a rear isometric view of the flex receiver hitch; FIG. 2 is a left side view of the flex receiver hitch of FIG. 1; FIG. 3 is a right side view of the flex receiver hitch of FIG. 1; FIG. 4 is a rear view of the flex receiver hitch of FIG. 1; FIG. 5 is a front view of the flex receiver hitch of FIG. 1; FIG. 6 is a top view of the flex receiver hitch of FIG. 1; and, FIG. 7 is a bottom side view of the flex receiver hitch.

The broken lines depict portions of the flex receiver hitch that form no part of the claimed design, and are for illustrative purposes only.

1 Claim, 5 Drawing Sheets



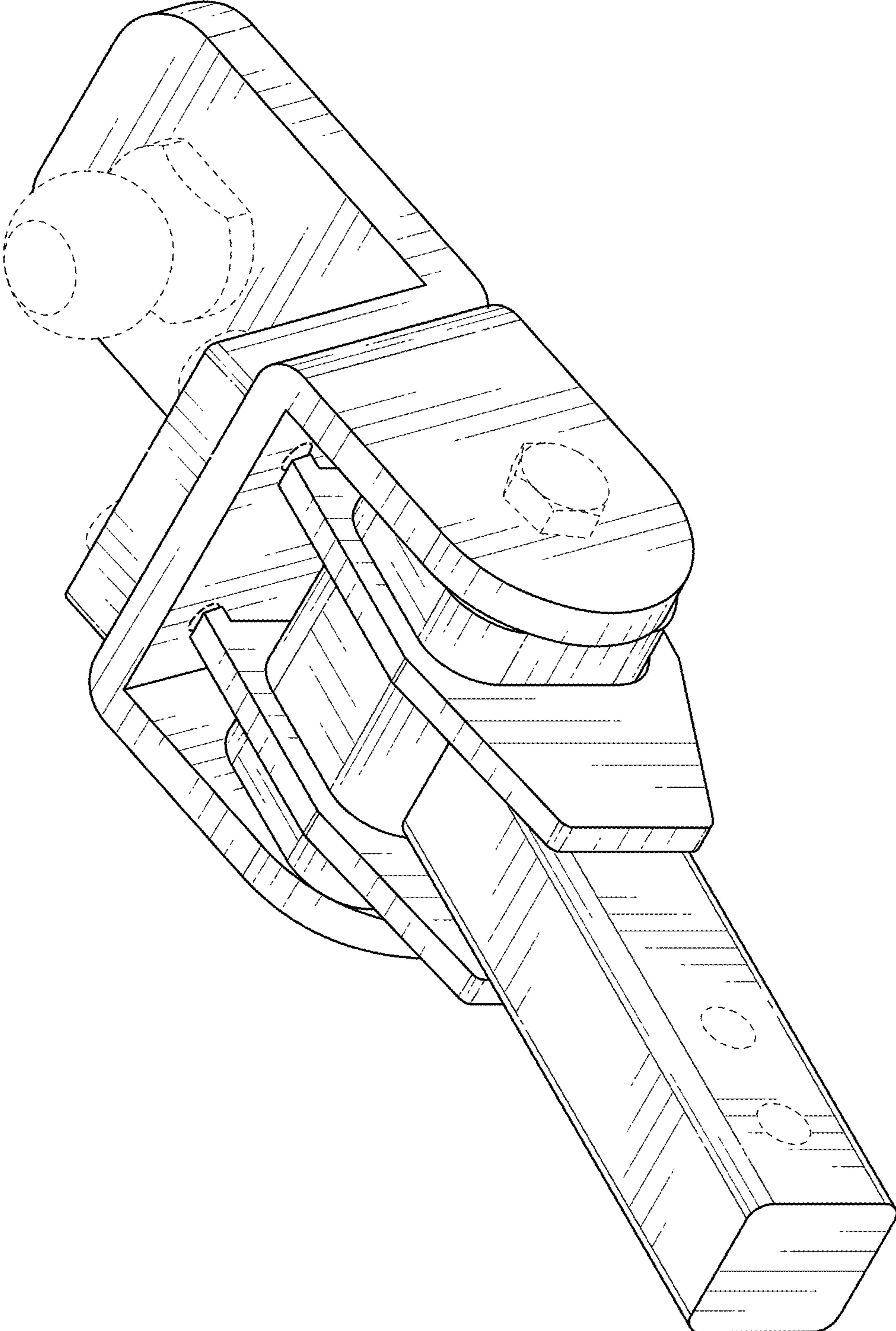


FIG. 1

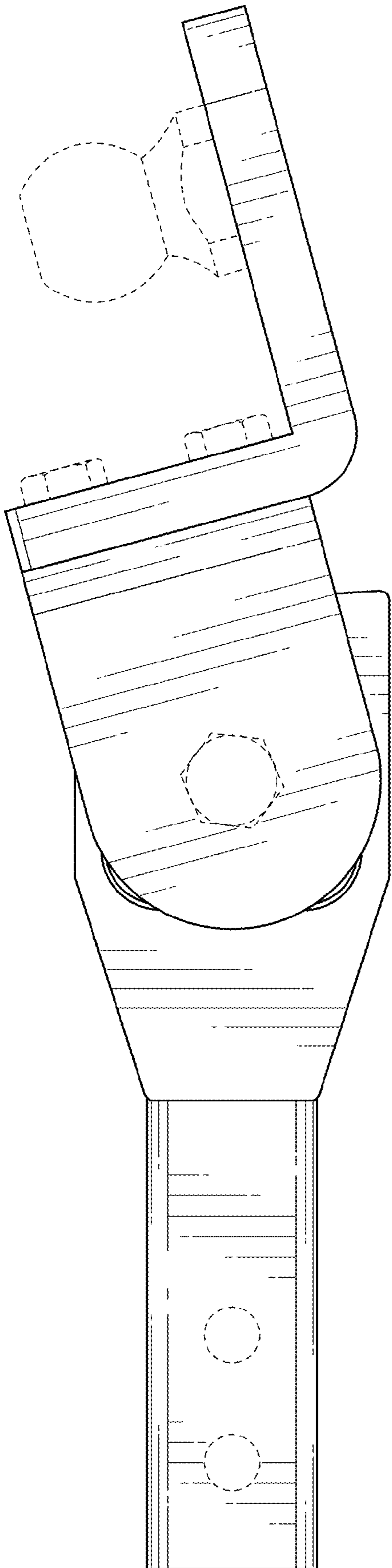


FIG. 2

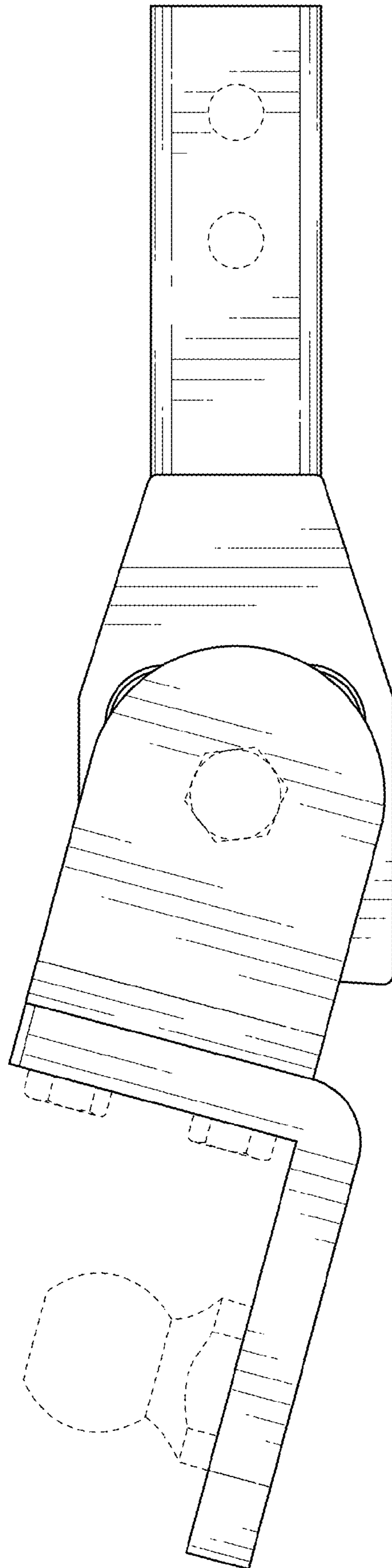


FIG. 3

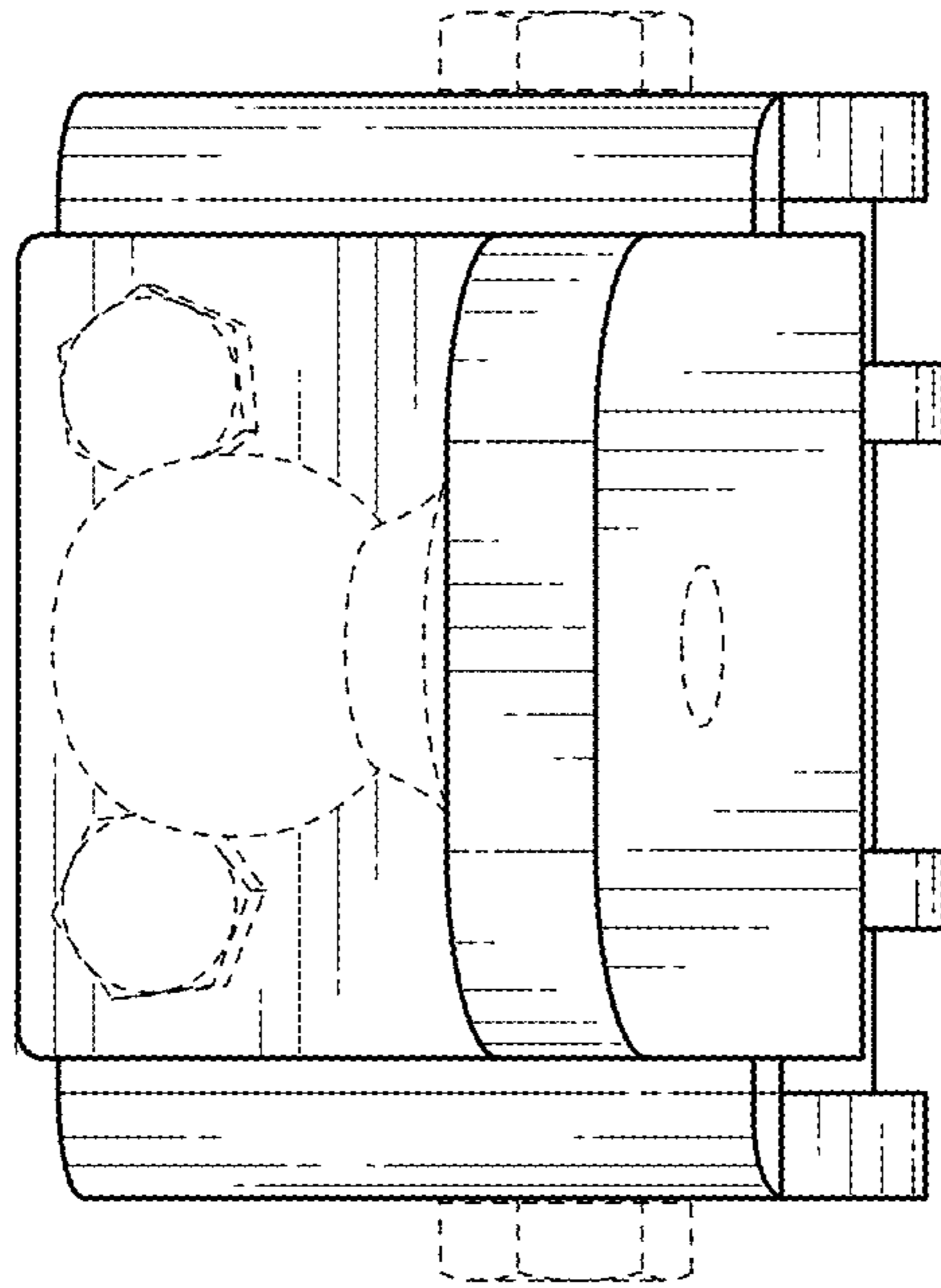


FIG. 5

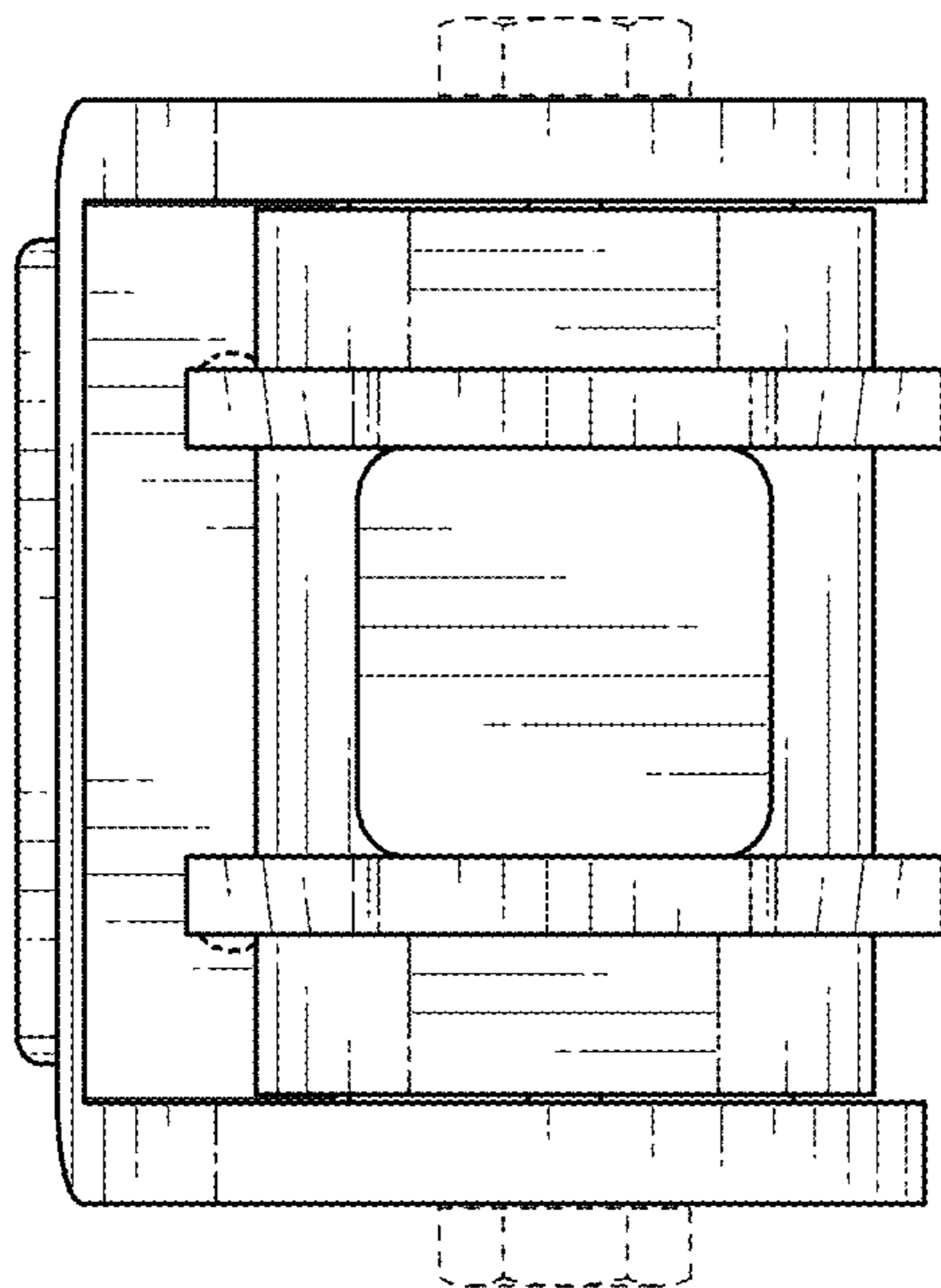


FIG. 4

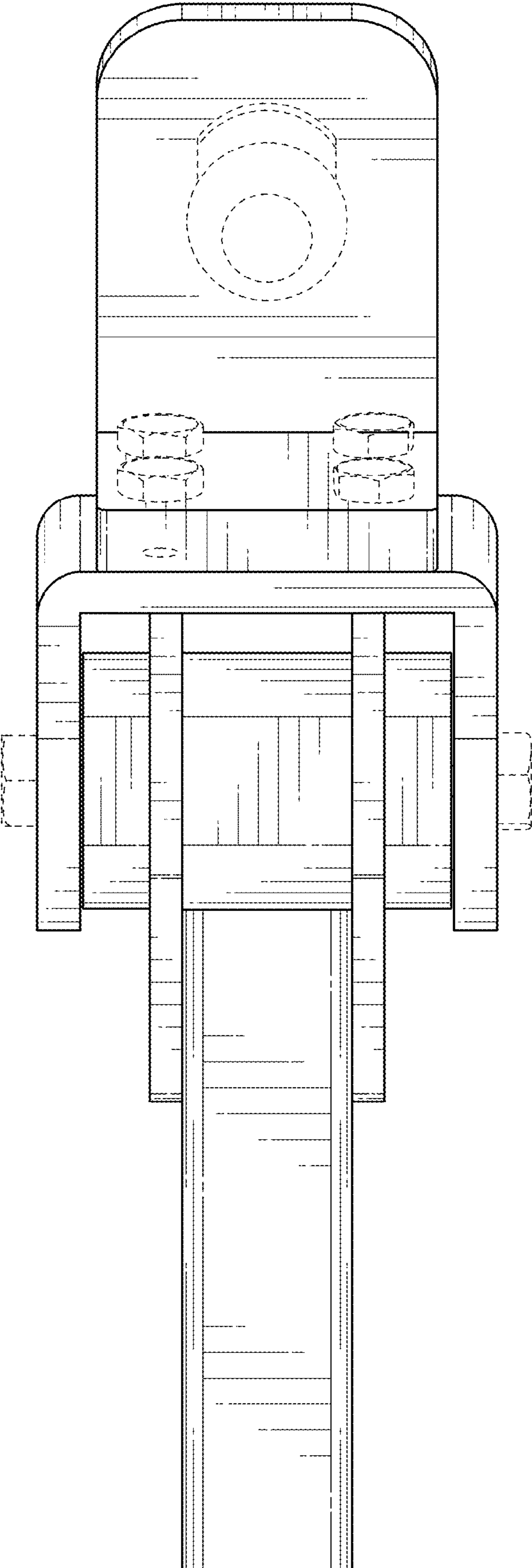


FIG. 6

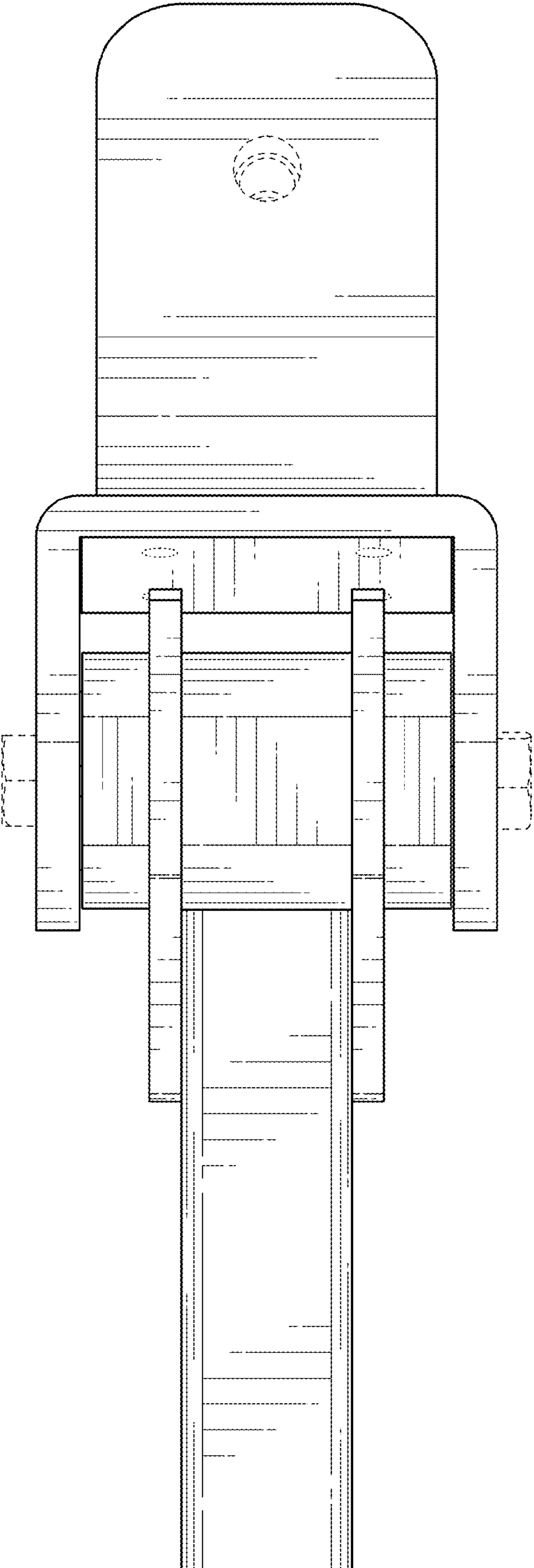


FIG. 7