



US00D897244S

(12) **United States Design Patent** (10) **Patent No.:** **US D897,244 S**
Tangen (45) **Date of Patent:** **** Sep. 29, 2020**

(54) **ROLLATOR**

(71) Applicant: **TOPRO INDUSTRI AS**, Gjøvik (NO)

(72) Inventor: **Josef Tangen**, Gamle Fredrikstad (NO)

(**) Term: **15 Years**

(21) Appl. No.: **35/506,773**

(22) Filed: **Dec. 20, 2018**

(80) **Hague Agreement Data**

Int. Filing Date: **Dec. 20, 2018**

Int. Reg. No.: **DM/200834**

Int. Reg. Date: **Dec. 20, 2018**

Int. Reg. Pub. Date: **May 17, 2019**

(51) **LOC (12) Cl.** **12-12**

(52) **U.S. Cl.**
USPC **D12/130**

(58) **Field of Classification Search**
USPC D21/128-133, 686-691
CPC A61H 3/04; A61H 2003/043; A61H
2003/046; A61G 5/14; A61G
5/1056-1075

See application file for complete search history.

(56) **References Cited**

U.S. PATENT DOCUMENTS

D651,139 S *	12/2011	Angelfoss	D12/129
D789,254 S *	6/2017	Koshiishi	D12/130
D834,458 S *	11/2018	Paterson	D12/130
D845,841 S *	4/2019	No-Young	D12/130
D857,561 S *	8/2019	Berman	D12/130
D865,575 S *	11/2019	Lin	D12/130
D874,351 S *	2/2020	Fellingham	D12/130

* cited by examiner

Primary Examiner — George D. Kirschbaum

Assistant Examiner — Joseph J Kukella

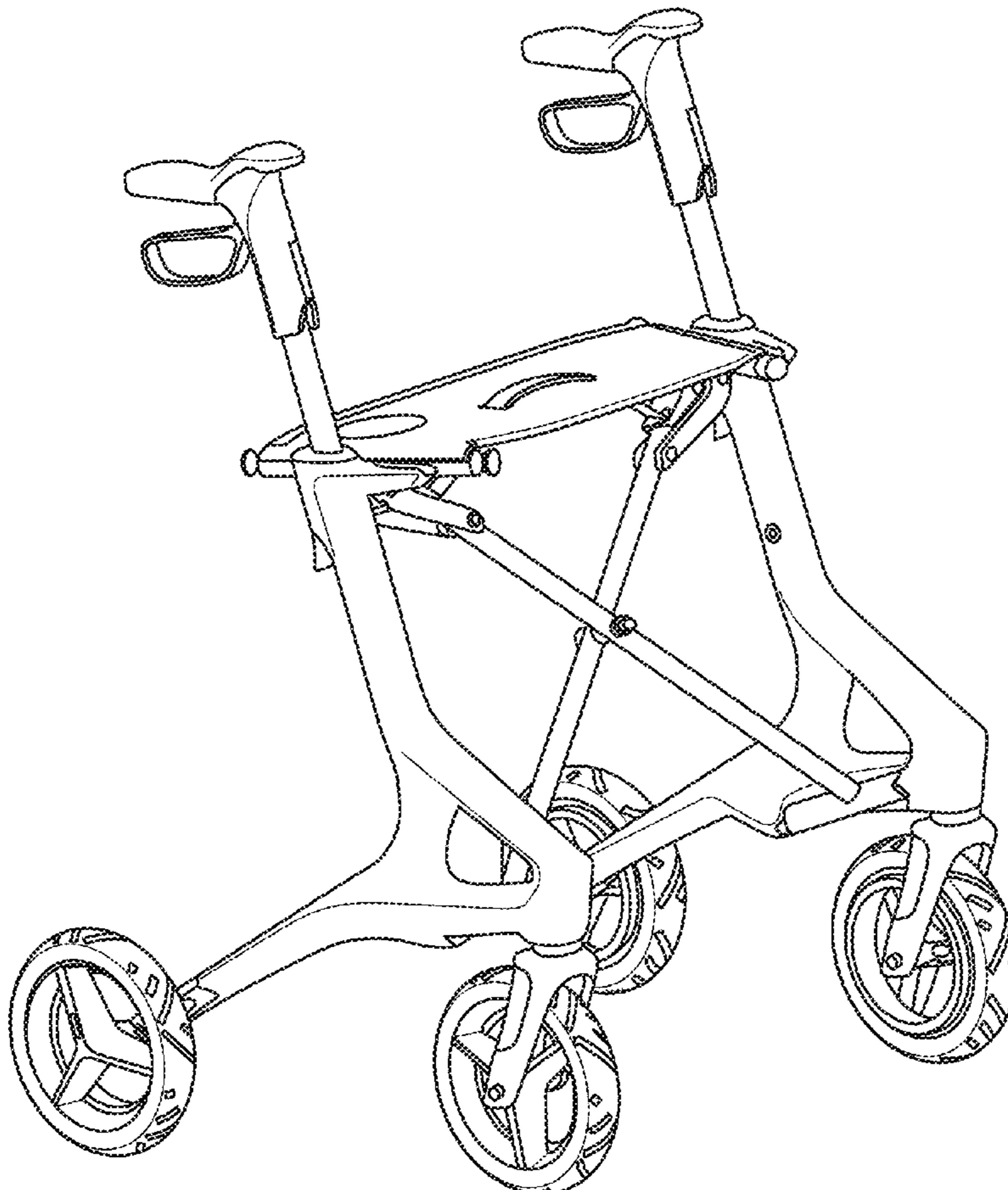
(57) **CLAIM**

The ornamental design for a rollator, as shown and described.

DESCRIPTION

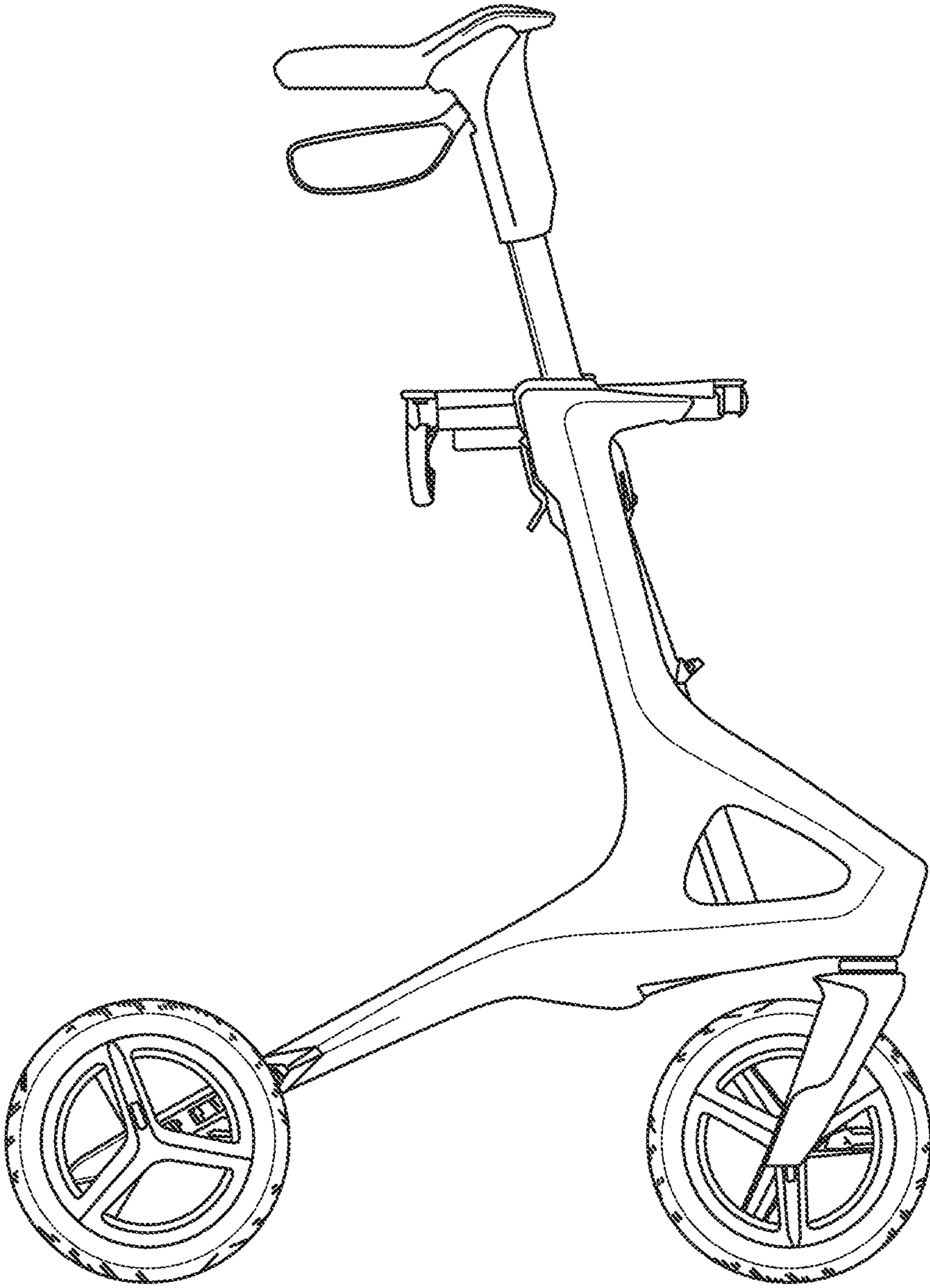
FIG. 1.1 is a front perspective view of a rollator;
FIG. 1.2 is a right side view of a rollator;
FIG. 1.3 is a front view of a rollator;
FIG. 1.4 is a rear view of a rollator;
FIG. 1.5 is a left side view of a rollator;
FIG. 1.6 is a top view of a rollator;
FIG. 1.7 is a bottom view of a rollator; and
FIG. 1.8 is a rear perspective view of a rollator.

1 Claim, 8 Drawing Sheets

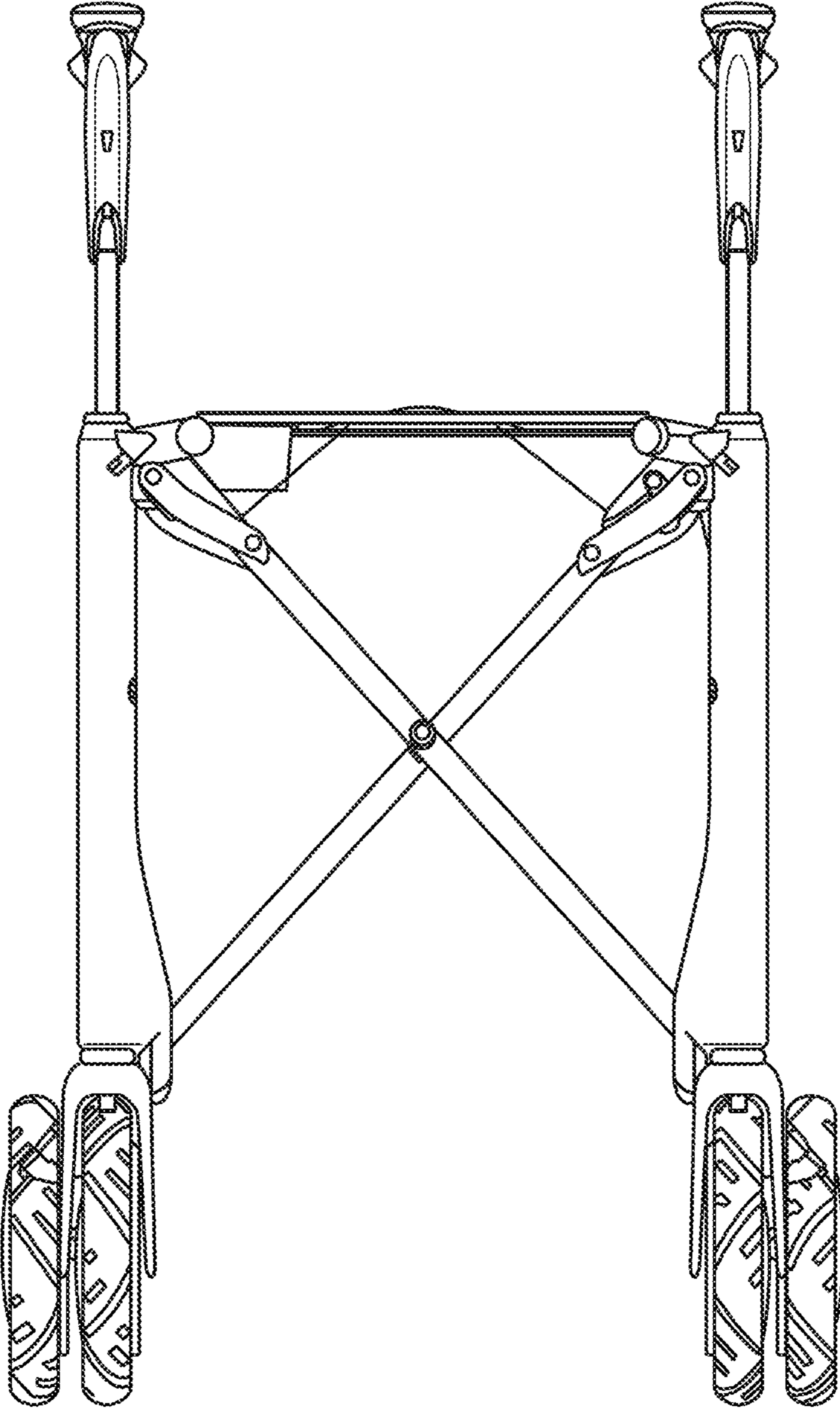




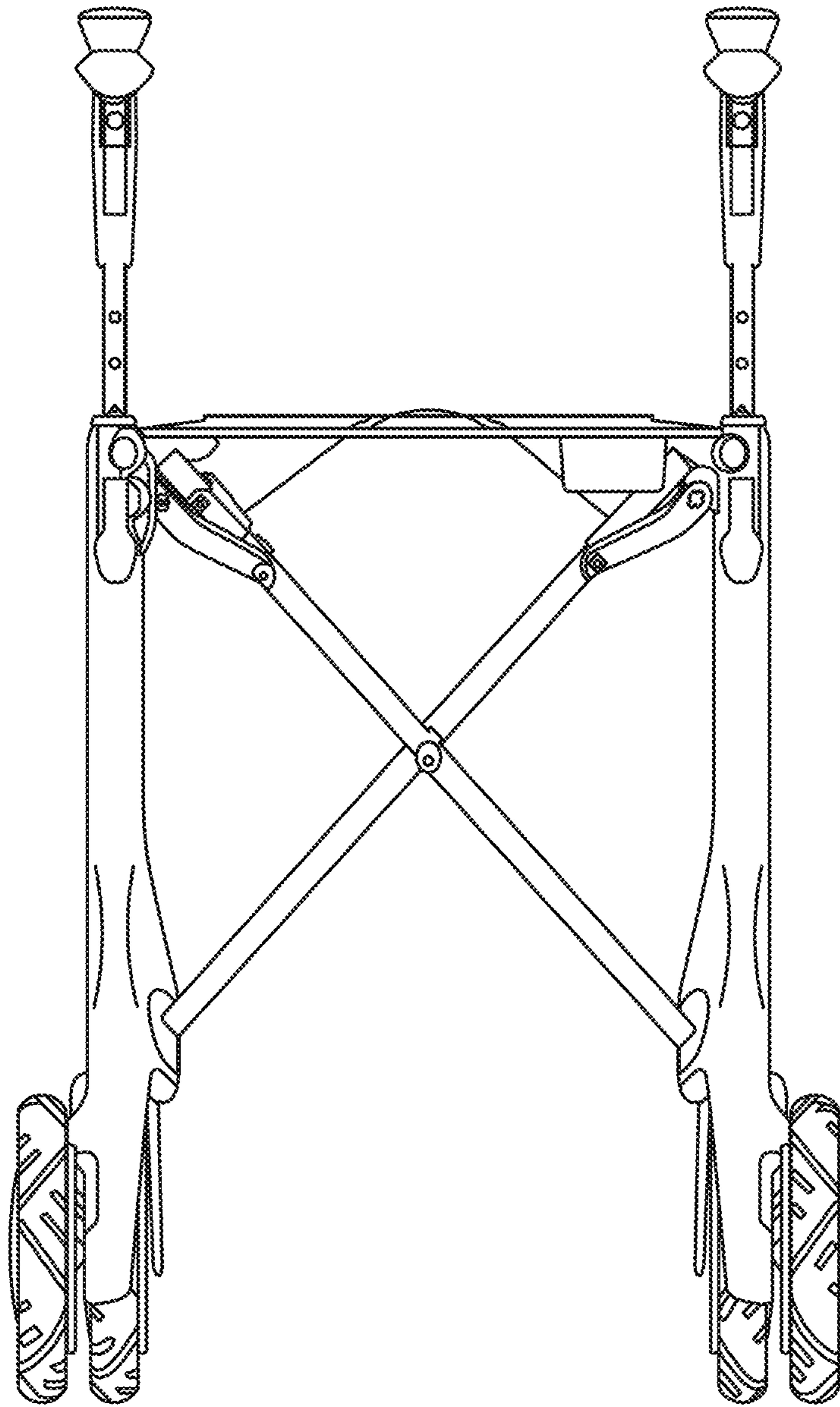
1.1



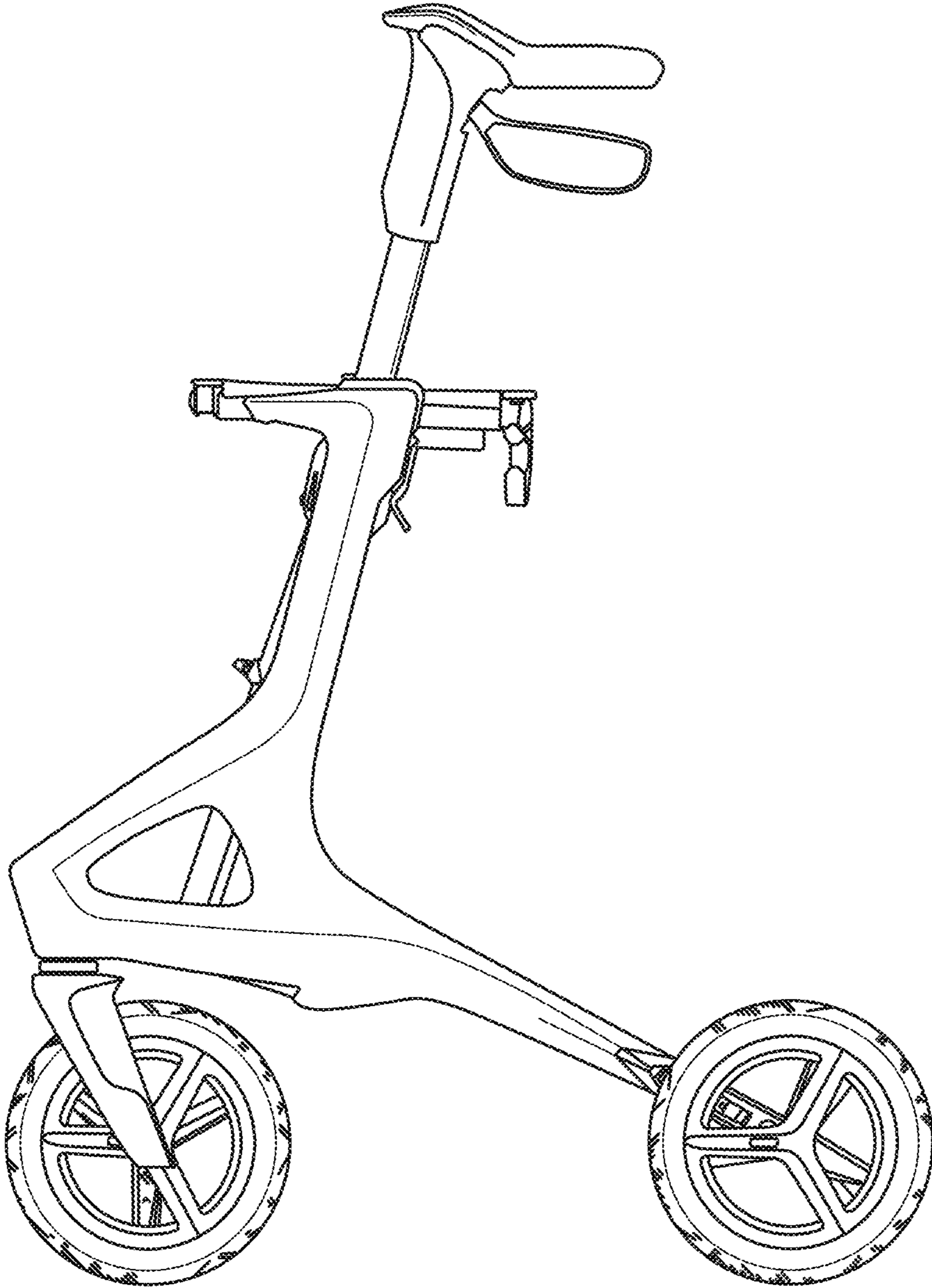
1.2



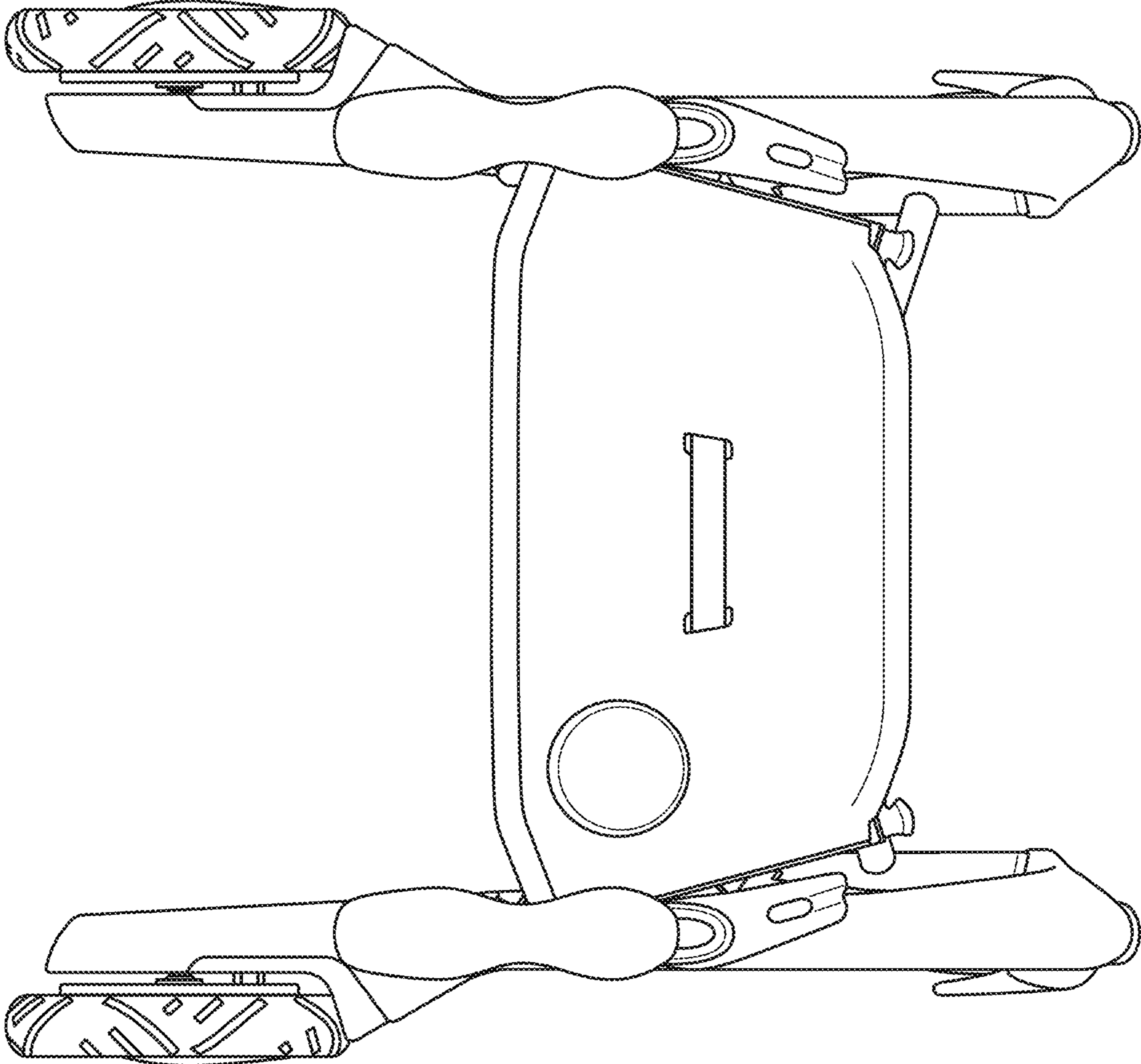
1.3



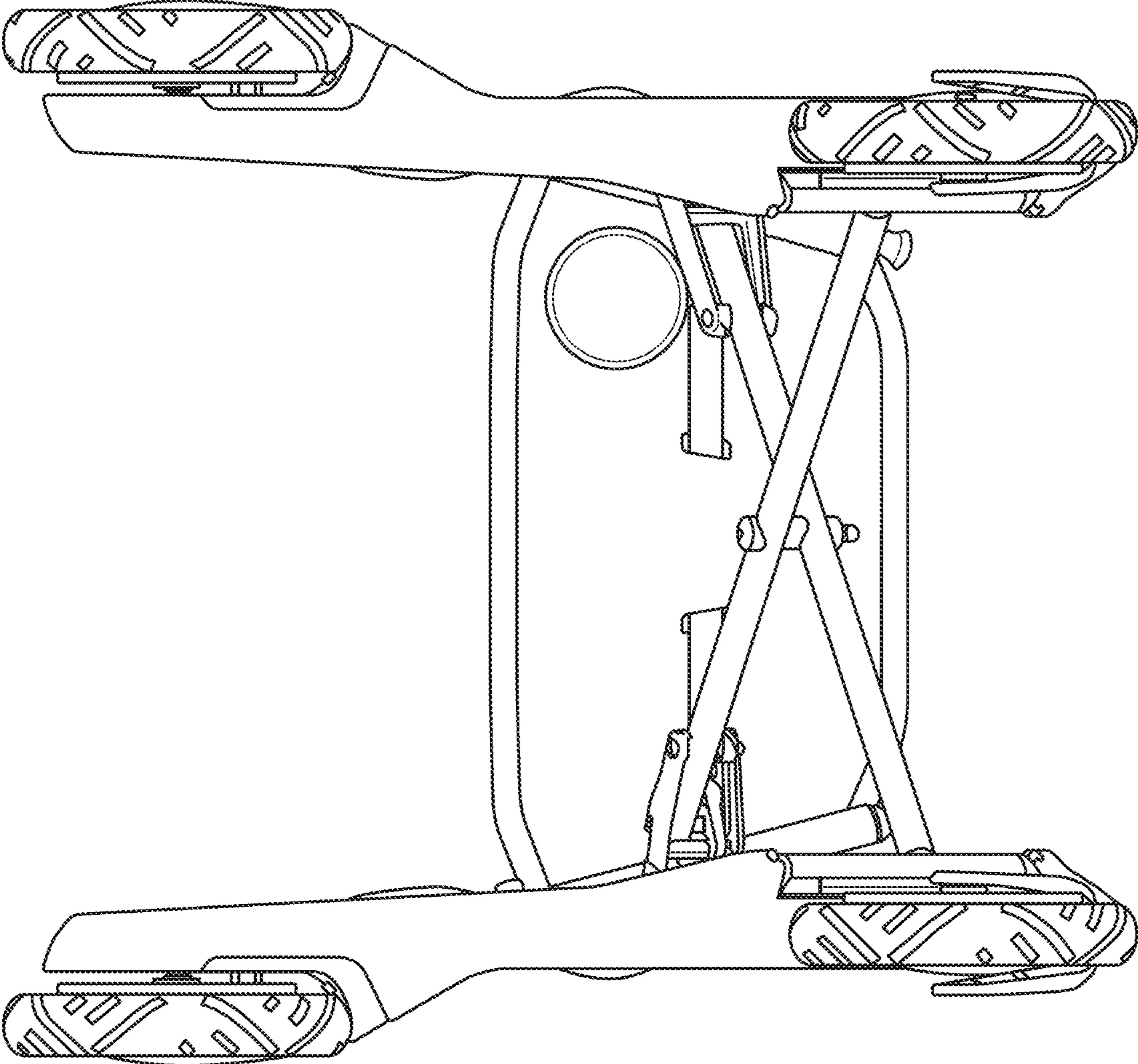
1.4



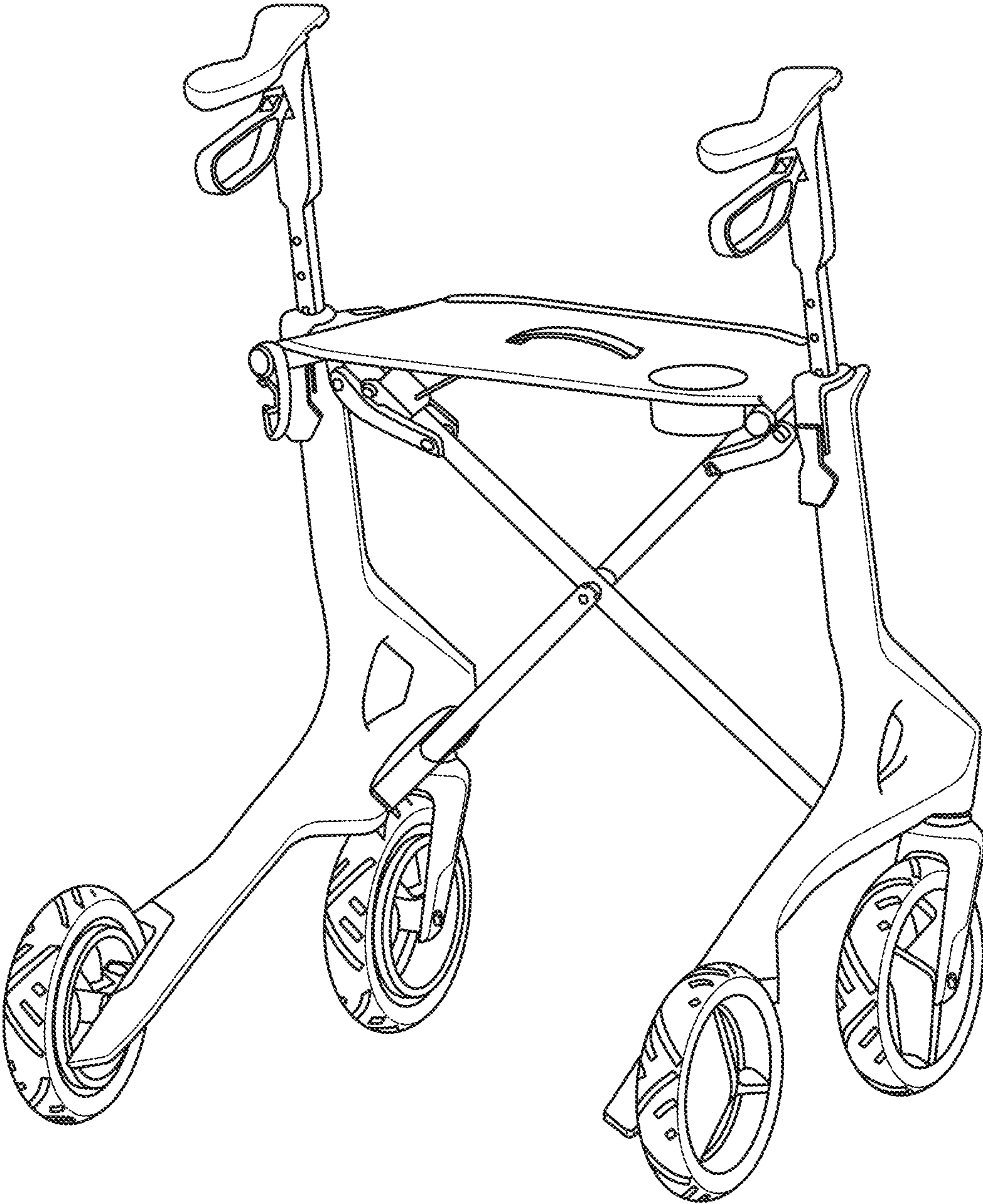
1.5



1.6



1.7



1.8