



US00D897243S

(12) **United States Design Patent** (10) **Patent No.:** **US D897,243 S**
Tsai (45) **Date of Patent:** **** Sep. 29, 2020**

(54) **ROLLATOR**
(71) Applicant: **Care & Care Health Products Co., Ltd.**, Miaoli County (TW)
(72) Inventor: **Max Tsai**, Miaoli County (TW)
(73) Assignee: **Care & Care Health Products Co., Ltd.**, Yuanli Township, Miaoli County (TW)
(**) Term: **15 Years**
(21) Appl. No.: **29/689,971**
(22) Filed: **May 3, 2019**
(51) **LOC (12) Cl.** **12-12**
(52) **U.S. Cl.**
USPC **D12/130**
(58) **Field of Classification Search**
USPC **D12/128-133**
See application file for complete search history.

9,839,571 B2 * 12/2017 Pan A47C 4/04
D807,793 S * 1/2018 Paterson D12/130
9,877,889 B2 * 1/2018 Chen A61H 3/04
9,907,723 B2 * 3/2018 Bisceglia A61H 3/04
9,968,509 B2 * 5/2018 Andersen A61H 3/04
9,974,708 B1 * 5/2018 Janeczek B60T 7/08

* cited by examiner

Primary Examiner — Charles D Hanson
(74) *Attorney, Agent, or Firm* — Muncy, Geissler, Olds & Lowe, P.C.

(57) **CLAIM**

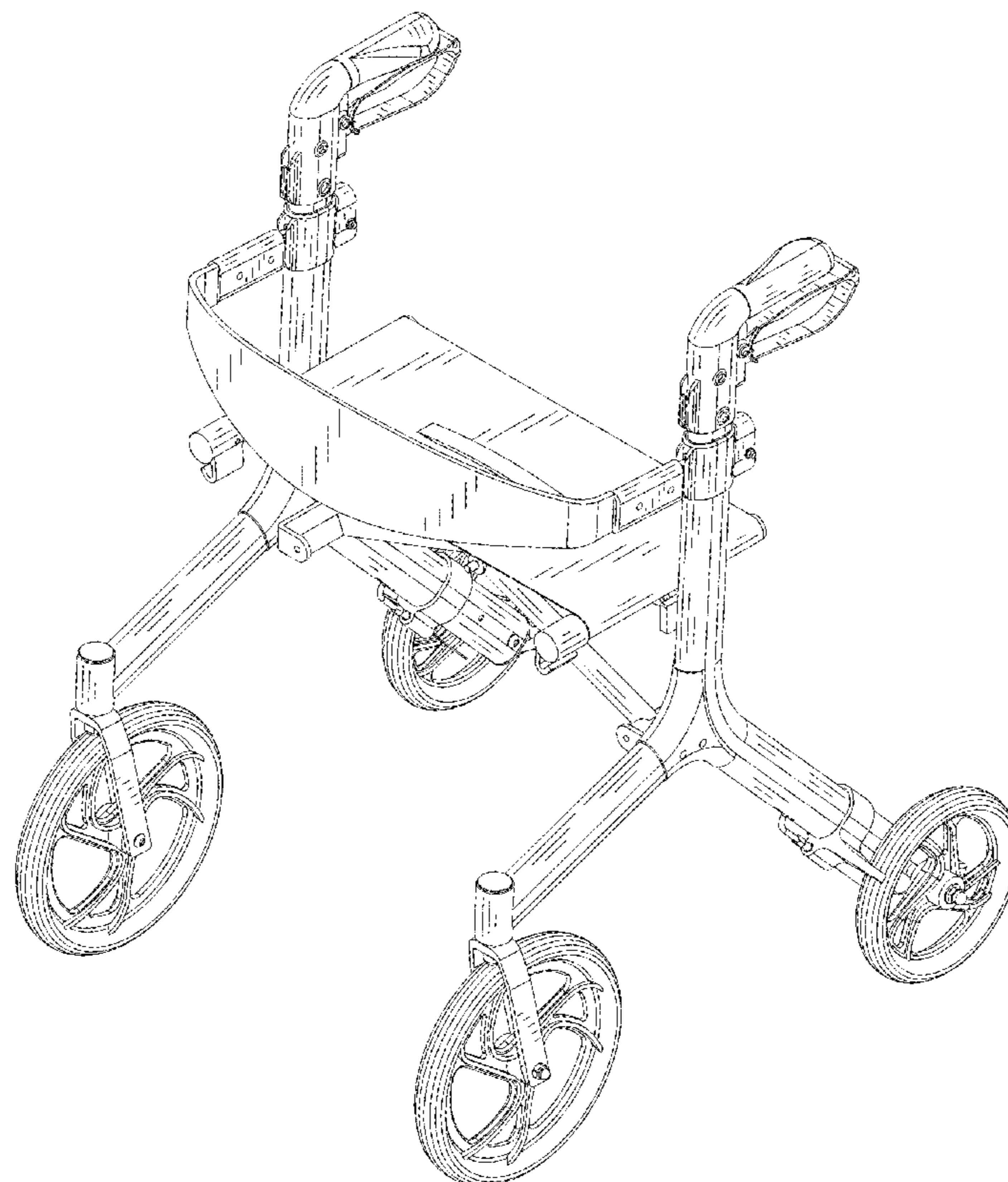
I claim the ornamental design for a rollator, as shown and described.

DESCRIPTION

FIG. 1 is a top, front, right perspective view of a rollator showing my new design;
FIG. 2 is a front elevational view thereof;
FIG. 3 is a rear elevational view thereof;
FIG. 4 is a left side view thereof;
FIG. 5 is a right side view thereof;
FIG. 6 is a top plan view thereof;
FIG. 7 is a bottom plan view thereof;
FIG. 8 is a top, rear, right perspective view thereof; and,
FIG. 9 is a top, front, right perspective view showing the rollator in use.
The features shown in broken lines in FIG. 9 depict environmental structure only and form no part of the claimed design.

1 Claim, 9 Drawing Sheets

(56) **References Cited**
U.S. PATENT DOCUMENTS
D739,314 S * 9/2015 Wang D12/130
9,226,868 B2 * 1/2016 Andersen A61H 3/04
D754,034 S * 4/2016 Wang D12/130
D754,568 S * 4/2016 Wang D12/130
9,381,132 B2 * 7/2016 Chen A61H 3/04
9,687,411 B2 * 6/2017 Chen A61H 3/04
9,763,849 B2 * 9/2017 Paterson A61H 3/04



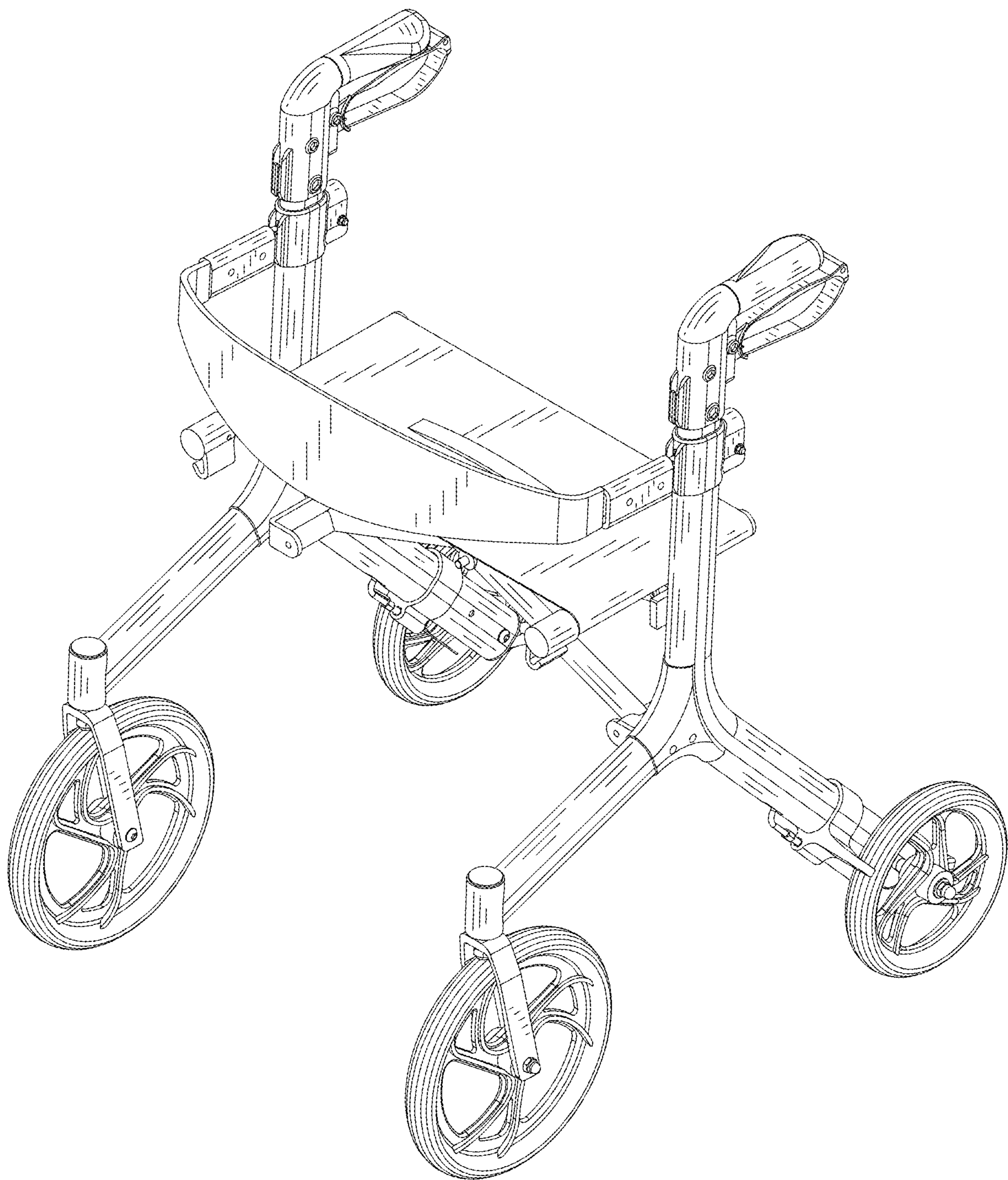


FIG. 1

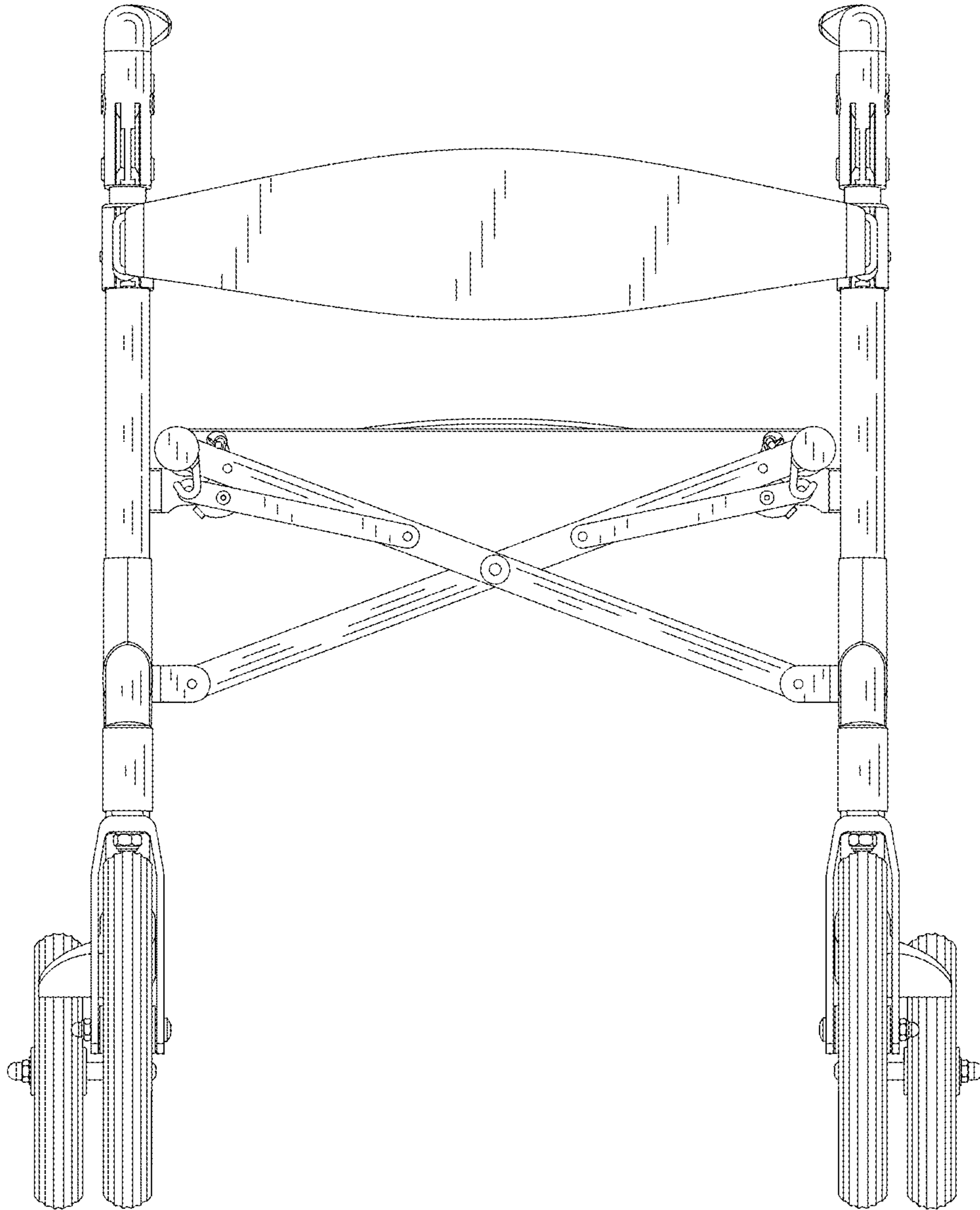


FIG. 2

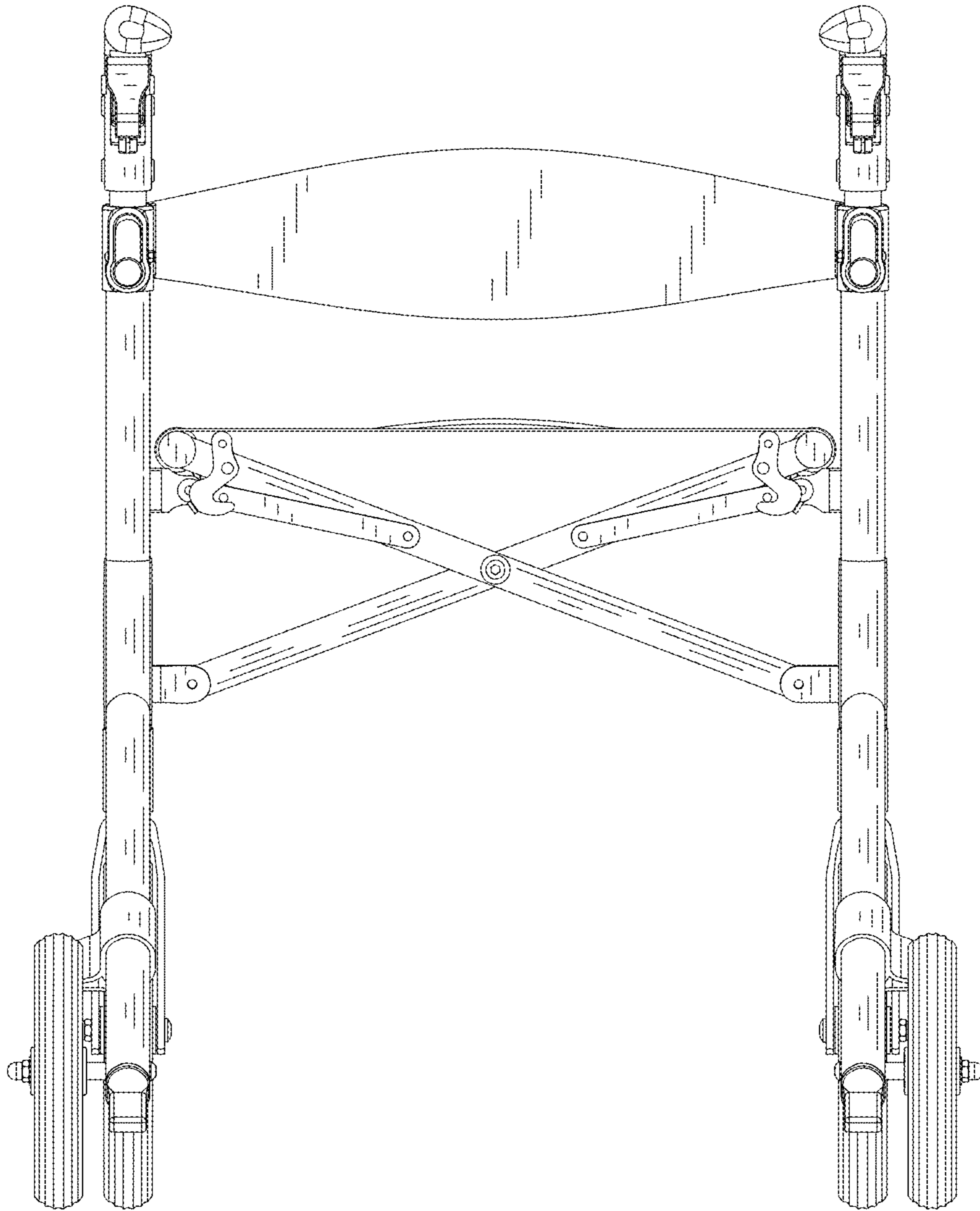


FIG. 3

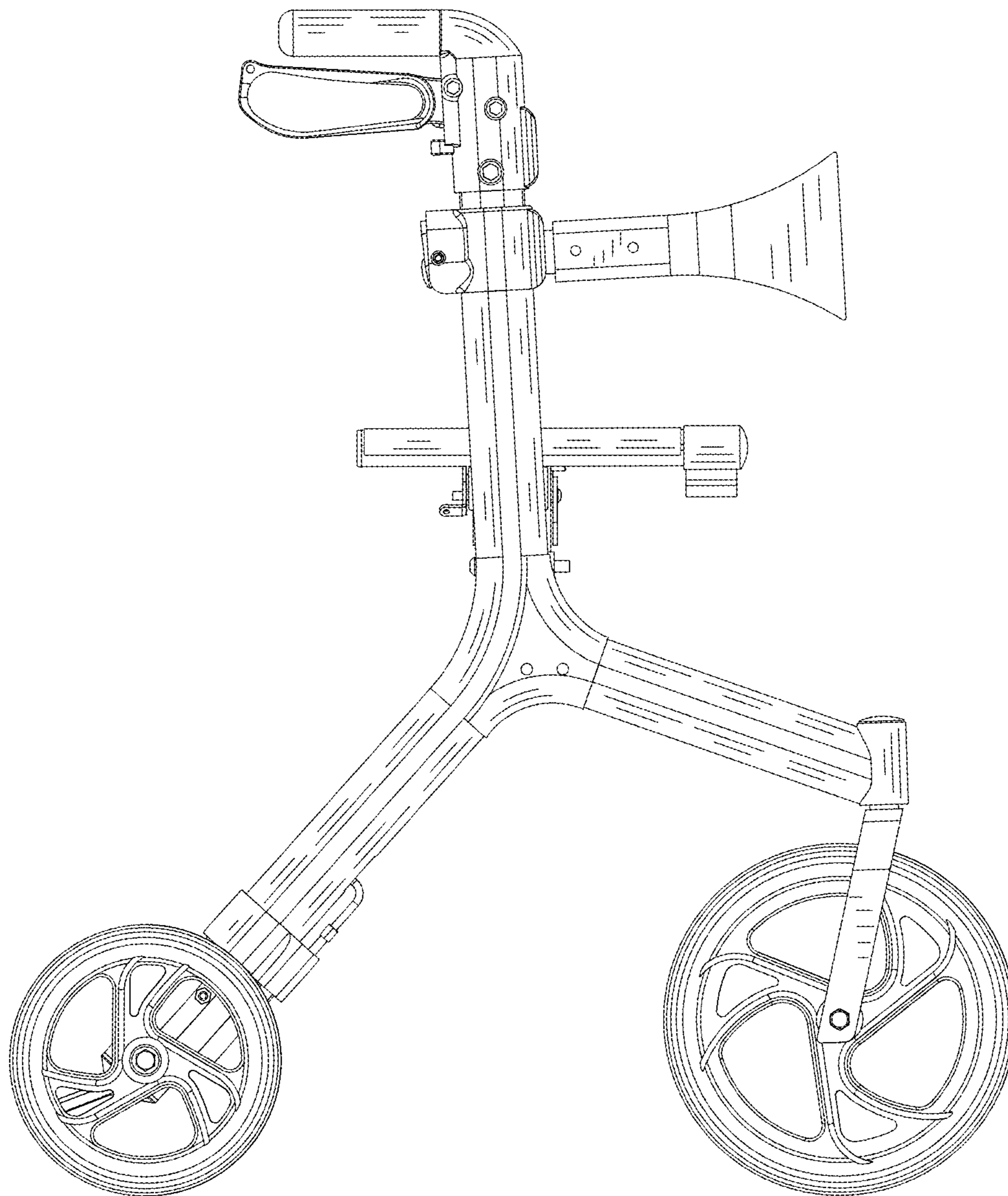


FIG. 4

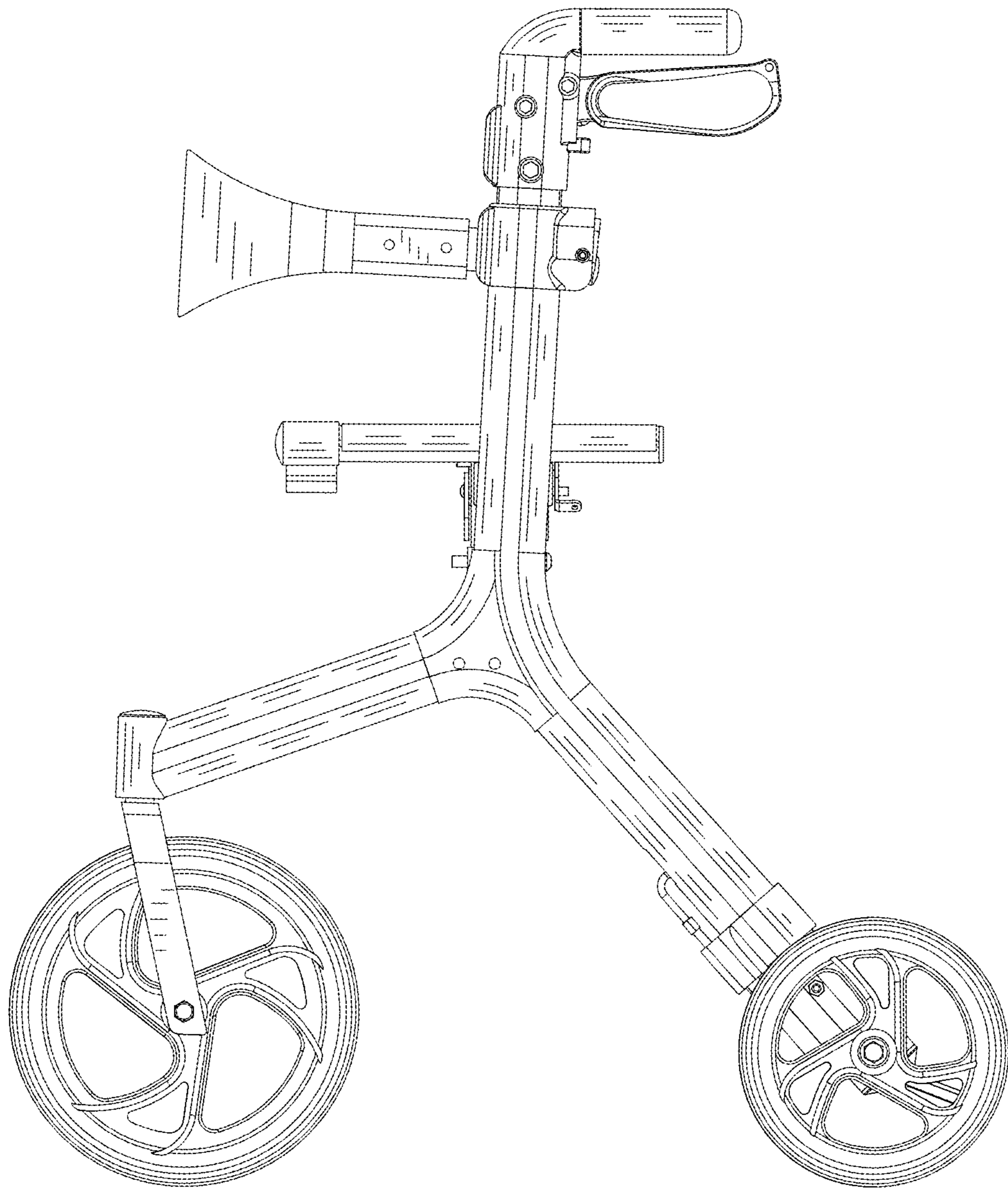


FIG. 5

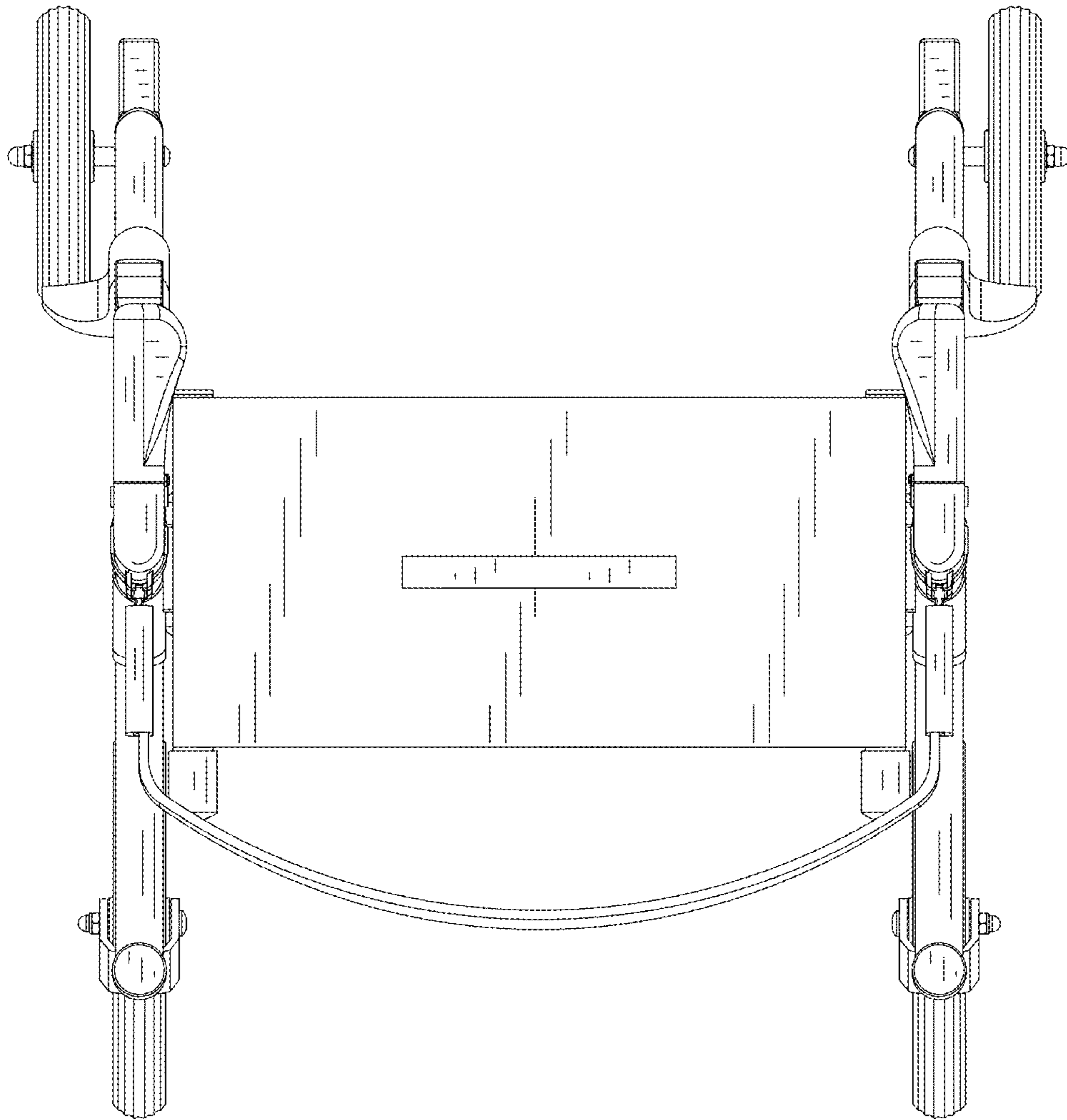


FIG. 6

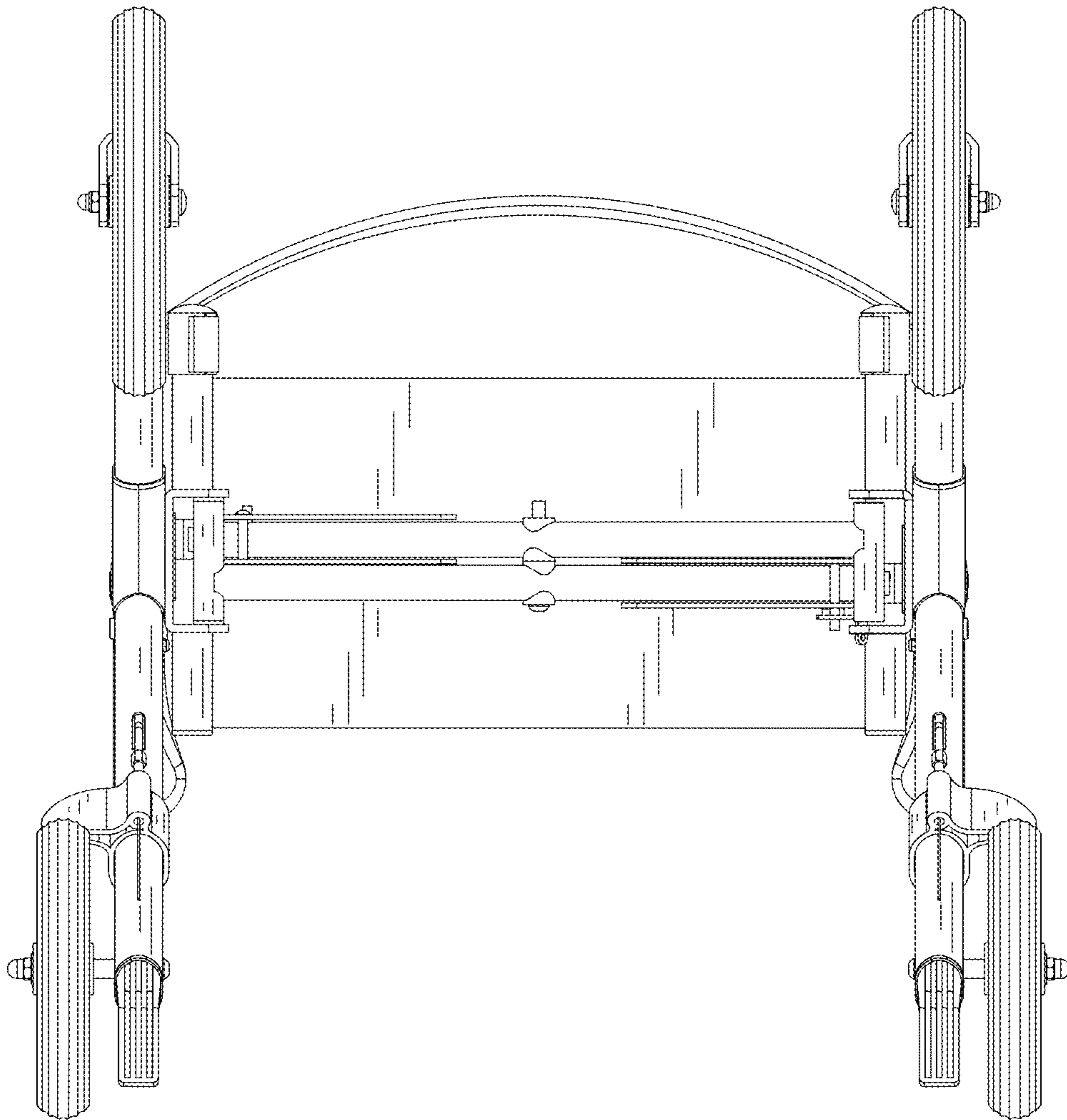


FIG. 7

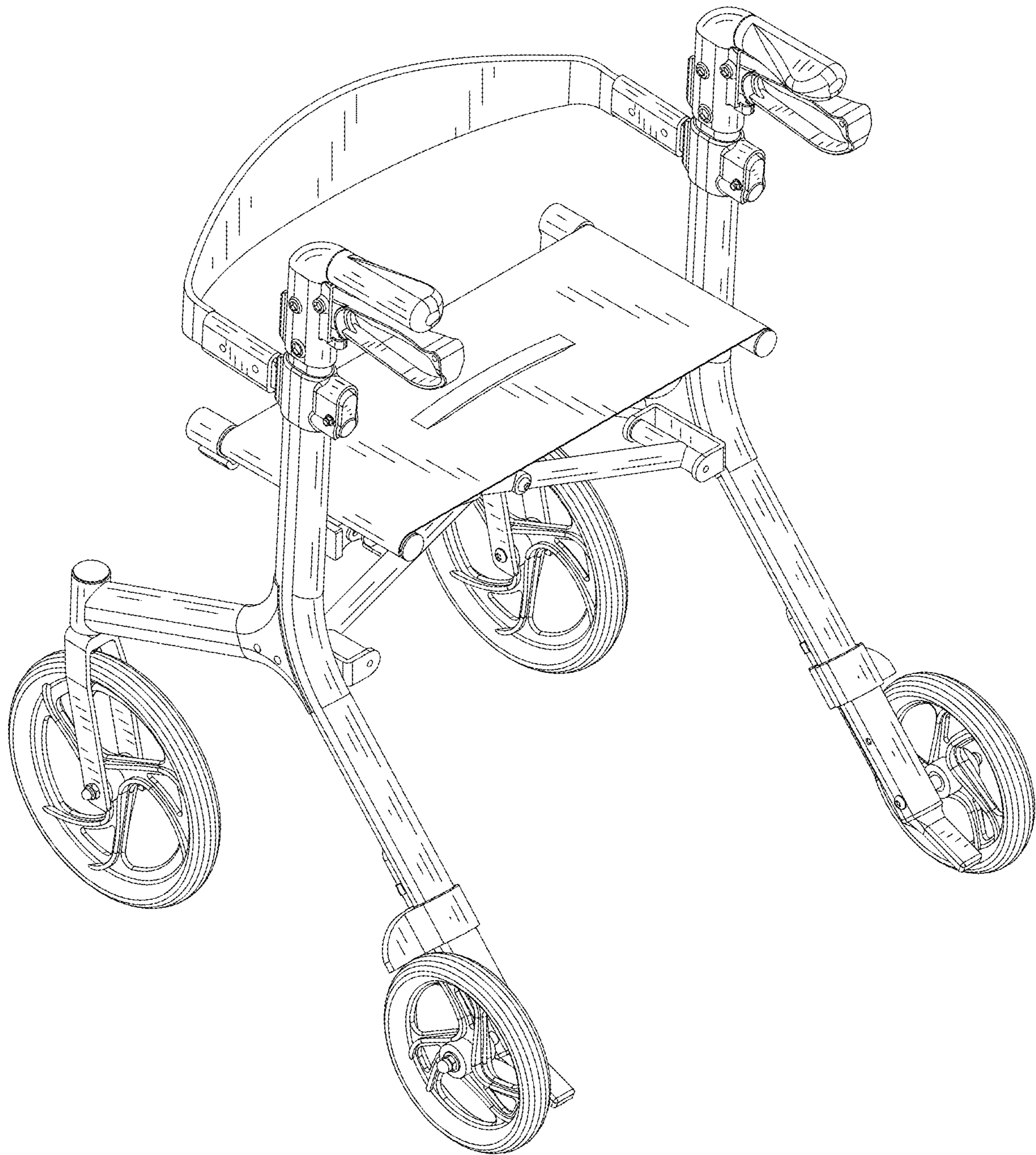


FIG. 8

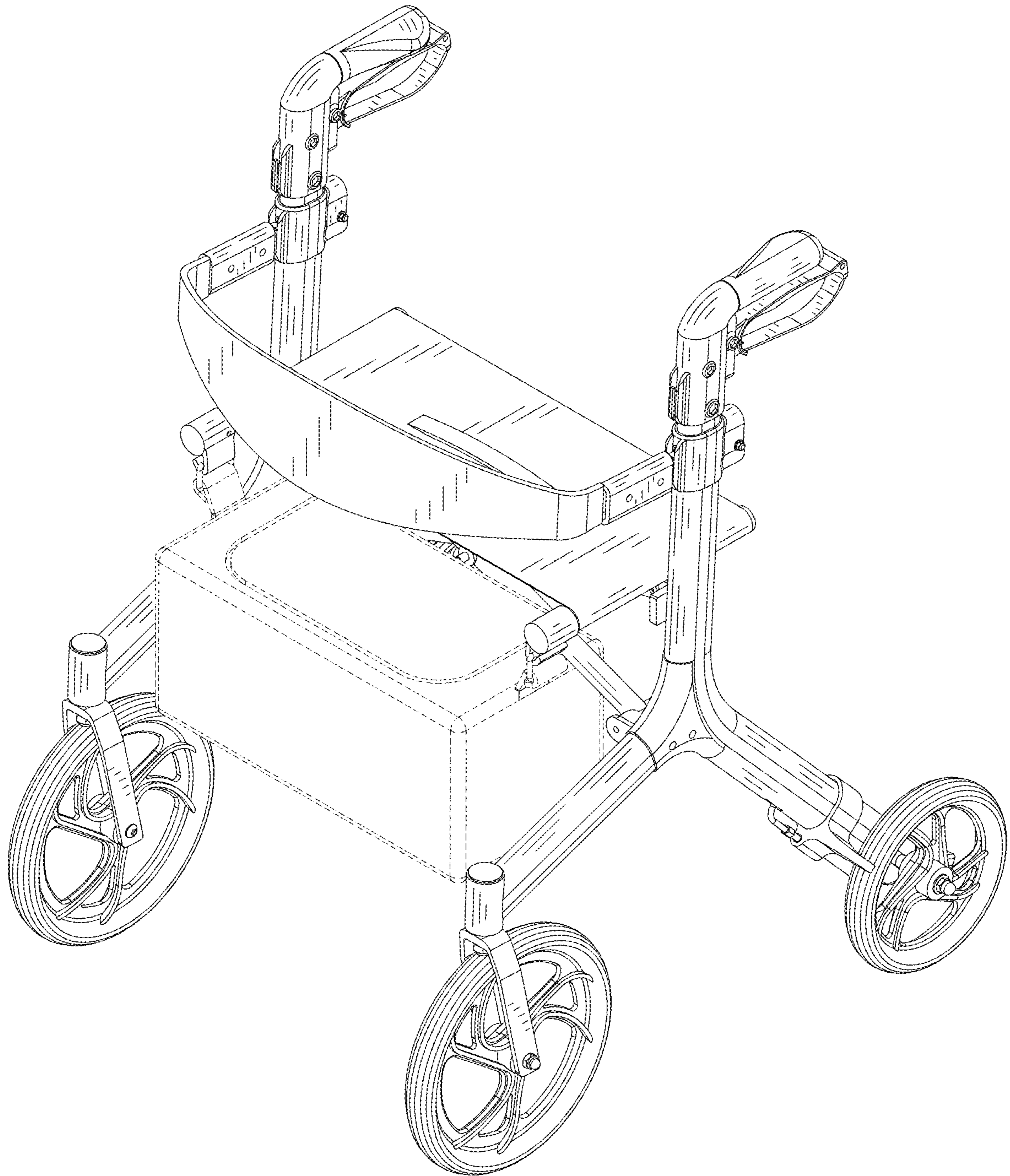


FIG. 9