



US00D897242S

(12) **United States Design Patent**
Yap

(10) **Patent No.:** **US D897,242 S**

(45) **Date of Patent:** **** Sep. 29, 2020**

- (54) **COMPACT FOLDING ELECTRIC BICYCLE**
- (71) Applicant: **Fook Fah Yap**, Singapore (SG)
- (72) Inventor: **Fook Fah Yap**, Singapore (SG)
- (**) Term: **15 Years**
- (21) Appl. No.: **29/656,757**
- (22) Filed: **Jul. 16, 2018**
- (51) **LOC (12) Cl.** **12-11**
- (52) **U.S. Cl.**
USPC **D12/111**
- (58) **Field of Classification Search**
USPC D12/111, 107, 114, 117, 159; D21/419,
D21/424, 427, 432, 663, 664, 666, 697
CPC . B62K 3/00; B62K 3/005; B62K 3/02; B62K
3/04; B62K 11/00; B62K 11/02; B62K
11/10; B62K 11/14; B62K 9/02; B62K
21/12; B62K 21/16; B62K 21/26; B62K
21/02; B62K 21/04; B62K 21/06; B62K
15/006; B62K 2201/04; B62K 25/04;
B62K 25/08; B62K 25/16; B62K 25/30;
B62K 19/02; B62K 19/08; B62K 19/16
See application file for complete search history.

(56) **References Cited**

U.S. PATENT DOCUMENTS

- D500,465 S * 1/2005 Gunter D12/111
 - D617,687 S * 6/2010 Brady D12/111
- (Continued)

FOREIGN PATENT DOCUMENTS

- CN 201330232037 * 6/2013
 - EP 2471702 A1 * 7/2012 B62K 3/02
- (Continued)

OTHER PUBLICATIONS

Youtube, Mi Qicycle Electric Folding Bike, posted Jun. 29, 2016, [online], [visited May 6, 2020]. Internet, <URL: <https://www.youtube.com/watch?v=nupTfCDhHLw>> (Year: 2016).*

(Continued)

Primary Examiner — Sheryl Lane
Assistant Examiner — Samantha N Wood

(57) **CLAIM**

The ornamental design for a compact folding electric bicycle, as shown and described.

DESCRIPTION

FIG. 1 is a top-front perspective view of a compact folding electric bicycle in an unfolded configuration showing my new design;

FIG. 2 is a bottom-front perspective view thereof;

FIG. 3 is a top-back perspective view thereof;

FIG. 4 is a bottom-back perspective view thereof;

FIG. 5 is a front elevated view thereof;

FIG. 6 is a back elevated view thereof;

FIG. 7 is a top plan view thereof;

FIG. 8 is a bottom plan view thereof;

FIG. 9 is a left elevated view thereof;

FIG. 10 is a right elevated view thereof;

FIG. 11 is a top-front perspective view, showing the compact folding electric bicycle in a folded configuration showing my new design;

FIG. 12 is a bottom-front perspective view thereof;

FIG. 13 is a top-back perspective view thereof;

FIG. 14 is a bottom-back perspective view thereof;

FIG. 15 is a front elevated view thereof;

FIG. 16 is a back elevated view thereof;

FIG. 17 is a top plan view thereof;

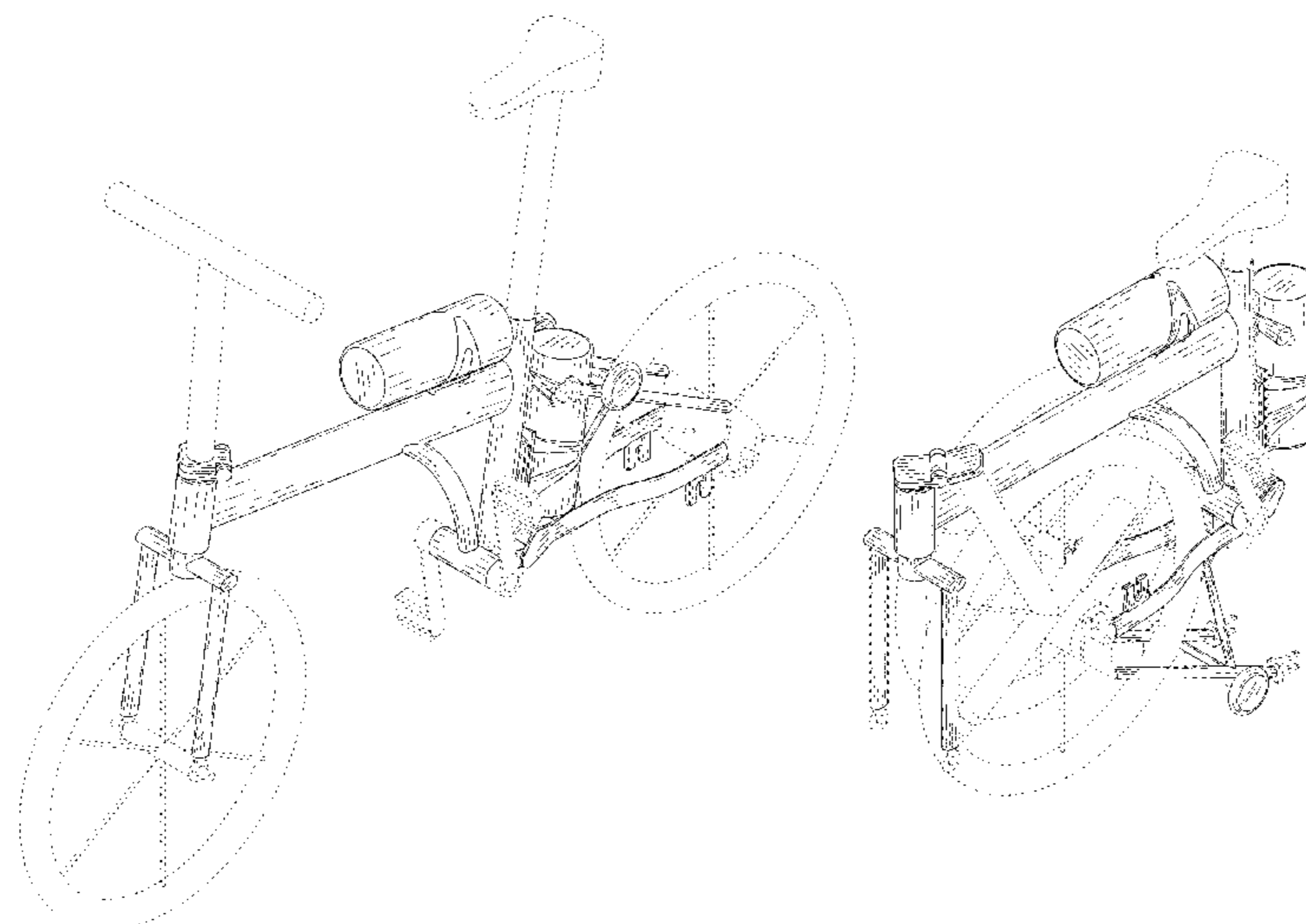
FIG. 18 is a bottom plan view thereof;

FIG. 19 is a left elevated view thereof; and,

FIG. 20 is a right elevated view thereof.

The broken lines showing of bicycle components in FIGS. 1-20 are included for the purpose of showing environmental structure and form no part of the claimed design.

1 Claim, 20 Drawing Sheets



(56)

References Cited

U.S. PATENT DOCUMENTS

D696,983 S * 1/2014 Bisges D12/111
8,894,084 B1 * 11/2014 Yap B62K 15/008
280/278
D759,549 S * 6/2016 Edmonds D12/111
D807,233 S * 1/2018 Zhang D12/111
2006/0061060 A1 * 3/2006 Chen B62K 15/006
280/287

FOREIGN PATENT DOCUMENTS

GB 1205286 A * 9/1970 B62K 25/30
KR 3020160038284 * 8/2016

OTHER PUBLICATIONS

Amazon, XXCY Folding Electric Bike, posted Dec. 28, 2018,
[online], [visited May 6, 2020]. Internet, <URL: <https://www.amazon.co.uk/XXCY-Folding-Electric-battery-Display/dp/B07MDKXDVQ/ref=>> (Year: 2018).*

* cited by examiner

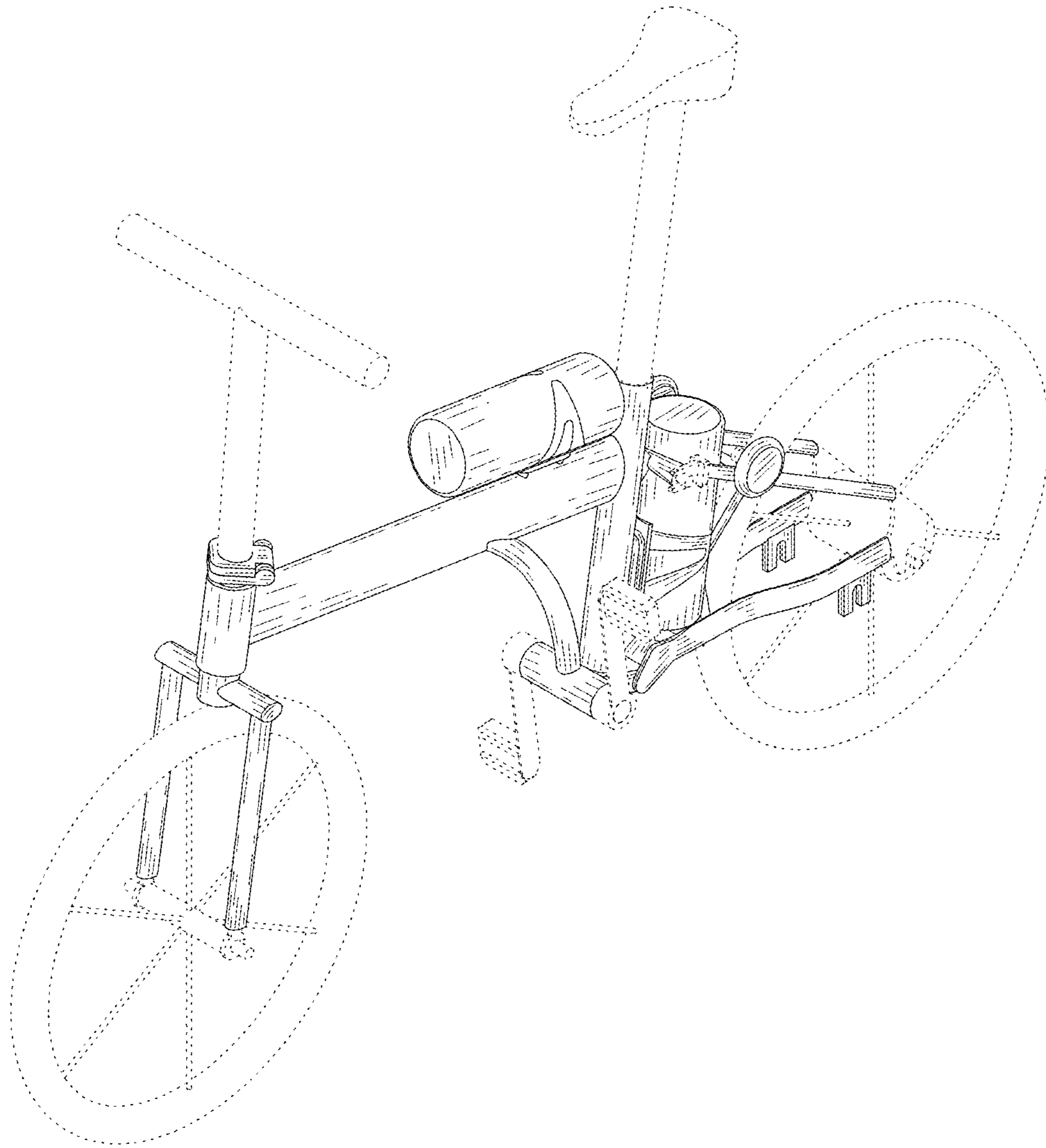


FIG. 1

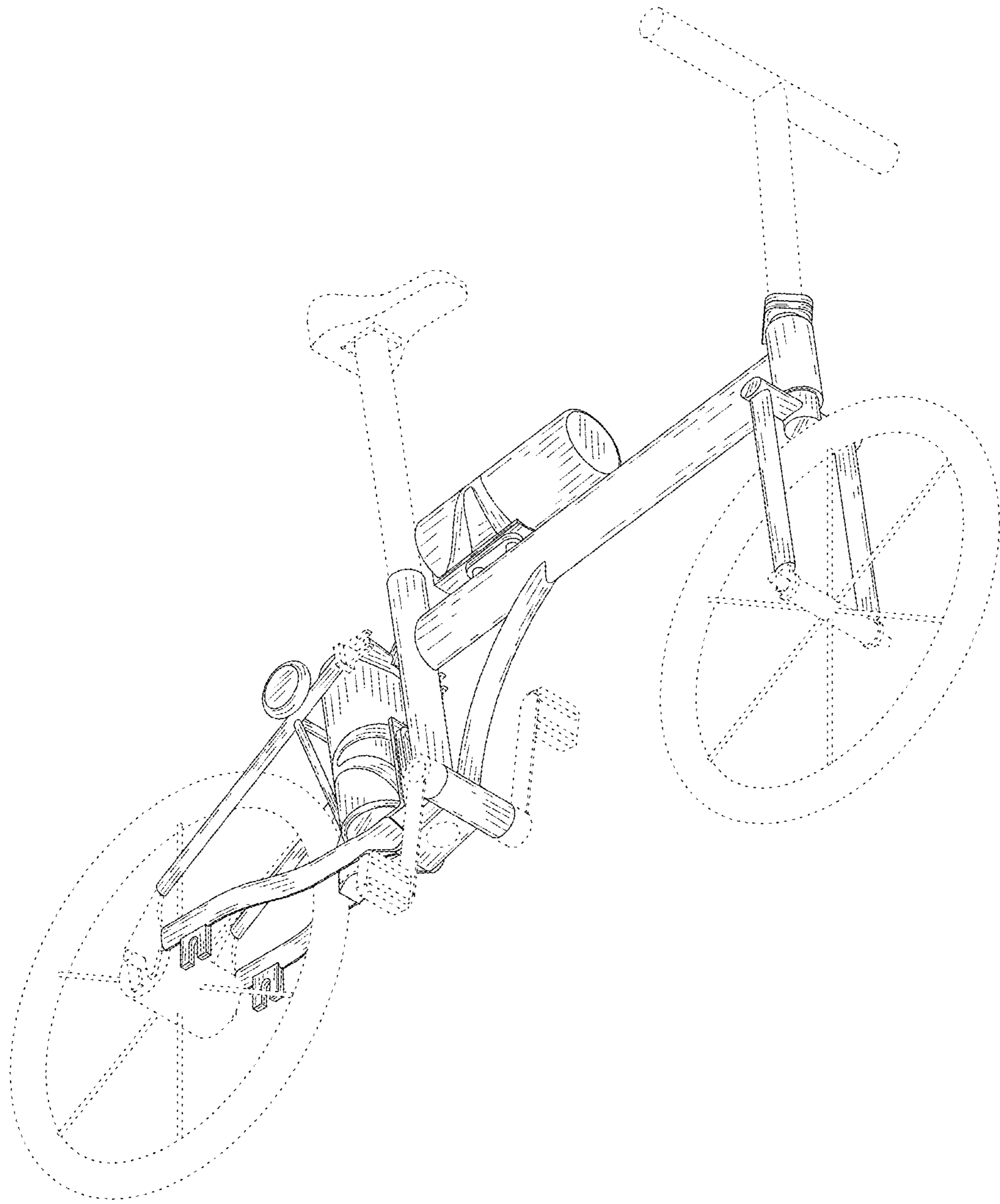


FIG. 2

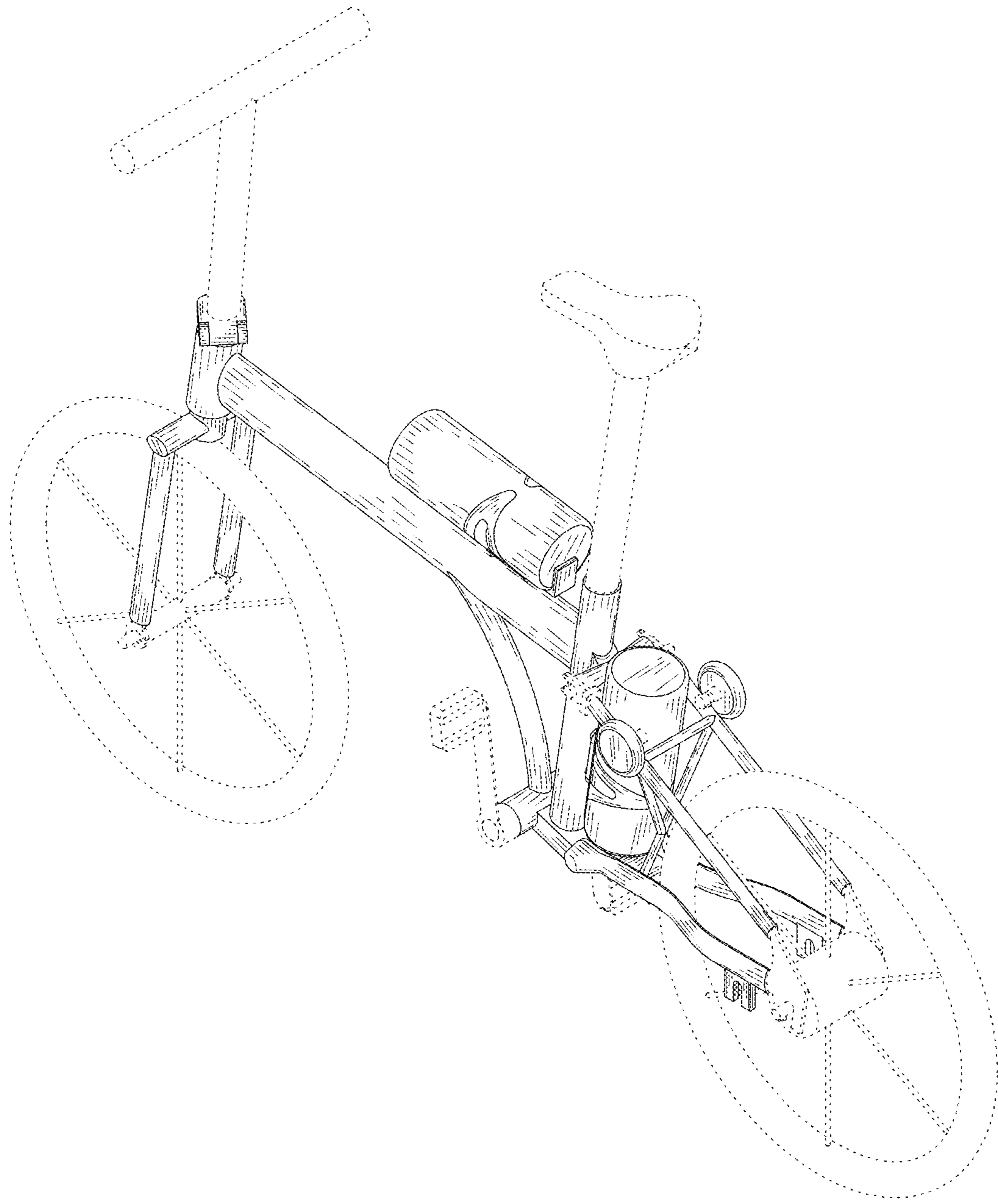


FIG. 3

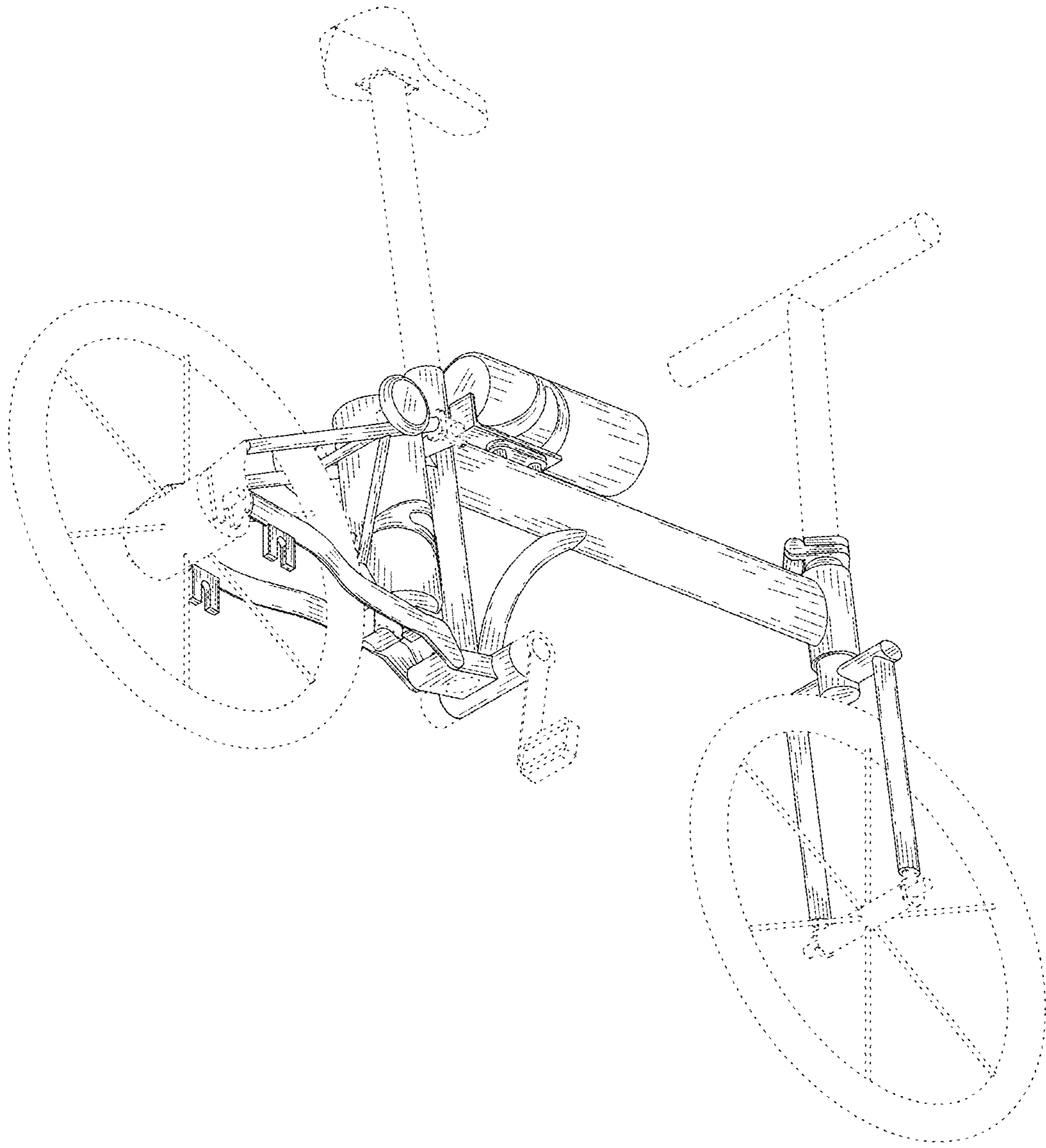


FIG. 4

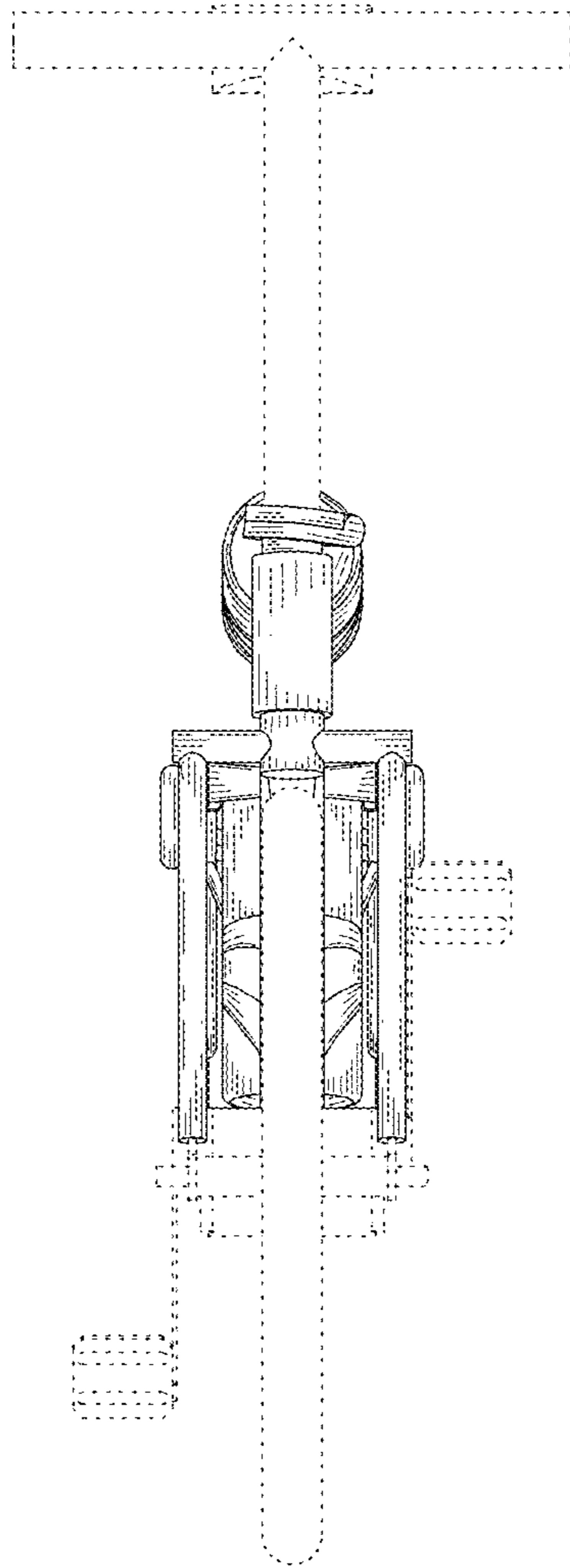


FIG. 5

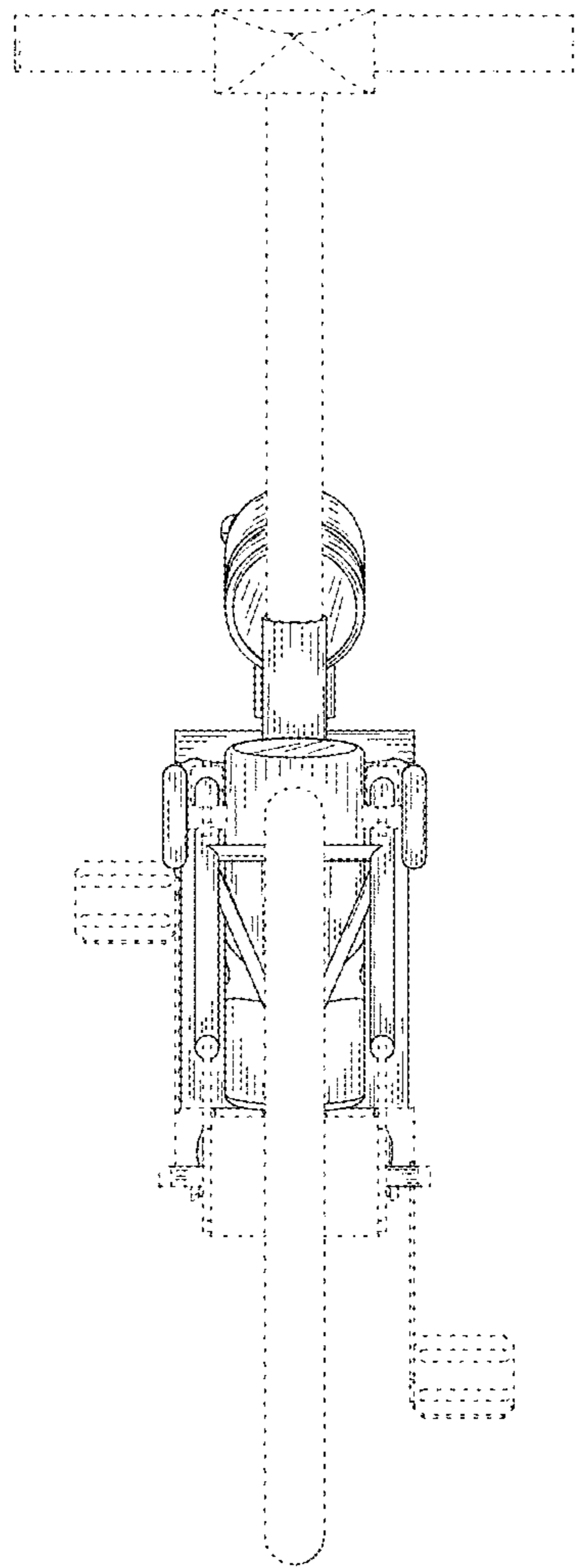


FIG. 6

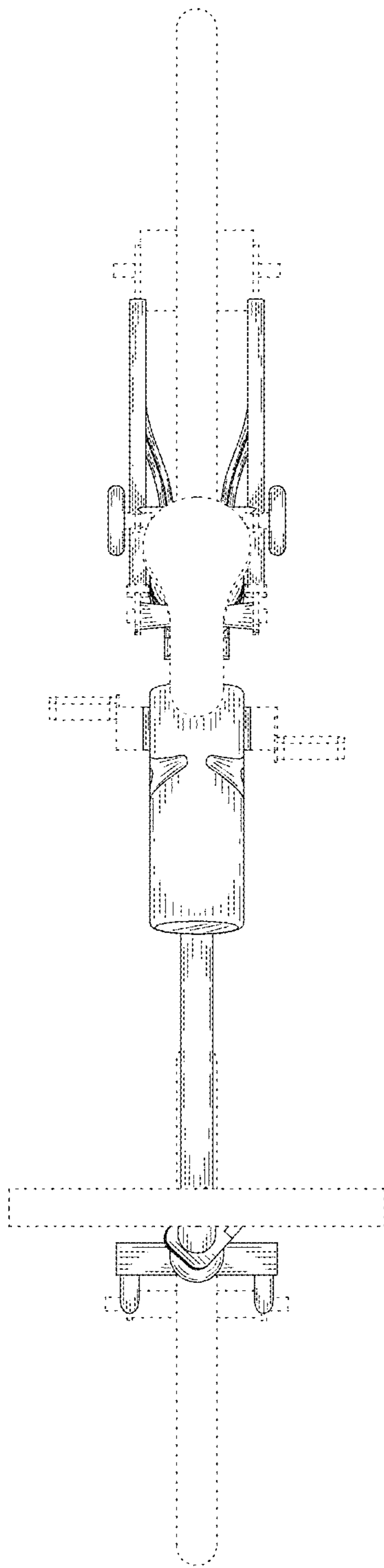


FIG. 7

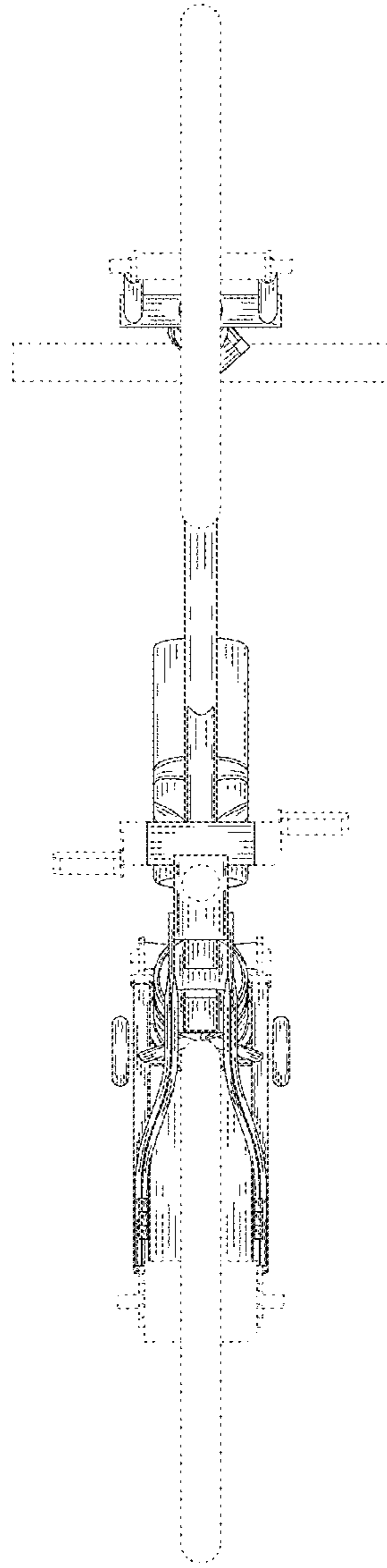


FIG. 8

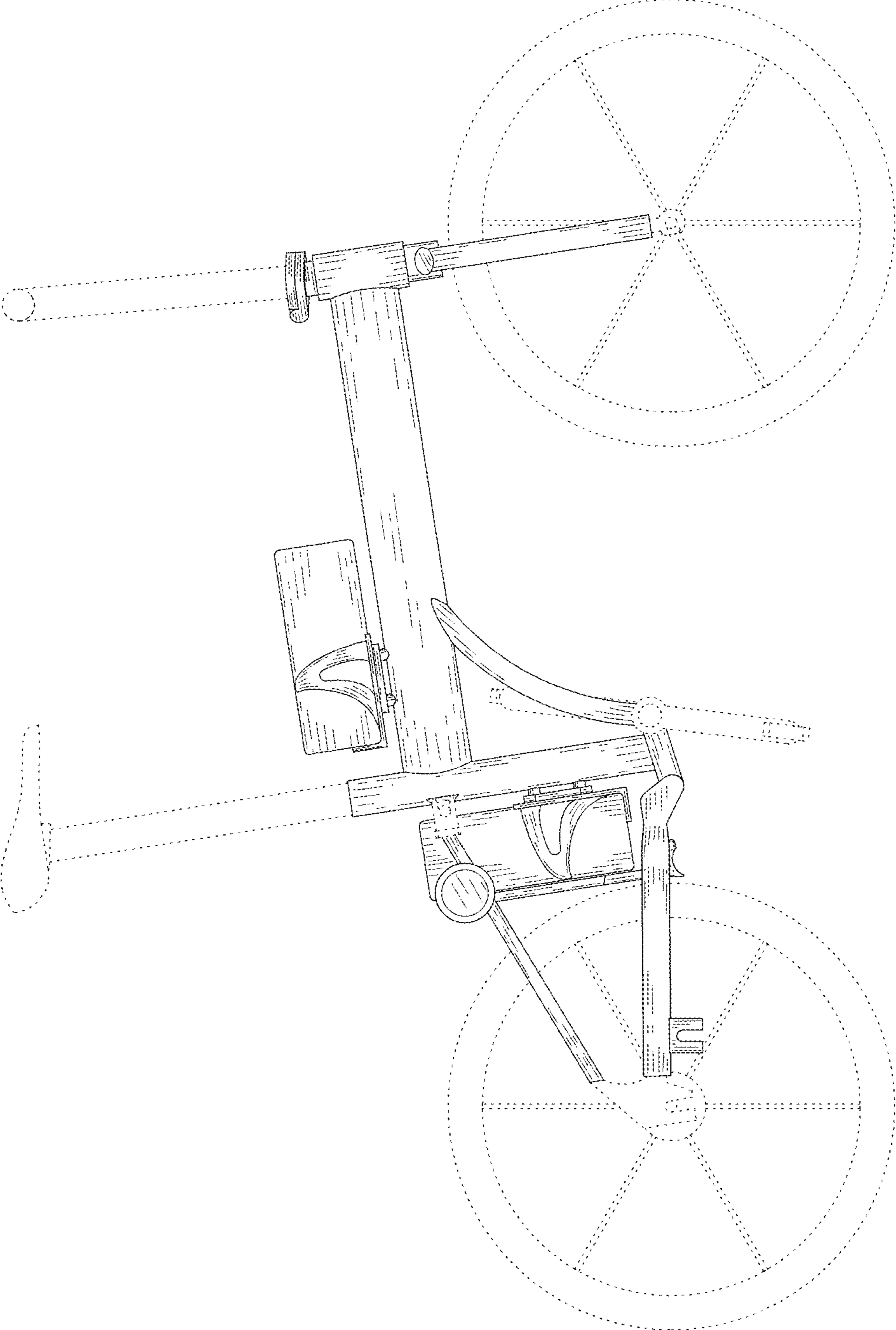


FIG. 9

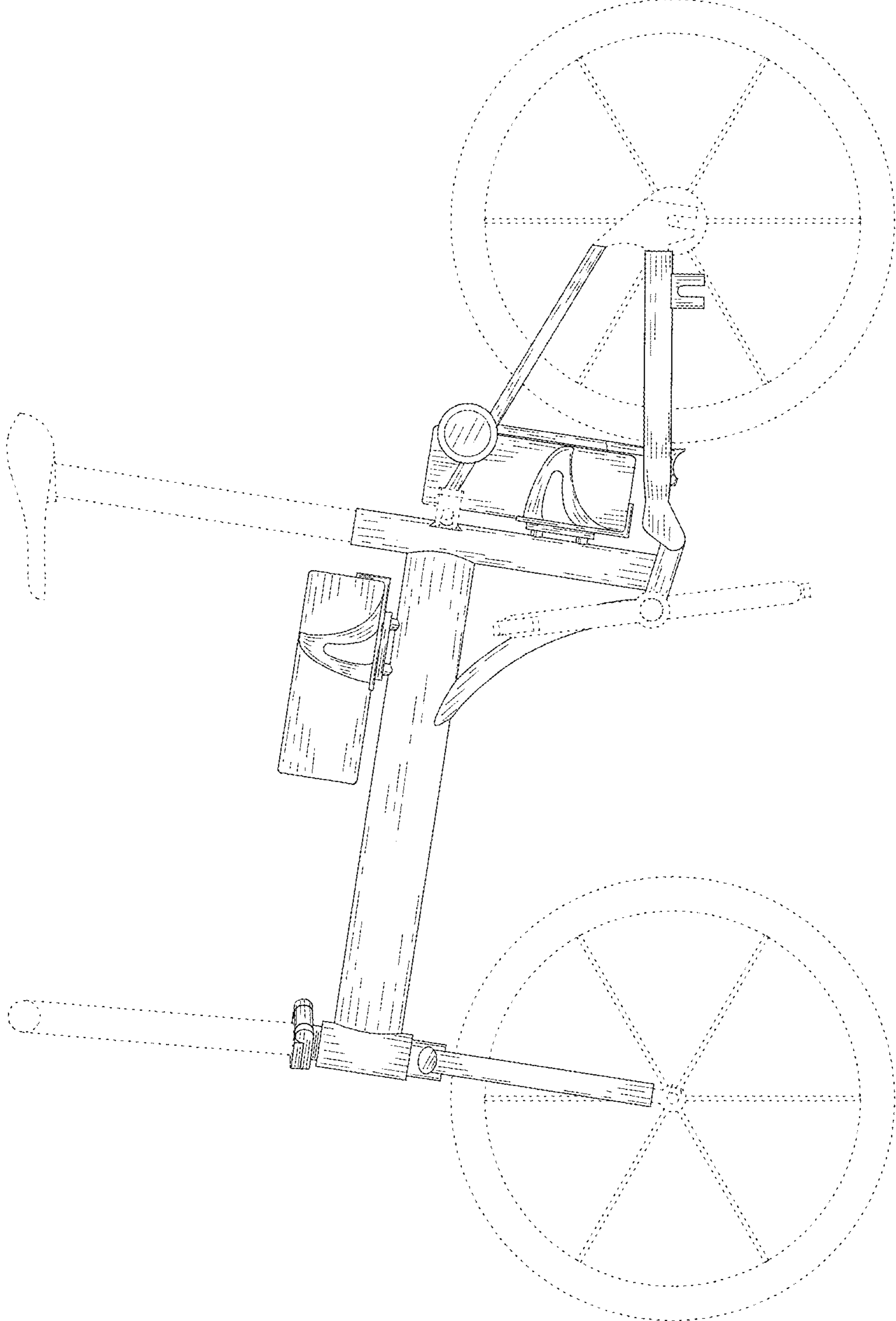


FIG. 10

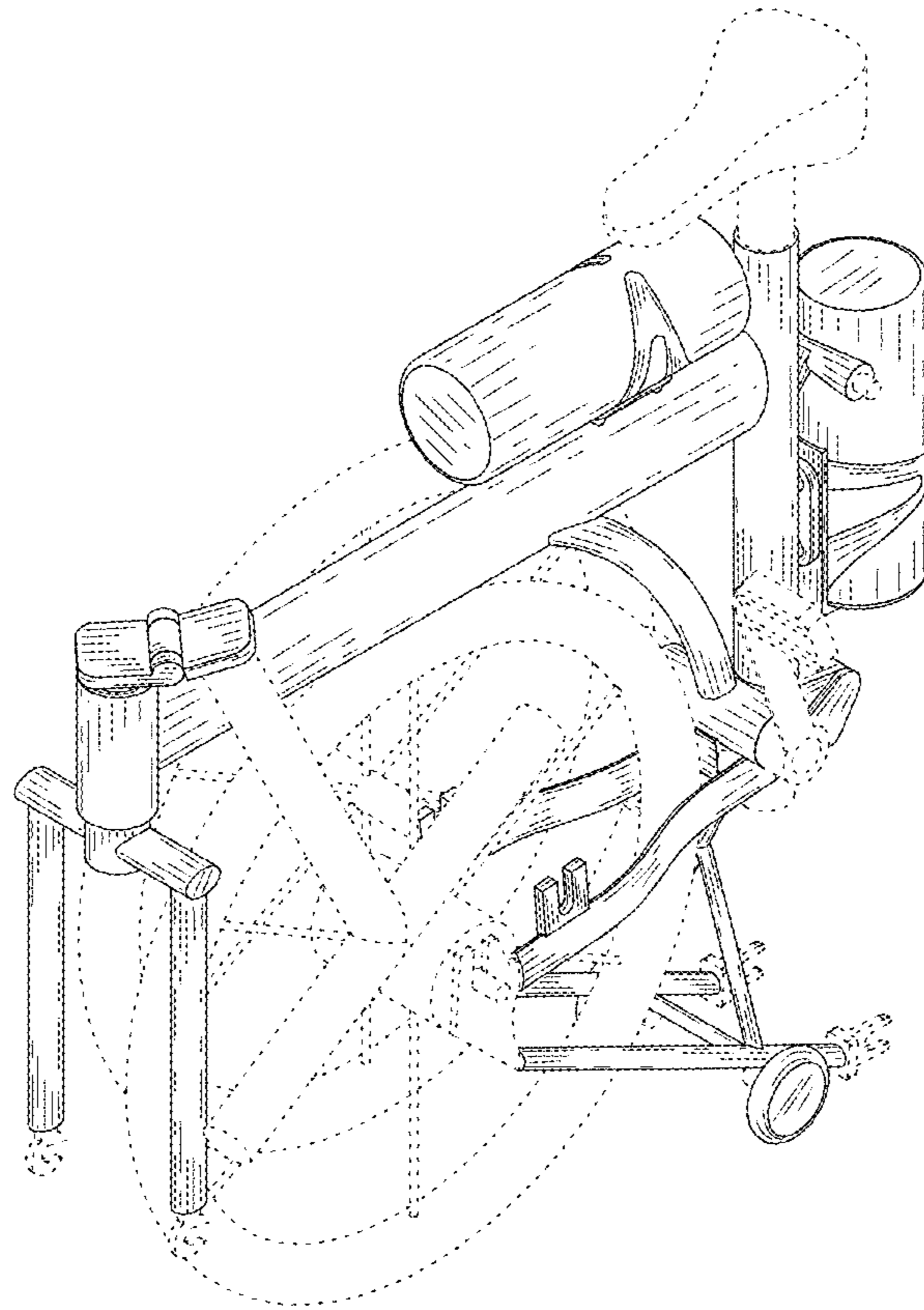


FIG. 11

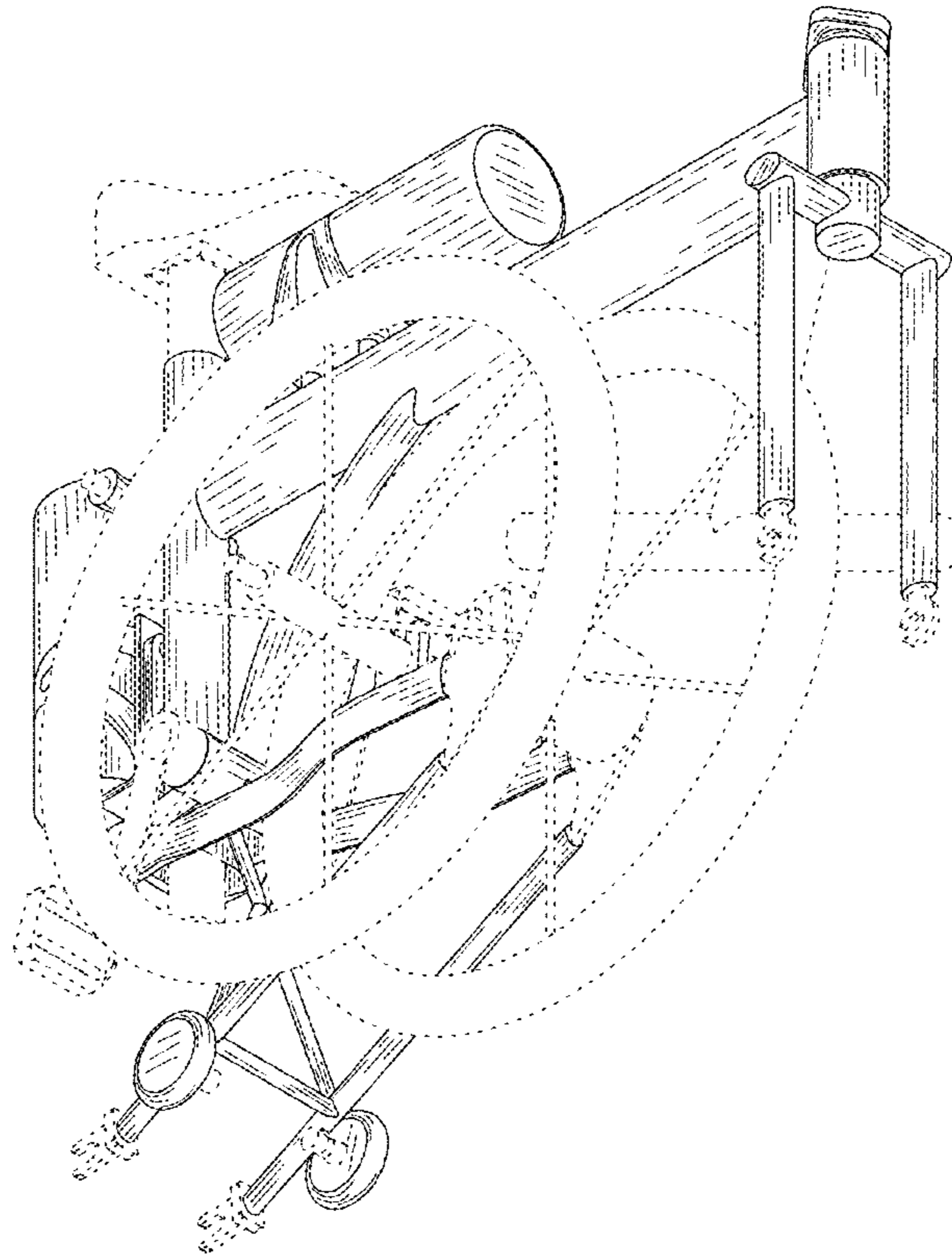


FIG. 12

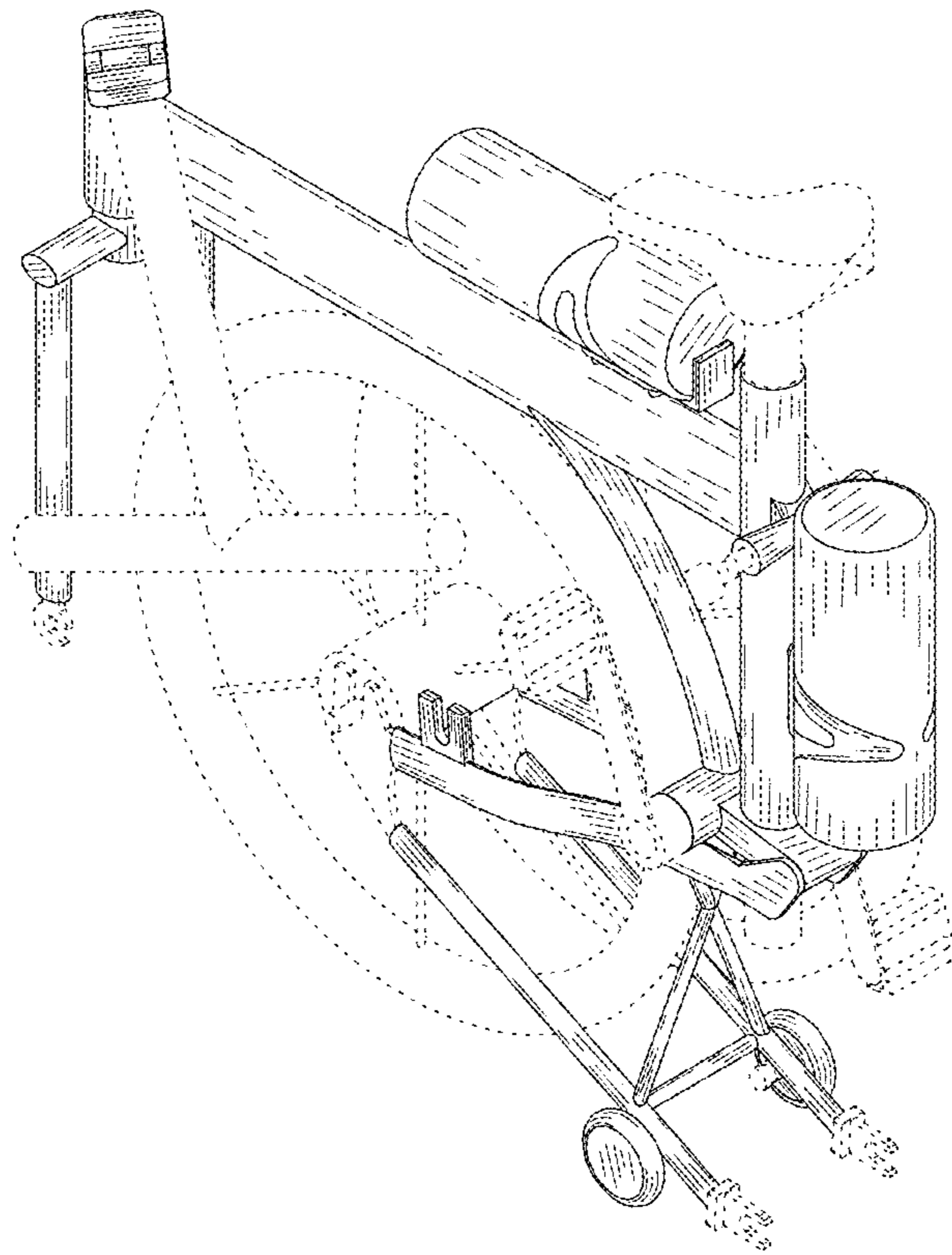


FIG. 13

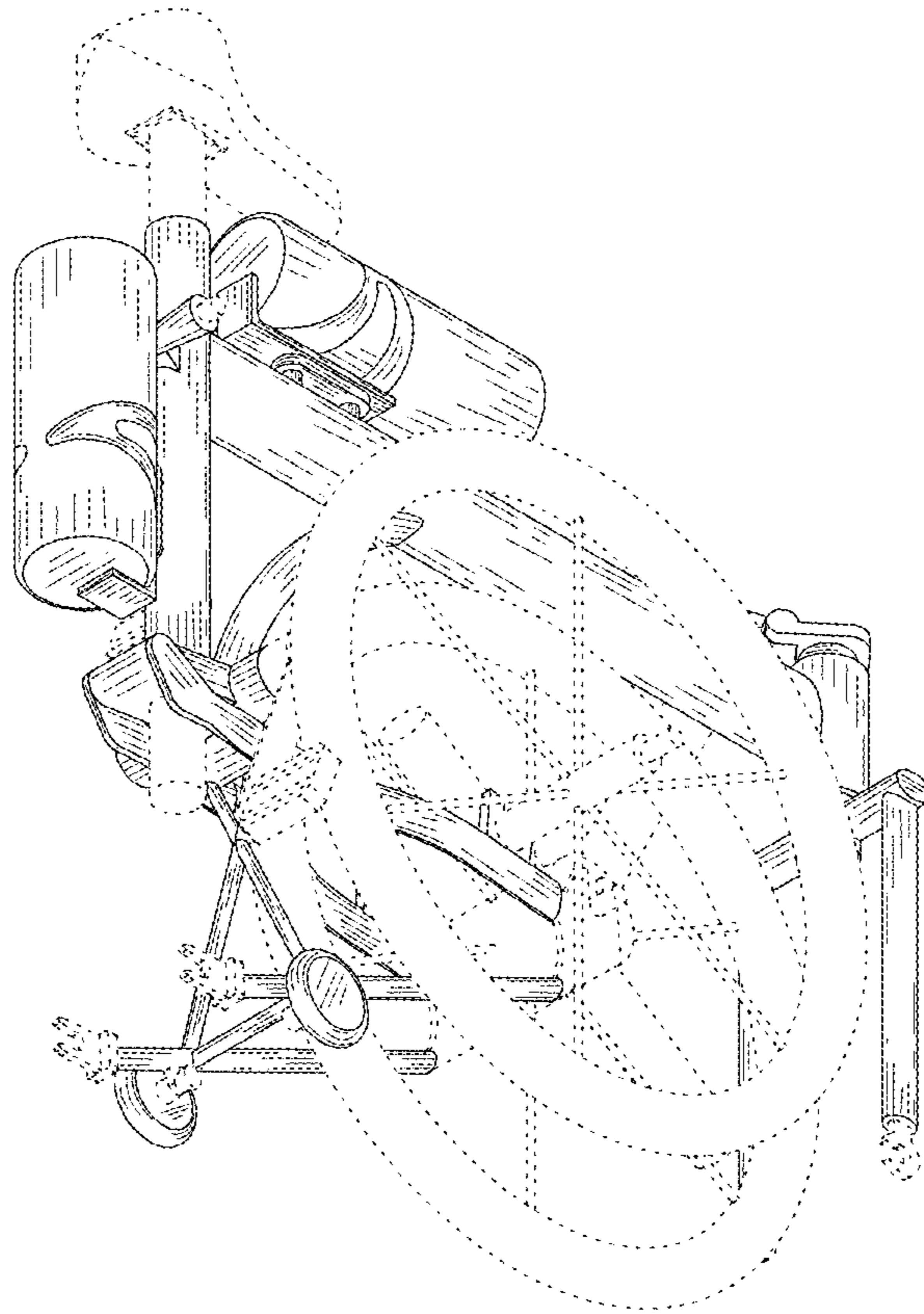


FIG. 14

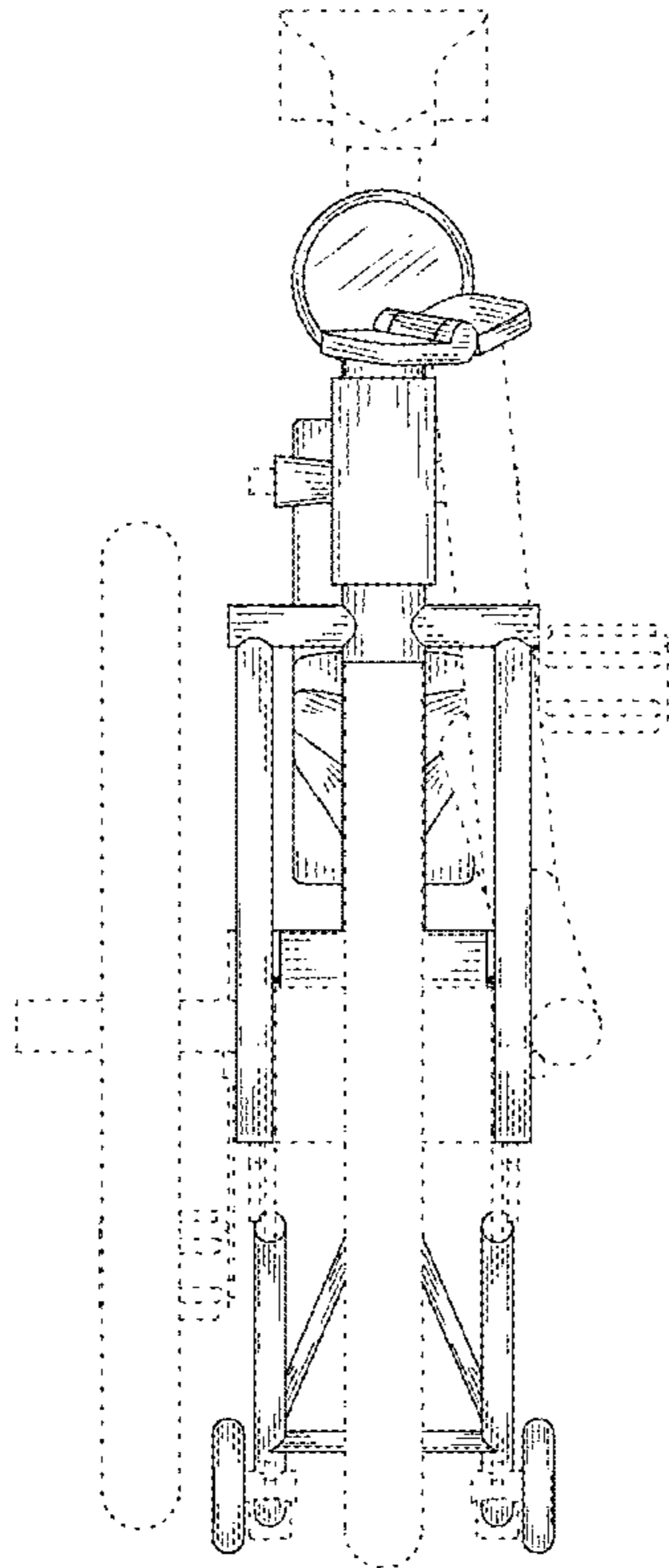


FIG. 15

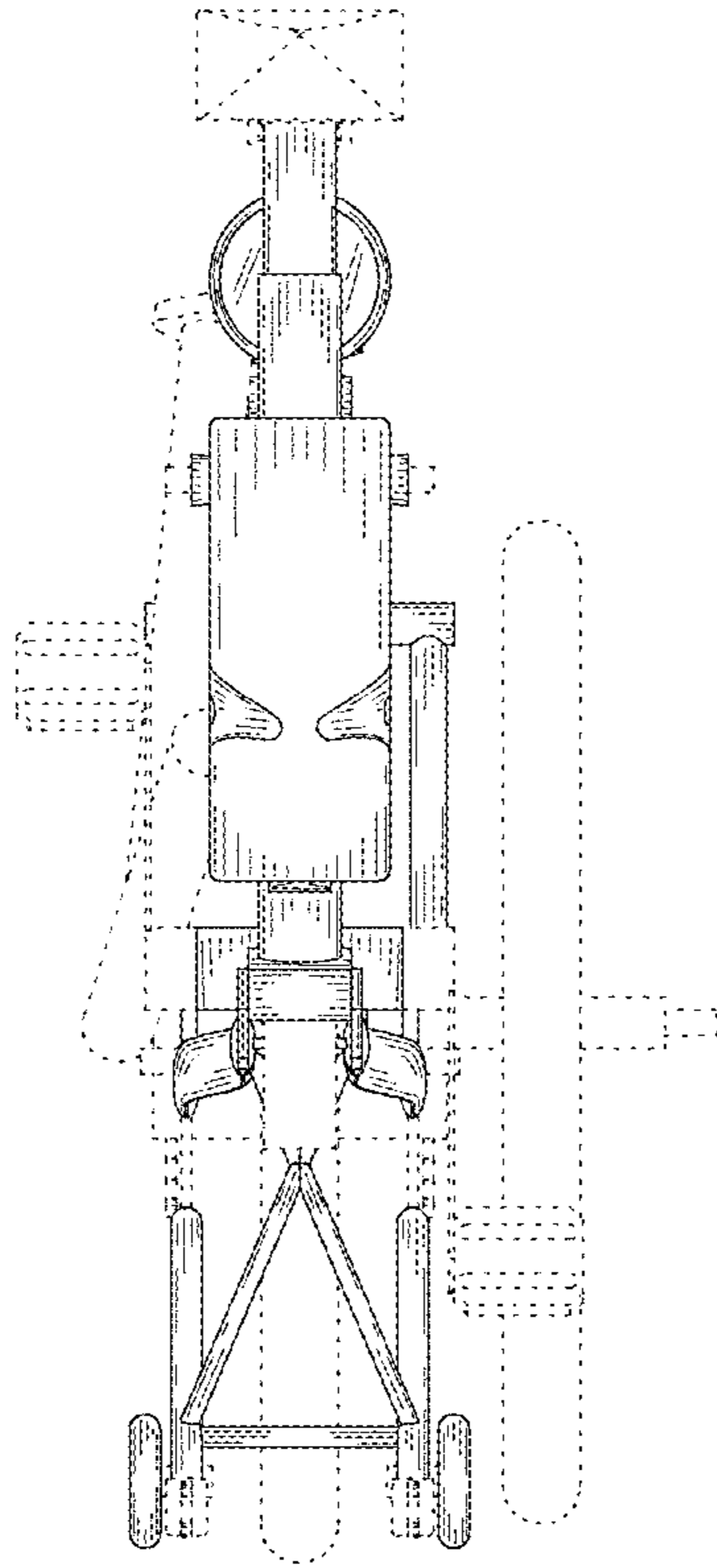


FIG. 16

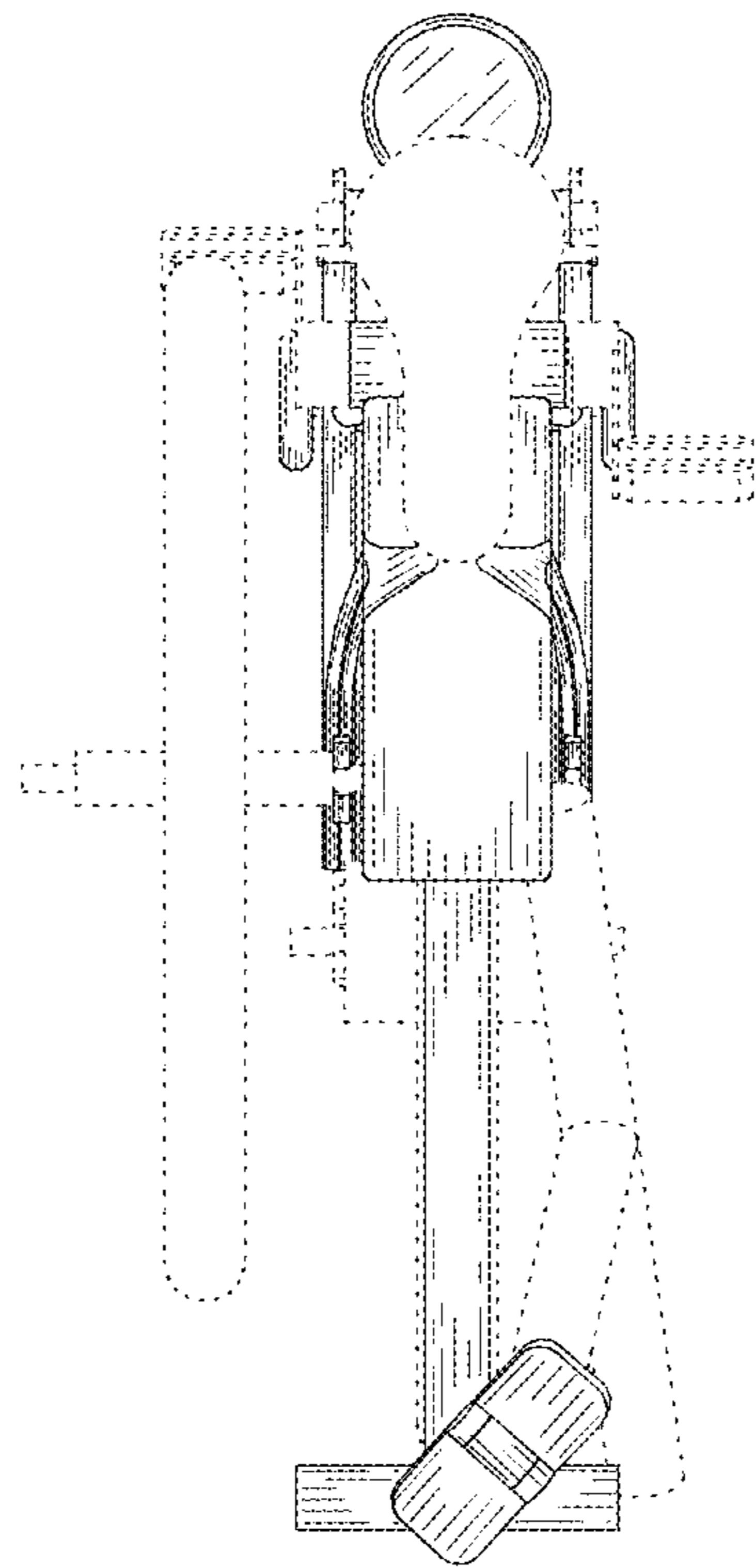


FIG. 17

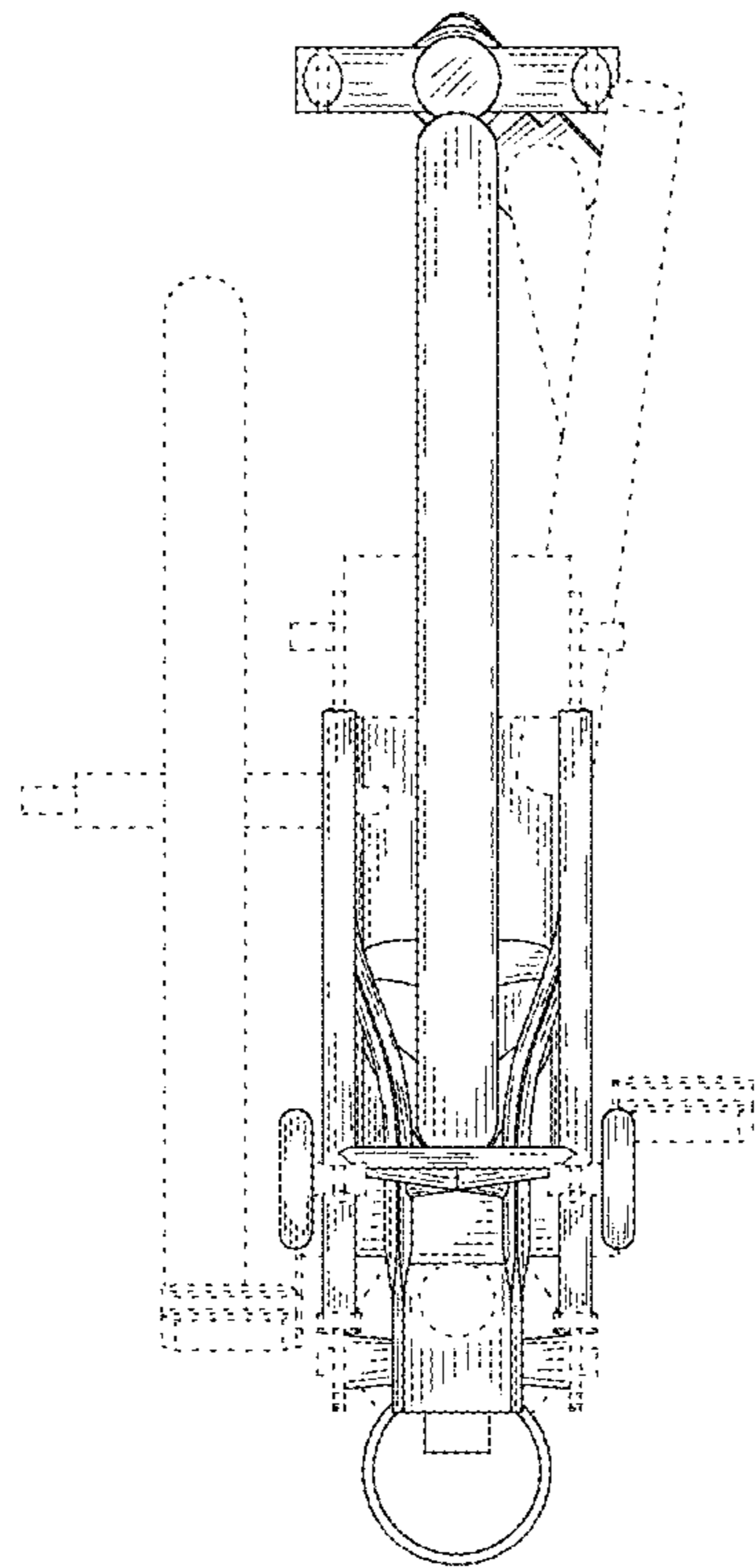


FIG. 18

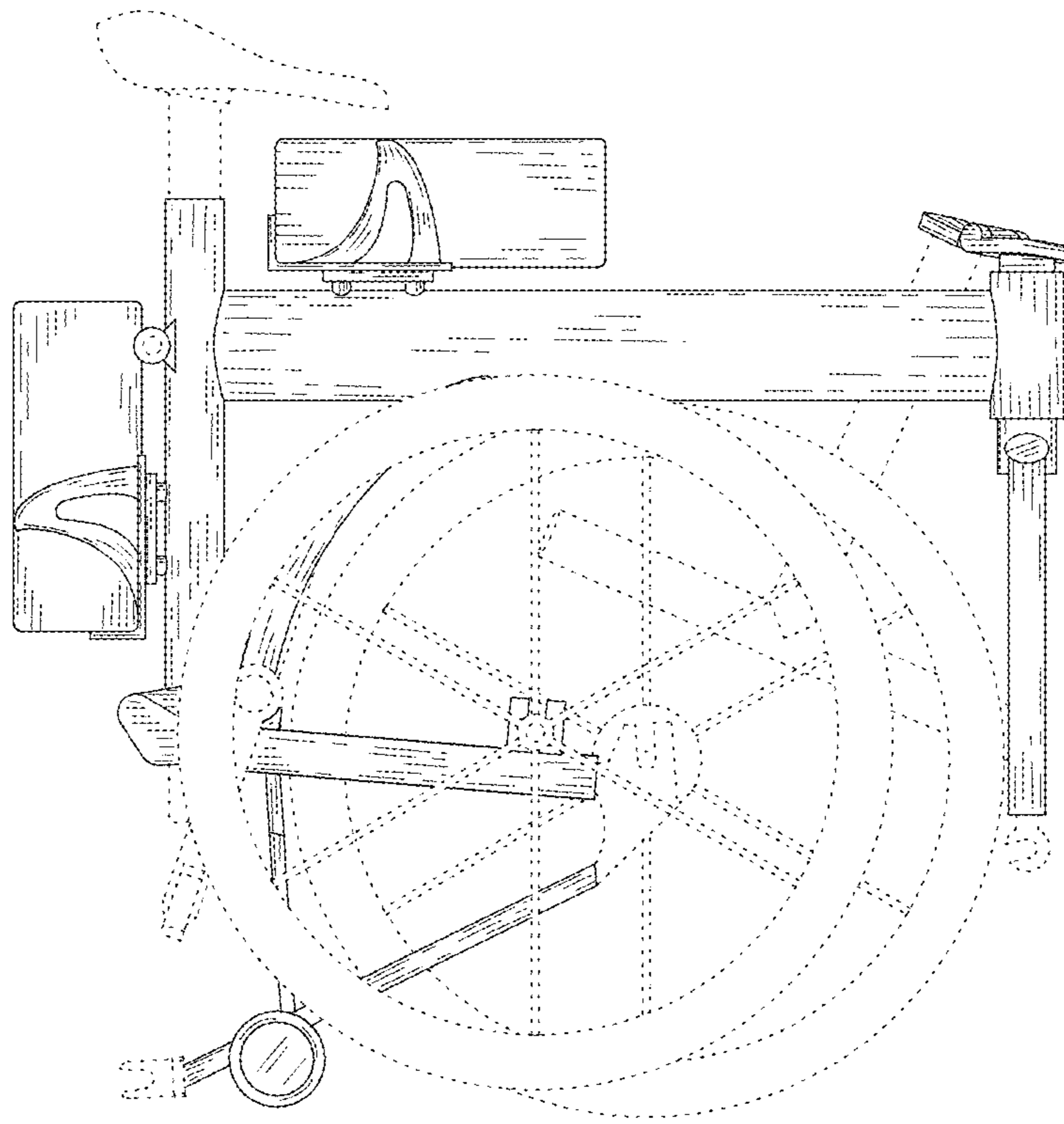


FIG. 19

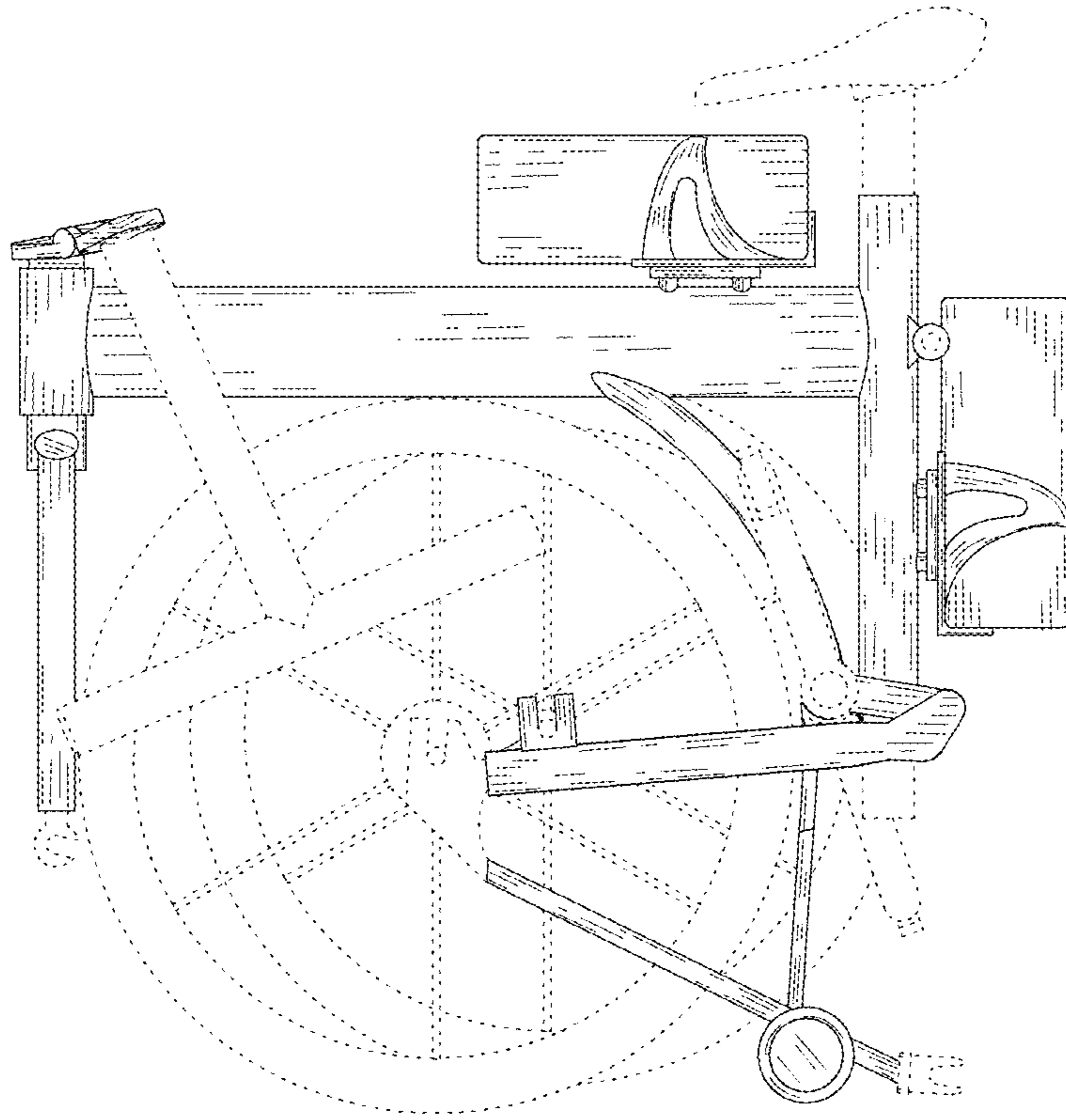


FIG. 20