



US00D897233S

(12) **United States Design Patent**
Nathan

(10) **Patent No.:** **US D897,233 S**

(45) **Date of Patent:** **** Sep. 29, 2020**

- (54) **DUAL RING JEWELRY SETTING**
- (71) Applicant: **Julia Maxine Nathan**, New York, NY (US)
- (72) Inventor: **Julia Maxine Nathan**, New York, NY (US)
- (73) Assignee: **Cursed Jewels, LLC**, New York, NY (US)

(**) Term: **15 Years**

(21) Appl. No.: **29/681,512**

(22) Filed: **Feb. 26, 2019**

(51) **LOC (12) Cl.** **11-01**

(52) **U.S. Cl.**
USPC **D11/91**

(58) **Field of Classification Search**
USPC D11/1, 26, 34, 40, 86, 90, 91, 92
CPC A44C 17/00; A44C 17/001; A44C 17/02;
A44C 17/0208; A44C 17/0241; A44C
17/0258; A44C 17/0283; A44C 17/04;
A44C 1/00; A44C 25/001; A44C 7/00;
A44C 7/001; A44C 9/00

See application file for complete search history.

(56) **References Cited**

U.S. PATENT DOCUMENTS

D36,619 S *	11/1903	Wittstein	D11/36
D36,622 S *	11/1903	Wittstein	D11/92
D37,576 S *	10/1905	Wodiska	D11/92
D196,135 S *	8/1963	Hazelquist	D11/92
3,653,227 A *	4/1972	Ricci	A44C 17/0216 63/29.1

D383,996 S *	9/1997	Bulgari	D11/26
D414,442 S *	9/1999	Canale	D11/92
D506,699 S *	6/2005	Aghjayan	D11/91
D601,919 S *	10/2009	Naifeh	D11/91
D716,686 S *	11/2014	Dobashi	D11/91
D727,786 S *	4/2015	Shlakman	D11/26
D760,108 S *	6/2016	Rosenberg-Pineau	D11/26
D850,972 S *	6/2019	Saito	D11/92
D851,538 S *	6/2019	Saito	D11/92
2003/0172673 A1 *	9/2003	Kimura	A44C 17/0275 63/29.1
2014/0075990 A1 *	3/2014	Botha	A44C 17/02 63/26

* cited by examiner

Primary Examiner — Llorelys Martinez

(74) *Attorney, Agent, or Firm* — Dunlap Bennett & Ludwig, PLLC; Brendan E. Squire

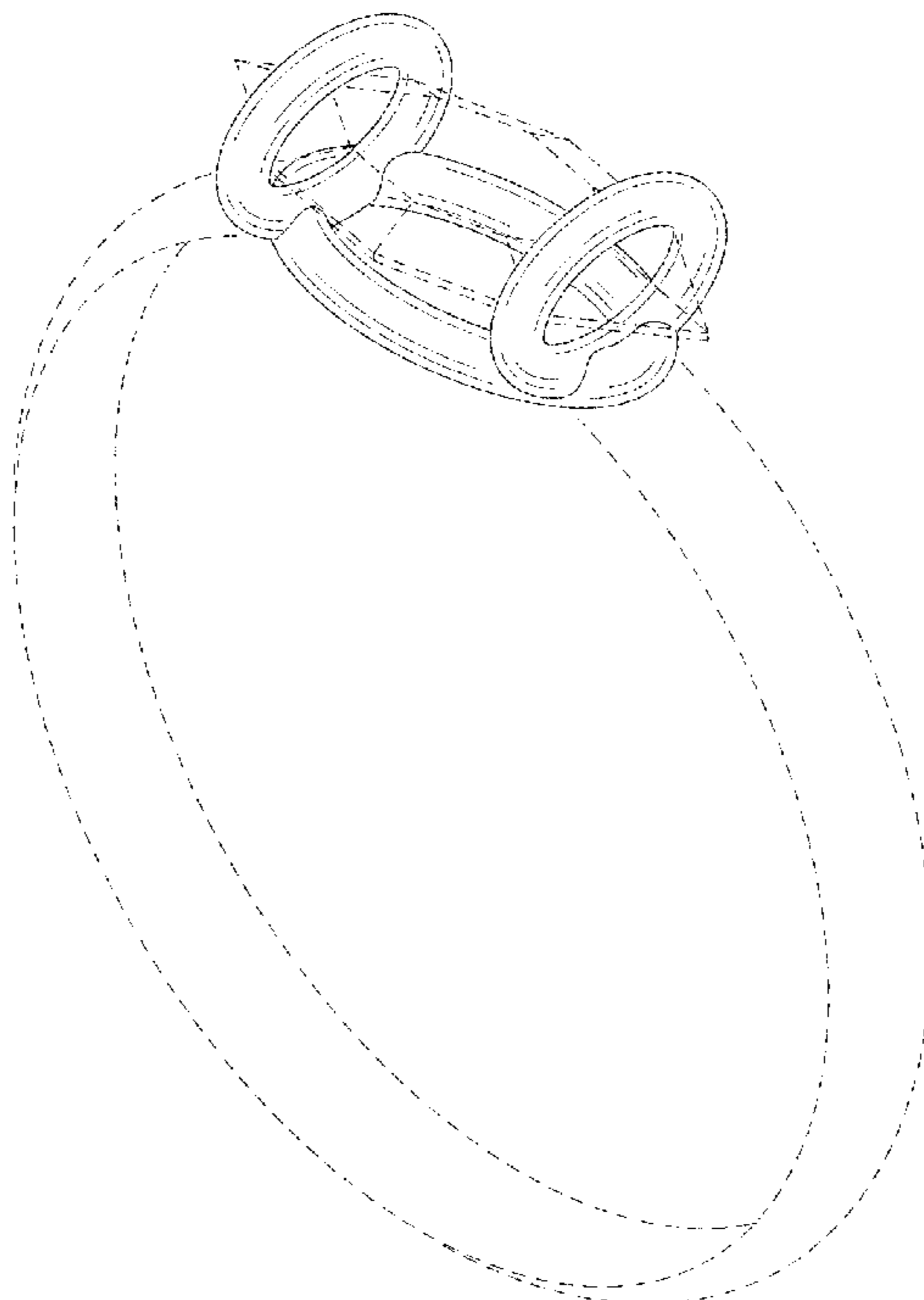
(57) **CLAIM**

The ornamental design for a dual ring jewelry setting, as shown and described.

DESCRIPTION

FIG. 1 is a top front perspective view of a dual ring jewelry setting;
 FIG. 2 is a front elevation view thereof, with the rear elevation view being a mirror image thereof;
 FIG. 3 is a right side view thereof, with the left side view being a mirror image thereof;
 FIG. 4 is a top elevation view thereof; and,
 FIG. 5 is a bottom elevation view thereof.
 The broken lines shown in the drawings represent environmental subject matter only and form no part of the claimed design.

1 Claim, 4 Drawing Sheets



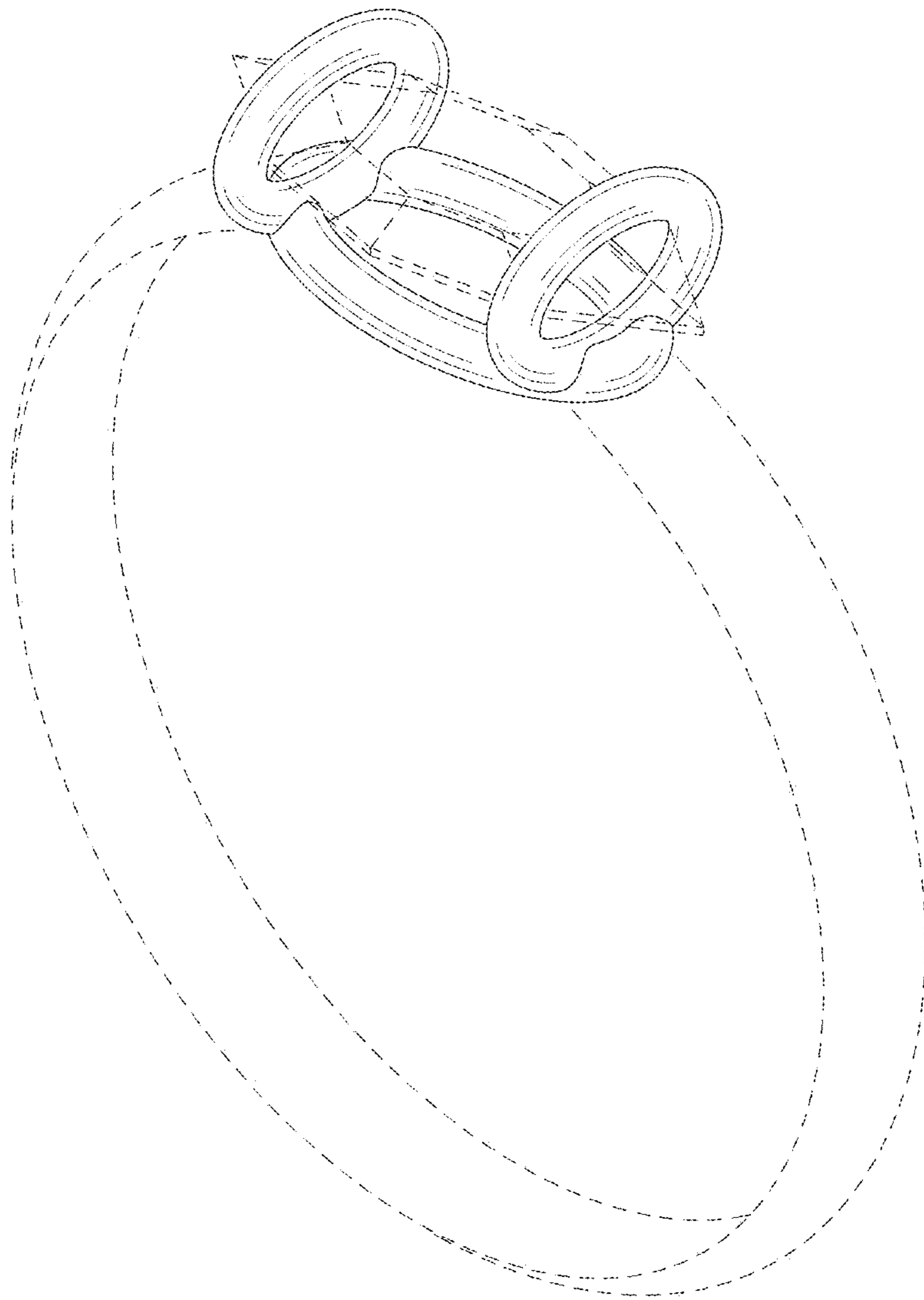


FIG. 1

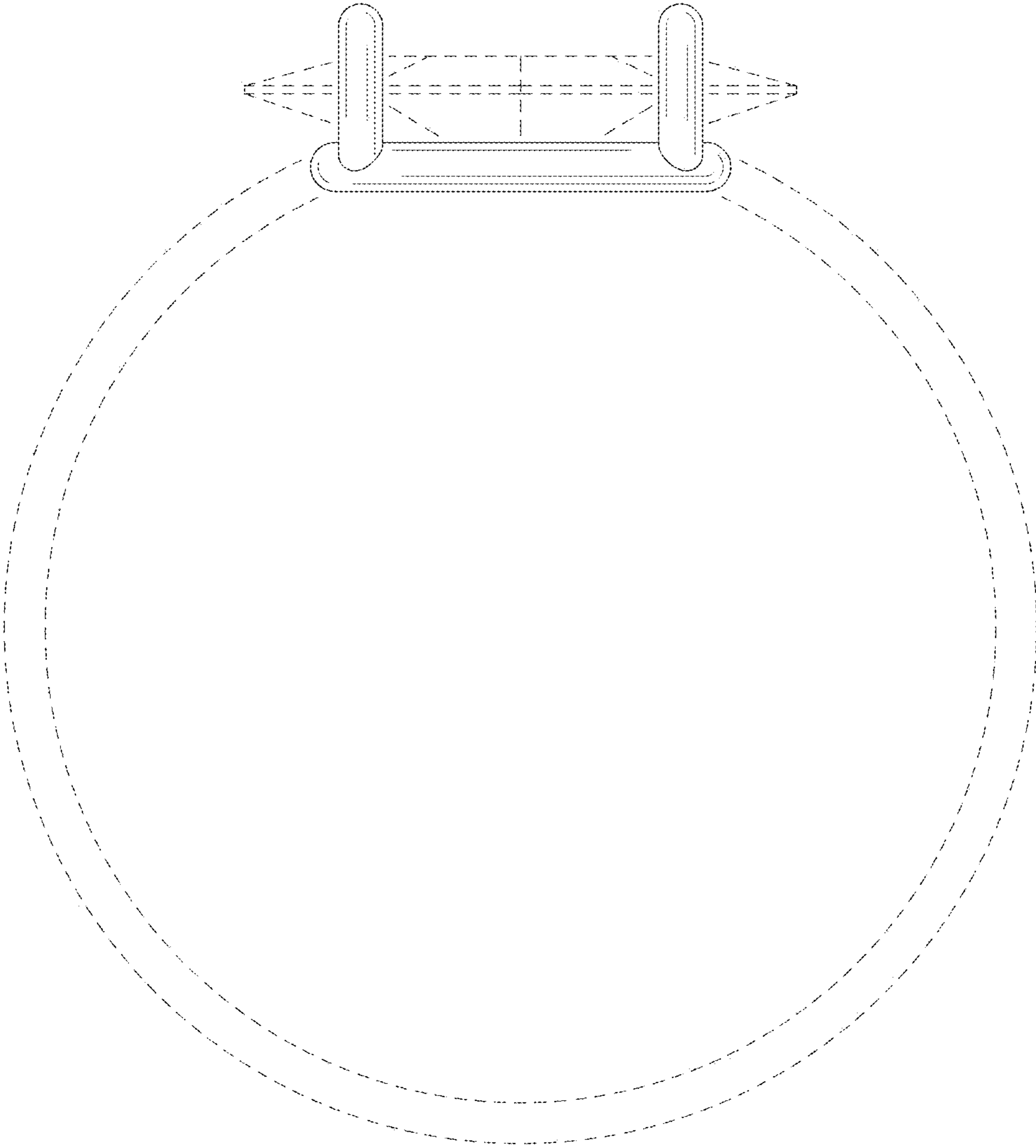


FIG.2

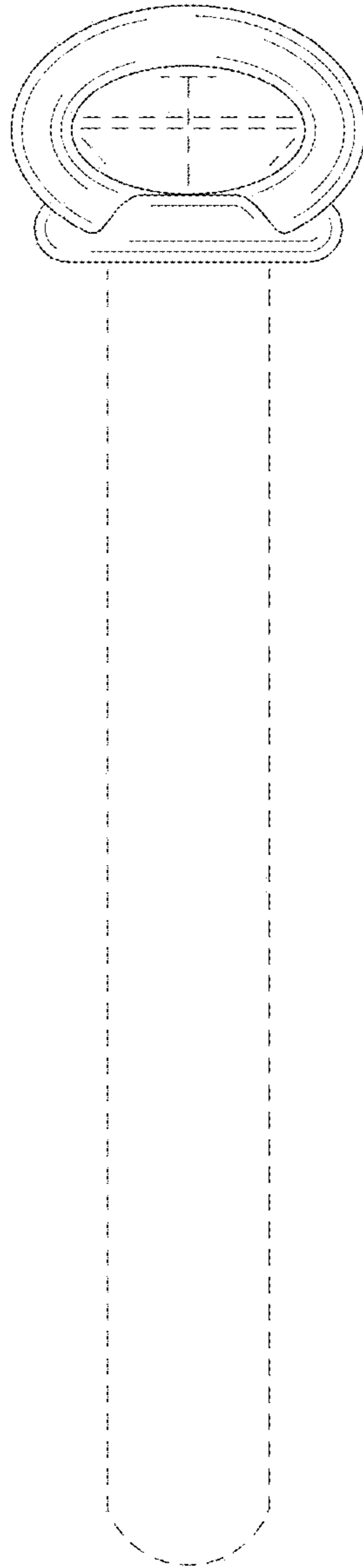


FIG. 3

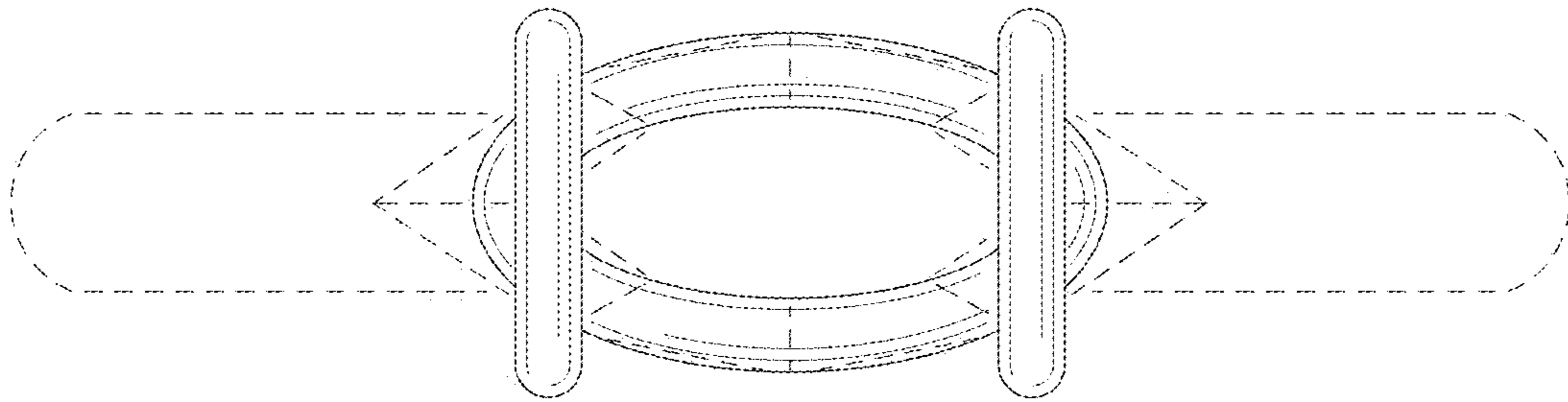


FIG. 4

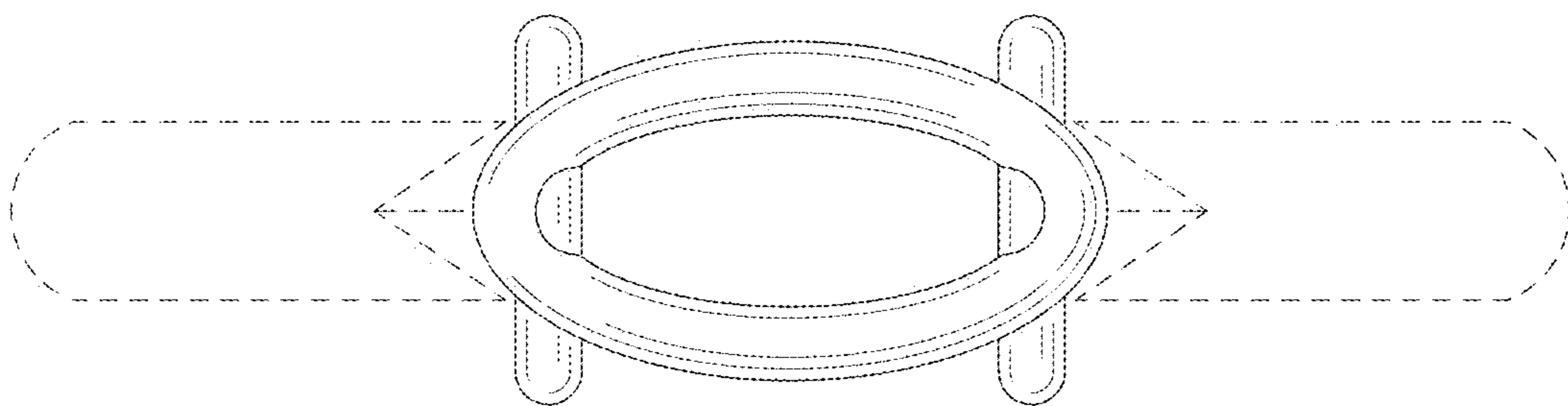


FIG. 5