



US00D897229S

(12) **United States Design Patent**
Valzan

(10) **Patent No.:** **US D897,229 S**

(45) **Date of Patent:** **** Sep. 29, 2020**

(54) **OSCILLATING WEIGHT**
(71) Applicant: **Harry Winston SA**, Plan-les-Ouates (CH)
(72) Inventor: **Sophie Valzan**, Geneva (CH)
(73) Assignee: **Harry Winston SA**, Plan-les-Ouates (CH)
(**) Term: **15 Years**

7,217,030 B2 * 5/2007 Papi G04B 5/165 368/150
D630,960 S * 1/2011 Vogeli D10/128
8,342,740 B2 * 1/2013 Beccia G04B 9/005 368/208
D725,530 S * 3/2015 Graff D10/128
9,104,179 B2 * 8/2015 Jamin G04B 5/165
9,256,205 B2 * 2/2016 Jamin G04B 5/16
D777,046 S * 1/2017 Abdourahim D10/30
D800,597 S * 10/2017 Dominguez D11/79
D805,421 S * 12/2017 Dominguez D11/86
D816,532 S * 5/2018 Monachon D10/129
D827,476 S * 9/2018 Blootacker D10/129
D828,206 S * 9/2018 Blootacker D10/129

(21) Appl. No.: **29/651,509**

* cited by examiner

(22) Filed: **Aug. 20, 2018**

Primary Examiner — Sandra S Snapp

Assistant Examiner — Katherine Glennon

(30) **Foreign Application Priority Data**

(74) *Attorney, Agent, or Firm* — Blank Rome LLP

Feb. 20, 2018 (WO) DM/100453

(51) **LOC (12) Cl.** **10-07**

(52) **U.S. Cl.**
USPC **D10/129**

(58) **Field of Classification Search**
USPC D10/30–39, 65, 70, 97–98, 99–102,
D10/122–124, 126–128, 128–129
CPC G04B 5/16; G04B 5/165; G04B 45/0038;
G04B 45/0046
See application file for complete search history.

(56) **References Cited**

U.S. PATENT DOCUMENTS

D480,979 S * 10/2003 Filiberti D10/128
D481,644 S * 11/2003 Filiberti D10/128

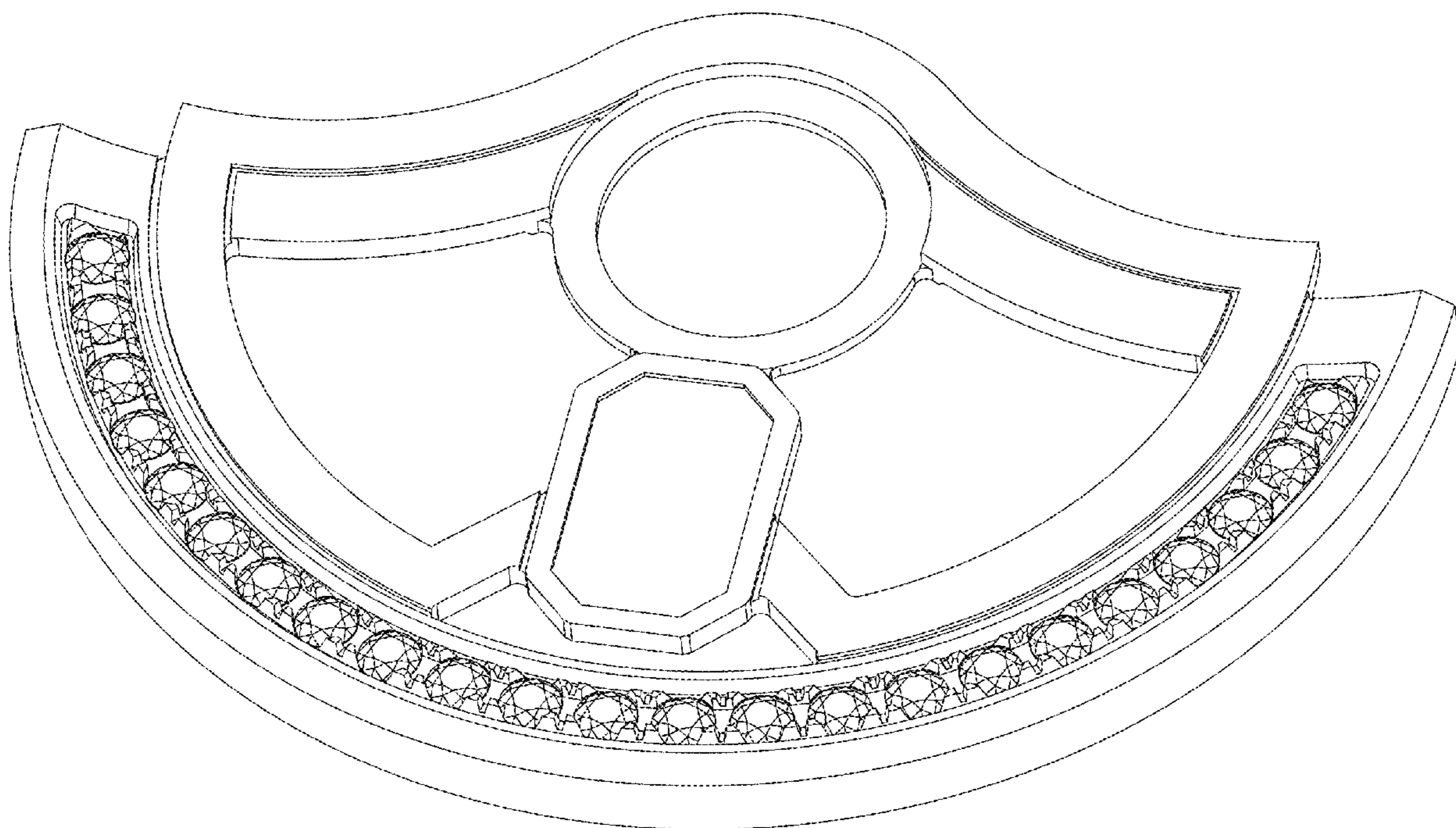
(57) **CLAIM**

The ornamental design for an oscillating weight, as shown and described.

DESCRIPTION

FIG. 1 is a front view of an oscillating weight of the present design;
FIG. 2 is a rear view thereof;
FIG. 3 is a right side view thereof;
FIG. 4 is a left side view thereof;
FIG. 5 is a top view thereof;
FIG. 6 is a bottom view thereof; and
FIG. 7 is a front perspective view thereof; and,
FIG. 8 is a rear perspective view thereof.

1 Claim, 8 Drawing Sheets



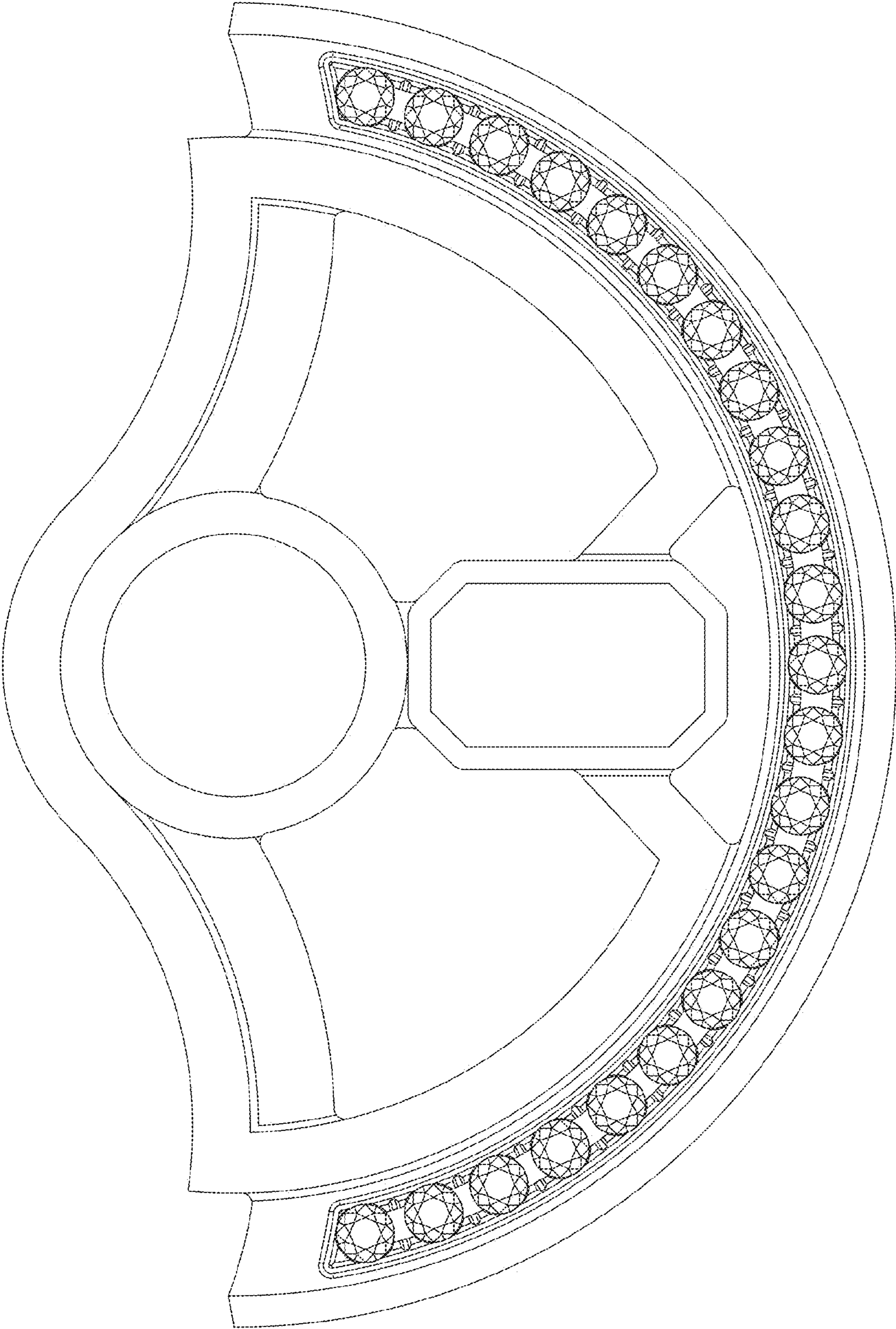


FIG. 1

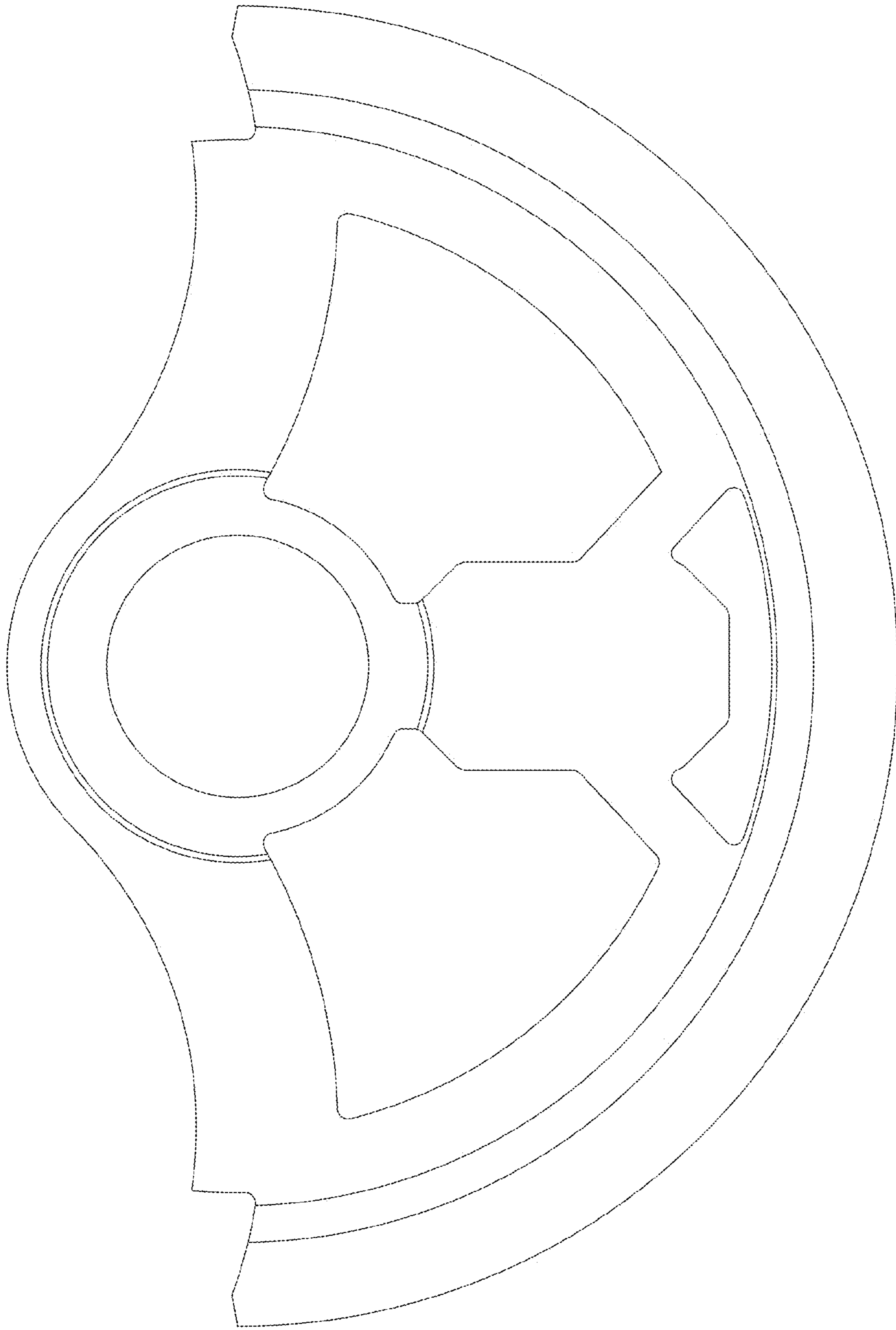


FIG. 2

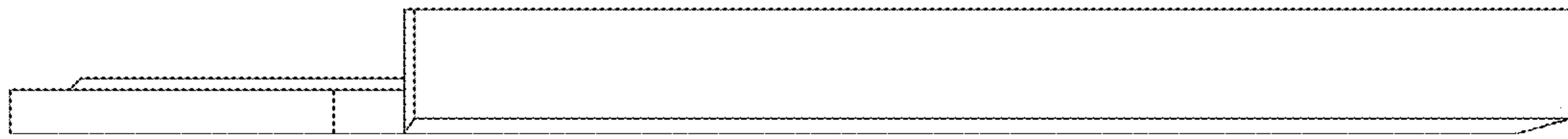


FIG. 3

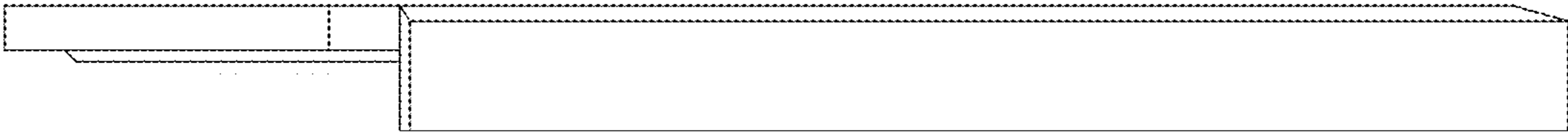


FIG. 4

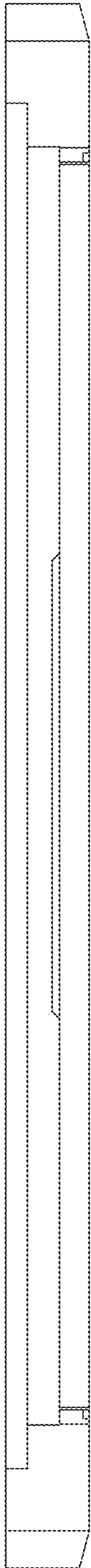


FIG. 5

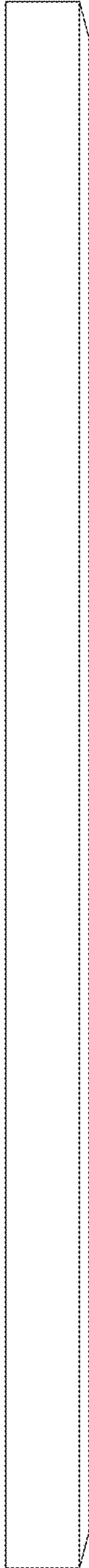


FIG. 6

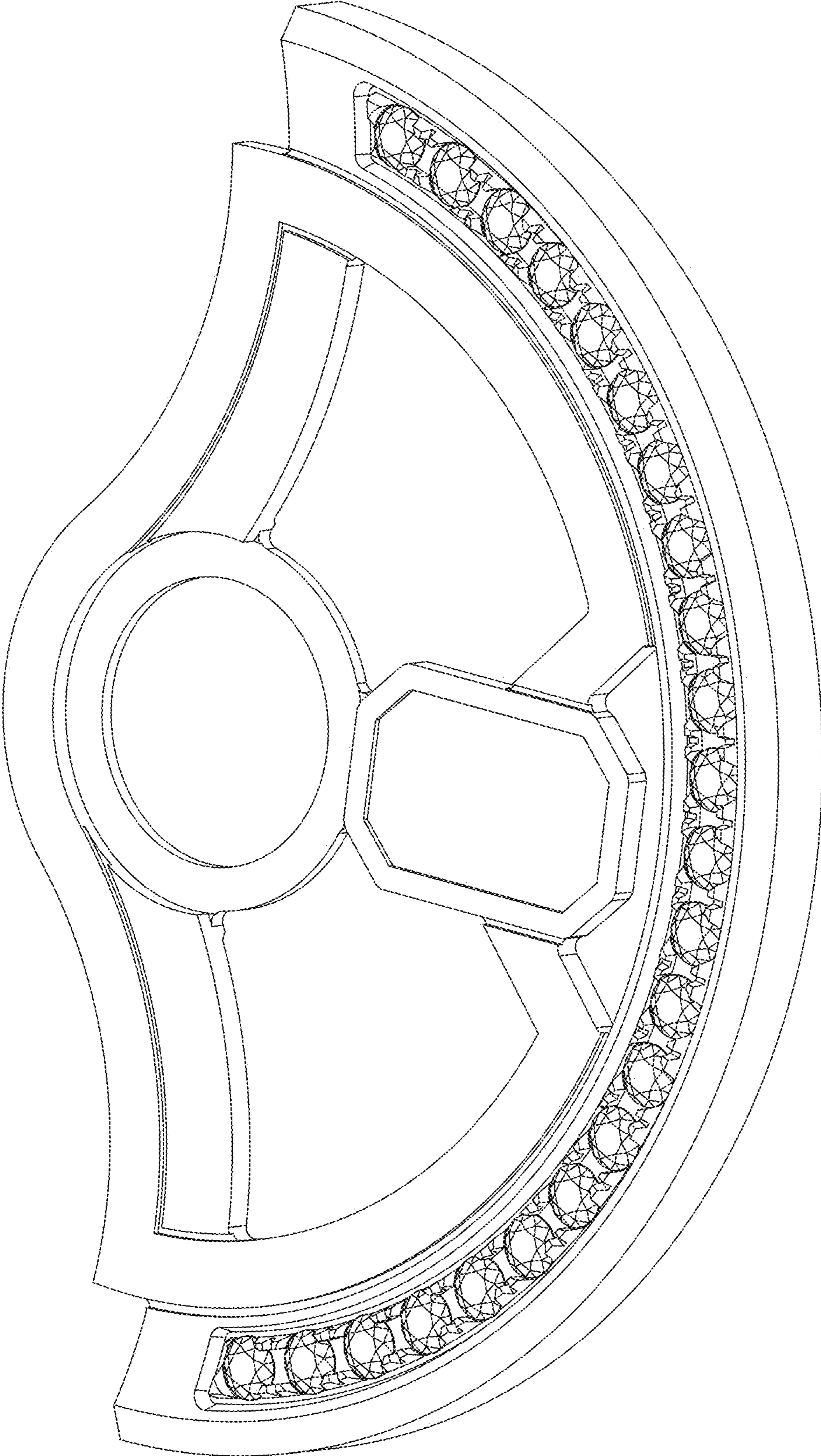


FIG. 7

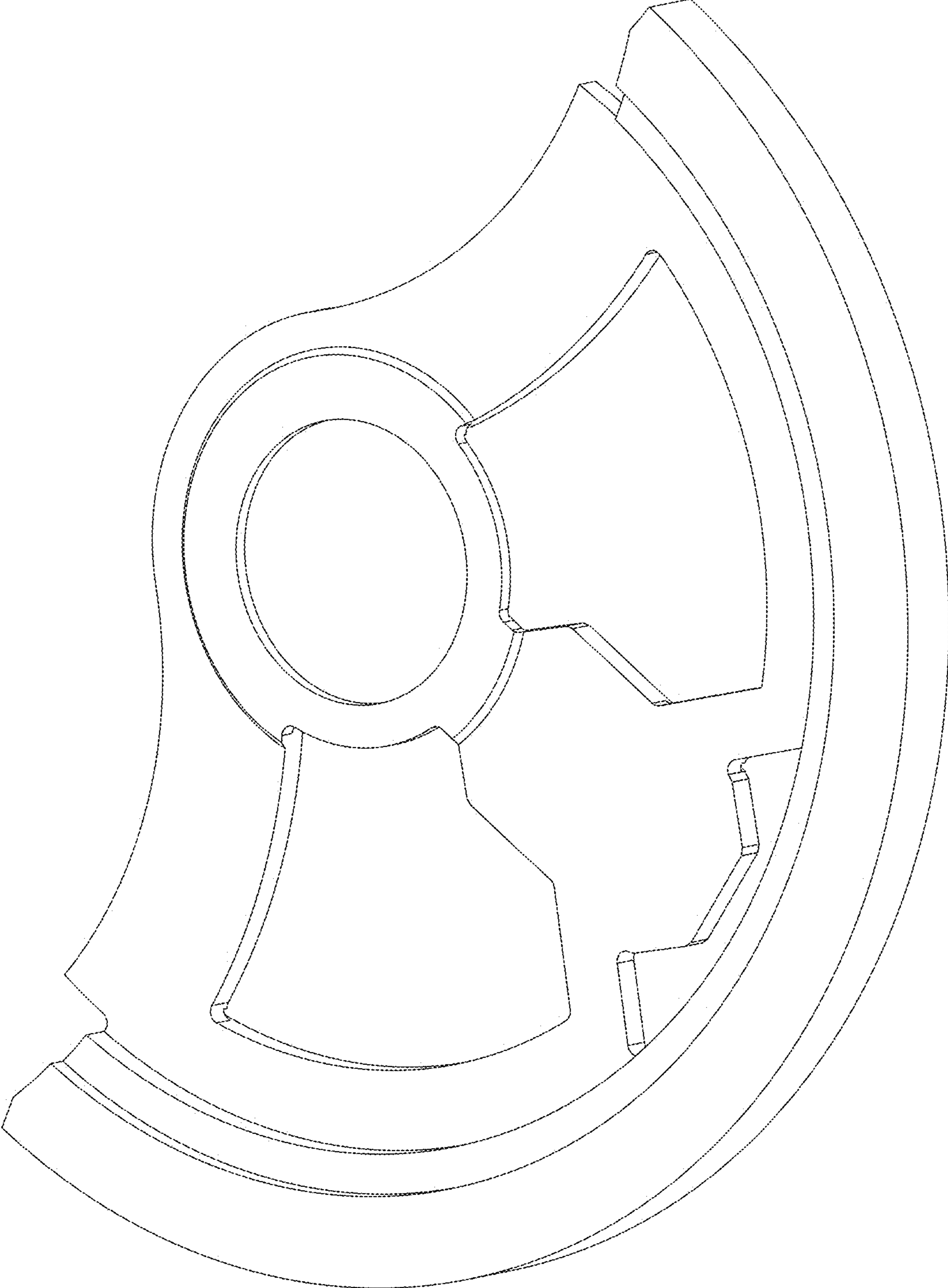


FIG. 8