



US00D897224S

(12) **United States Design Patent** (10) **Patent No.:** **US D897,224 S**
Bai (45) **Date of Patent:** **** Sep. 29, 2020**

(54) **ROTARY TIMER**

(71) Applicant: **SHENZHEN YUANGUANGHAO ELECTRONICS CO., LTD**, Shenzhen (CN)

(72) Inventor: **Hui Jian Bai**, Shenzhen (CN)

(73) Assignee: **SHENZHEN YUANGUANGHAO ELECTRONICS CO., LTD**, Shenzhen (CN)

(**) Term: **15 Years**

(21) Appl. No.: **29/715,514**

(22) Filed: **Dec. 3, 2019**

(51) **LOC (12) Cl.** **10-03**

(52) **U.S. Cl.**
USPC **D10/41**

(58) **Field of Classification Search**
USPC D10/1-2, 5, 10, 14-15, 21, 40-41;
D14/170-172

CPC . G04F 7/06; G04F 7/062; G04F 7/065; G04F 7/067; G04F 8/00; G04F 8/006

See application file for complete search history.

(56) **References Cited**

U.S. PATENT DOCUMENTS

3,691,757	A *	9/1972	Merino	G04B 47/003 368/103
D245,320	S *	8/1977	Mox	D10/40
D245,582	S	8/1977	Mox		
4,122,663	A *	10/1978	Kock	G04F 7/062 368/112
D251,058	S *	2/1979	Danz	D10/40
D347,584	S *	6/1994	Vogelpohl	D10/49
D368,861	S *	4/1996	Ip	D10/15
D376,108	S *	12/1996	Joergensen	D10/40
D379,767	S *	6/1997	Rowley	D10/15
D461,139	S *	8/2002	Hawley	D10/126

D556,606	S *	12/2007	Stauffer	D10/15
D564,913	S *	3/2008	Smith-Kielland	D10/40
D592,532	S *	5/2009	Corcoran	D10/40
D686,093	S *	7/2013	Wright	D10/40
D699,596	S *	2/2014	Hu	D10/40
D718,234	S *	11/2014	Rautiainen	D13/108

(Continued)

OTHER PUBLICATIONS

U—OVEKI Magnetic Countdown Digital Timer | first listed amazon.com Jul. 2019; photo review Nov. 2019 by P. Towns [online]. © 1996-2020, Amazon.com, Inc [retrieved Feb. 14, 2020] from Internet: <<https://www.amazon.com/OVEKI-Countdown-Timer%EF%BC%8CLED-Operation-classroom/dp/B07VNWZCZH?th=1>> (Year: 2019).*

(Continued)

Primary Examiner — Sandra S Snapp
Assistant Examiner — Katherine Glennon

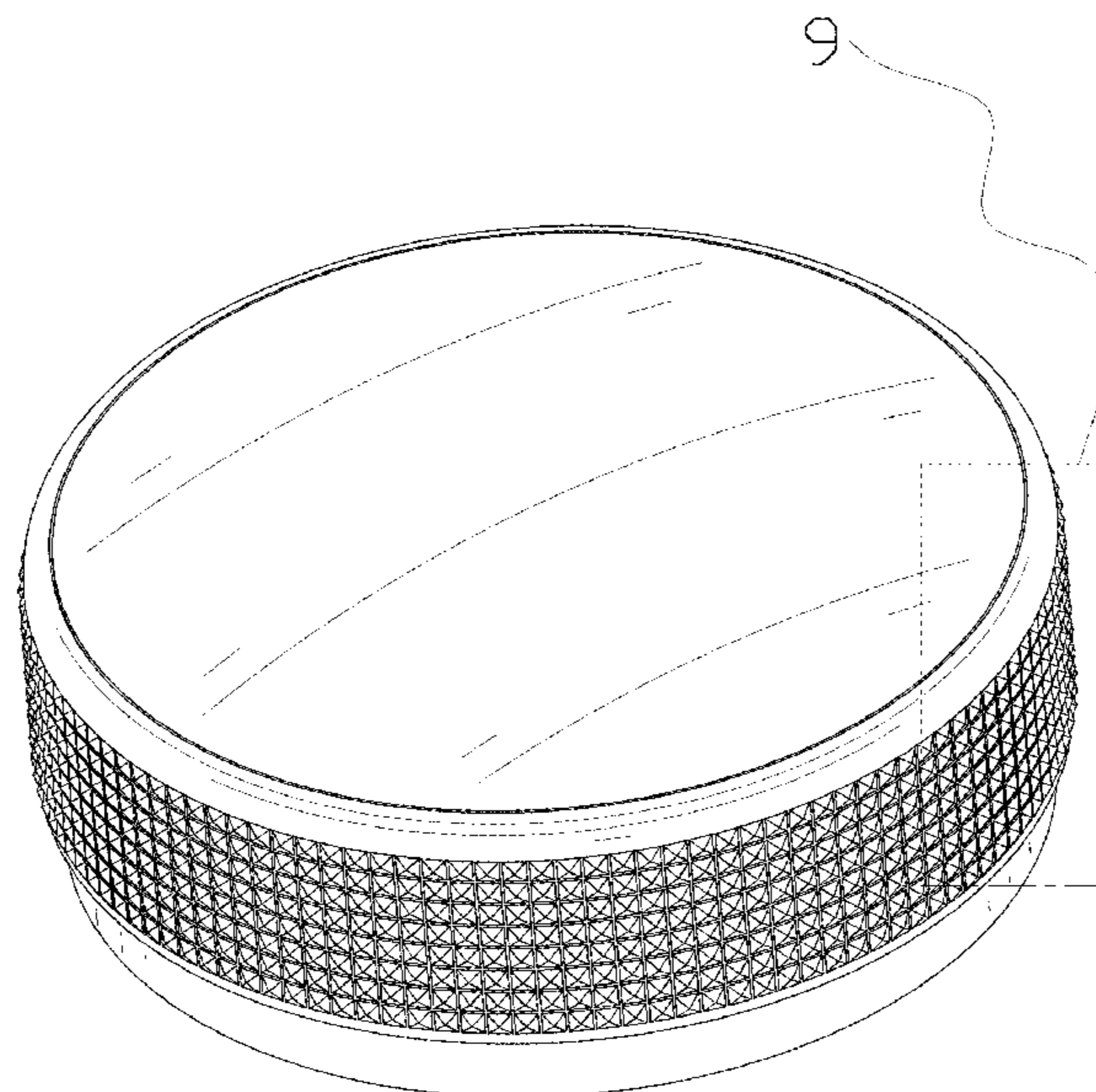
(57) **CLAIM**

The ornamental design for a rotary timer, as shown and described.

DESCRIPTION

FIG. 1 is a perspective view of a rotary timer showing my new design;
FIG. 2 is another perspective view thereof;
FIG. 3 is a front elevational view thereof;
FIG. 4 is a rear elevational view thereof;
FIG. 5 is a left side elevational view thereof;
FIG. 6 is a right side elevational view thereof;
FIG. 7 is a top plan view thereof;
FIG. 8 is a bottom plan view thereof;
FIG. 9 is an enlarged view of portion 9 shown in FIG. 1; and,
FIG. 10 is an enlarged view of portion 10 shown in FIG. 3.
The broken lines in the drawings depict portions of the rotary timer that form no part of the claimed design.

1 Claim, 10 Drawing Sheets



(56)

References Cited

U.S. PATENT DOCUMENTS

D726,161 S * 4/2015 Howard D14/218
 D752,588 S * 3/2016 Li D14/385
 D770,430 S * 11/2016 Lee D14/240
 D783,422 S * 4/2017 Kashimoto D10/50
 D786,723 S * 5/2017 Christie D10/96
 D804,306 S * 12/2017 Simons D9/454
 D820,238 S * 6/2018 Boshemitzan D14/218
 D820,318 S * 6/2018 Mullins D14/496
 D830,858 S * 10/2018 Rogers D10/41
 D865,859 S * 11/2019 Ben Avi D18/4.4

OTHER PUBLICATIONS

V—Tribedesigns Digital Kitchen Timer Magnet | amazon.com May 2015 [online]. © 1996-2020, Amazon.com, Inc [retrieved Feb. 14, 2020] from Internet: <https://www.amazon.com/gp/product/B00XXZEMXK/ref=as_li_ss_tl?ie=UTF8&linkCode=s11&tag=thespir0a-20&linkId=f6ecd85da486e9e06345ecae6cf7a2db> (Year: 2015).*

Baseus YGH-5237 Magnetic Digital Timer | posted at Baseus-cn.com no posting date [online]. [retrieved Feb. 14, 2020] from Internet: <<https://www.baseus-cn.com/baseus-ygh-5237-magnetic-digital-timer-cooking-timer/>> (Year: 2020).*

Deercy Digital Kitchen Timer | posted at amazon.com Jan. 14, 2016 © 1996-2018, Amazon.com, Inc [onlin][site visited Jul. 2, 2018]. Available from internet: <<https://www.amazon.com/DEERCY-Digital-Kitchen-Display-Simplest/dp/B06WGYZW8R>> (Year: 2016).*

“Magnetic Mechanical Timer Stainless Steel Cylinder Timer Kitchen Countdown Timer Alarm Count Up Down Clock to 60 Minutes”, Retrieved Dec. 2, 2019]. Retrieved from Internet, <https://www.aliexpress.com/item/32842361268.html?spm=a2g0o.detail.1000014.18.3f5d6fcb4yVSn3&gps-id=pcDetailBottomMoreOtherSeller>.

* cited by examiner

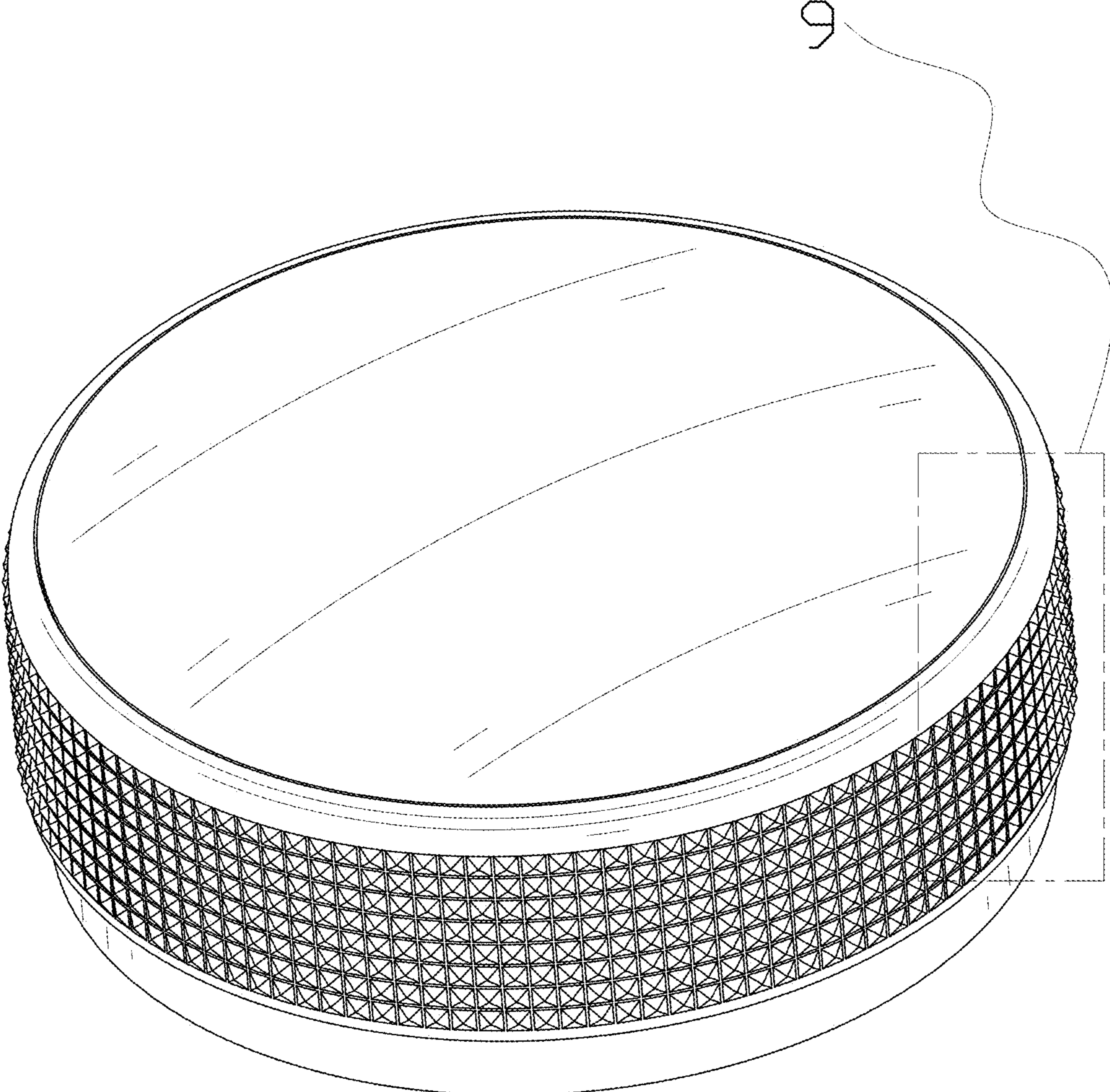


FIG. 1

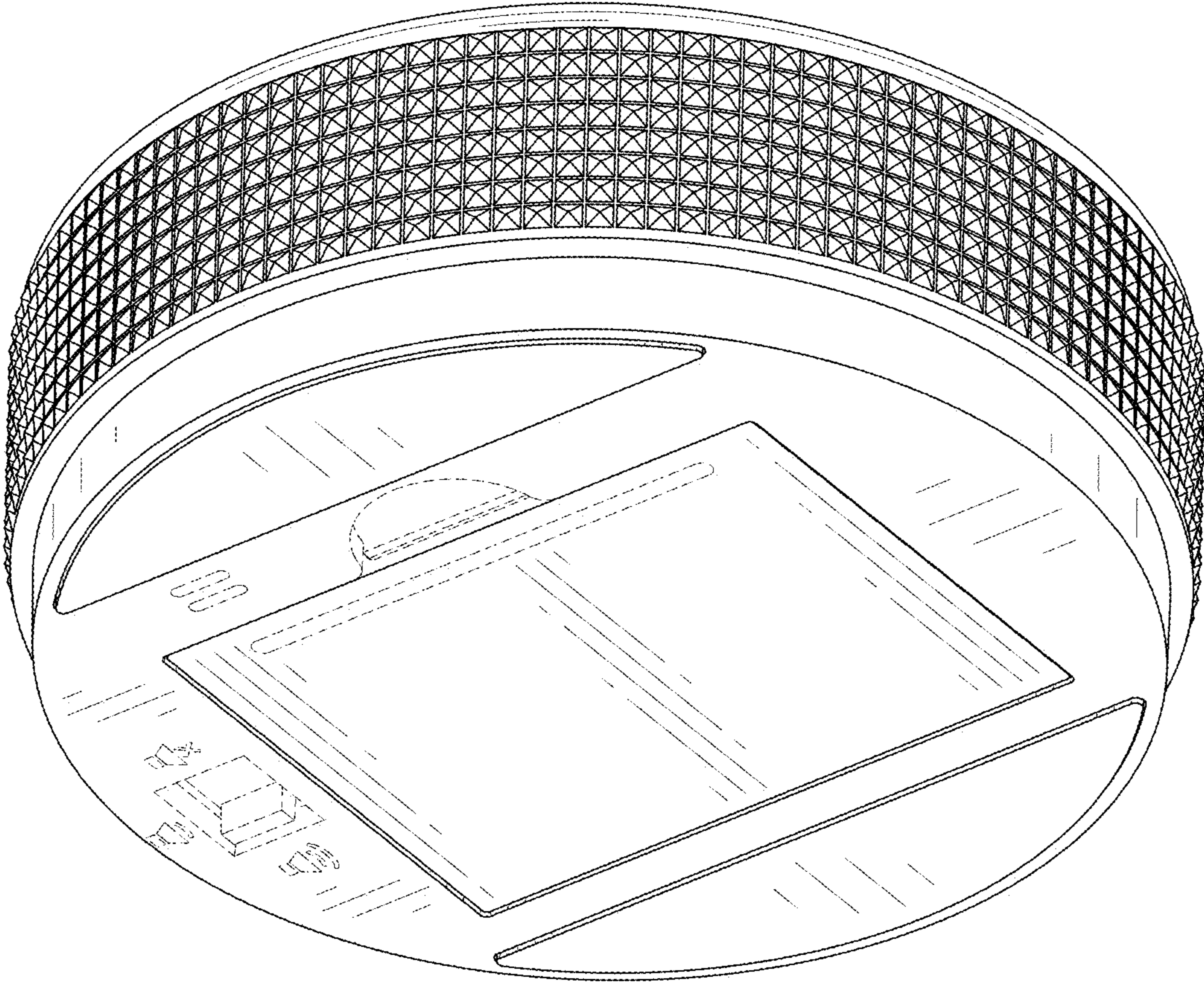


FIG. 2

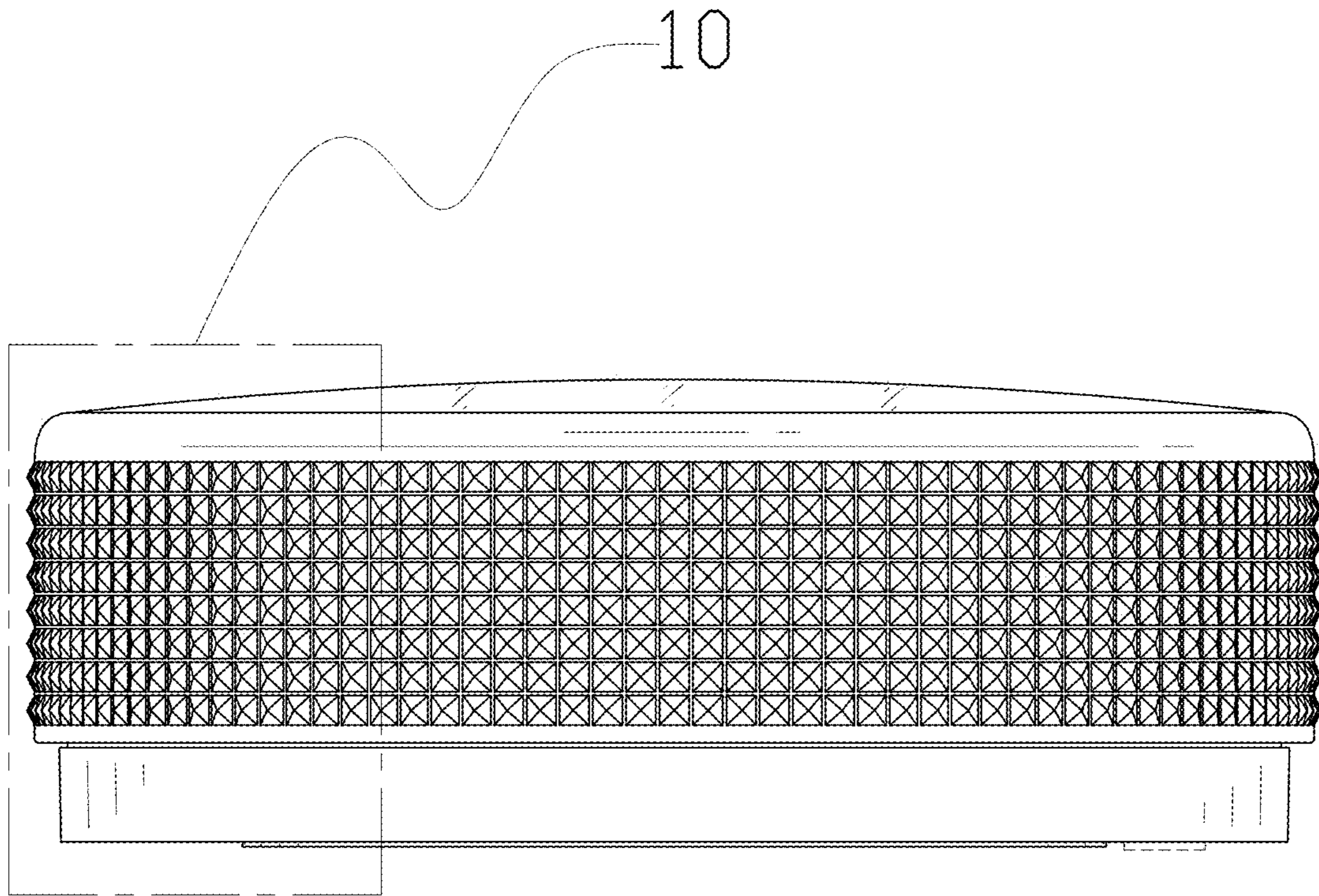


FIG. 3

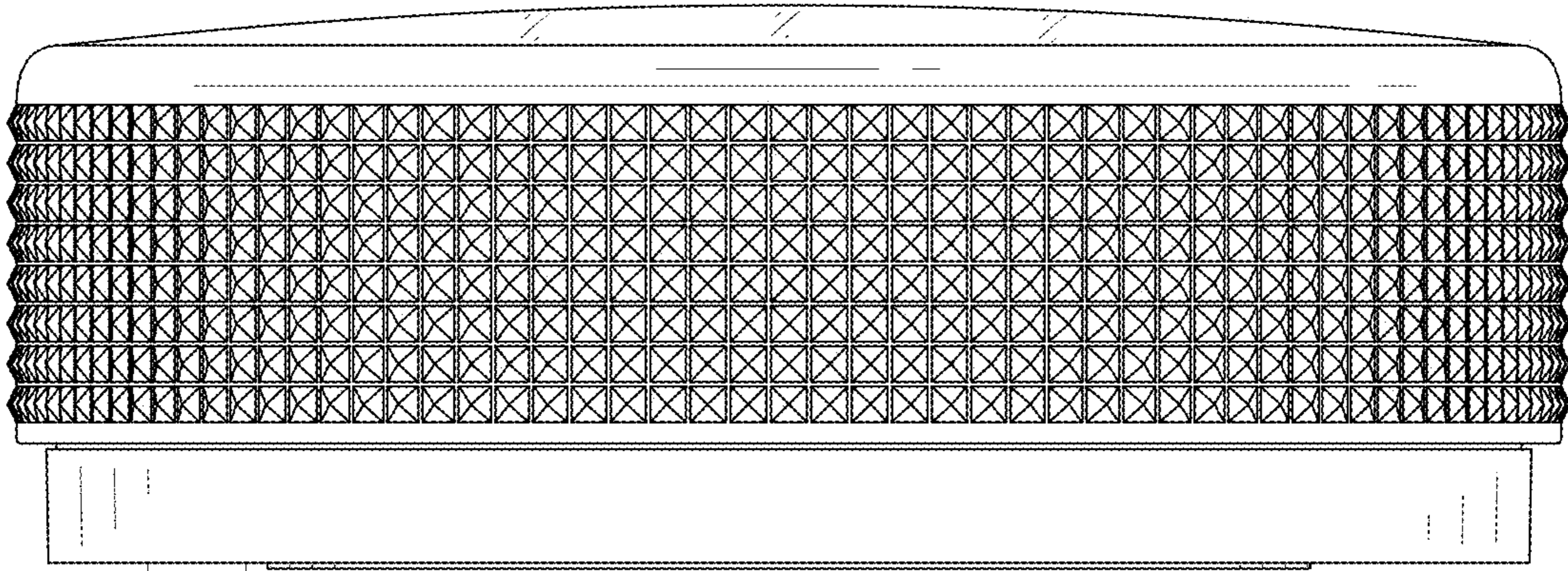


FIG. 4

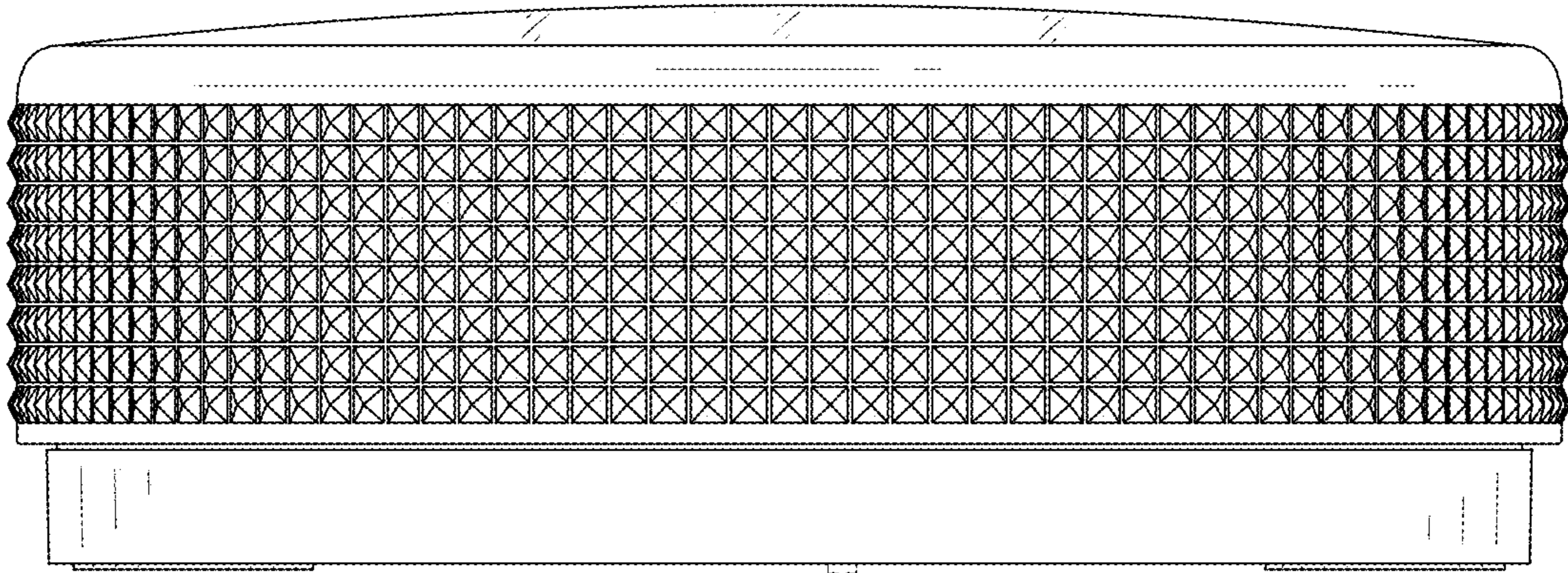


FIG. 5

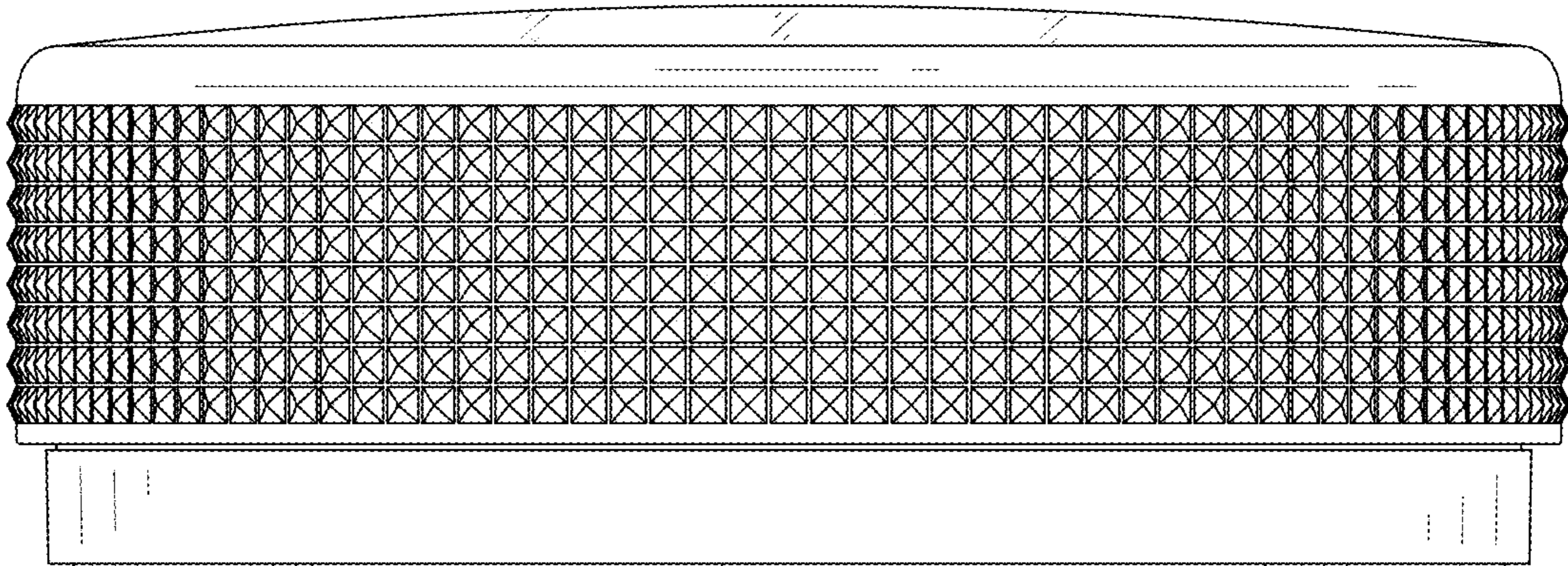


FIG. 6

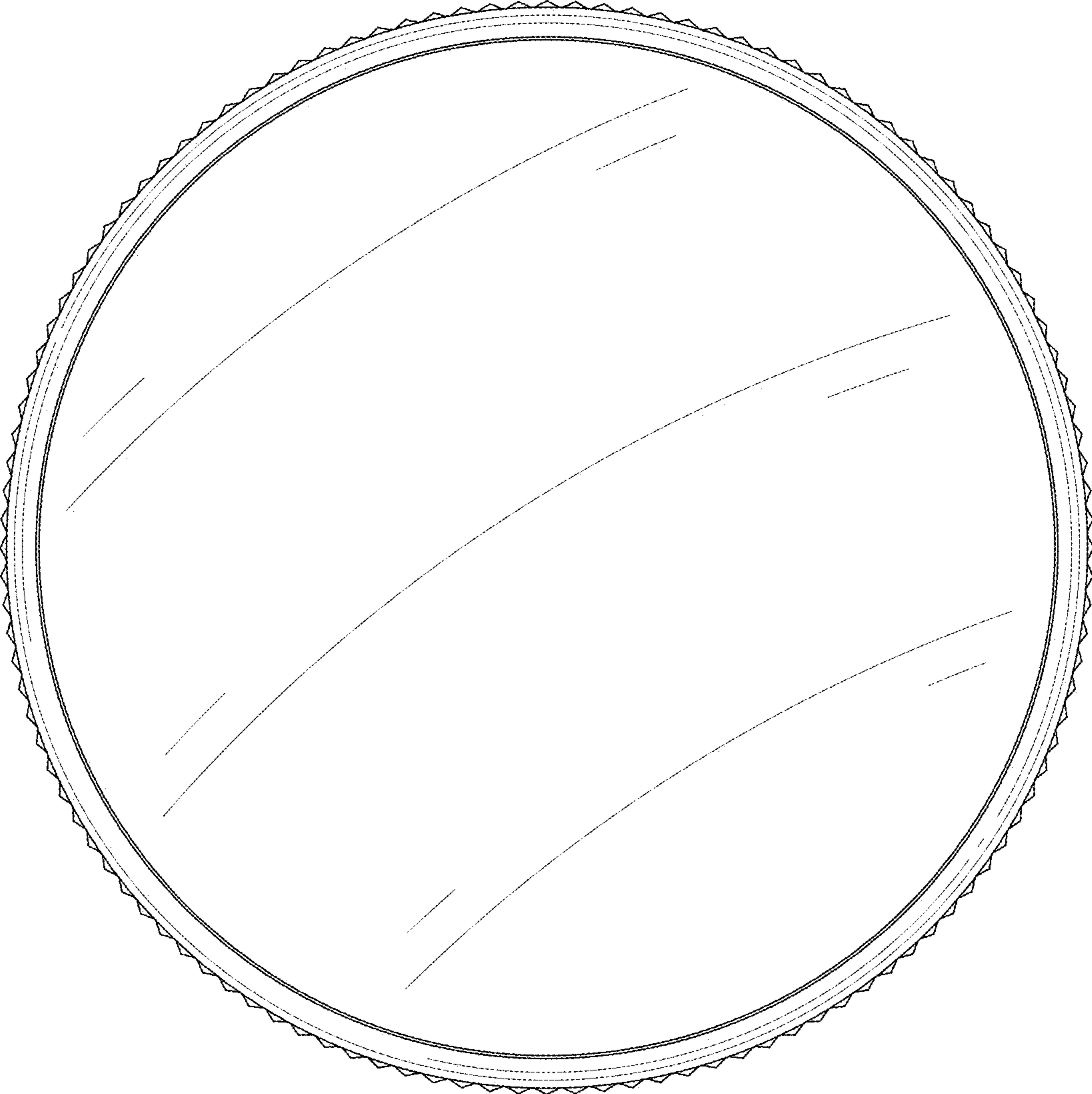


FIG. 7

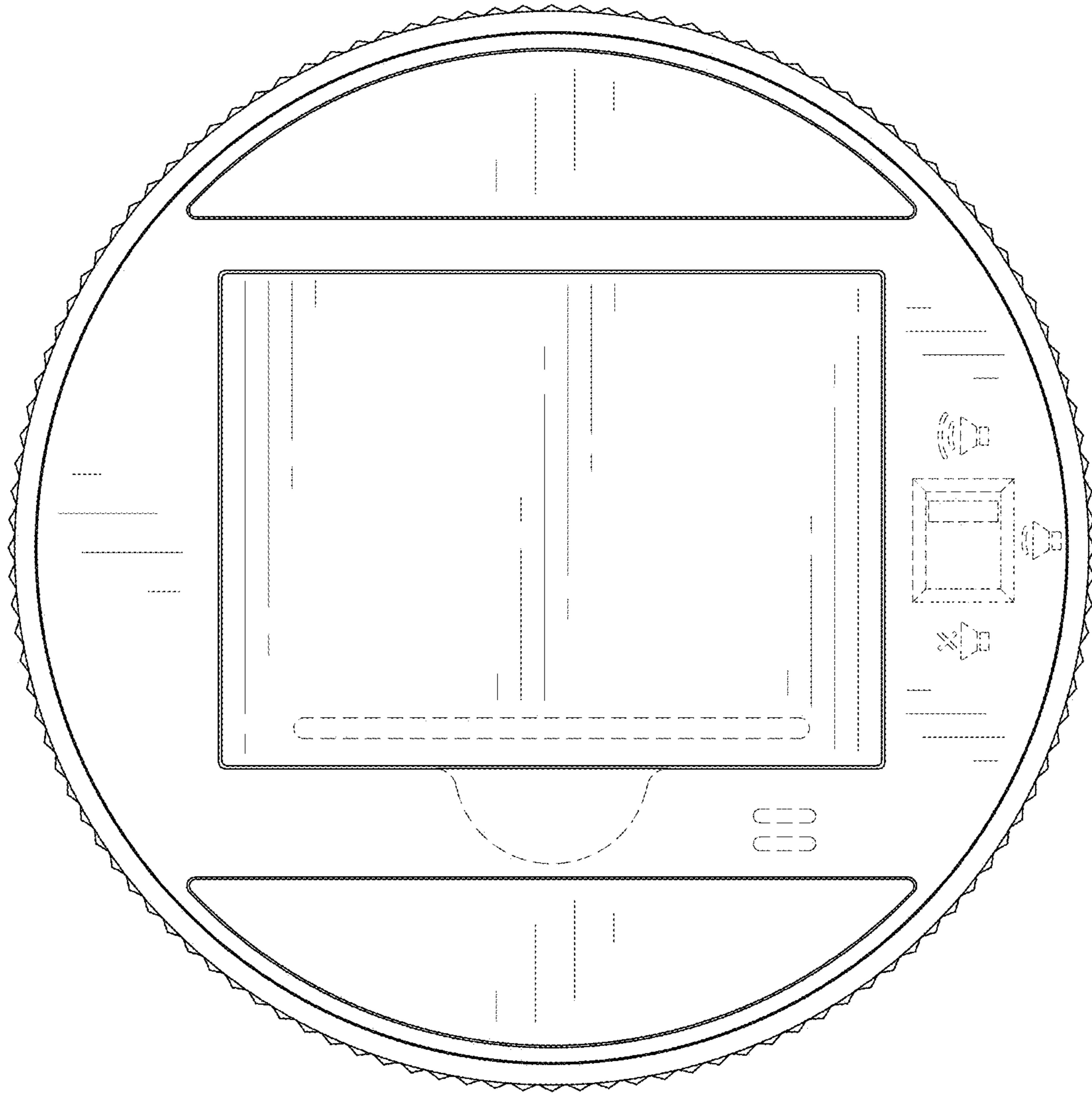


FIG. 8

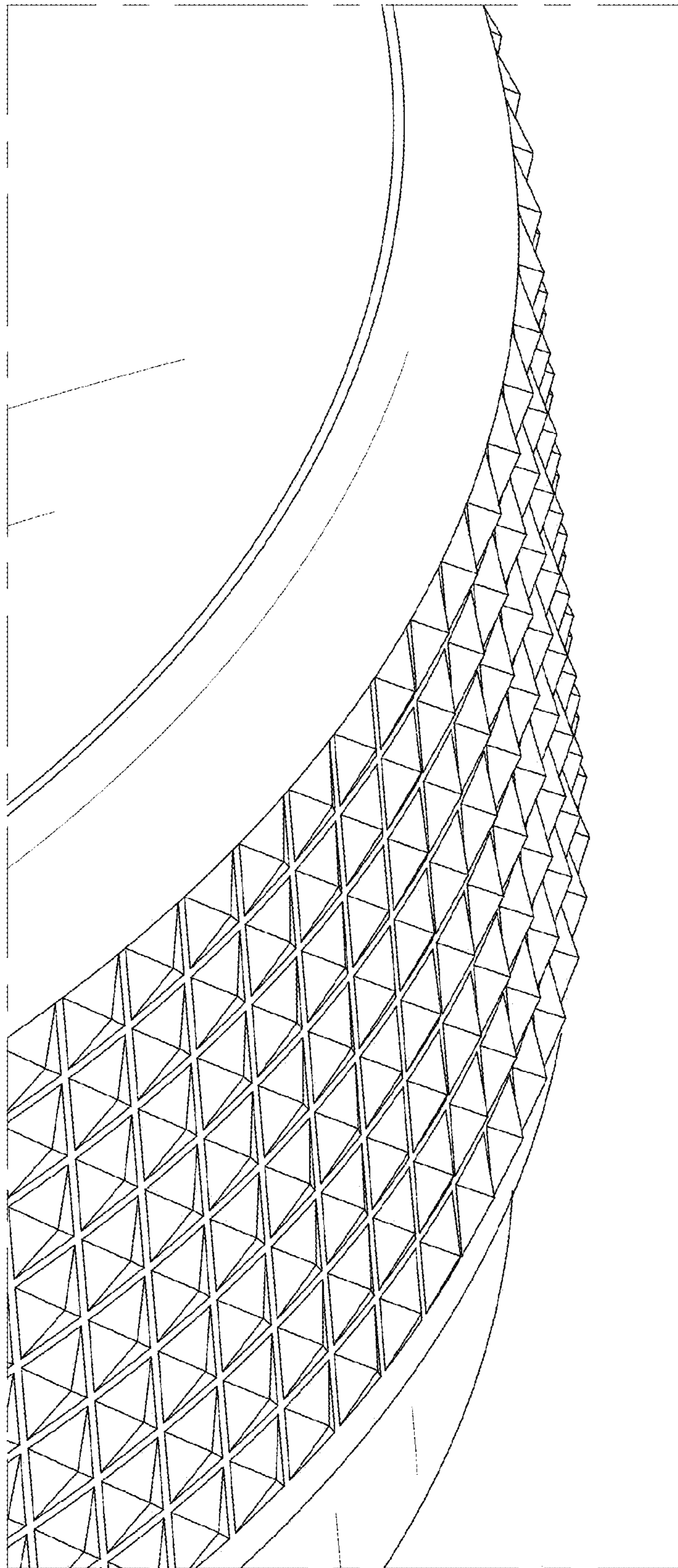


FIG. 9

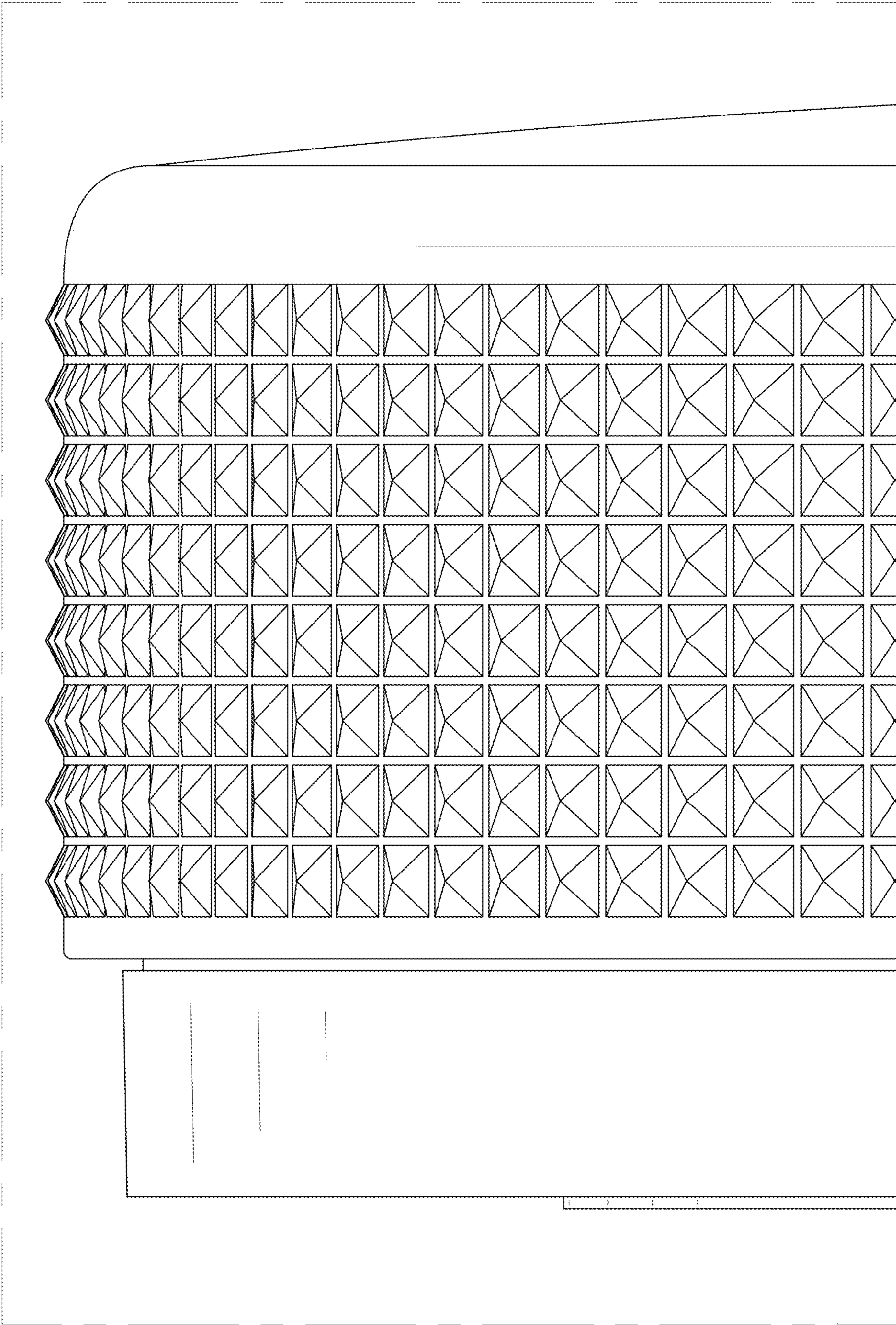


FIG. 10