



US00D897222S

(12) **United States Design Patent**  
**Simms, II**

(10) **Patent No.:** **US D897,222 S**

(45) **Date of Patent:** **\*\* Sep. 29, 2020**

(54) **CONTAINER**

(71) Applicant: **Waddington North America, Inc.**,  
Chelmsford, MA (US)

(72) Inventor: **Russell L Simms, II**, Cleveland, TN  
(US)

(73) Assignee: **Waddington North America, Inc.**,  
Chelmsford, MA (US)

(\*\*) Term: **15 Years**

(21) Appl. No.: **29/647,756**

(22) Filed: **May 15, 2018**

(51) **LOC (12) Cl.** ..... **09-03**

(52) **U.S. Cl.**  
USPC ..... **D9/761**

(58) **Field of Classification Search**  
USPC ..... D9/414, 418, 420-426, 429-432, 503,  
D9/504, 737, 756-762; D7/538,  
D7/540-542, 550.1, 553.1-553.5, 554.1,  
D7/554.3, 554.4, 555, 557, 584, 586, 601,  
D7/602, 610, 611, 614, 615, 701, 703,  
D7/707, 708; D3/206, 273, 20, 283, 284,  
D3/295, 302, 309-315; 220/500, 507,  
220/508, 553, 555, 556; 229/120.02,  
229/120.07, 406, 407, 906, 904;  
206/521.1, 521.15, 561, 443  
CPC ..... B65B 31/028; B65B 19/34; B65D 1/30;  
B65D 1/34; B65D 2581/055; B65D  
81/34; B65D 1/36; B65D 81/3453; B65D  
85/36; B65D 21/02; B65D 21/0206;  
B65D 71/40; B65D 71/50; B65D 1/00;  
B65D 43/021; B65D 2543/00194; B65D  
2543/00296;

(Continued)

(56) **References Cited**

**U.S. PATENT DOCUMENTS**

D226,836 S \* 5/1973 Cyr et al. .... D9/761  
D236,691 S \* 9/1975 Haase ..... D9/761

(Continued)

*Primary Examiner* — W. A. Teddy Falloway

(74) *Attorney, Agent, or Firm* — Maine Cernota & Rardin

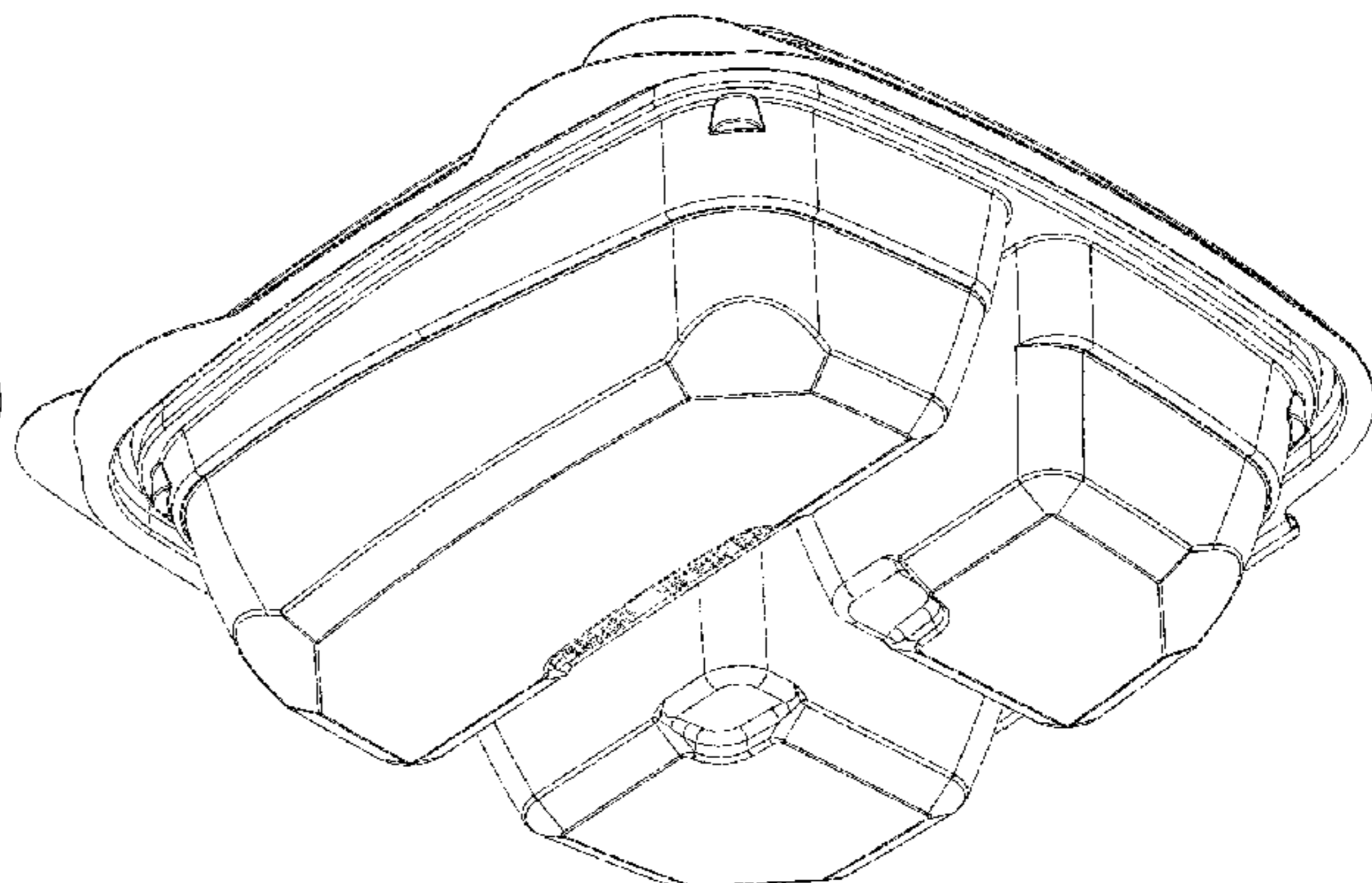
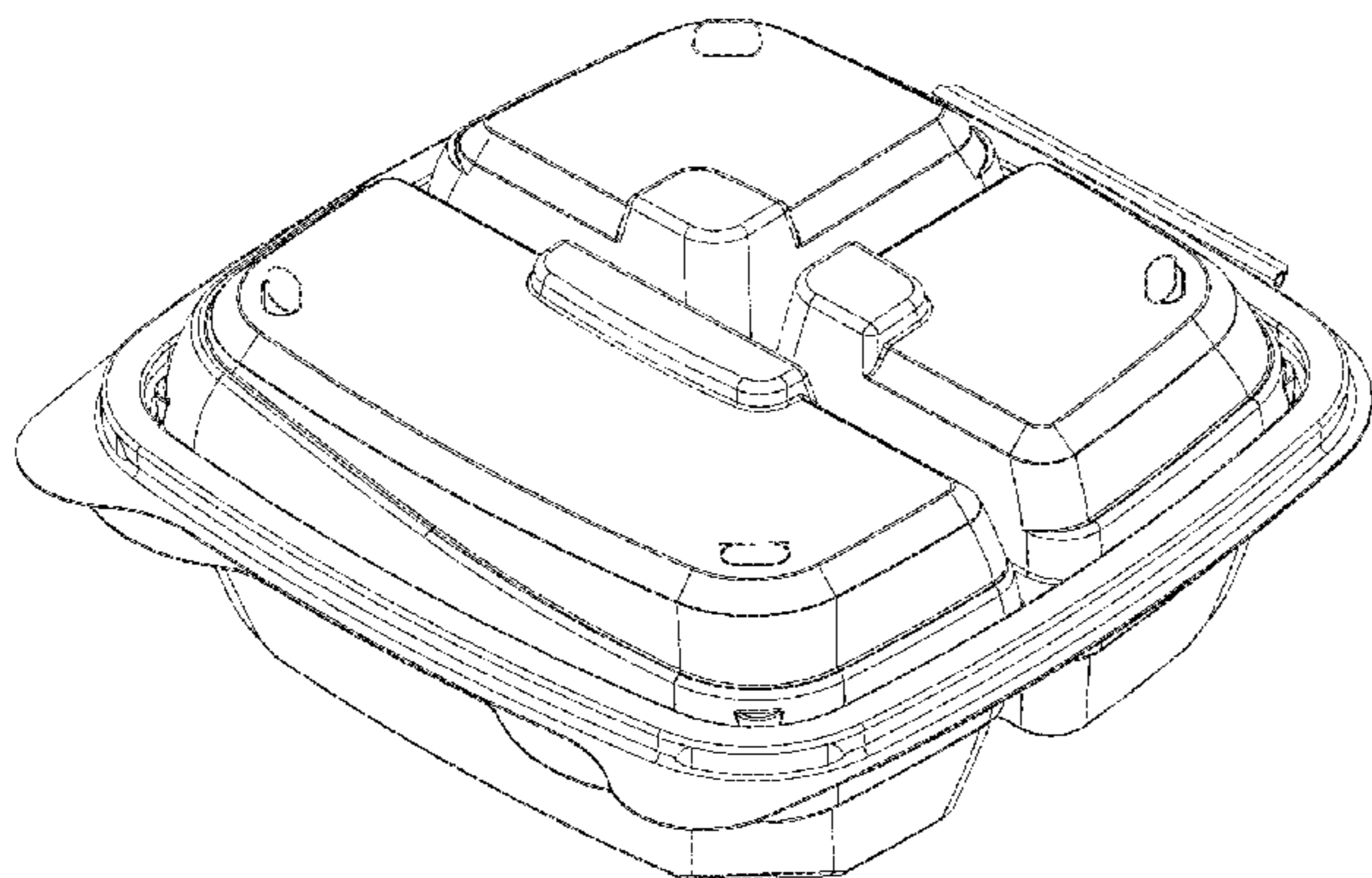
(57) **CLAIM**

The ornamental design for a container, as shown and described.

**DESCRIPTION**

FIG. 1 is a top perspective view of a container of the present disclosure;  
FIG. 2 is a bottom perspective view thereof;  
FIG. 3 is a right side view thereof;  
FIG. 4 is a left side view thereof;  
FIG. 5 is a front side view thereof;  
FIG. 6 is a rear side view thereof;  
FIG. 7 is a top view thereof;  
FIG. 8 is a bottom view thereof;  
FIG. 9 is a top perspective view of a base of the container of FIG. 1 shown separately for clarity of illustration;  
FIG. 10 is a bottom perspective view thereof;  
FIG. 11 is a right side view of the base thereof;  
FIG. 12 is a left side view of the base thereof;  
FIG. 13 is a front side view of the base thereof;  
FIG. 14 is rear side view of the base thereof;  
FIG. 15 is a top view of the base thereof;  
FIG. 16 is a bottom view of the base thereof;  
FIG. 17 is a top perspective view of a lid of the container of FIG. 1, shown separately for clarity of illustration;  
FIG. 18 is a bottom perspective view thereof;  
FIG. 19 is a right side view of the lid thereof;  
FIG. 20 is a left side view of the lid thereof;  
FIG. 21 is a front side view of the lid thereof;  
FIG. 22 is rear side view of the lid thereof;  
FIG. 23 is a top view of the lid thereof; and,  
FIG. 24 is a bottom view of the lid.  
The broken lines illustrate environmental structure that forms no part of the claimed design.

**1 Claim, 17 Drawing Sheets**



(58) **Field of Classification Search**

CPC ..... B65D 2543/00509; B65D 2543/00101;  
B65D 2543/00537; B65D 2543/00555;  
B65D 2577/2066; B65D 2101/0015;  
B65D 2571/00277; B65D 21/0233; B65D  
71/70; B65D 1/44; B65D 2581/3416;  
B65D 81/133; B65D 43/162; B65D  
2543/00351; B65D 2543/002203; B65D  
2543/00425; B65D 85/60; A61C 17/005;  
A61C 19/006; A23B 5/00

See application file for complete search history.

(56) **References Cited**

U.S. PATENT DOCUMENTS

D236,692	S	*	9/1975	Haase	.....	D9/761
D240,353	S	*	6/1976	Edwards	.....	D9/761
D375,259	S	*	11/1996	Whitehead	.....	D9/420
D517,427	S	*	3/2006	Ramirez	.....	D9/425
D536,992	S	*	2/2007	Garg	.....	D9/425
D551,546	S	*	9/2007	Ramirez	.....	D9/424
D672,644	S	*	12/2012	Allers	.....	D9/423
D681,446	S	*	5/2013	Schulter	.....	D9/420
D792,161	S	*	7/2017	Ng	.....	D7/541
D848,258	S	*	5/2019	Mei	.....	D9/429
D874,296	S	*	2/2020	Wouters	.....	D9/761
D891,918	S	*	8/2020	Chen	.....	D9/425
2005/0205570	A1	*	9/2005	Ramirez	.....	B65D 1/24 220/4.21
2010/0102074	A1	*	4/2010	Parikh	.....	B65D 43/0254 220/810
2010/0320210	A1	*	12/2010	Cimmerer	.....	B65D 51/1616 220/367.1

\* cited by examiner

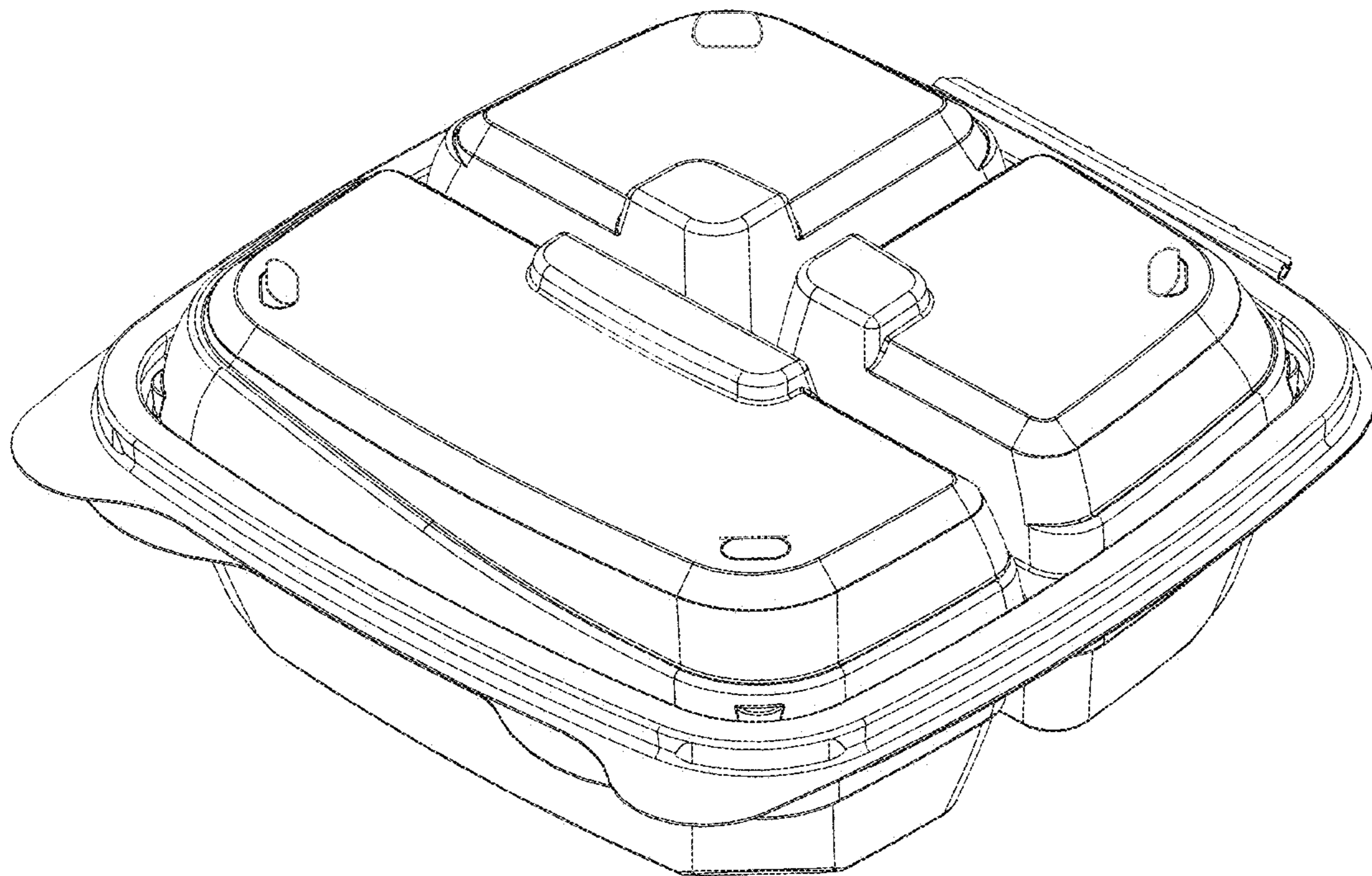


FIG. 1

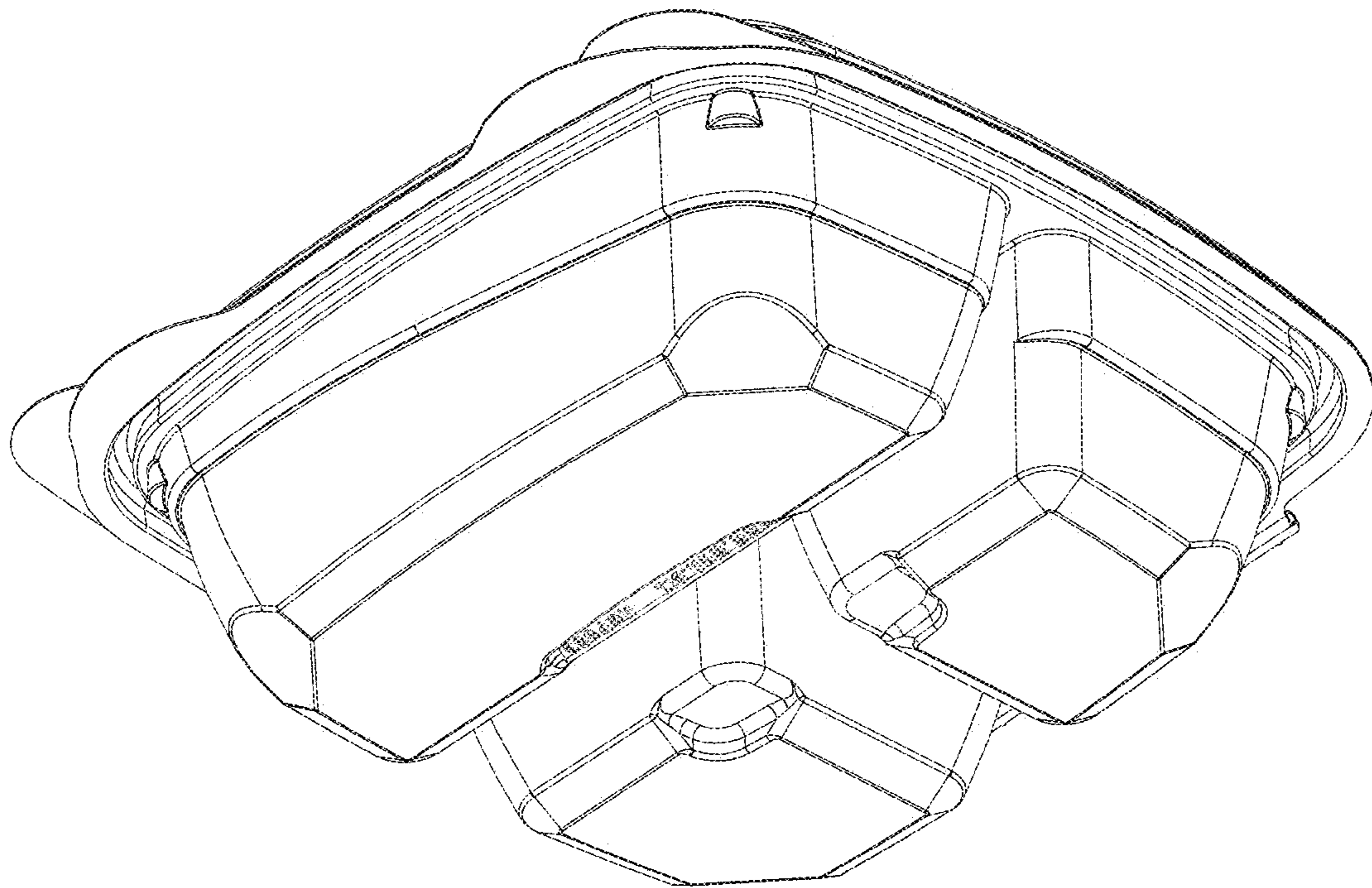


FIG. 2

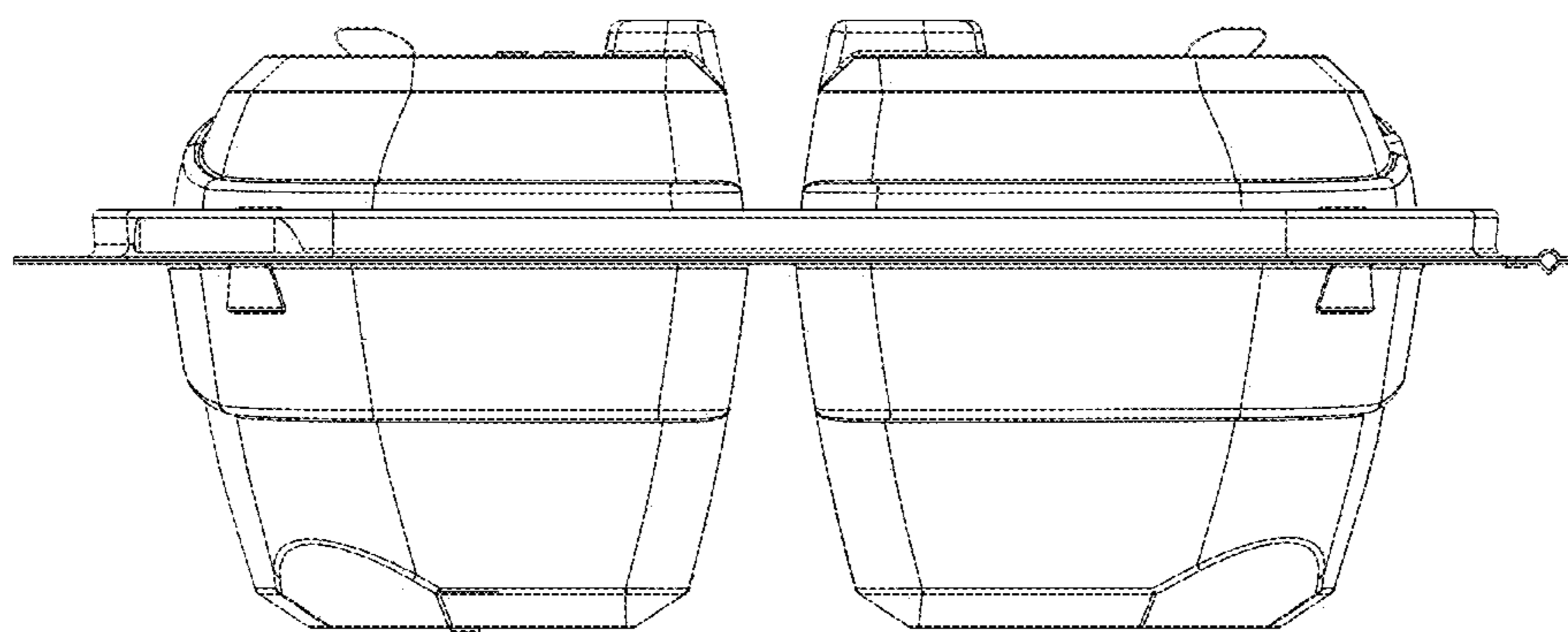


FIG. 3

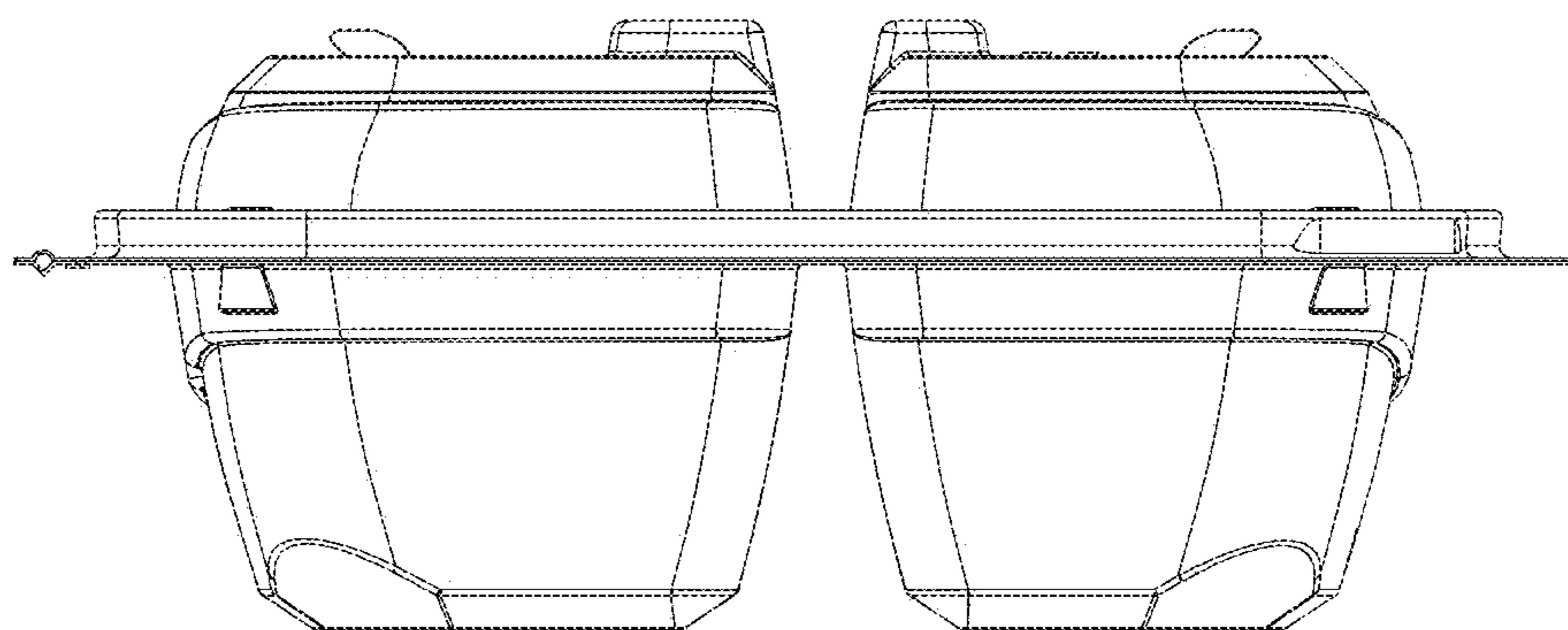


FIG. 4

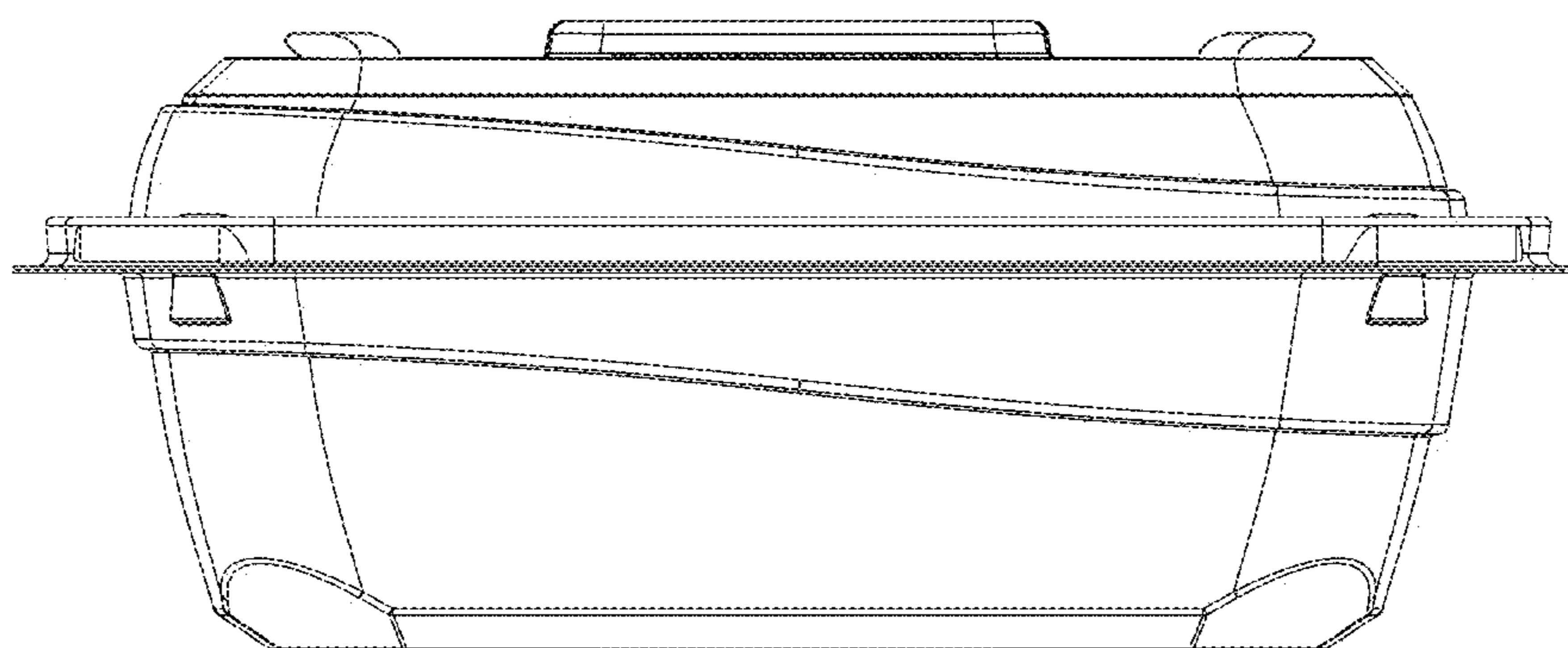


FIG. 5

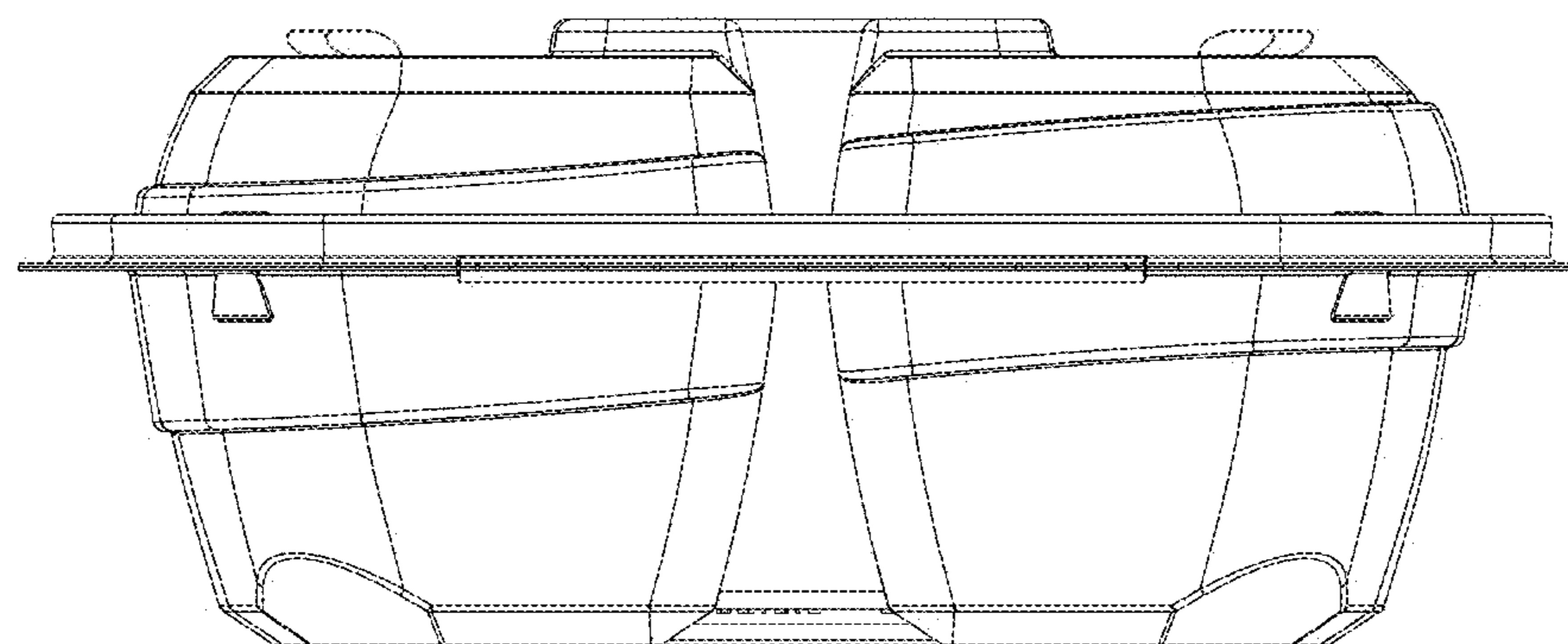


FIG. 6

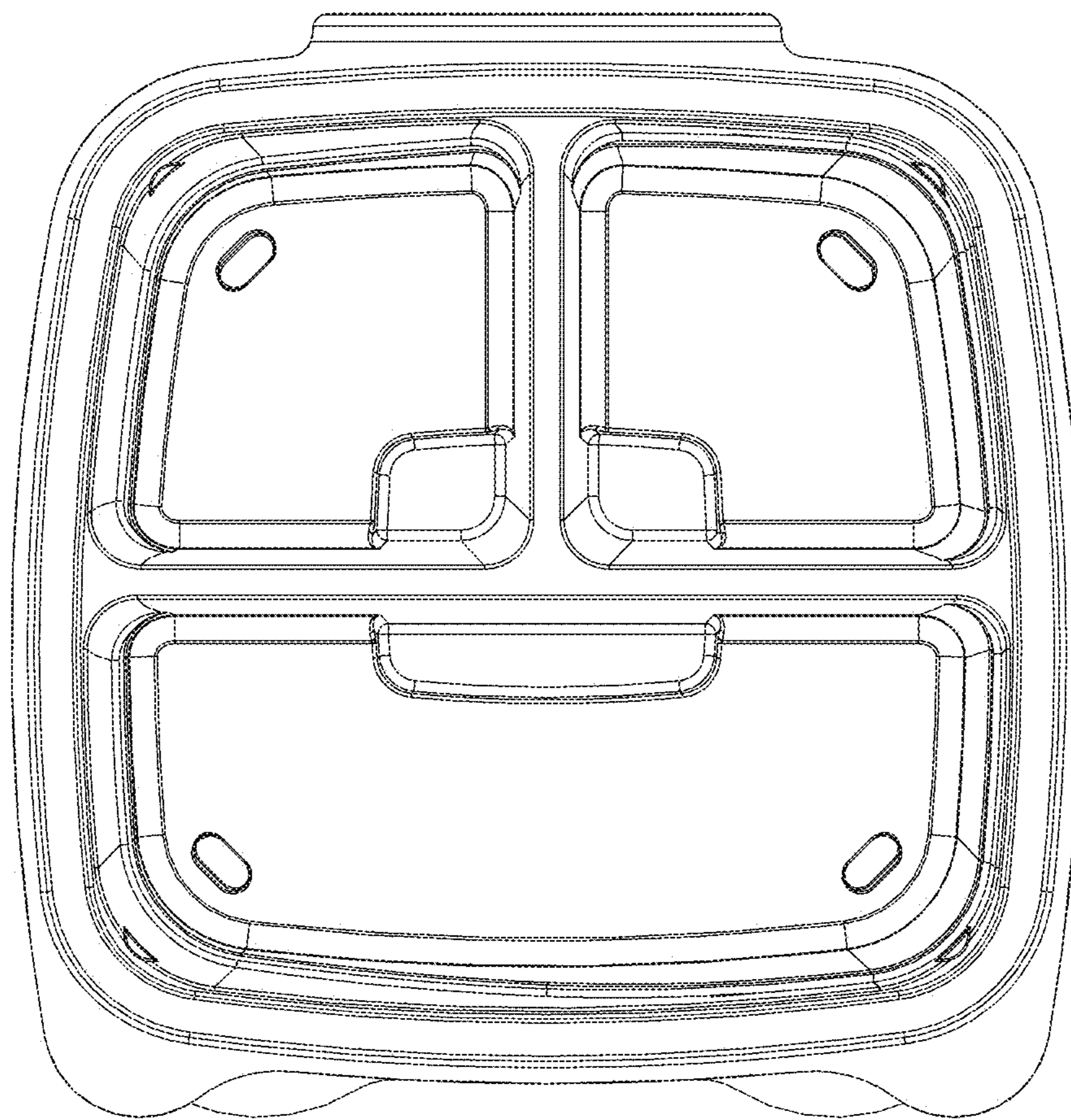


FIG. 7

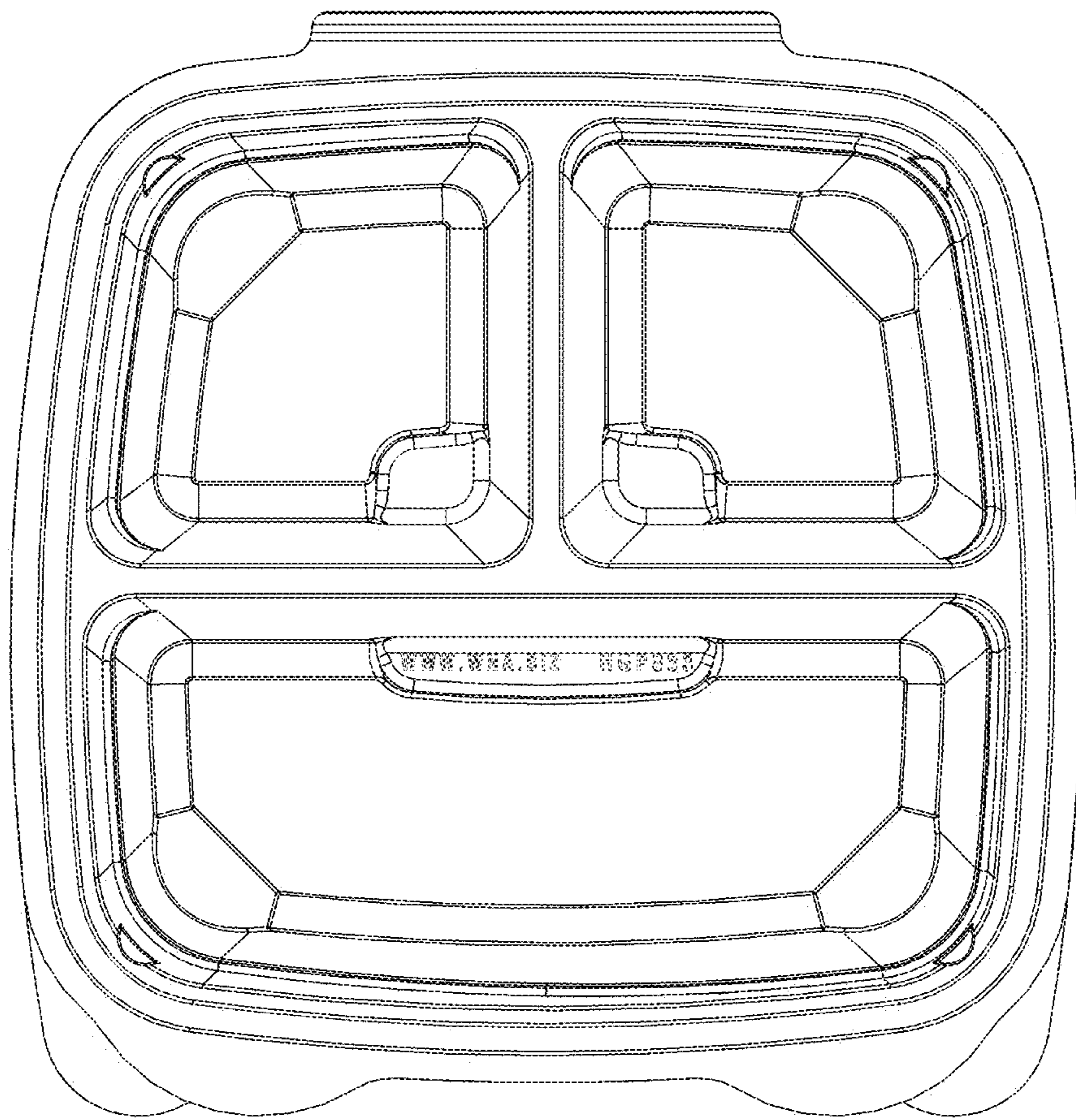


FIG. 8



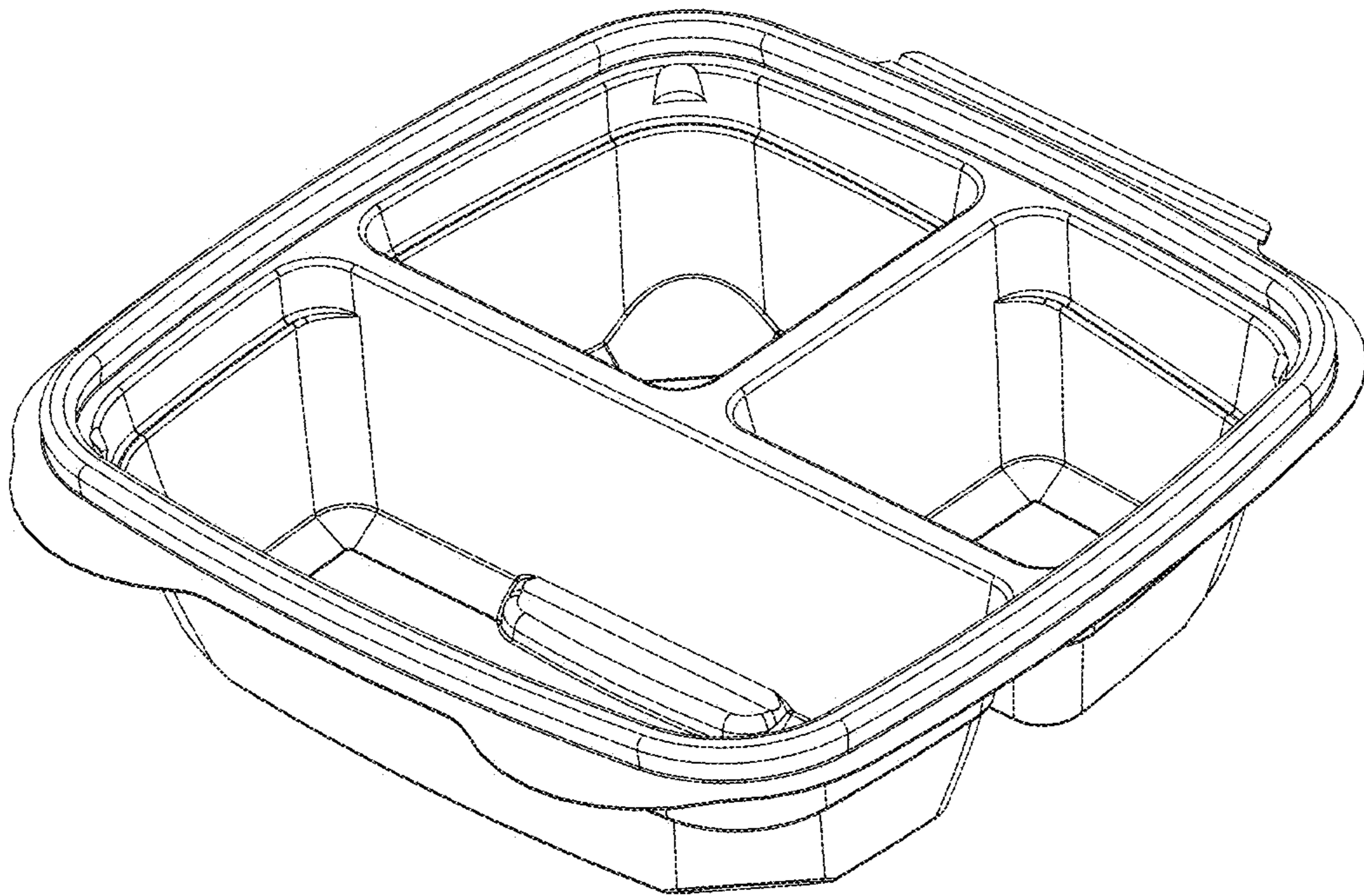


FIG. 9

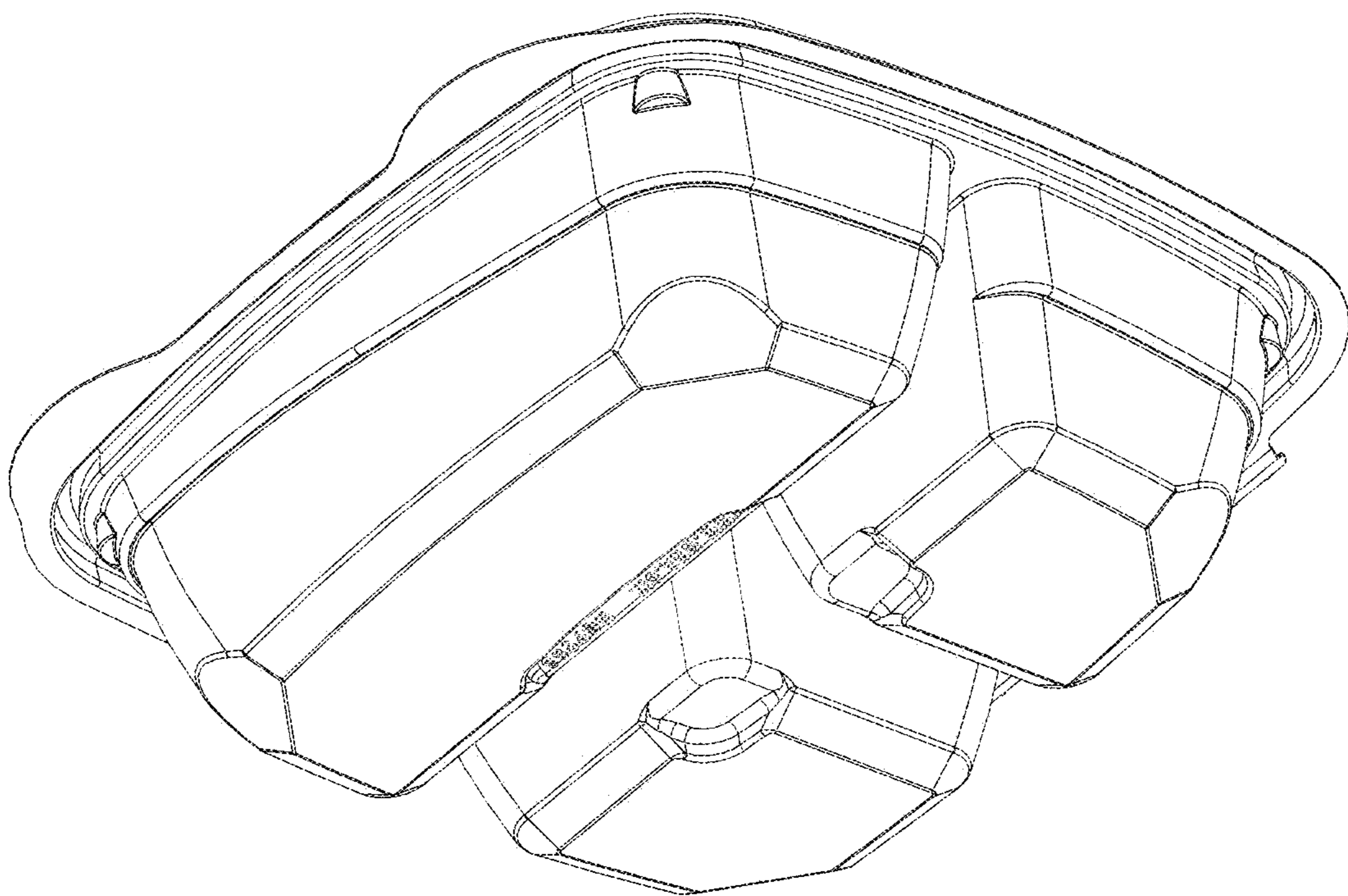


FIG. 10

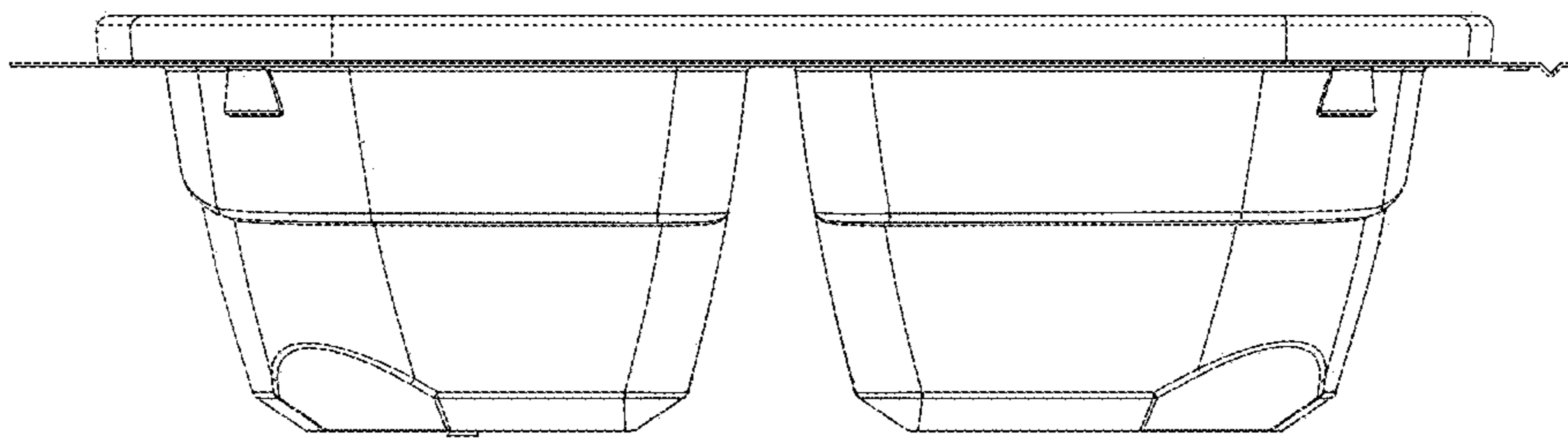


FIG. 11

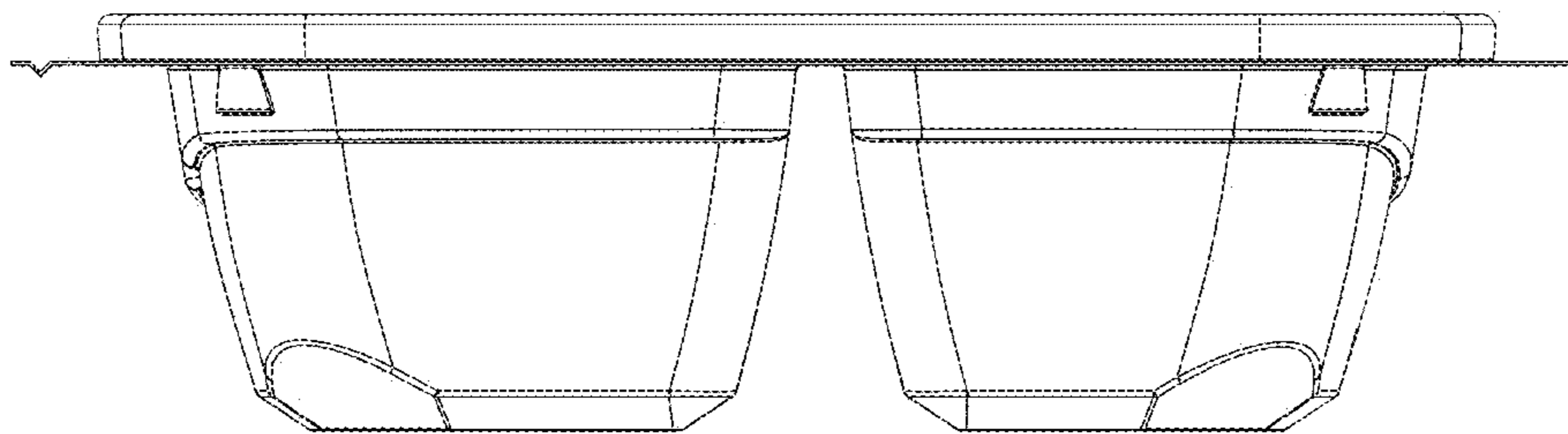


FIG. 12

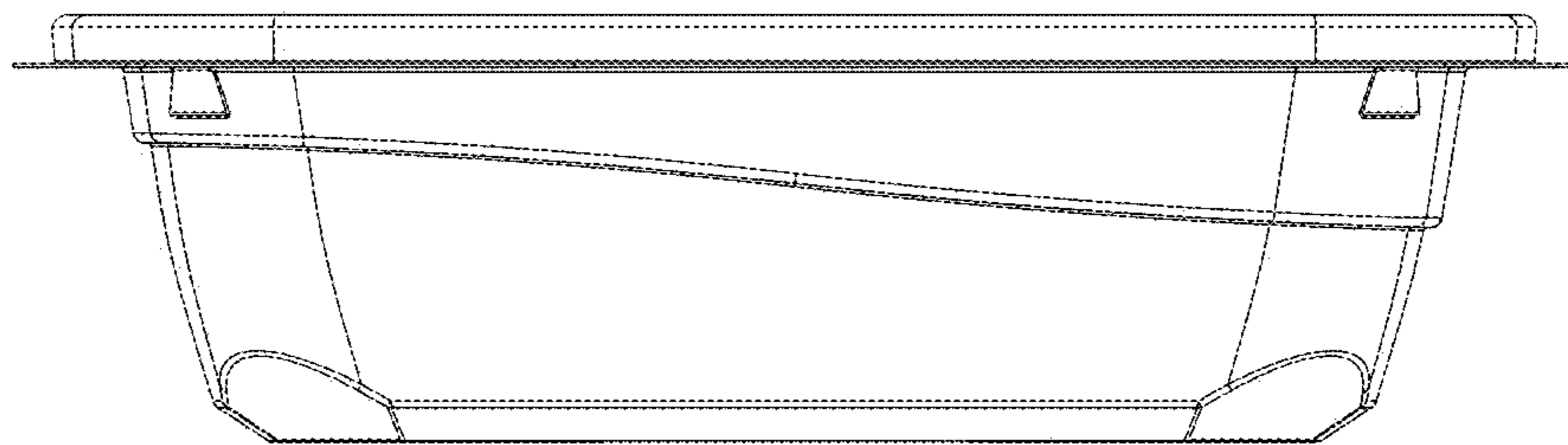


FIG. 13

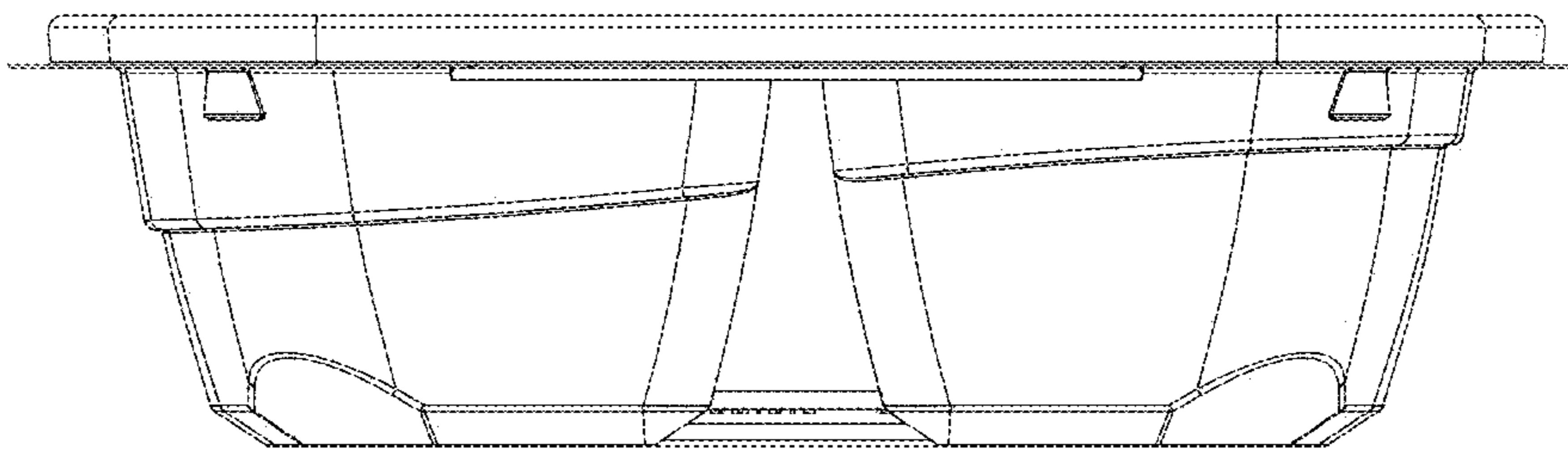


FIG. 14

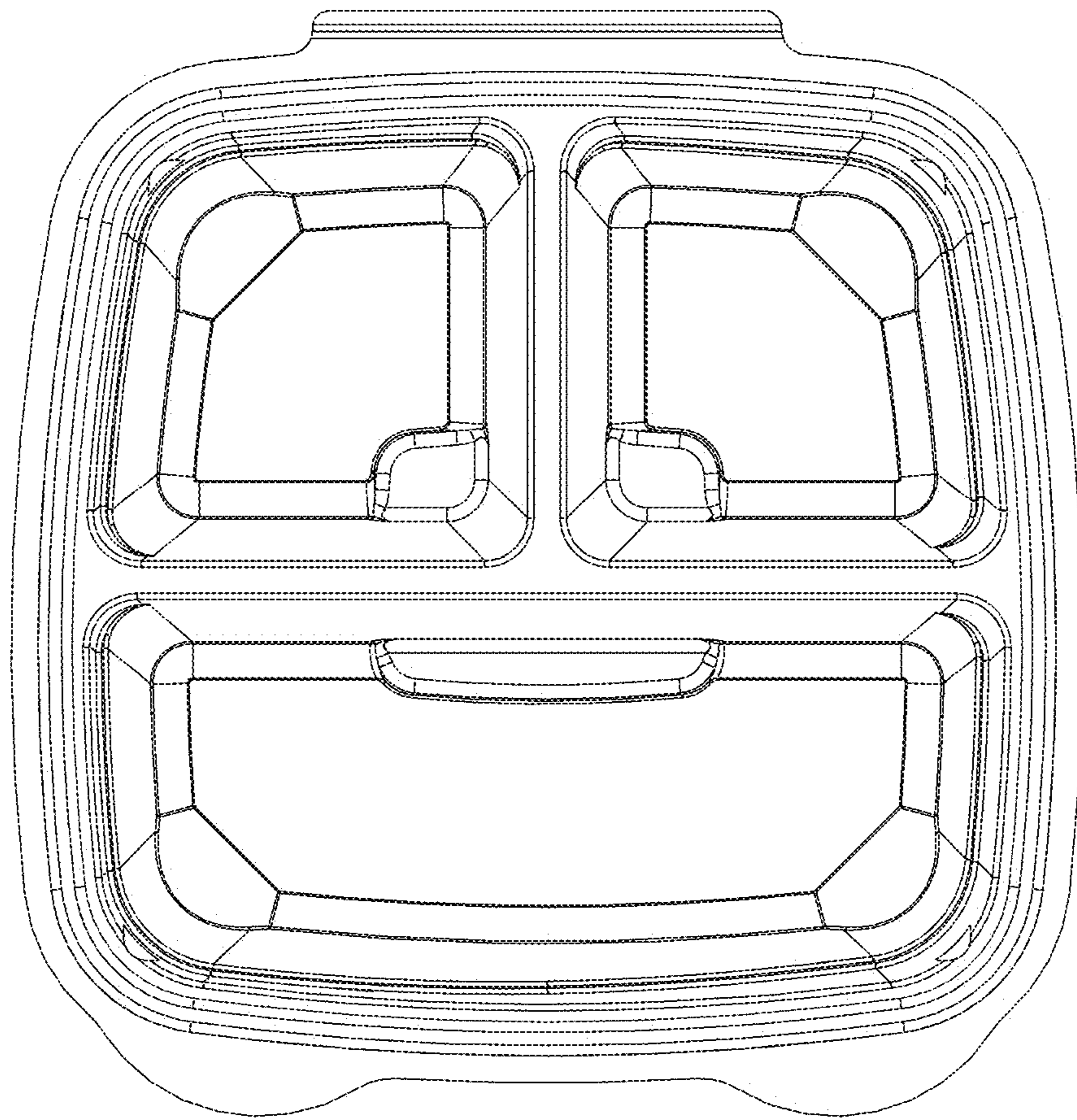


FIG. 15

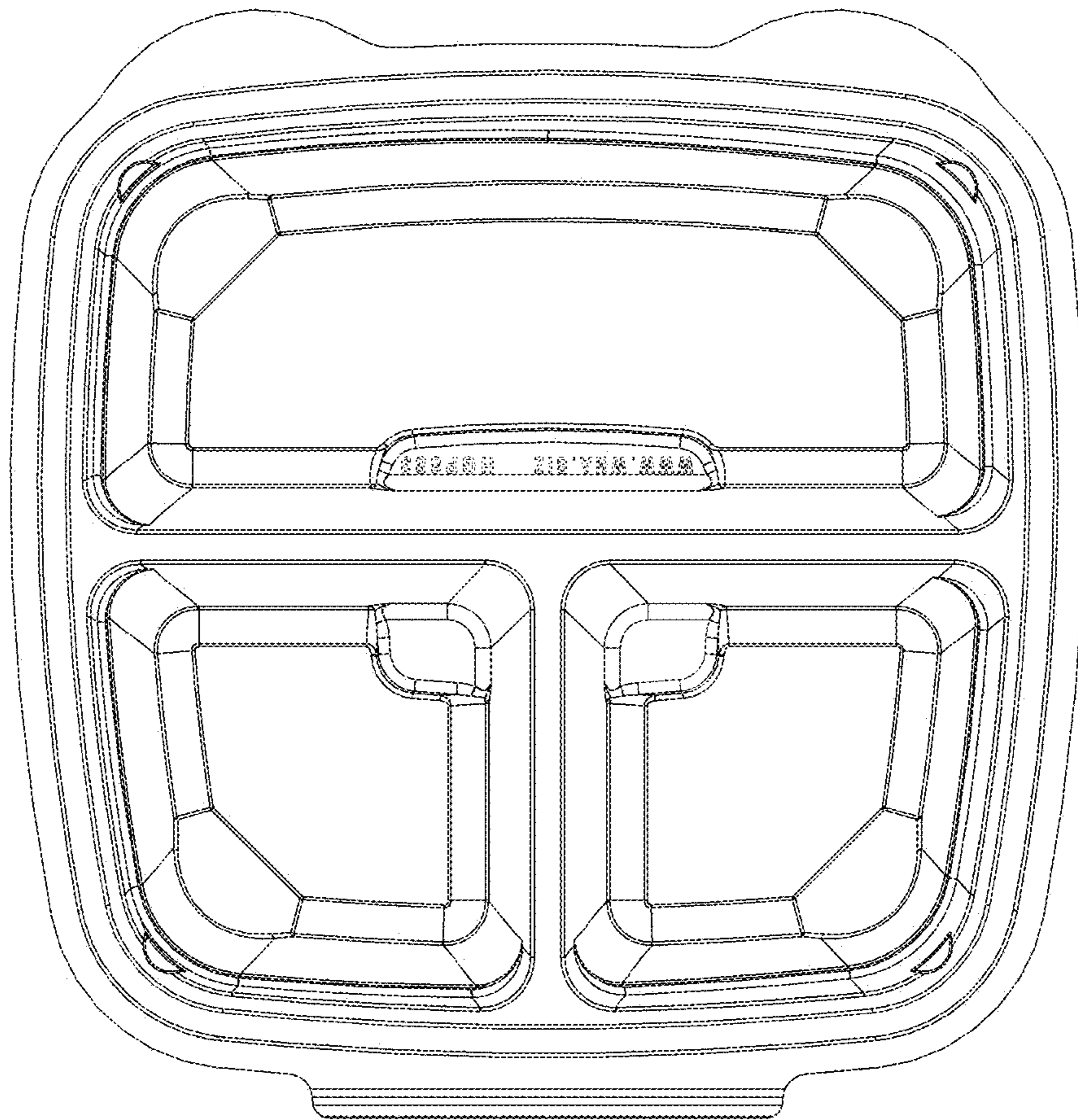


FIG. 16

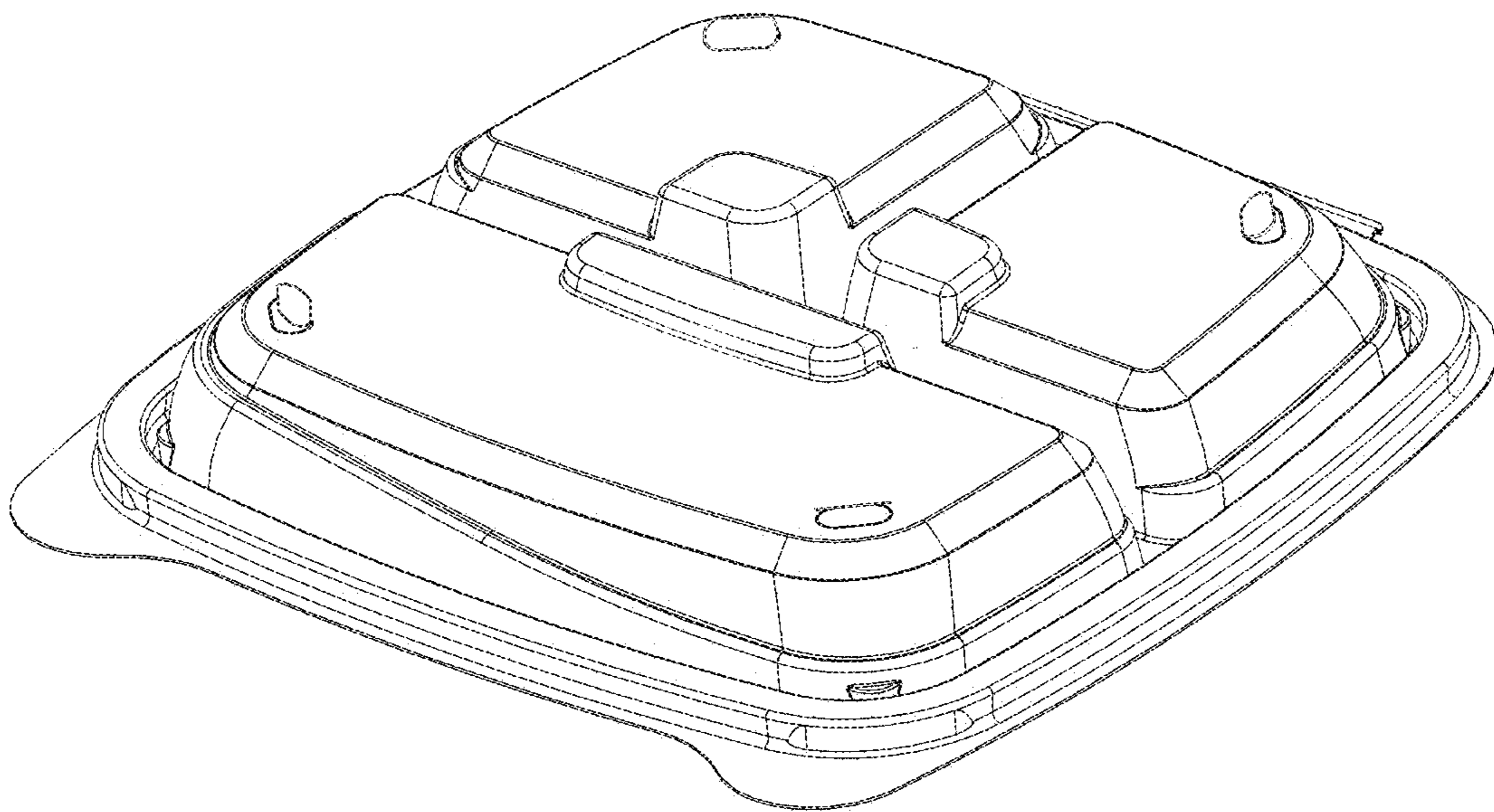


FIG. 17

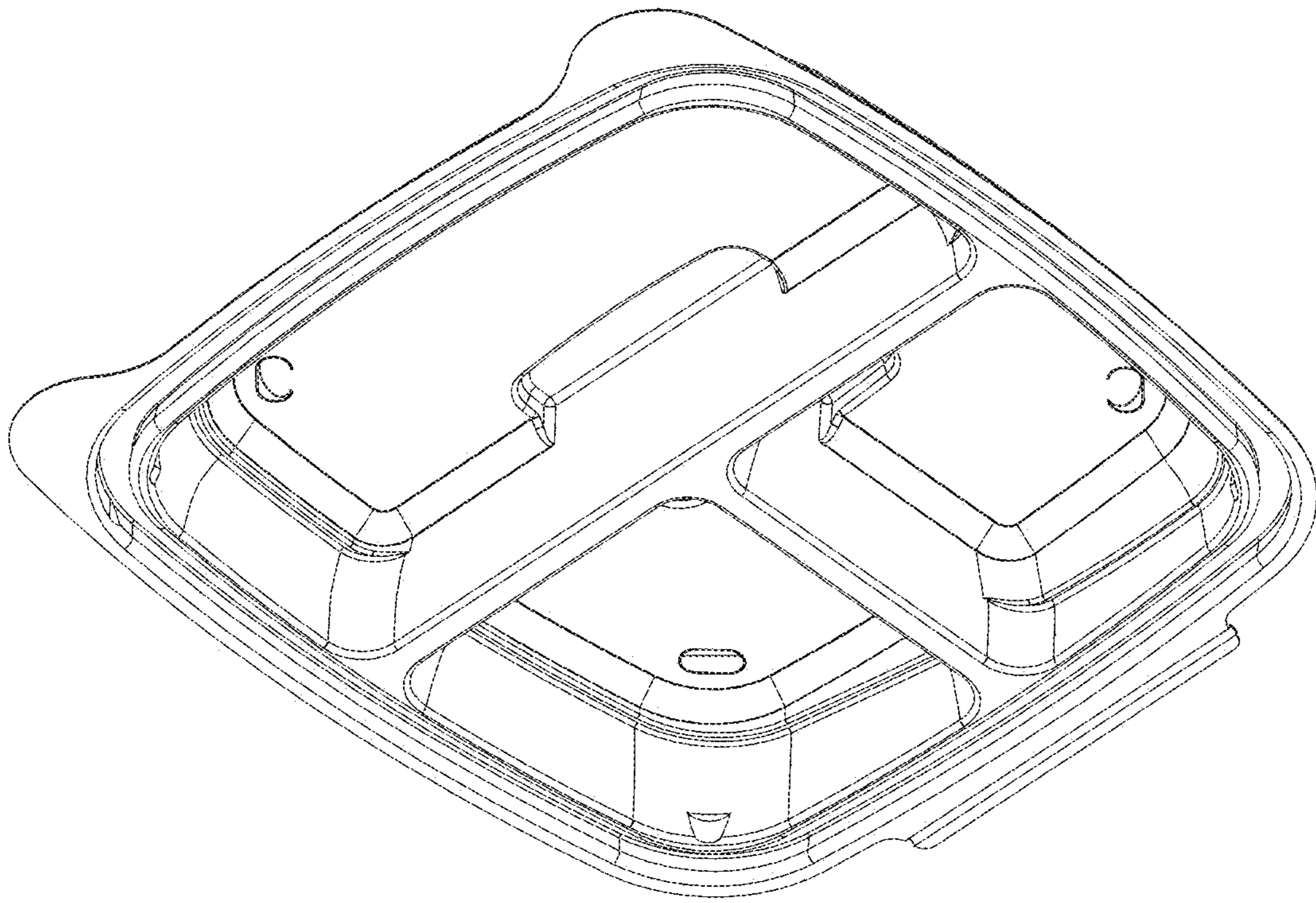


FIG. 18



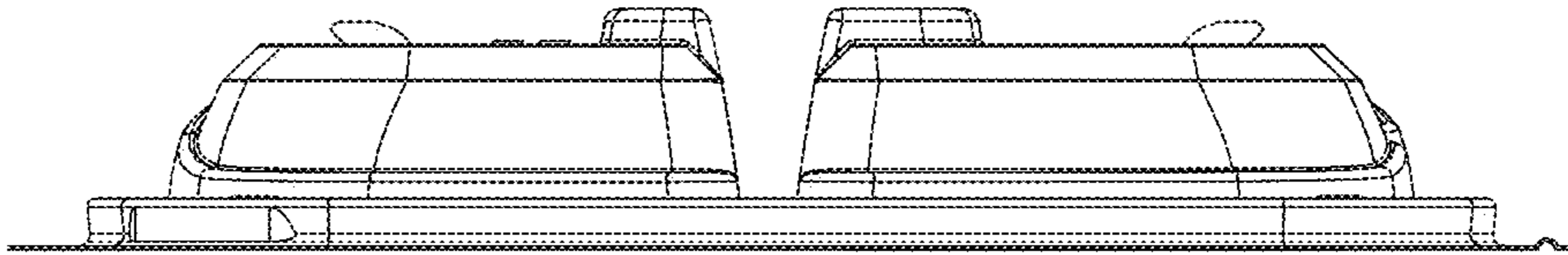


FIG. 19

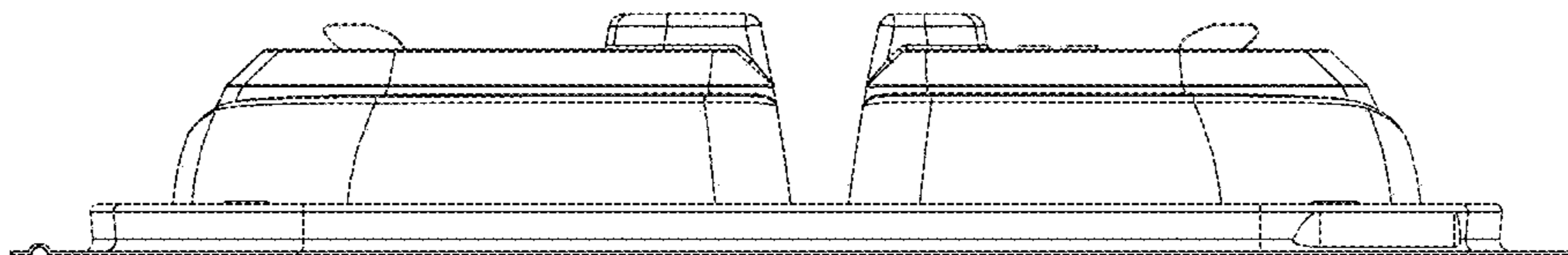


FIG. 20

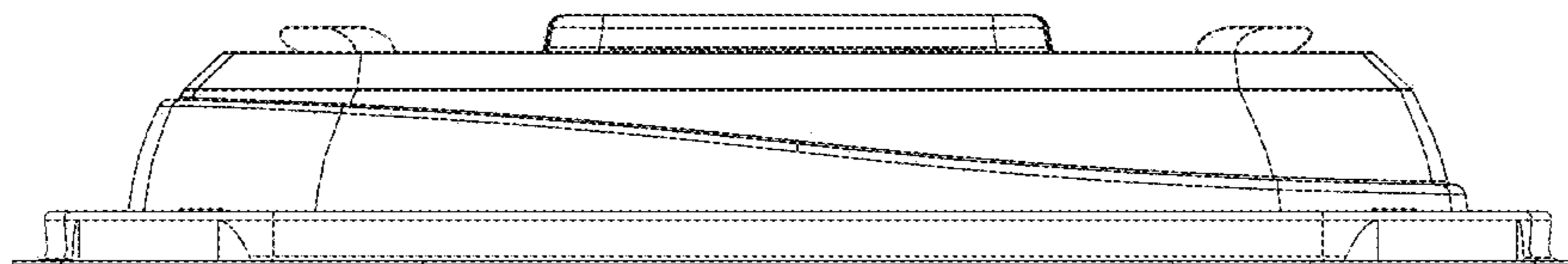


FIG. 21

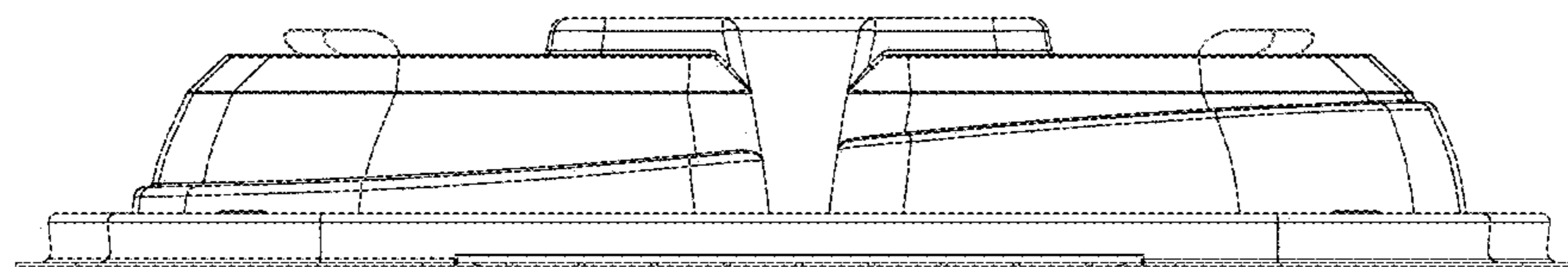


FIG. 22

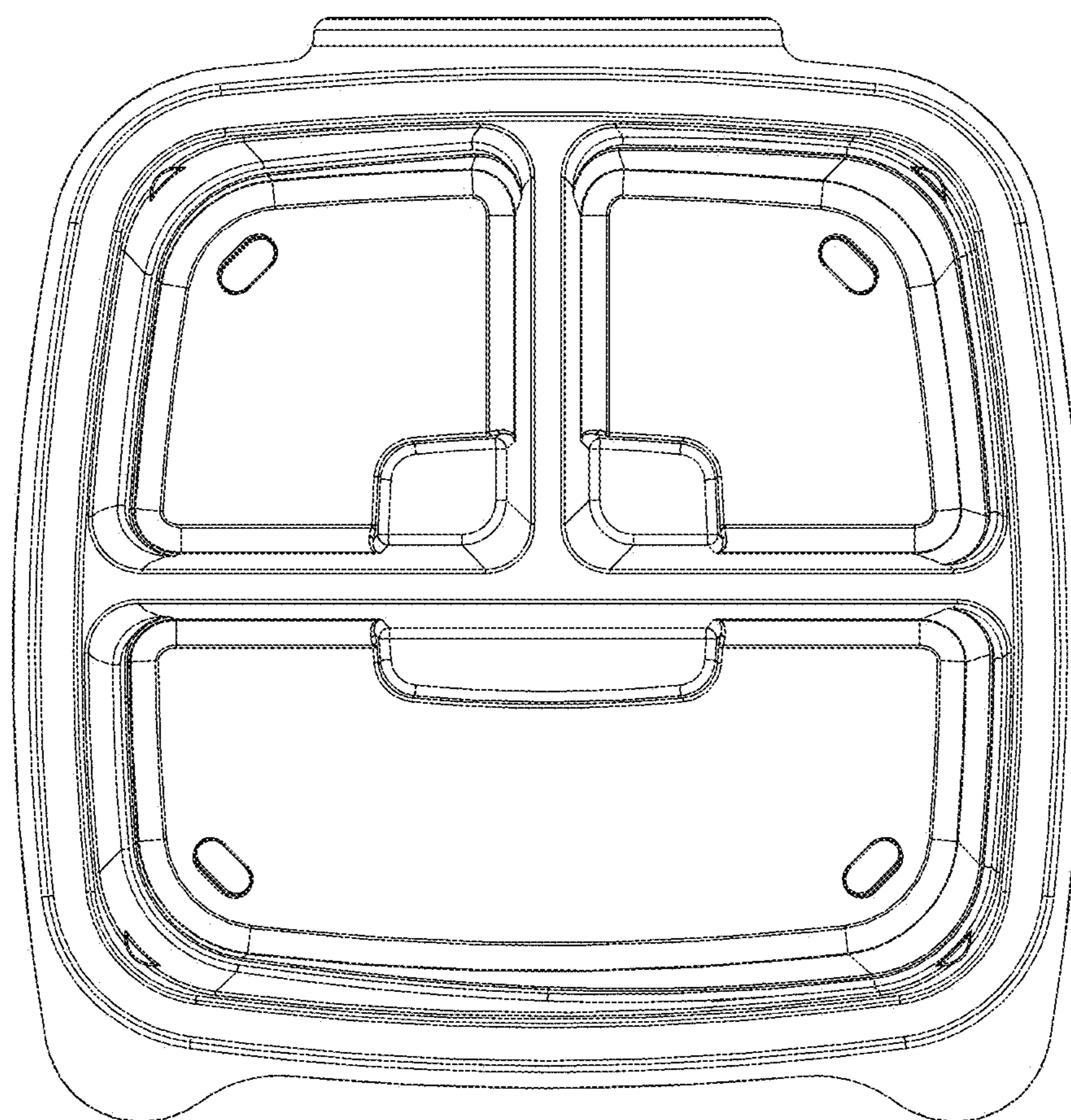


FIG. 23

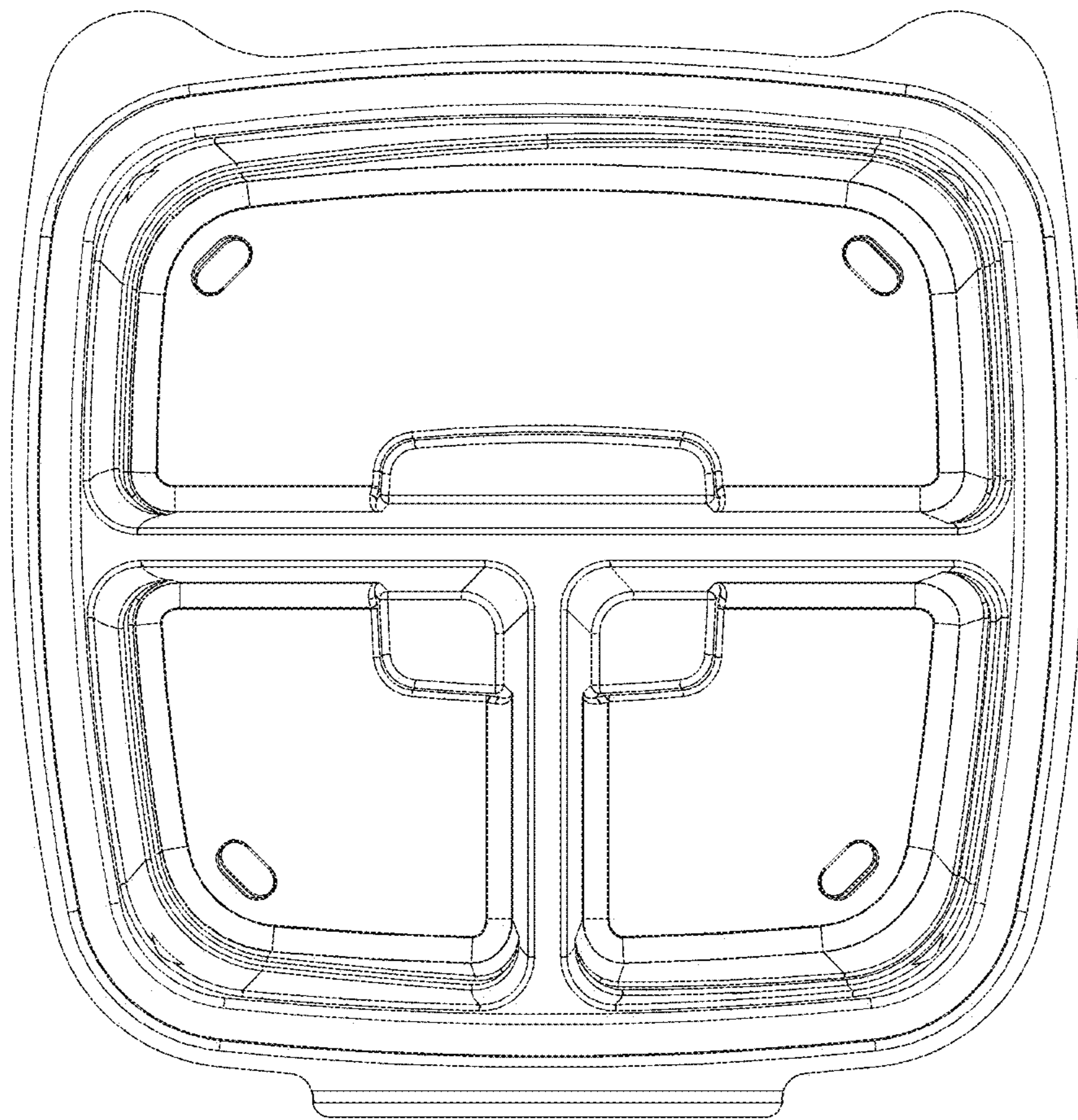


FIG. 24