



US00D897212S

(12) **United States Design Patent**  
**Goodman et al.**

(10) **Patent No.:** **US D897,212 S**  
(45) **Date of Patent:** **\*\* Sep. 29, 2020**

(54) **DISPENSER**

(71) Applicant: **Spectrum Diversified Designs, LLC**,  
Streetsboro, OH (US)

(72) Inventors: **Aaron Goodman**, Beachwood, OH  
(US); **Megan Dittrich**, Twinsburg, OH  
(US)

(73) Assignee: **SPECTRUM DIVERSIFIED  
DESIGNS, LLC**, Streetsboro, OH (US)

(\*\*) Term: **15 Years**

(21) Appl. No.: **29/669,303**

(22) Filed: **Nov. 7, 2018**

(51) **LOC (12) Cl.** ..... **09-01**

(52) **U.S. Cl.**  
USPC ..... **D9/523**; D6/542

(58) **Field of Classification Search**  
USPC ..... D9/454, 501, 504, 519, 521, 523, 529,  
D9/542, 549, 550, 551, 558, 564, 574,  
D9/575, 522; D7/330.1, 665, 679;  
D6/515, 542; D3/202, 203.1, 203.2, 302;  
D19/93, 86, 75; D28/4, 8, 76, 91, 78, 79,  
D28/82; D1/102, 105; D26/7  
CPC ..... A45D 40/0068; A45D 40/00; A45D  
2040/0012; A45D 40/12; A45D 40/16;  
B65D 1/0223; B65D 2501/0081; B65D  
79/005; B29C 66/71; A61J 1/03; Y10S  
220/34; Y10S 206/80

See application file for complete search history.

(56) **References Cited**

U.S. PATENT DOCUMENTS

2,082,614 A \* 6/1937 Brodrick ..... B65D 3/04  
229/121  
2,985,289 A \* 5/1961 U Ren ..... A47K 7/00  
206/229  
D429,640 S \* 8/2000 Nielsen ..... D9/454

D530,953 S \* 10/2006 Turner ..... D6/542  
D531,844 S \* 11/2006 Snell ..... D6/542  
D556,407 S \* 11/2007 Snell ..... D19/75  
D563,704 S \* 3/2008 Snell ..... D6/542  
D719,458 S \* 12/2014 Handy ..... D9/574  
D831,997 S \* 10/2018 Snell ..... D6/542  
D869,194 S \* 12/2019 Joseph ..... D6/542

OTHER PUBLICATIONS

The Johnsons, Jul. 25, 2017, Amazon.com review post Matte Ceramic Liquid Soap Dispenser with Sponge, Caddy [https://www.amazon.com/Umbr-Joey-Dispenser-Caddy-Built/dp/B01NCO285I/ref=sr\\_1\\_32?dchild=1&keywords=Soap%2BDispenser%2Bwith%2BSponge%2BHolder&qid=1591191843&s=home-garden&sr=1-32&th=1](https://www.amazon.com/Umbr-Joey-Dispenser-Caddy-Built/dp/B01NCO285I/ref=sr_1_32?dchild=1&keywords=Soap%2BDispenser%2Bwith%2BSponge%2BHolder&qid=1591191843&s=home-garden&sr=1-32&th=1) (Year: 2017).\*

Cora Triangle Sink Sponge & Brush Holder | Spectrum Diversified web page, <https://www.spectrumdiversified.com/products/cora-triangle-sink-sponge-brush-holder>, dated Oct. 19, 2018, 1 page.

\* cited by examiner

*Primary Examiner* — Michael C Stout

*Assistant Examiner* — Rani J Abdallah

(74) *Attorney, Agent, or Firm* — Tucker Ellis LLP

(57) **CLAIM**

The ornamental design for a dispenser, as shown and described.

**DESCRIPTION**

FIG. 1 is a perspective view of a dispenser showing our new design.

FIG. 2 is a left side view thereof.

FIG. 3 is a right side view thereof.

FIG. 4 is a front view thereof.

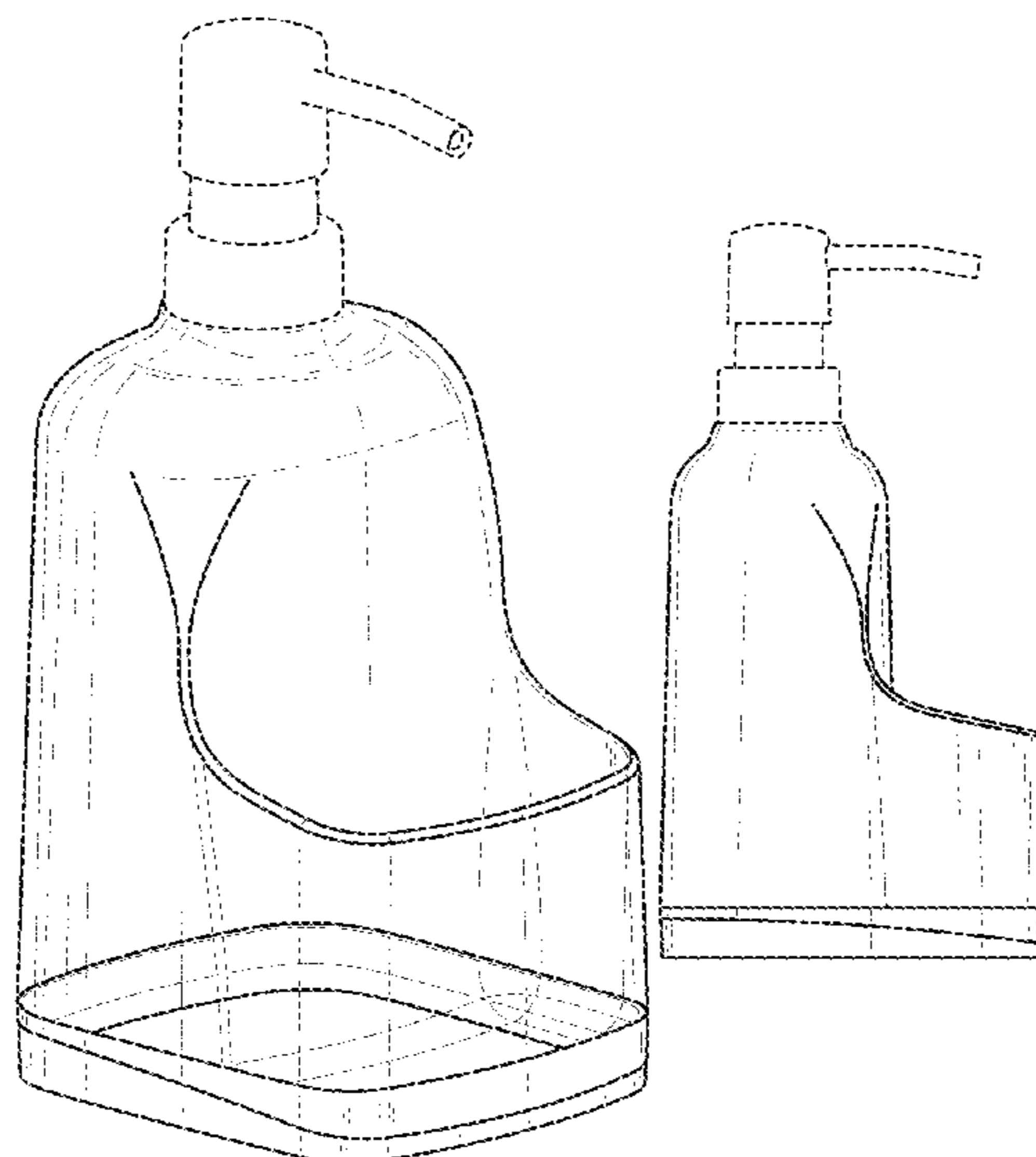
FIG. 5 is a rear view thereof.

FIG. 6 is a top view thereof; and,

FIG. 7 is a bottom view thereof.

The broken lines show portions of the design that form no part of the claimed design.

**1 Claim, 4 Drawing Sheets**



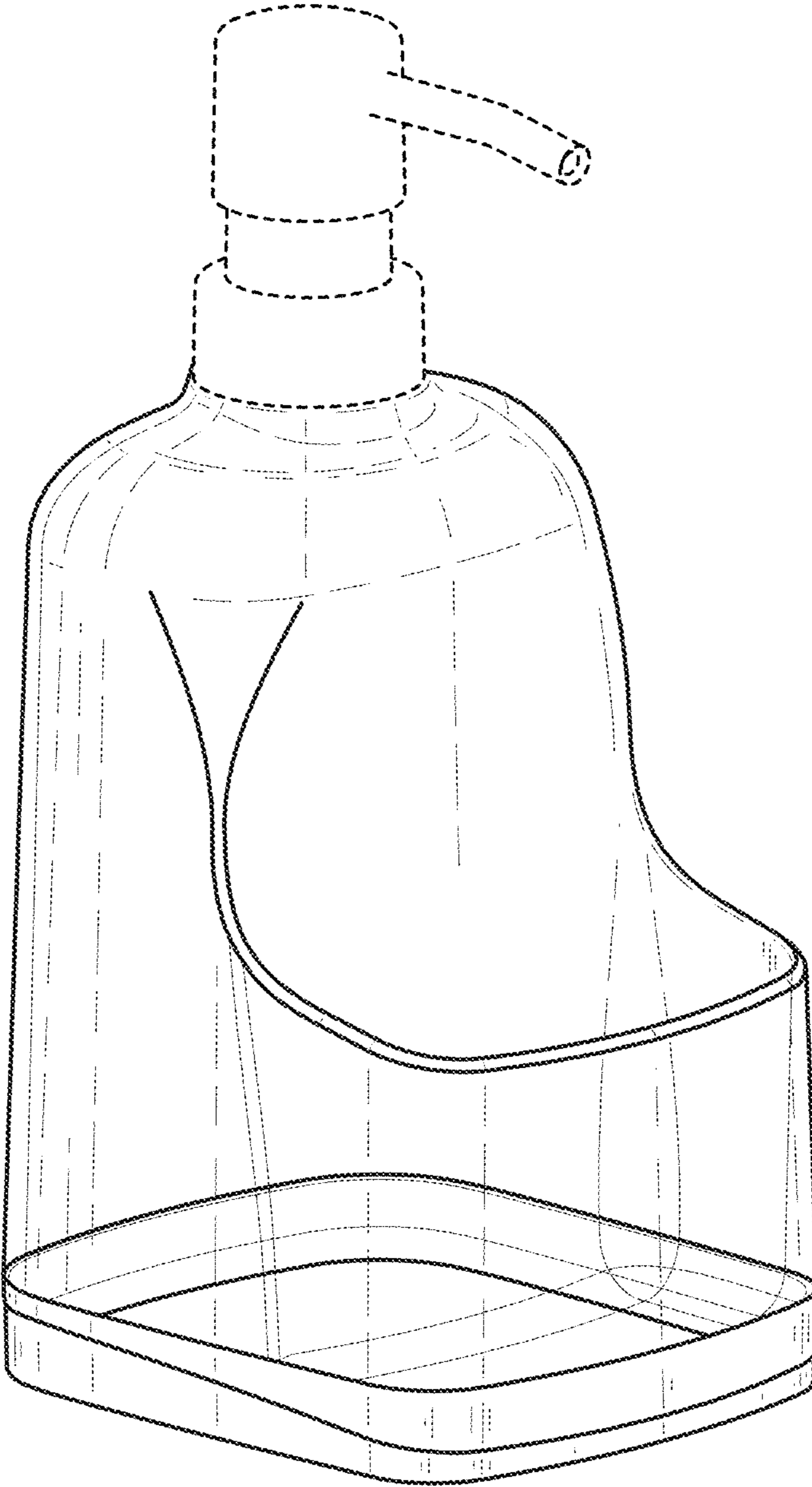


FIG. 1

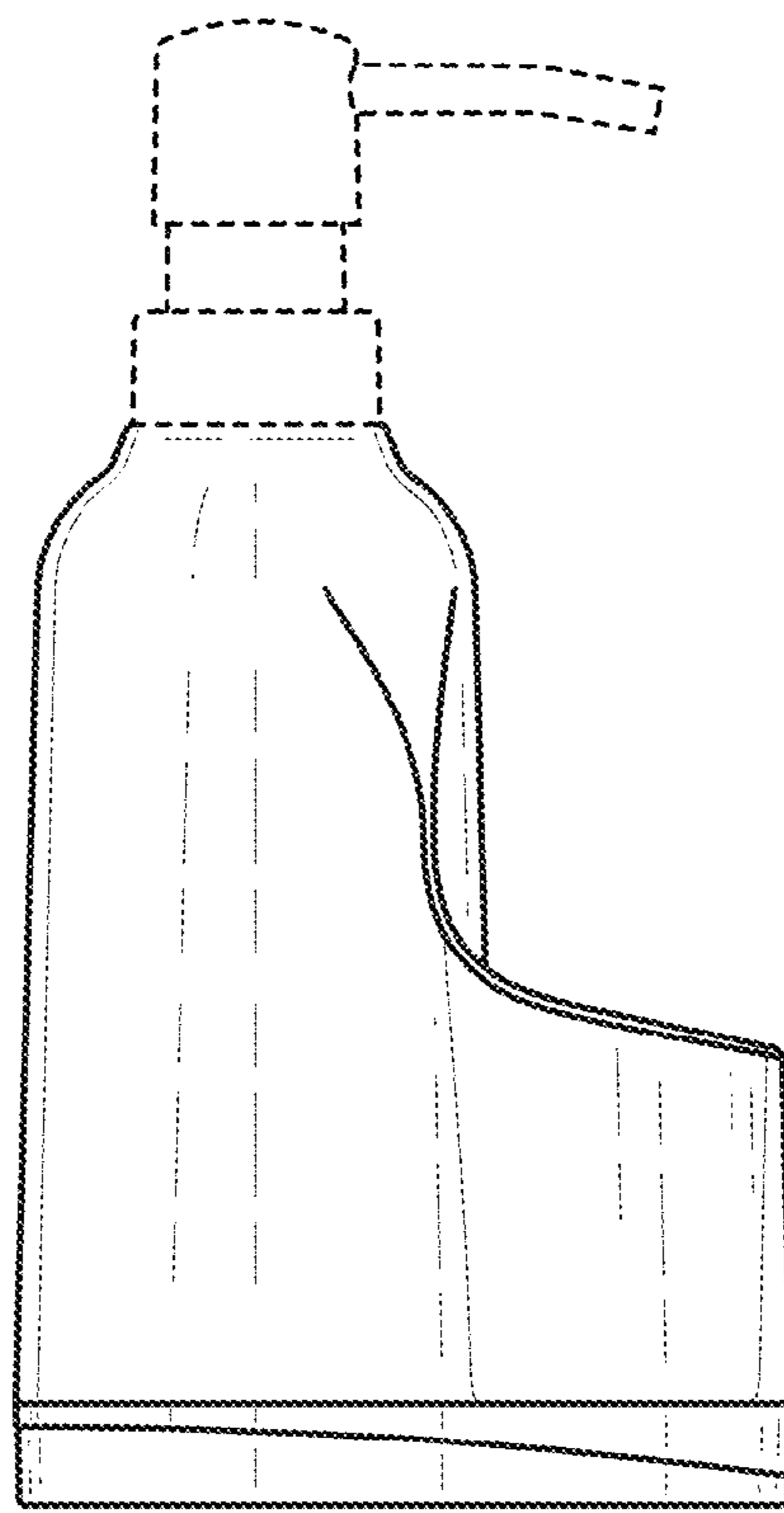


FIG. 2

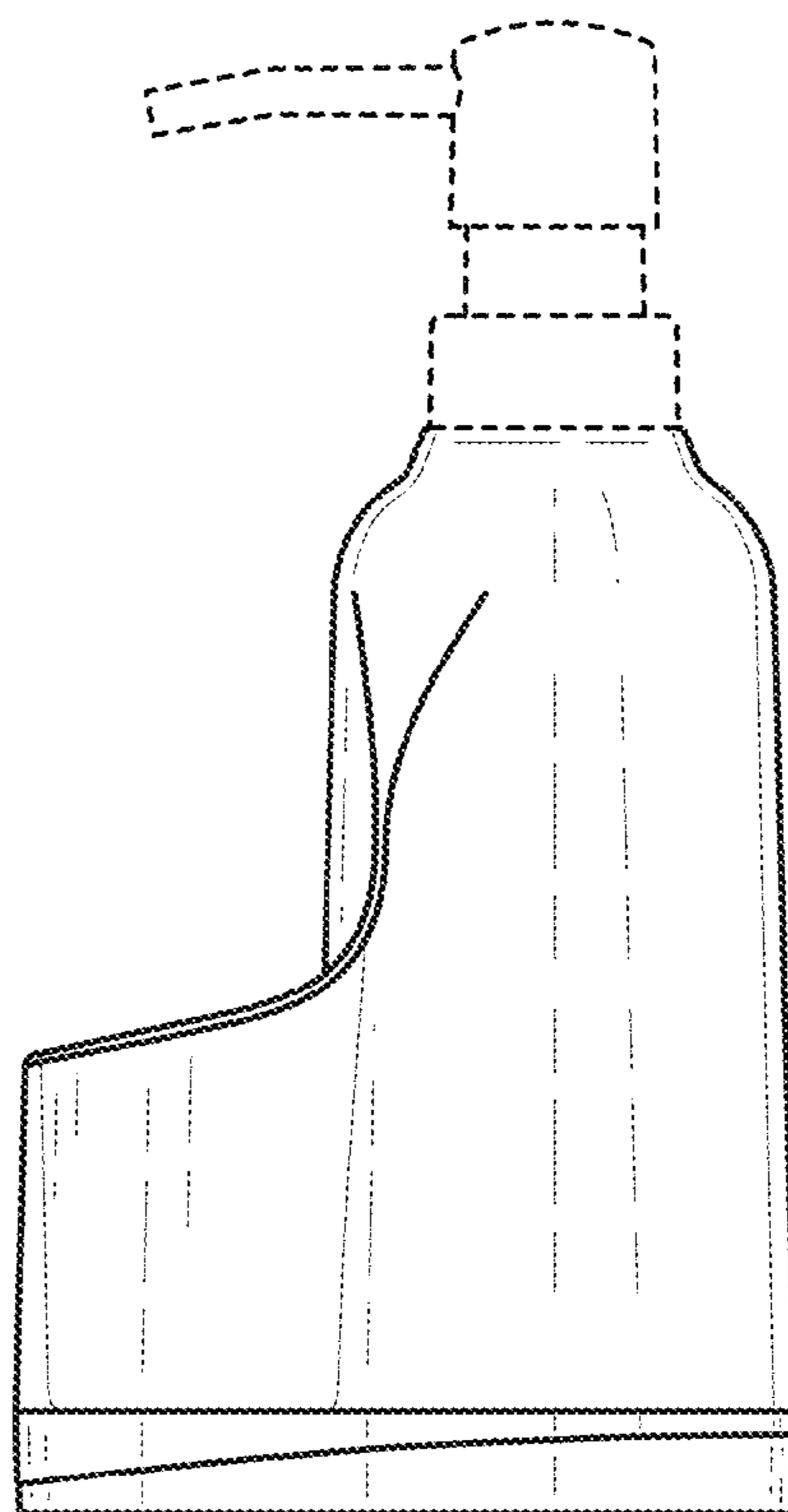


FIG. 3

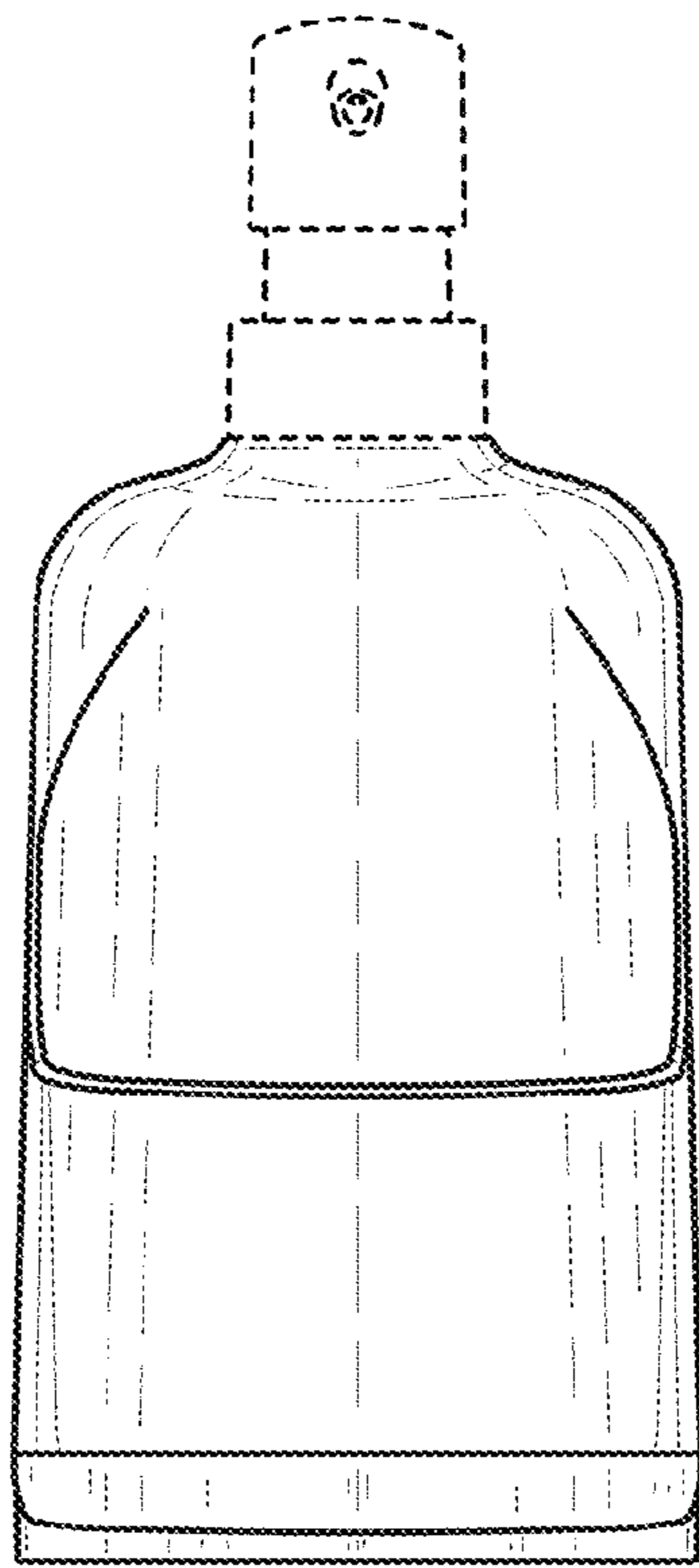


FIG. 4

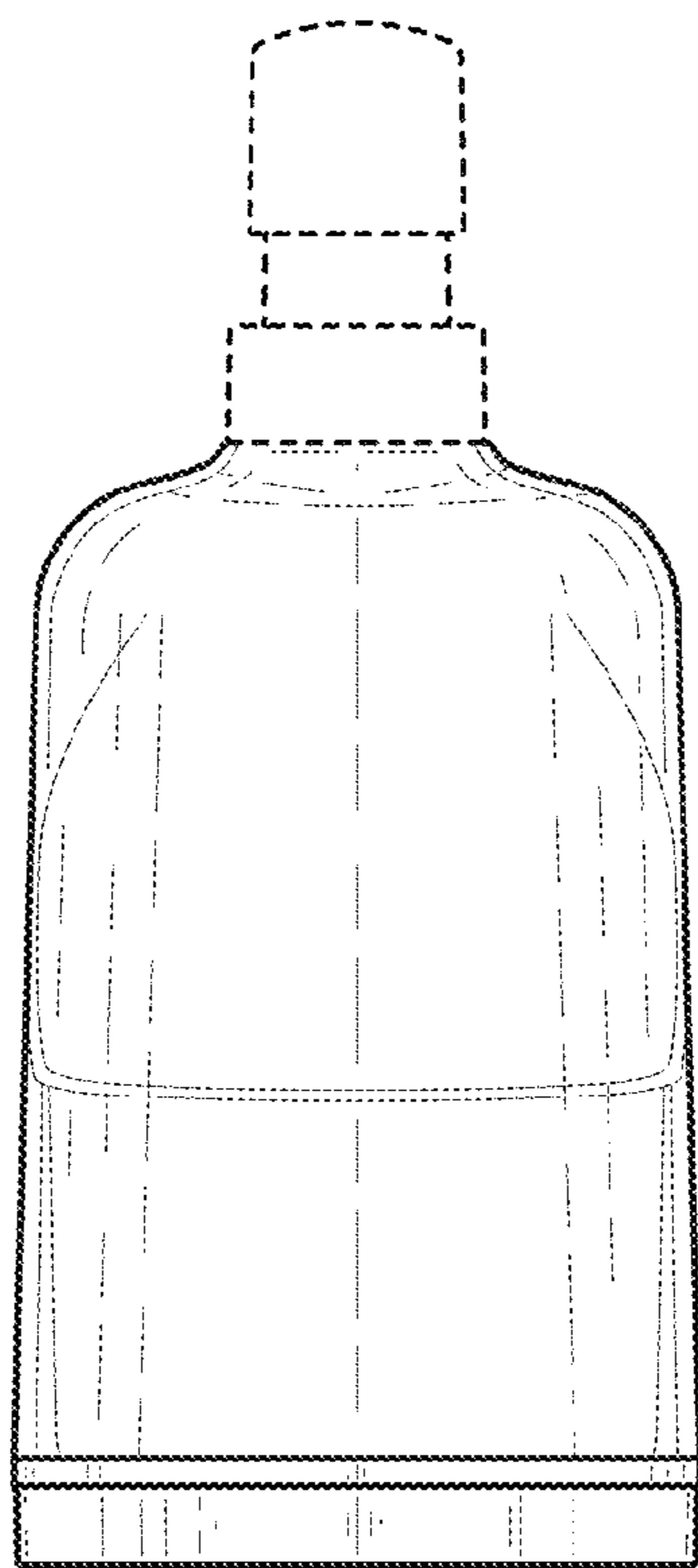


FIG. 5

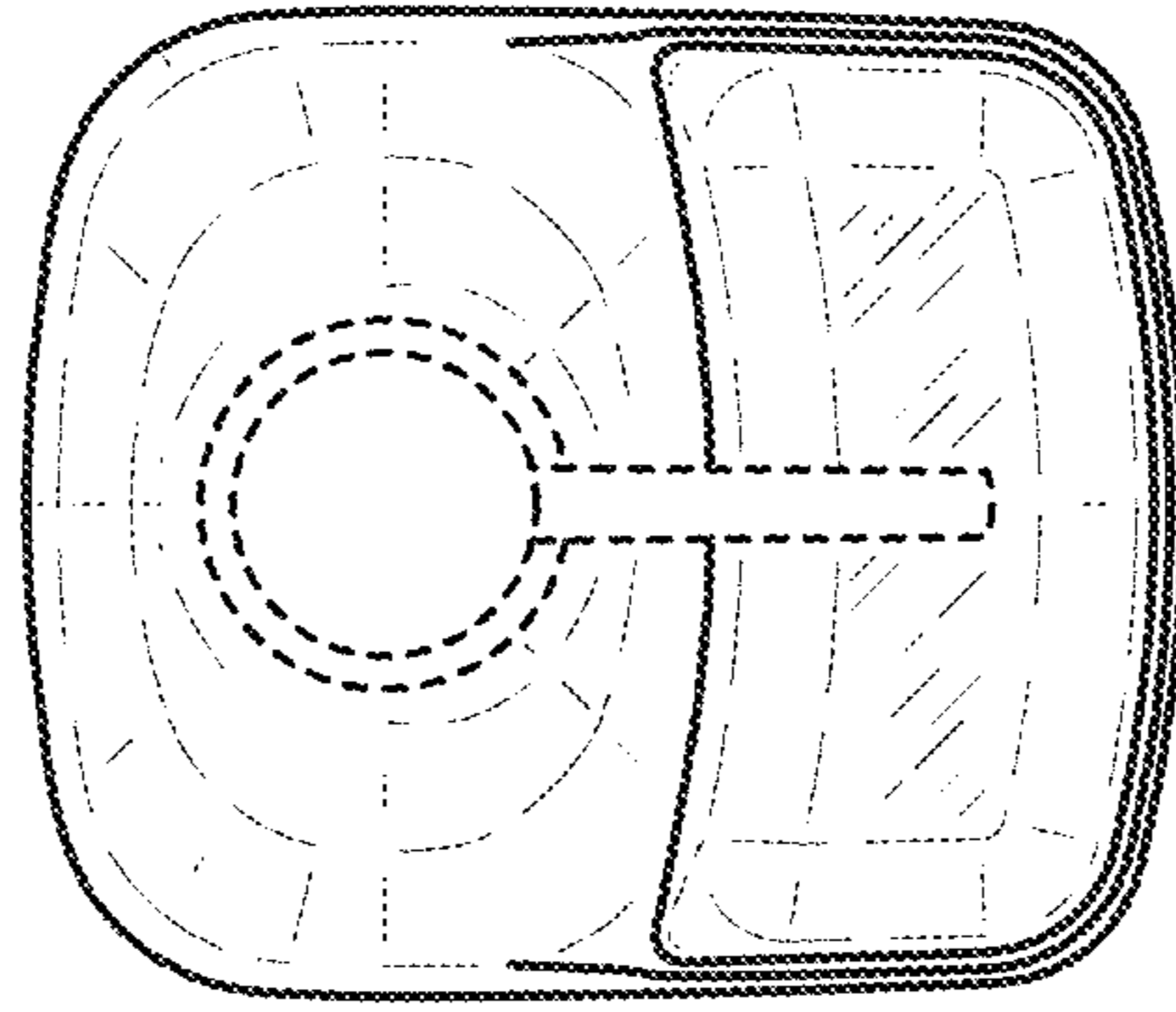


FIG. 6

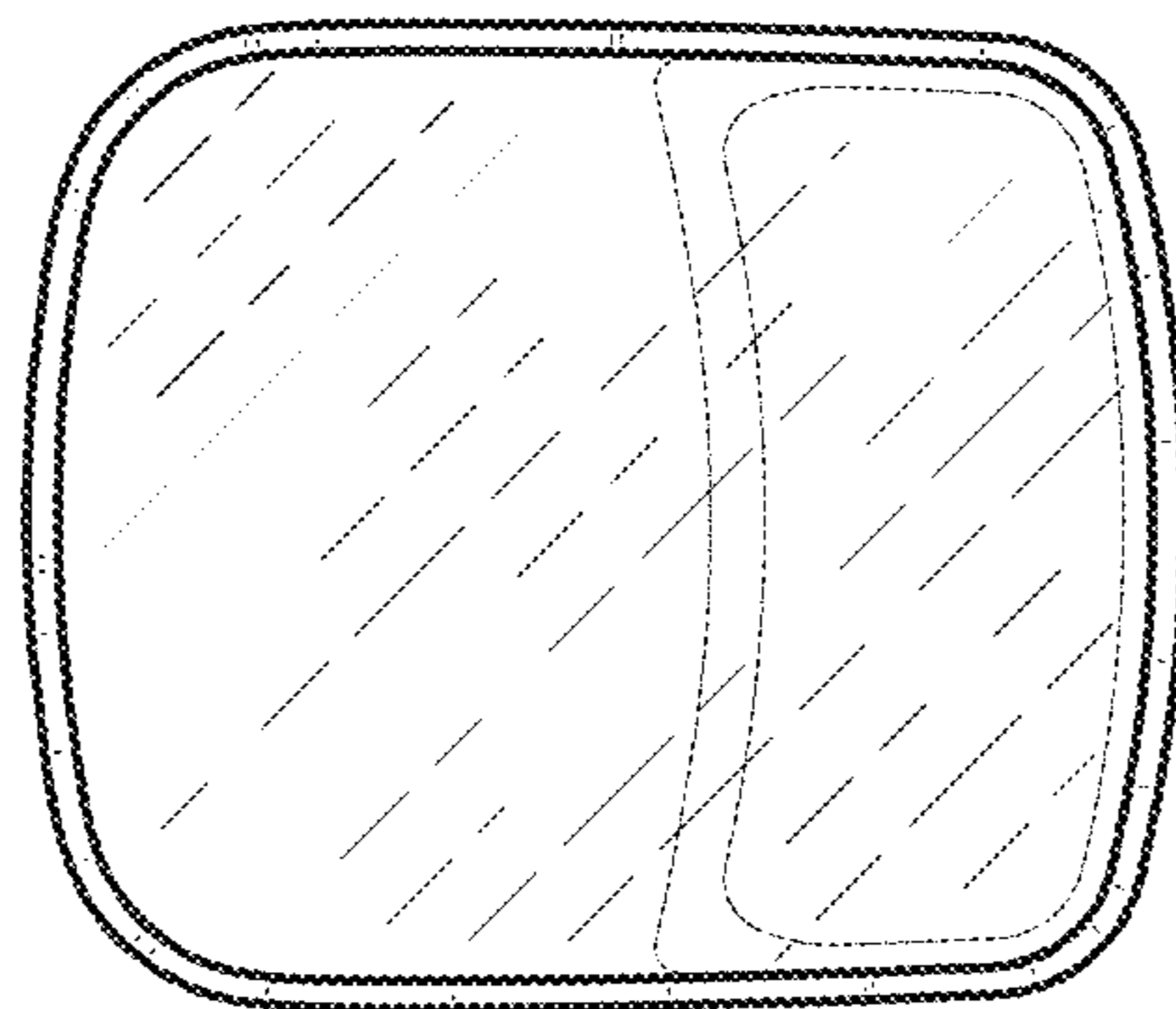


FIG. 7