



US00D897211S

(12) **United States Design Patent** (10) **Patent No.:** **US D897,211 S**
Wanders (45) **Date of Patent:** **** Sep. 29, 2020**

(54) **PACKAGING CONTAINER**

(71) Applicant: **WONDERS HOLDING BV**,
Amsterdam (NL)

(72) Inventor: **Marcel Wanders**, Amsterdam (NL)

(73) Assignee: **WONDERS HOLDING BV**,
Amsterdam (NL)

(**) Term: **15 Years**

(21) Appl. No.: **29/632,684**

(22) Filed: **Jan. 9, 2018**

(30) **Foreign Application Priority Data**

Nov. 10, 2017 (JP) 2017-025160

(51) **LOC (12) Cl.** **09-01**

(52) **U.S. Cl.**
USPC **D9/503**; D9/454

(58) **Field of Classification Search**
USPC D9/434-435, 444-445, 454, 500,
D9/503-504, 516, 549, 552, 558, 682,
D9/690-691, 715, 719, 724; D28/76, 88
CPC B65D 1/00; B65D 1/02; B65D 1/0223;
B65D 23/00; B65D 51/32; B65D
2501/00; B65D 2501/0009

See application file for complete search history.

(56) **References Cited**

U.S. PATENT DOCUMENTS

D448,121	S	*	9/2001	Gebb	D28/88
D464,773	S	*	10/2002	Fischer	D28/76
D554,291	S	*	10/2007	Darnell	D19/163
D735,946	S	*	8/2015	Ko	D28/76
D865,298	S	*	10/2019	Wanders	D28/88

* cited by examiner

Primary Examiner — Dana Meyrow

(74) *Attorney, Agent, or Firm* — Bacon & Thomas, PLLC

(57) **CLAIM**

I claim the ornamental design for a packaging container, as shown and described.

DESCRIPTION

FIG. 1 is a perspective view of a packaging container.
FIG. 2 is a perspective view showing the lid off thereof.
FIG. 3 is a front view thereof.
FIG. 4 is a rear view thereof.
FIG. 5 is a top plan view thereof.
FIG. 6 is a bottom plan view thereof.
FIG. 7 is a right side view thereof.
FIG. 8 is a left side view thereof; and,
FIG. 9 is a sectional view taken along line 9-9 of FIG. 3 thereof.

In the drawings, the broken lines are for illustrative purposes only and form no part of the claimed design.

1 Claim, 9 Drawing Sheets

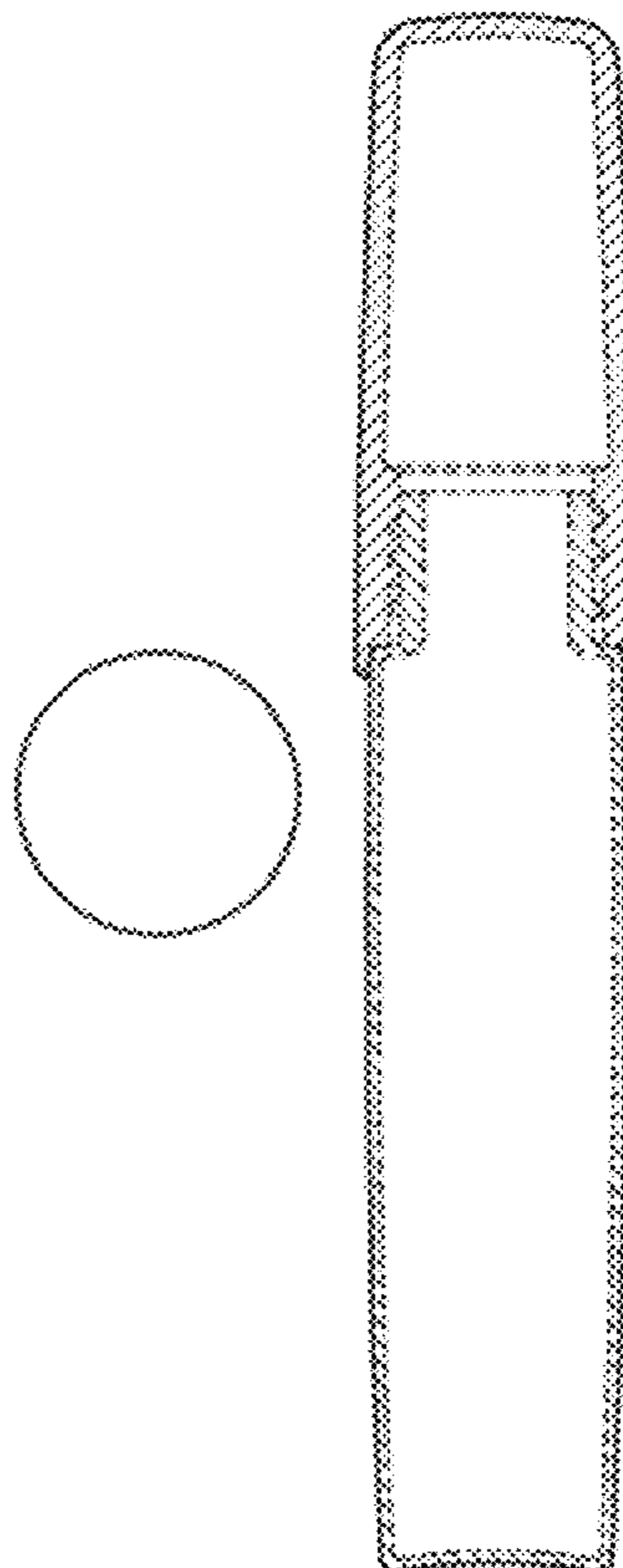


FIG. 1

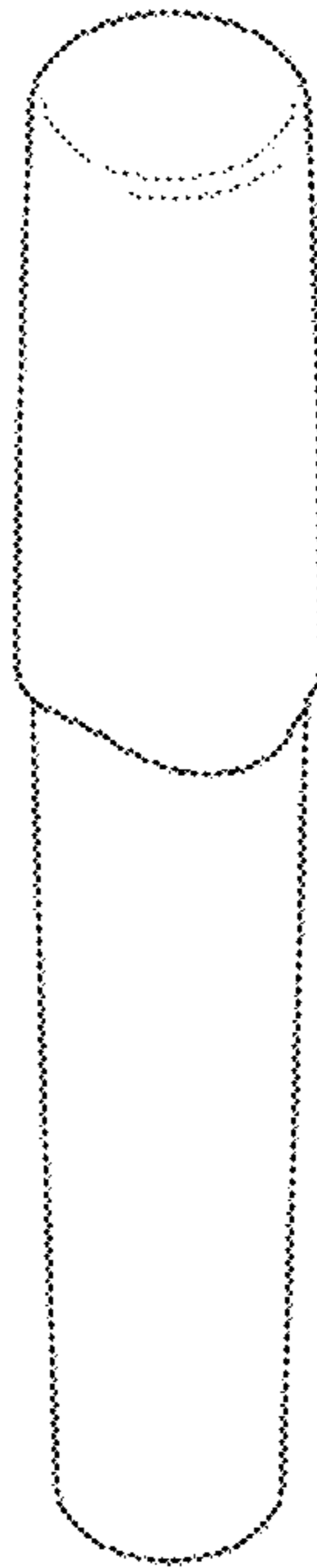


FIG. 2

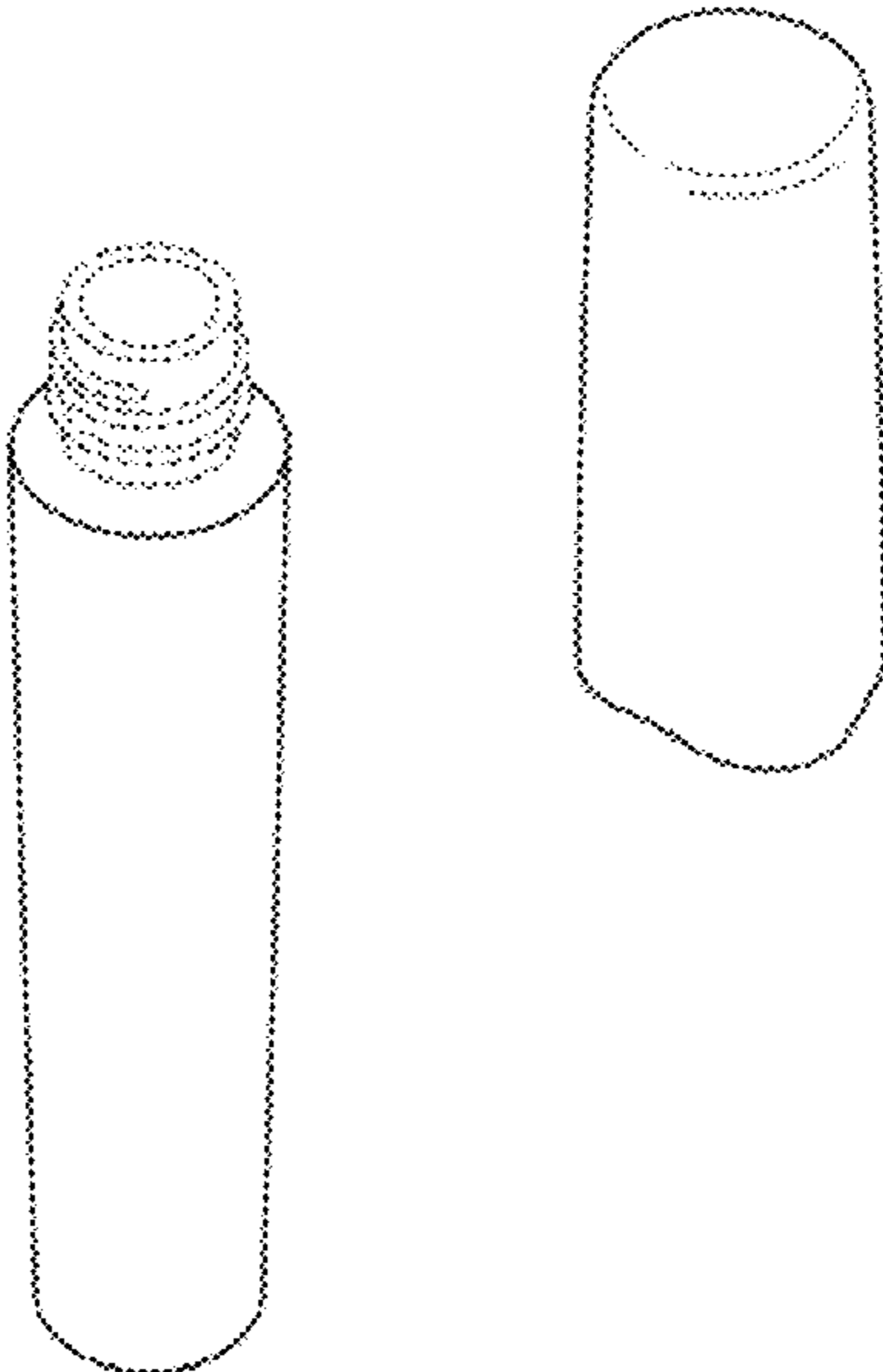


FIG. 3

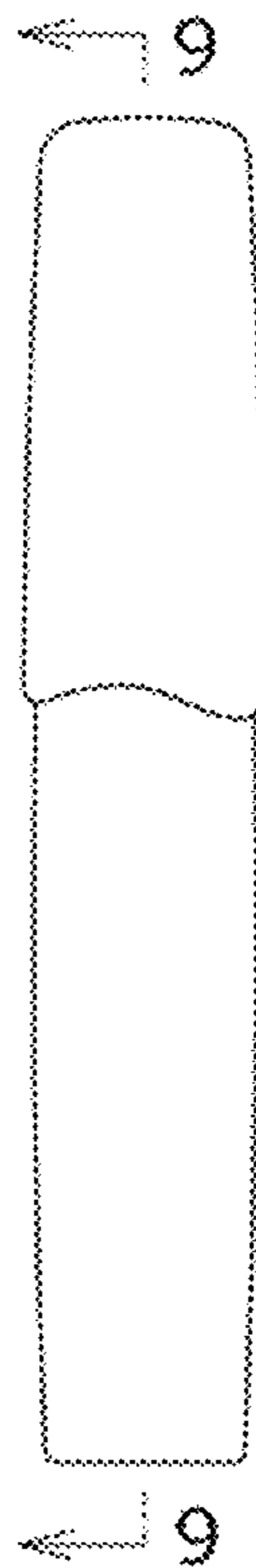


FIG. 4

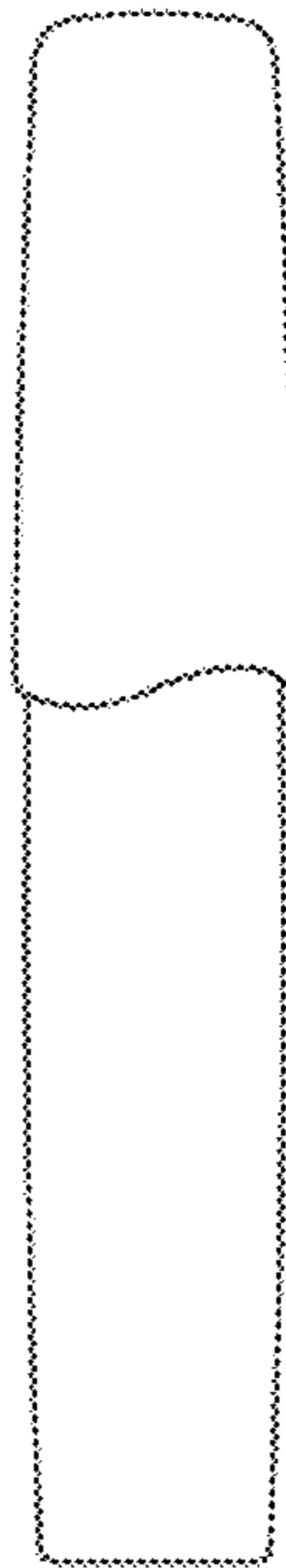


FIG. 5

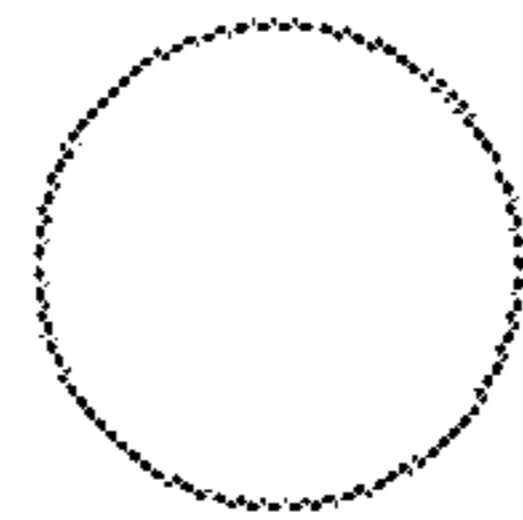


FIG. 6

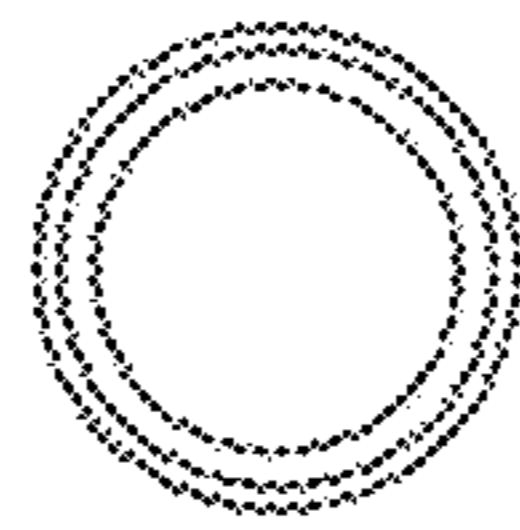


FIG. 7

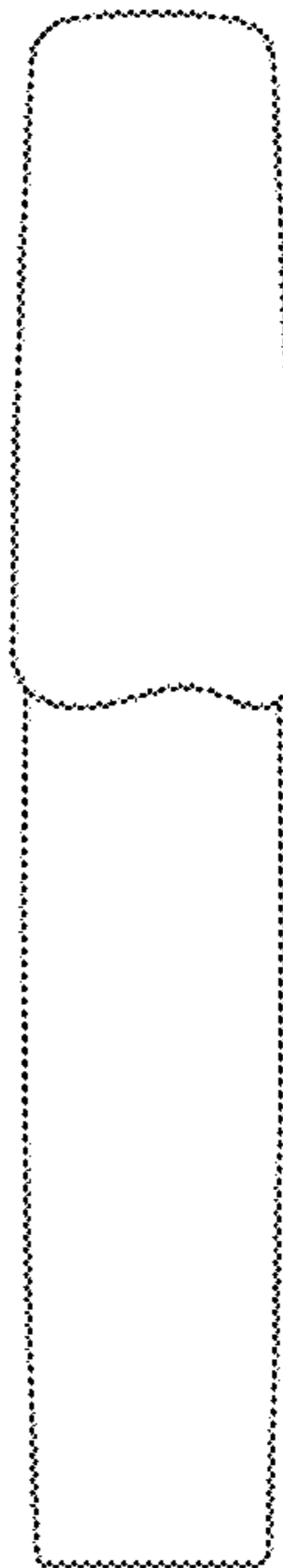


FIG. 8

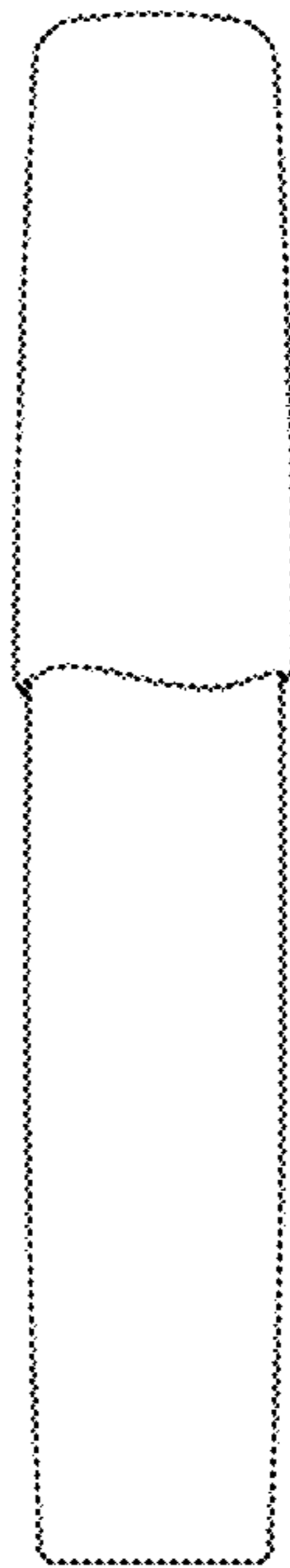


FIG. 9

