

US00D897207S

(12) **United States Design Patent** (10) **Patent No.:** **US D897,207 S**
Marino (45) **Date of Patent:** **** Sep. 29, 2020**

(54) **BOTTLE CAP**

A45D 34/02; A45D 34/06; A45D
2200/051; A45D 2200/05; A45D
2200/052

(71) Applicant: **Joseph Marino**, Island Park, NY (US)

See application file for complete search history.

(72) Inventor: **Joseph Marino**, Island Park, NY (US)

(**) Term: **15 Years**

(56) **References Cited**

(21) Appl. No.: **29/687,036**

U.S. PATENT DOCUMENTS

(22) Filed: **Apr. 10, 2019**

D240,595 S * 7/1976 Kress D9/452
4,664,273 A * 5/1987 Simon B65D 41/0471
215/203

(51) **LOC (12) Cl.** **09-07**

D405,695 S * 2/1999 Zelmo D9/453
(Continued)

(52) **U.S. Cl.**

USPC **D9/452**

(58) **Field of Classification Search**

OTHER PUBLICATIONS

USPC D6/512, 515, 542, 543; D7/509, 510,
D7/511, 300, 312, 313, 619.1, 387, 391,
D7/392, 392.1, 393, 396.1, 396.2, 397,
D7/398, 900; D9/434, 435, 439, 440,
D9/443, 444, 445, 447, 448, 449, 450,
D9/452, 453, 454, 682, 685, 686, 688,
D9/689, 690, 707, 708, 723, 724;
D23/206, 213, 214, 226, 227, 249, 259,
D23/260, 261; D24/112, 113, 127, 162,
D24/193, 197, 199; D28/4, 76, 77, 84,
D28/85, 91.1

The Amazing Flip it Bottle: Site Visited [Mar. 20, 2020]. Available
from Internet URL: https://www.amazon.com/Amazing-Flip-Bottle-never-another/dp/B07SSVQ2T6/ref=sr_1_1_sspa?crd=181OGDNRFNH43&keywords=the+amazing+flip+it+bottle&qid=1585601463&prefix=The+amazing+flip+it+%2Caps%2C154&sr.*

Primary Examiner — Catherine S Posthauer

(74) *Attorney, Agent, or Firm* — Carter, DeLuca & Farrell
LLP; Francesco Sardone, Esq.

CPC ... B65D 1/00; B65D 1/02; B65D 1/10; B65D
1/46; B65D 2585/56; B65D 2585/545;
B65D 47/00; B65D 47/06; B65D 47/08;
B65D 5/46; B65D 41/00; B65D 41/34;
B65D 41/0471; B65D 41/122; B65D
41/3438; B65D 41/3428; B65D 53/02;
B65D 23/04; B65D 41/0414; B65D
41/0485; B65D 59/06; B65D 81/3211;
B65D 81/325; B65D 81/3205; B65D
83/753; B65D 83/68; B65D 83/752; B01F
3/0479; B01F 3/0446; B01F 13/002;
A47G 19/26; A47G 19/2266; A47G
19/2205; A47G 19/2272; B65F 1/14;
A47J 27/04; A47J 27/004; A47J 36/24;
A47J 36/2411; A47J 36/2416; A47J
36/2433; A47J 39/00; A47J 39/006; A47J
36/2438; A45D 34/005; A45D 34/04;

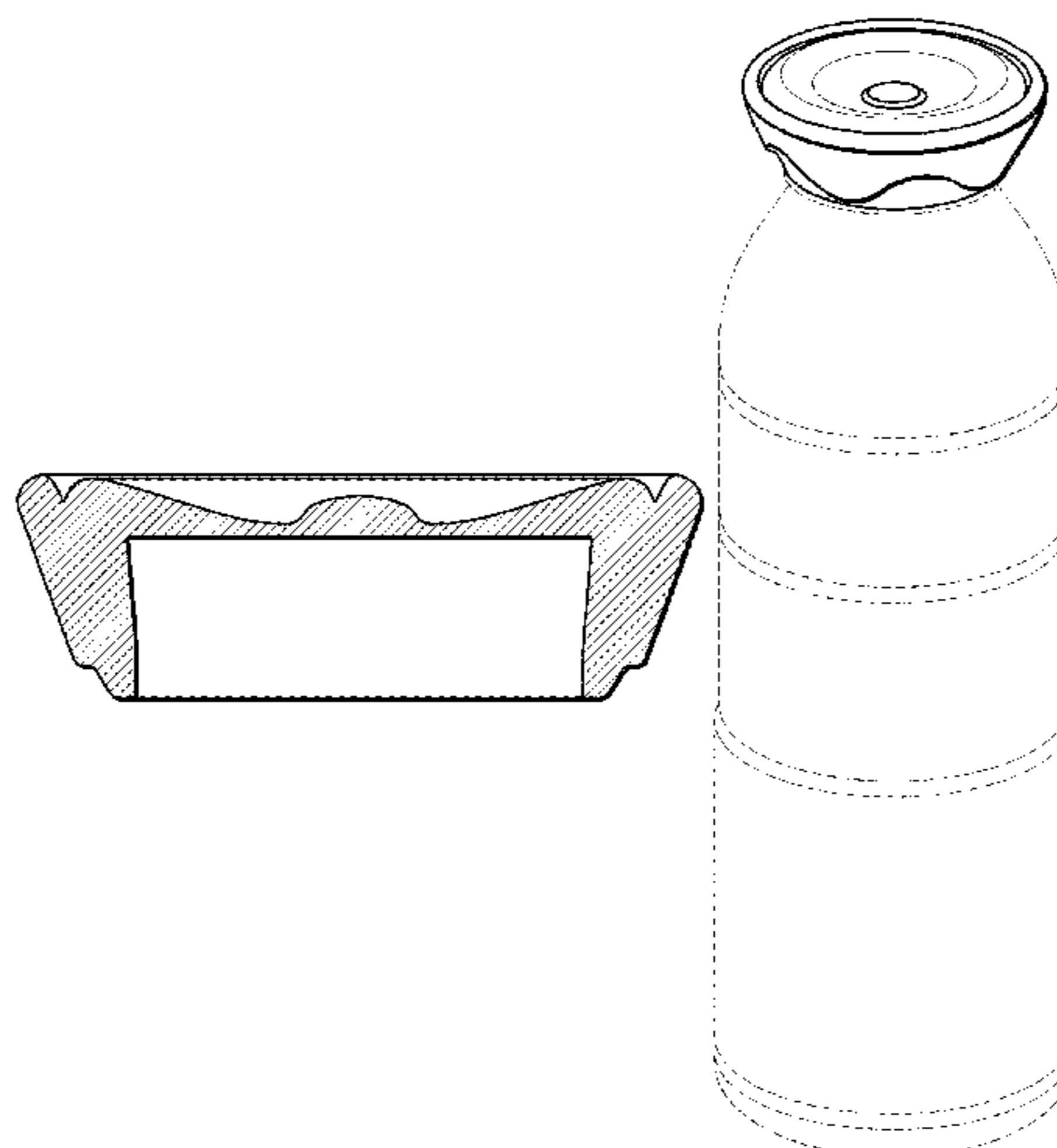
(57) **CLAIM**

The ornamental design for a bottle cap, as shown and
described.

DESCRIPTION

FIG. 1 is a top, perspective view of a bottle cap, showing my
new design;
FIG. 2 is a side elevational view thereof;
FIG. 3 is a top plan view thereof;
FIG. 4 is a bottom plan view thereof;
FIG. 5 is a cross-sectional view of the bottle cap of FIGS.
1-4, taken in the direction of line 5-5 on FIG. 3;
FIG. 6 is a top perspective view of the bottle cap, shown in
a position of use with an exemplary bottle; and,
FIG. 7 is a side elevational view thereof.

(Continued)



The broken lines shown in FIGS. 6 and 7 represent environmental subject matter of an exemplary bottle and form no part of the claimed design.

1 Claim, 4 Drawing Sheets

(56)

References Cited

U.S. PATENT DOCUMENTS

D408,284 S * 4/1999 Ekkert D9/453
D409,089 S * 5/1999 Nguyen D9/452
D443,040 S * 5/2001 Fabian D23/249
D470,566 S * 2/2003 Sciulli D15/126
D520,361 S * 5/2006 Crawford D9/453
D535,879 S * 1/2007 Crawford D9/451
D583,670 S * 12/2008 Lamb D9/454
D590,047 S * 4/2009 Lawyer D23/214
7,802,690 B2 * 9/2010 Lohrman B65D 41/0485
215/252
D631,349 S * 1/2011 Arnell D9/452
D677,523 S * 3/2013 Blckert D7/392.1

D708,950 S * 7/2014 Zeid D9/453
D711,227 S * 8/2014 Sheikh D9/435
D720,596 S * 1/2015 Dams D8/312
D756,221 S * 5/2016 Koop D9/453
D784,072 S * 4/2017 Baron D7/392.1
D813,671 S * 3/2018 Arthur, IV D9/452
D820,037 S * 6/2018 Ivankovic B65D 21/0233
D7/391
D834,879 S * 12/2018 Krivos D7/391
D846,987 S * 4/2019 Neputy D9/453
D860,787 S * 9/2019 Krokoko D9/435
D871,906 S * 1/2020 Ramsey D9/454
2005/0006334 A1 * 1/2005 Luker B65D 41/0414
215/334
2007/0090080 A1 * 4/2007 Lohrman B65D 41/0485
215/305
2012/0031142 A1 * 2/2012 Marton A61F 7/10
62/530
2015/0157535 A1 * 6/2015 Frishman A61J 1/1412
604/403
2016/0152408 A1 * 6/2016 Fuchs B65D 47/242
426/115
2018/0297742 A1 * 10/2018 Dube B65D 1/36

* cited by examiner

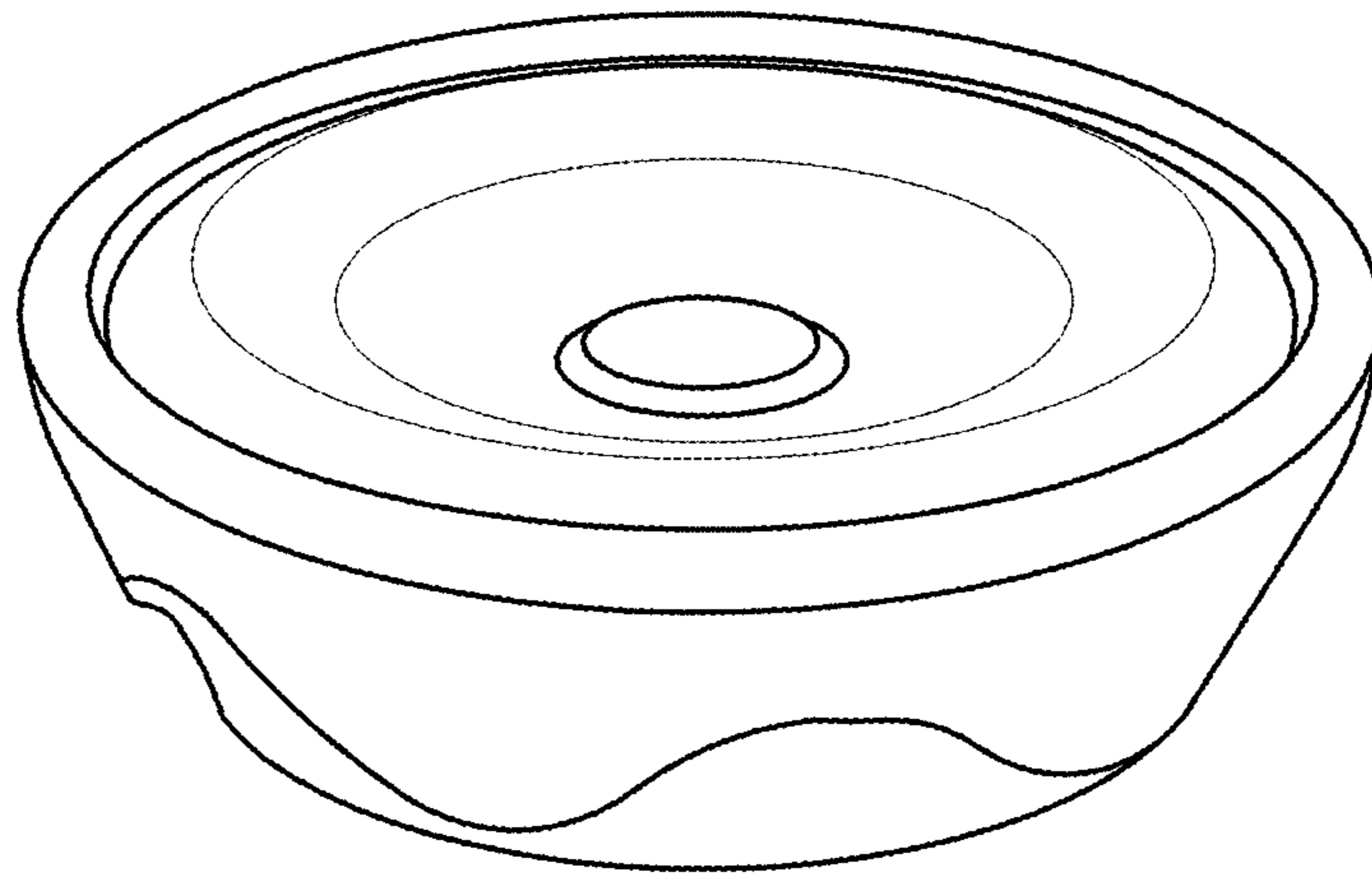


FIG. 1

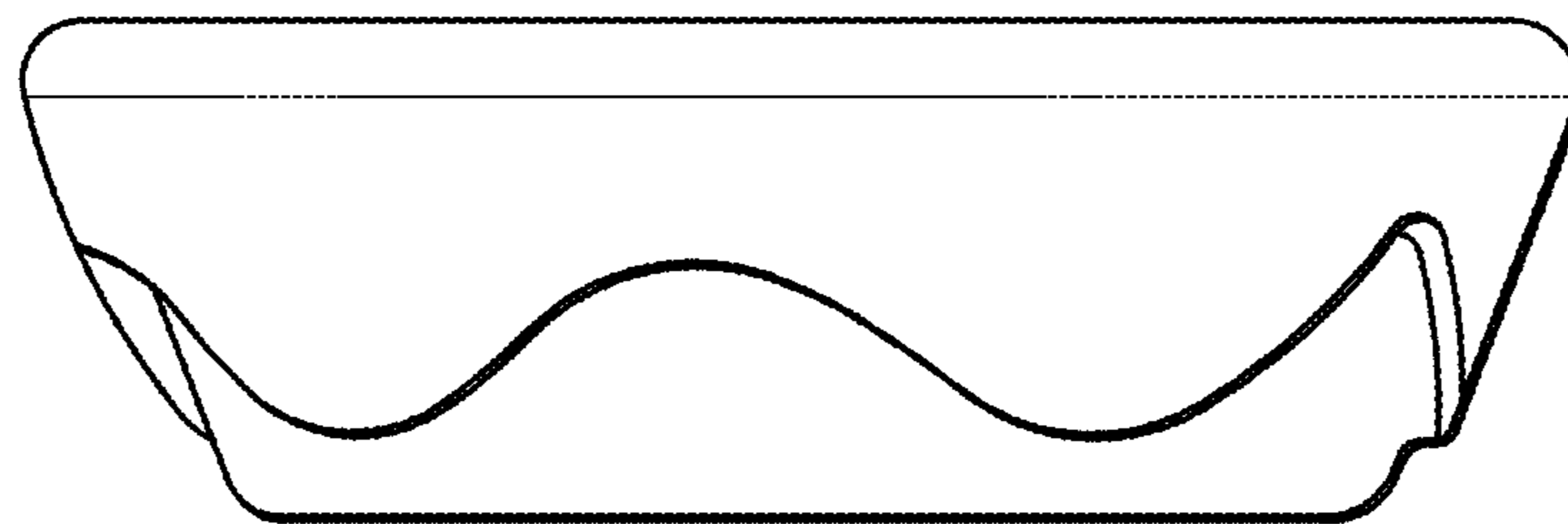


FIG. 2

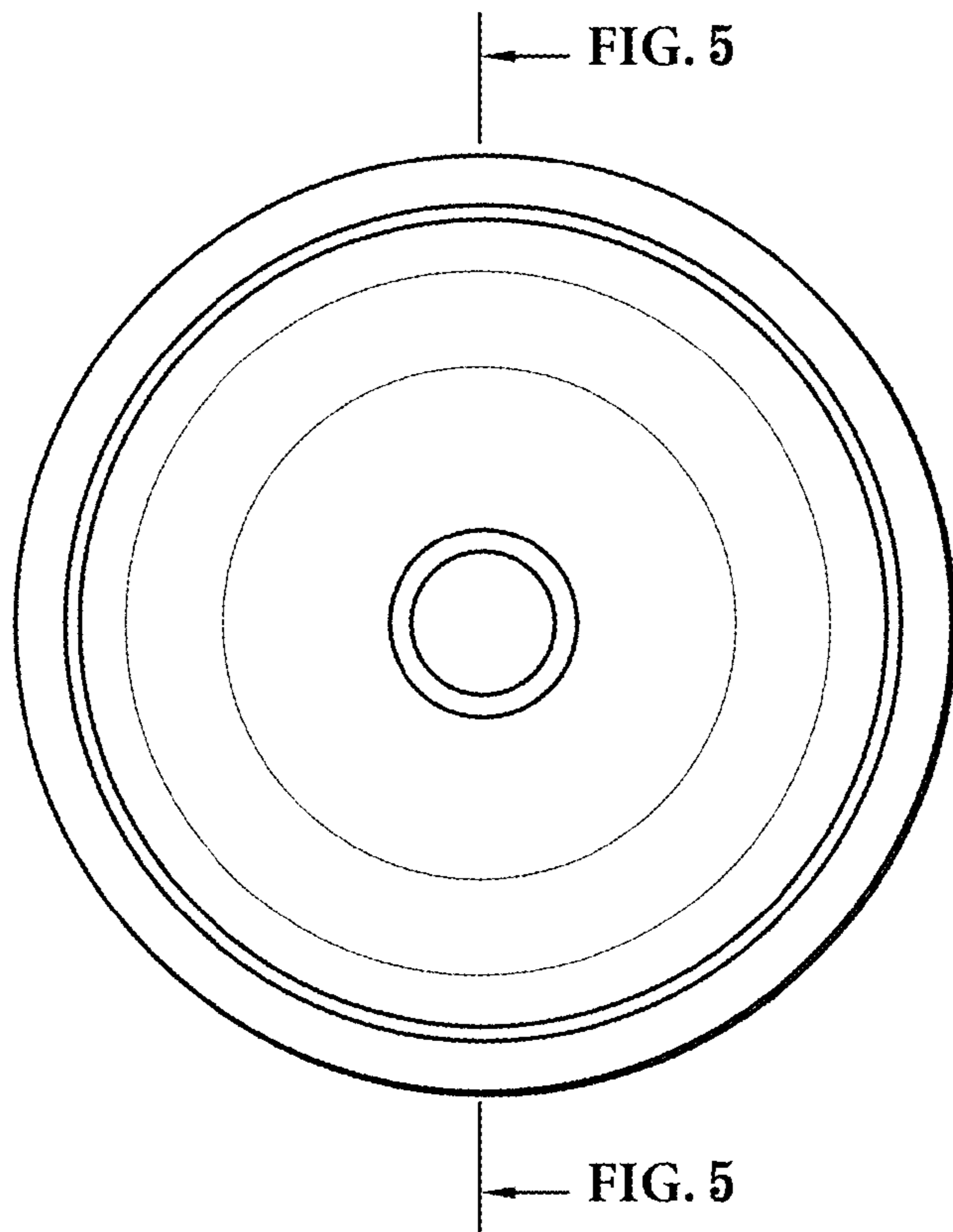


FIG. 3

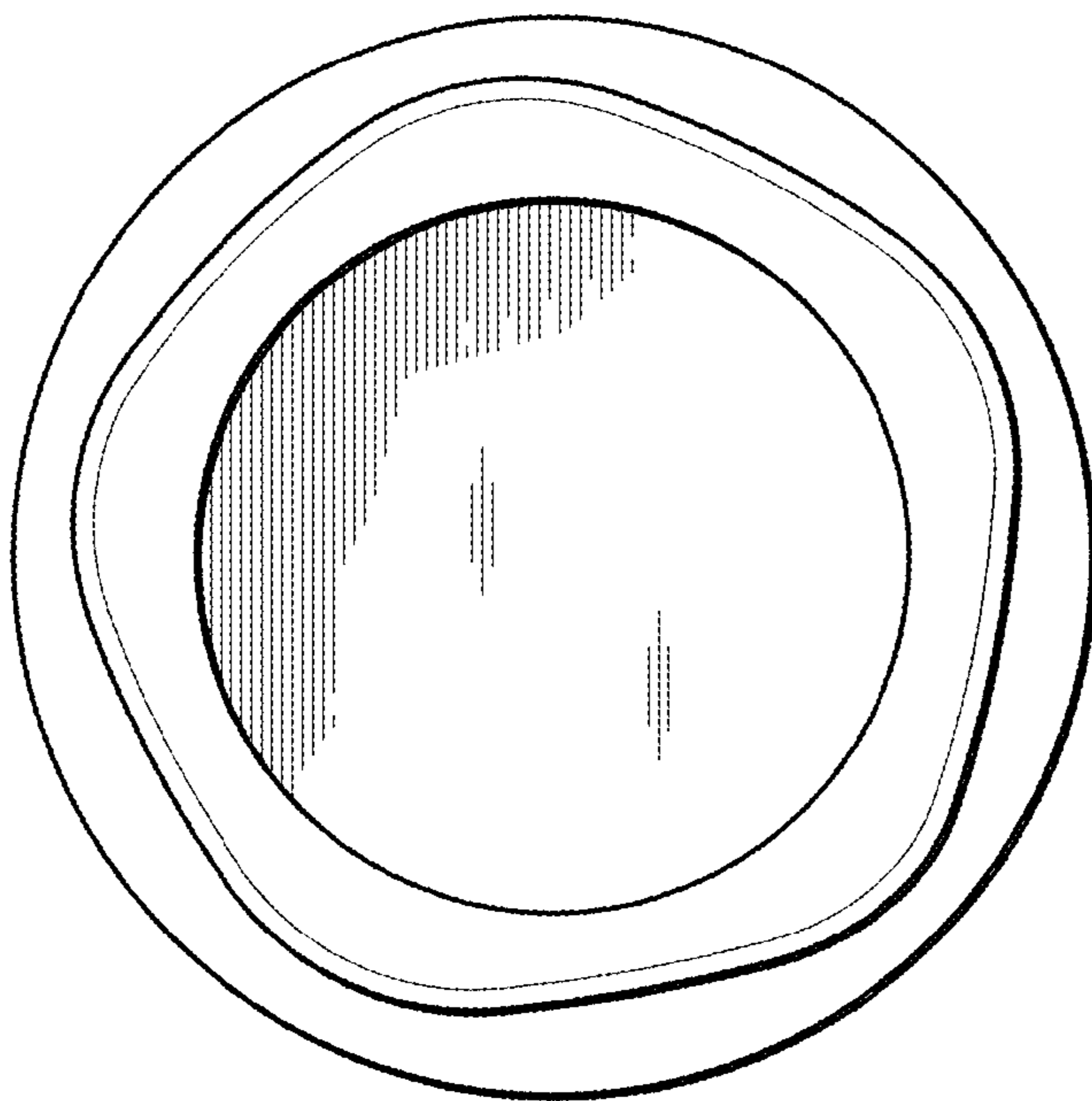


FIG. 4

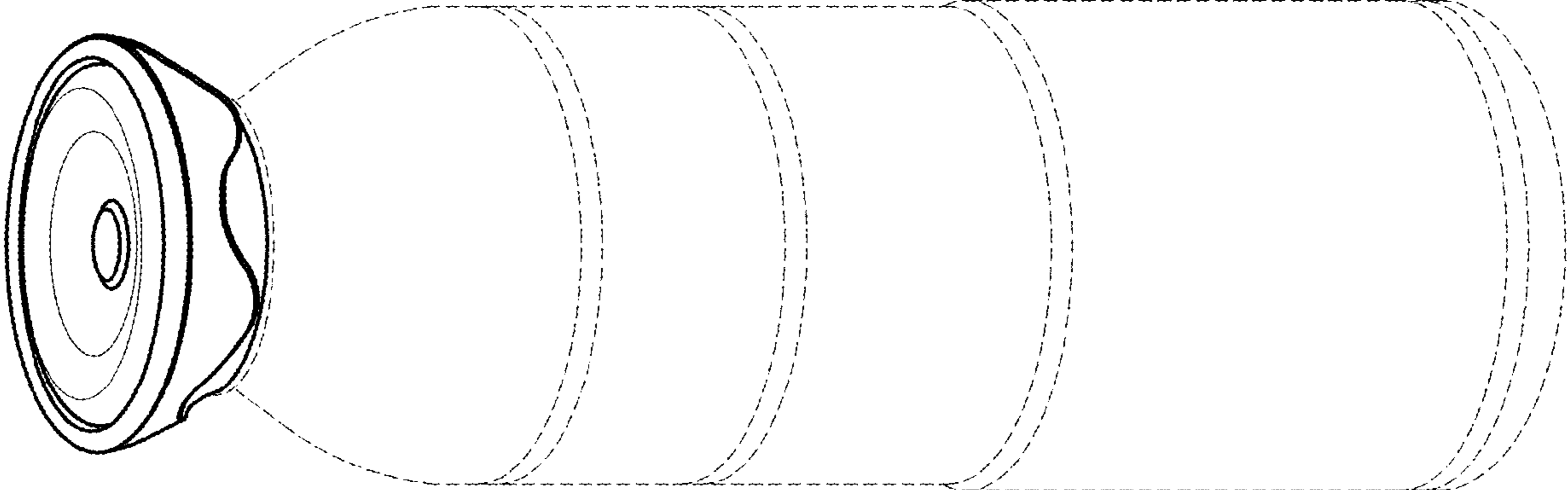


FIG. 6

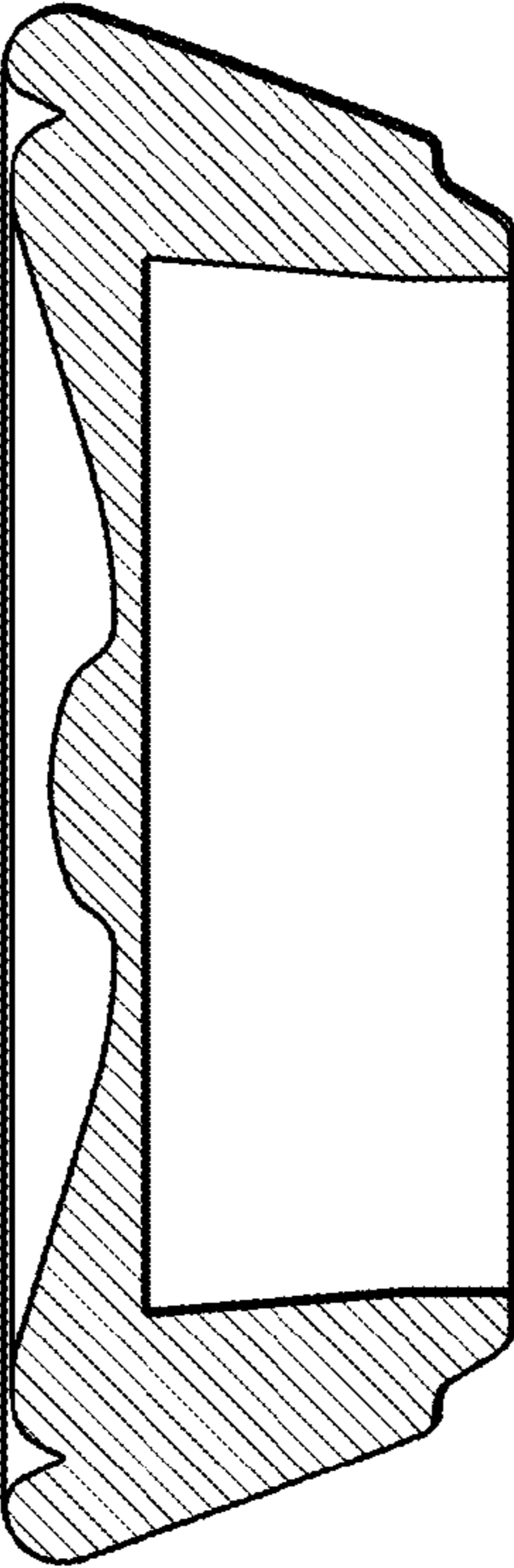


FIG. 5

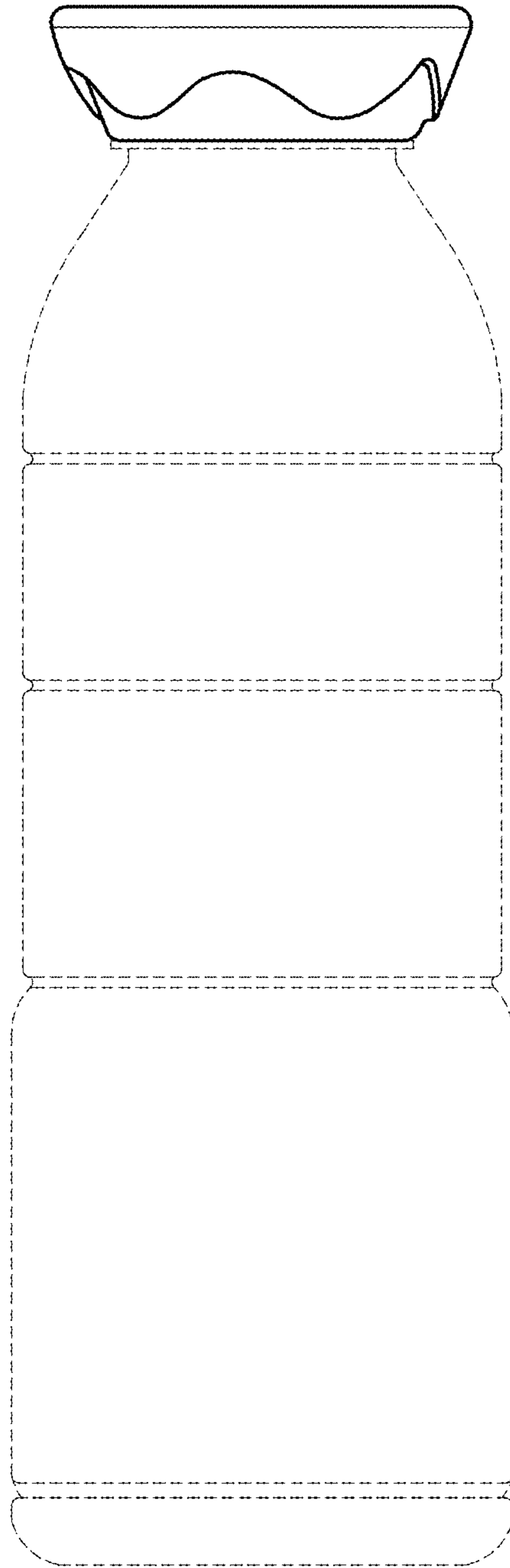


FIG. 7