



US00D897206S

(12) **United States Design Patent** (10) **Patent No.:** **US D897,206 S**  
**Moore et al.** (45) **Date of Patent:** **\*\* Sep. 29, 2020**

(54) **FLUID CONTAINER SPOUT WITH STRAW**

FOREIGN PATENT DOCUMENTS

(71) Applicant: **PURA STAINLESS LLC**, Santa Barbara, CA (US)

AU 2009200949 10/2009  
CN 2813523 3/2013

(Continued)

(72) Inventors: **Roger P. Moore**, Santa Barbara, CA (US); **Jenifer R. Moore**, Santa Barbara, CA (US)

OTHER PUBLICATIONS

(73) Assignee: **Pura Stainless LLC**, Santa Barbara, CA (US)

U.S. Appl. No. 29/640,196 including its prosecution history, the cited references, and the Office Actions therein, Not Yet Published, Jenifer R. Moore.

(\*\*) Term: **15 Years**

(Continued)

(21) Appl. No.: **29/665,235**

*Primary Examiner* — Wendy L Arminio

(22) Filed: **Oct. 1, 2018**

(74) *Attorney, Agent, or Firm* — Knobbe, Martens, Olson & Bear, LLP

**Related U.S. Application Data**

(60) Continuation of application No. 29/646,390, filed on May 3, 2018, now Pat. No. Des. 834,414, which is a (Continued)

(57) **CLAIM**

(51) **LOC (12) Cl.** ..... **09-07**

The ornamental design for a fluid container spout with straw, as shown and described.

(52) **U.S. Cl.**  
USPC ..... **D9/449**; D9/436; D7/392.1

(58) **Field of Classification Search**  
USPC ..... D9/414, 434–436, 438–440, 443–457, D9/499, 503–505, 682, 685, 686; D7/387, 391, 392, 392.1, 396.2–396.4, D7/401.1, 507, 509–511, 538, 900; D3/202, 203.2, 318; D28/91.1  
CPC .. A61J 1/00; A61J 1/1412; B65D 1/00; B65D 1/02; B65D 1/10; B65D 1/46; B65D 5/46; B65D 41/00; B65D 41/38; B65D 41/56; B65D 41/62; B65D 47/00; B65D 47/06;

**DESCRIPTION**

FIG. 1 is a front, top, and side perspective view of a fluid container spout with straw embodying our new design. FIG. 2 is a front view thereof. FIG. 3 is a back side view thereof. FIG. 4 is a left side view thereof. FIG. 5 is a right side view thereof. FIG. 6 is a top view thereof; and, FIG. 7 is a bottom view thereof.

Broken lines are used to illustrate features of the fluid container spout with straw which form no part of the claimed design. Broken lines showing the lid, strap, top inner floor, hole in the top inner floor, top inner sidewall, a portion of the external surface of the straw, the internal surface of the straw, and features on the bottom of the spout form no part of the claimed design.

(Continued)

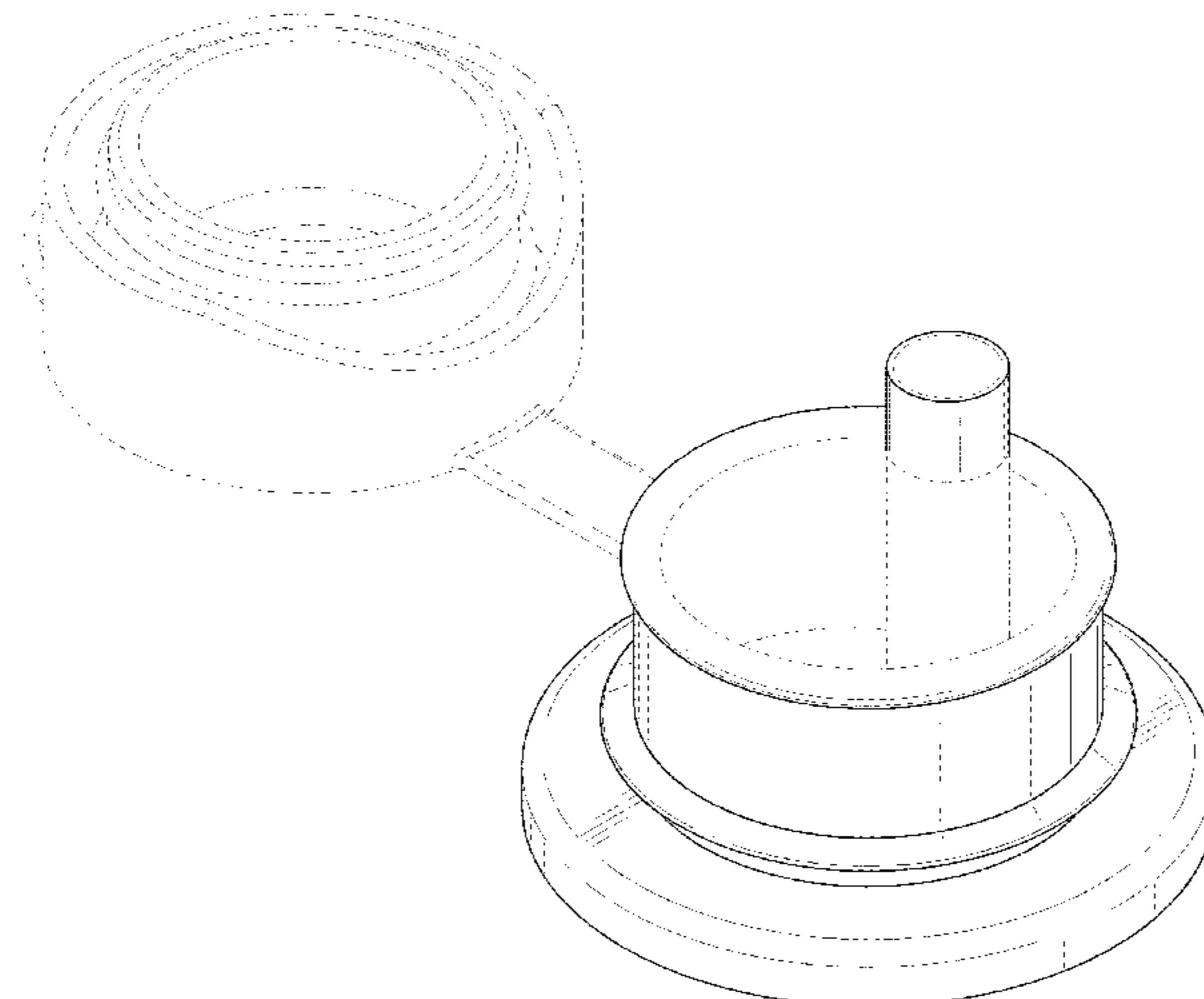
(56) **References Cited**

U.S. PATENT DOCUMENTS

1,099,082 A 6/1914 Decker  
1,510,363 A 9/1924 Wangen et al.

(Continued)

**1 Claim, 7 Drawing Sheets**



**Related U.S. Application Data**

division of application No. 29/604,733, filed on May 19, 2017, now Pat. No. Des. 820,085.

- (58) **Field of Classification Search**  
 CPC ..... B65D 47/08; B65D 2251/00; B65D 2543/00046; B65D 2543/00092; B65D 2543/00296; B65D 2585/56; B65D 2585/545

See application file for complete search history.

- (56) **References Cited**

U.S. PATENT DOCUMENTS

1,659,784 A 2/1928 Pfister et al.  
 1,733,184 A 10/1929 Decker  
 1,797,433 A 3/1931 McCrea  
 1,998,646 A 4/1935 Yager et al.  
 2,008,593 A 7/1935 Pedersen  
 2,084,099 A 6/1937 Maccoy  
 2,157,896 A 5/1939 Held  
 2,194,004 A 3/1940 Bukolt  
 2,438,299 A 3/1948 Relis  
 2,449,014 A 9/1948 Shaffer  
 D181,337 S 11/1957 Beall, Jr.  
 2,812,764 A 11/1957 Crisp  
 2,836,321 A 5/1958 Soltesz et al.  
 2,844,267 A \* 7/1958 Petriccione ..... B65D 77/283  
 D9/438  
 D188,393 S 7/1960 Fagan  
 D193,121 S 6/1962 Wickman et al.  
 3,117,702 A 1/1964 Henchert  
 3,160,327 A 12/1964 Porcelli  
 3,168,221 A 2/1965 Parker  
 3,282,477 A 11/1966 Henchert  
 3,292,809 A 12/1966 Shomock et al.  
 3,434,620 A 3/1969 Laurizio  
 3,445,023 A 5/1969 Giessler et al.  
 D220,732 S 5/1971 Ritsi  
 3,788,510 A 1/1974 Collins  
 3,855,997 A 12/1974 Sauer  
 4,078,700 A 3/1978 Hidding  
 4,488,551 A 12/1984 Connelly  
 D278,414 S 4/1985 Cho  
 4,613,050 A 9/1986 Atkin et al.  
 D286,860 S \* 11/1986 DiFede ..... D9/435  
 D288,241 S 2/1987 Fuller  
 D306,266 S 2/1990 Hargrove et al.  
 4,993,568 A 2/1991 Morifuji et al.  
 D318,427 S \* 7/1991 Sherburne, Jr. .... D9/436  
 D319,980 S 9/1991 Gamer  
 D324,824 S 3/1992 Hansen  
 5,160,058 A \* 11/1992 Ahn ..... B65D 77/283  
 215/388  
 D336,042 S \* 6/1993 Bondanza ..... D9/435  
 5,316,160 A 5/1994 Cautereels  
 D359,234 S 6/1995 Amin  
 D359,684 S 6/1995 Duggan et al.  
 D364,810 S 12/1995 Meisner  
 5,544,766 A 8/1996 Dunn et al.  
 D374,399 S 10/1996 Neveras  
 D378,975 S 4/1997 Reid  
 5,725,121 A 3/1998 Gianpaolo  
 5,769,277 A 6/1998 Elliott  
 D404,646 S 1/1999 Black, Sr. et al.  
 D409,303 S 5/1999 Oepping  
 5,909,820 A 6/1999 Yeh  
 5,950,689 A 9/1999 Variet  
 5,996,859 A 12/1999 Beck  
 D424,937 S 5/2000 Tucker  
 D437,782 S 2/2001 Haley et al.  
 D438,799 S 3/2001 Anderson  
 6,223,919 B1 5/2001 Kuehn  
 D448,971 S 10/2001 Hughes  
 6,371,315 B1 4/2002 Chien  
 D463,567 S 9/2002 Morano

D465,028 S 10/2002 Renz  
 D466,016 S 11/2002 Serrano et al.  
 D475,923 S 6/2003 Renz  
 D479,606 S 9/2003 Randolph  
 D481,313 S \* 10/2003 Archer ..... D9/436  
 6,634,417 B1 10/2003 Kolowich  
 D487,227 S 3/2004 Haley  
 D504,725 S 5/2005 Randolph et al.  
 D507,722 S 7/2005 Rockhill  
 6,948,630 B2 9/2005 Julian et al.  
 D514,935 S 2/2006 Sturk  
 6,994,225 B2 2/2006 Hakim  
 7,070,065 B2 7/2006 Wong  
 D526,208 S 8/2006 Klein et al.  
 D531,901 S 11/2006 Rueschhoff et al.  
 D537,714 S 3/2007 Yerby  
 D555,795 S 11/2007 Mallet  
 D567,384 S 4/2008 Sakulsacha et al.  
 D573,017 S 7/2008 Henderson  
 D588,616 S 3/2009 Tanaka et al.  
 D592,505 S 5/2009 Mobley  
 7,624,868 B2 12/2009 Booker  
 D617,465 S 6/2010 Hakim  
 D630,510 S 1/2011 Yacktman  
 D630,511 S 1/2011 Stull, Sr. et al.  
 D634,439 S 3/2011 Hakim  
 7,938,281 B2 5/2011 Horntrich et al.  
 D639,968 S 6/2011 Pukall et al.  
 D639,969 S 6/2011 Pukall et al.  
 D643,722 S 8/2011 Gorskey et al.  
 D645,339 S 9/2011 Oakes  
 8,123,086 B2 2/2012 Haley  
 D666,096 S 8/2012 Cummings  
 D666,098 S 8/2012 Cummings  
 D667,558 S 9/2012 Hakim  
 D671,793 S 12/2012 Hakim  
 8,322,573 B2 \* 12/2012 Tauber ..... B65D 47/122  
 222/111  
 D676,318 S 2/2013 MacNeill et al.  
 D678,767 S 3/2013 Haley  
 D679,589 S 4/2013 Hauth  
 D681,216 S 4/2013 Smith  
 D683,189 S 5/2013 Thomas  
 D693,650 S 11/2013 De Leo  
 8,573,436 B2 11/2013 Moore et al.  
 D699,068 S 2/2014 Dunn et al.  
 8,739,991 B2 6/2014 Moore et al.  
 D711,230 S 8/2014 den Boer  
 8,807,386 B2 8/2014 Lam  
 D713,259 S 9/2014 Naef et al.  
 D713,724 S 9/2014 den Boer  
 8,919,610 B2 12/2014 Haley et al.  
 D721,976 S 2/2015 Cornelius et al.  
 D722,173 S 2/2015 Wilson  
 D722,872 S 2/2015 Bowman  
 D724,233 S 3/2015 Moore et al.  
 D728,808 S 5/2015 Sakulsacha  
 D730,730 S 6/2015 Haley et al.  
 D731,240 S 6/2015 Bell  
 RE45,611 E 7/2015 Haley  
 D734,476 S 7/2015 Chaitanarit  
 D735,049 S 7/2015 Cornelius et al.  
 D744,778 S 12/2015 Wahl  
 D747,200 S 1/2016 Chiorazzi et al.  
 9,233,052 B2 1/2016 Moore  
 D749,745 S 2/2016 Prentice  
 D750,490 S 3/2016 Moore et al.  
 D752,234 S 3/2016 Moore et al.  
 D752,434 S 3/2016 Willows  
 D758,789 S 6/2016 Moore et al.  
 D767,390 S 9/2016 Miksovsky et al.  
 D768,490 S 10/2016 Robinson et al.  
 D769,671 S 10/2016 Bielawski  
 D769,713 S 10/2016 Moore et al.  
 D775,525 S \* 1/2017 Stryker ..... D9/449  
 D776,533 S 1/2017 Kikel  
 D780,579 S 3/2017 Kim et al.  
 D781,640 S 3/2017 Roth  
 D782,245 S 3/2017 Ellsworth

(56)

References Cited

U.S. PATENT DOCUMENTS

RE46,506 E	8/2017	Haley	
D794,811 S	8/2017	Thomas	
D795,064 S	8/2017	Moore et al.	
D808,802 S	1/2018	Seiders et al.	
D815,890 S	4/2018	Boroski	
D818,133 S	5/2018	Moore et al.	
D820,085 S	6/2018	Moore et al.	
D820,996 S	6/2018	Knaus	
D821,147 S *	6/2018	Chung .....	D7/510
D834,414 S	11/2018	Moore et al.	
D855,390 S *	8/2019	Lullie .....	D7/392.1
2003/0089676 A1	5/2003	Uehara	
2004/0124168 A1	7/2004	Silver	
2004/0221385 A1	11/2004	Su	
2005/0000930 A1	1/2005	Weissberg	
2005/0006415 A1	1/2005	Kiehne	
2005/0184026 A1	8/2005	Haley	
2005/0258201 A1	11/2005	Willows et al.	
2006/0011571 A1	1/2006	Silver	
2006/0261064 A1	11/2006	Holley, Jr.	
2007/0045217 A1 *	3/2007	Cho .....	B65D 47/2012 215/236
2007/0102434 A1	5/2007	Dunwoody et al.	
2007/0221604 A1	9/2007	Hakim	
2008/0128418 A1 *	6/2008	Ahn .....	B65D 5/748 220/303
2008/0282907 A1	11/2008	Begin et al.	
2009/0261054 A1	10/2009	Shelby	
2009/0301990 A1	12/2009	Cresswell et al.	
2010/0181282 A1 *	7/2010	Raman .....	B65D 47/061 215/386
2011/0062105 A1	3/2011	Itzek	
2012/0074090 A1	3/2012	Rees	
2012/0305582 A1	12/2012	Dunn	
2014/0251939 A1	9/2014	Boonprasop	
2015/0053637 A1	2/2015	Archer et al.	

FOREIGN PATENT DOCUMENTS

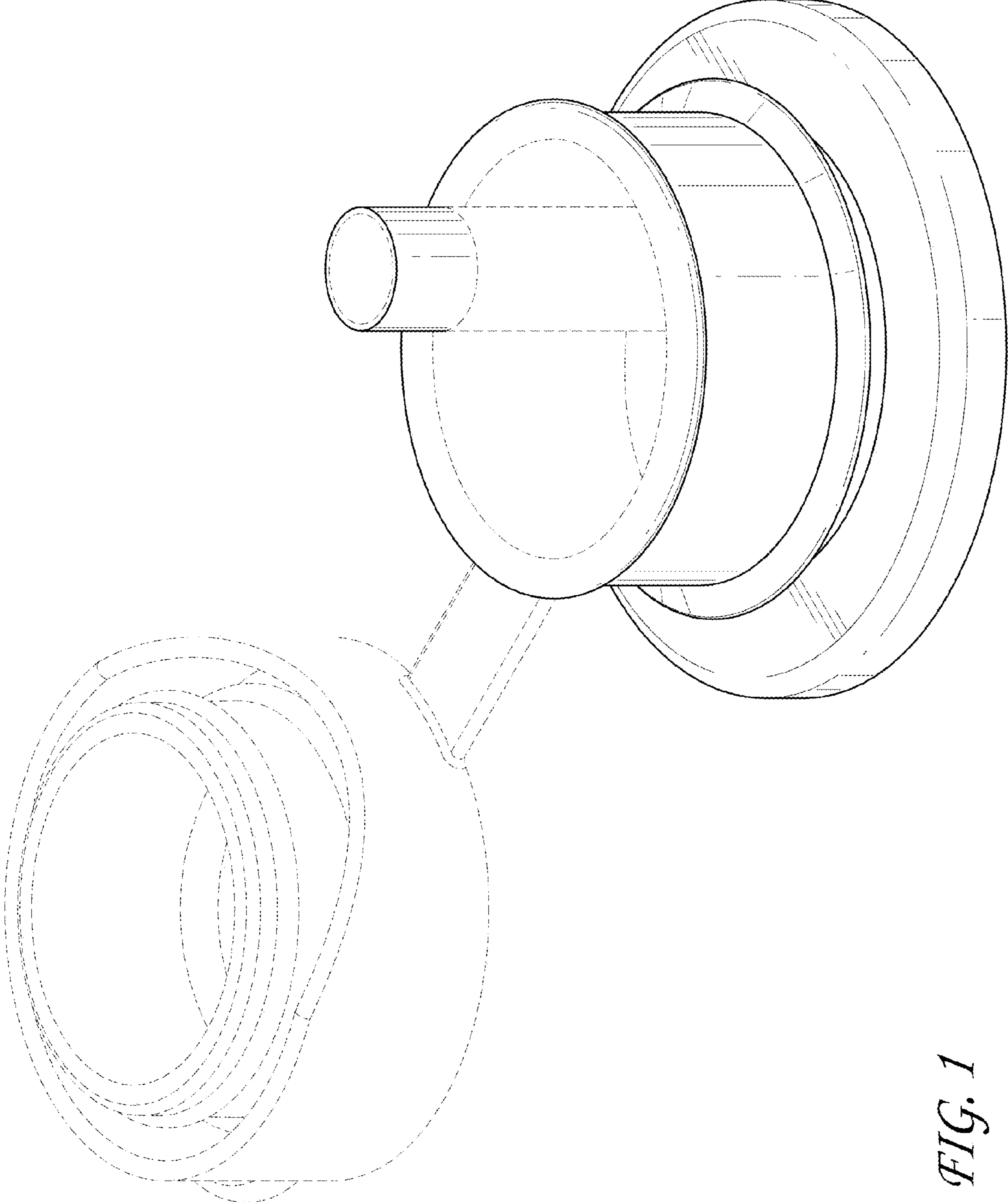
CN	201320170041.6	12/2013
CN	2013305348008	3/2014
EP	0151862 A2	8/1985
EP	1354579 A1	10/2003
EP	002346577-0001	11/2013
EP	002346577-0002	11/2013
GB	2154451 A1	9/1985
GB	2491790	4/2013
KR	20-1999-0021881	6/1999
KR	10-2000-0022013	4/2000
KR	20-2000-0007813	5/2000
KR	10-2000-0042244	7/2000
WO	WO 0016731 A1	3/2000
WO	WO 2011/116354 A2	9/2011
ZA	2012/07314	11/2012

OTHER PUBLICATIONS

U.S. Appl. No. 29/568,981 including its prosecution history, the cited references, and the Office Actions therein, Not Yet Published, Moore et al.  
Organickidz, About us, [www.organickidz.ca/about-us/founder](http://www.organickidz.ca/about-us/founder), Pub. Date Unknown.

CamelBak Eddy, .75L BPA-Free Water Bottle for Hydration on the Go. [http://shop.camelbak.com/eddy-75l/d/1012\\_c\\_755\\_cl\\_6192](http://shop.camelbak.com/eddy-75l/d/1012_c_755_cl_6192), printed on Mar. 9, 2016.  
Tejada, Avoid Bisphenol A when you can, [www.azcentral.com/community/chandler/citizen/articles/2009/05/26/20090526fraskexpert0527.html](http://www.azcentral.com/community/chandler/citizen/articles/2009/05/26/20090526fraskexpert0527.html), May 26, 2009.  
My Precious Kid, Baby Bottles—BPA free/stainless steel on sale, <http://www.mypreviouskid.com/blog/2009/10/baby-bottles-bpa-free-stainless-steel-on-sale/>, Oct. 21, 2009.  
Mittelstaedt, Bisphenol A poses disease risk for adults, study says, [theGlobeandMail.com/technology/science/.../article1061117](http://theGlobeandMail.com/technology/science/.../article1061117), Sep. 16, 2008.  
Mommyauctions, Bottle raid 2007!, [mommyauctions.com/blog/2007/10/01/kitchen-raid-2007-what's-the-scoop-on-all-the-bpa-free-hype](http://mommyauctions.com/blog/2007/10/01/kitchen-raid-2007-what-s-the-scoop-on-all-the-bpa-free-hype), Oct. 21, 2009.  
Wellings, Concerns over baby bottles, <http://au.news.yahoo.com/today-tonight/latest/article/-/6098435/concerns-over-baby-bottles>, Sep. 24, 2009.  
Examination Report issued in United Kingdom Patent Application No. GB1218578.1 dated Oct. 31, 2012.  
Daley, Harvard study backs bottle concern, says plastic used leaches Bisphenol A, The Boston Globe [www.boston.com/lifestyle/green/articles/2009/05/22/harvard-study-backs-bottle-concern-and](http://www.boston.com/lifestyle/green/articles/2009/05/22/harvard-study-backs-bottle-concern-and): [www.organickidz.ca/stainless-steel-bpa/news-articles](http://www.organickidz.ca/stainless-steel-bpa/news-articles), May 22, 2009.  
International Search Report and Written Opinion for International Application No. PCT/US2011/029098, Notification dated Nov. 28, 2011.  
Consumer Reports, Major baby bottle manufacturers agree to ban BPA, <http://news.consumerreports.org/safety/2009/03/baby-bottle-makers-agree-to-ban-bpa.html>, Mar. 9, 2009.  
Nuby Replacement Spouts, Copyright 2011.  
Nuby Klik-it FlexStraw, copyright 2016, <https://nuby.com/en/nuby/cups-spouts/10130/>.  
Cornell University, Plastics—Avoiding BPA, [http://envirocancer.cornell.edu](http://envirocancer.cornell.edu/envirocancer.cornell.edu), Mar. 2009.  
Adams, Six baby bottle manufacturers quietly agree to remove BPA from baby bottles, [http://www.naturalnews.com/025804\\_BPA\\_Baby\\_Bottles.html](http://www.naturalnews.com/025804_BPA_Baby_Bottles.html), Mar. 9, 2009.  
Wiley, Stainless Steel Baby Bottles are the best alternative to plastic, [voices.yahoo.com/stainless-steel-baby-bottles-best-alternative-2999481.html?cat=25](http://voices.yahoo.com/stainless-steel-baby-bottles-best-alternative-2999481.html?cat=25), Mar. 6, 2009.  
Alter, Time to pack in the polycarbonates, <http://www.treehugger.com/green-food/time-to-pack-in-the-polycarbonates.html>, Aug. 1, 2007.  
Thinkbaby, The New Design—Stage B, Cross Cut, No Spill (6 to 12 months)—Two Pack, [http://thinkbabybottles.3dcartstores.com/The-New-Design--Stage-B-Cross-Cut-No-Spill-6-to-12-months-Two-Pack-\\_p\\_200.html](http://thinkbabybottles.3dcartstores.com/The-New-Design--Stage-B-Cross-Cut-No-Spill-6-to-12-months-Two-Pack-_p_200.html) retrieved May 5, 2015. The publication date of this reference is not readily available. Applicant requests that the Examiner review the reference as prior art. Applicant reserves that the right to disqualify the reference as prior art if needed.  
Garvey, World's first stainless steel baby bottles—safe, strong and sustainable, [www.gizmag.com/worlds-first-stainless-steel-baby-bottles/12910](http://www.gizmag.com/worlds-first-stainless-steel-baby-bottles/12910), Sep. 22, 2009.  
Manila Mommy, A Review and a Giveaway! Pura Kiki Stainless Steel Bottle, <http://manilamommy.com/pura-kiki-review/>, Mar. 5, 2012.  
Family Education, Pura Stainless Steel Water Bottle Giveaway, <http://blogs.familyeducation.com/blogs/lindsay/pura-stainless-steel-water-bottle-giveaway>, Sep. 14, 2011.  
Stannard, Yale study details how and why of BPA's dangers, [www.ehhi.org/plastics/taylor\\_nhregister\\_0310.shtml](http://www.ehhi.org/plastics/taylor_nhregister_0310.shtml) and: [www.organickidz.ca/stainless-steel-bpa/news-articles](http://www.organickidz.ca/stainless-steel-bpa/news-articles), Mar. 9, 2009.

\* cited by examiner



*FIG. 1*

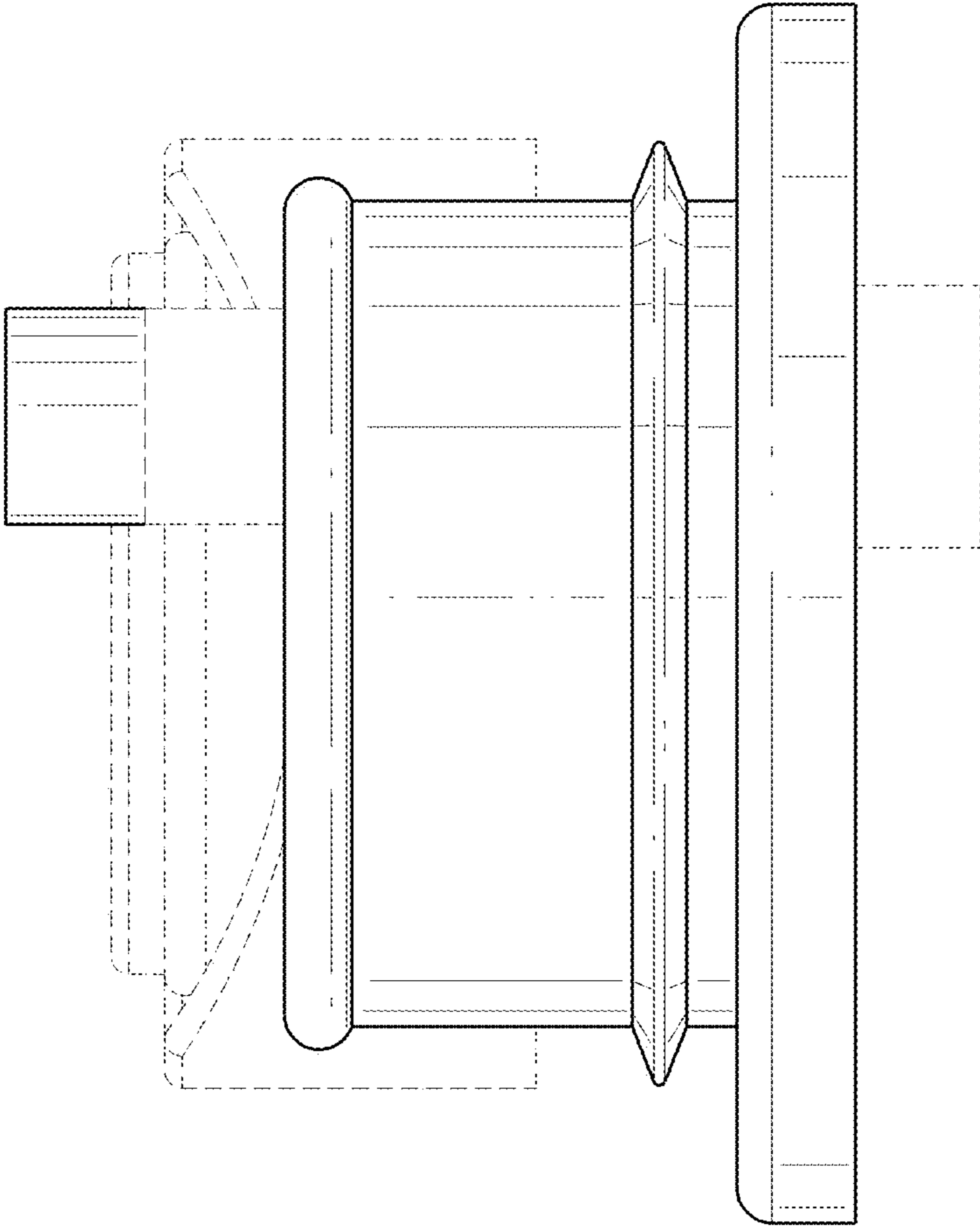
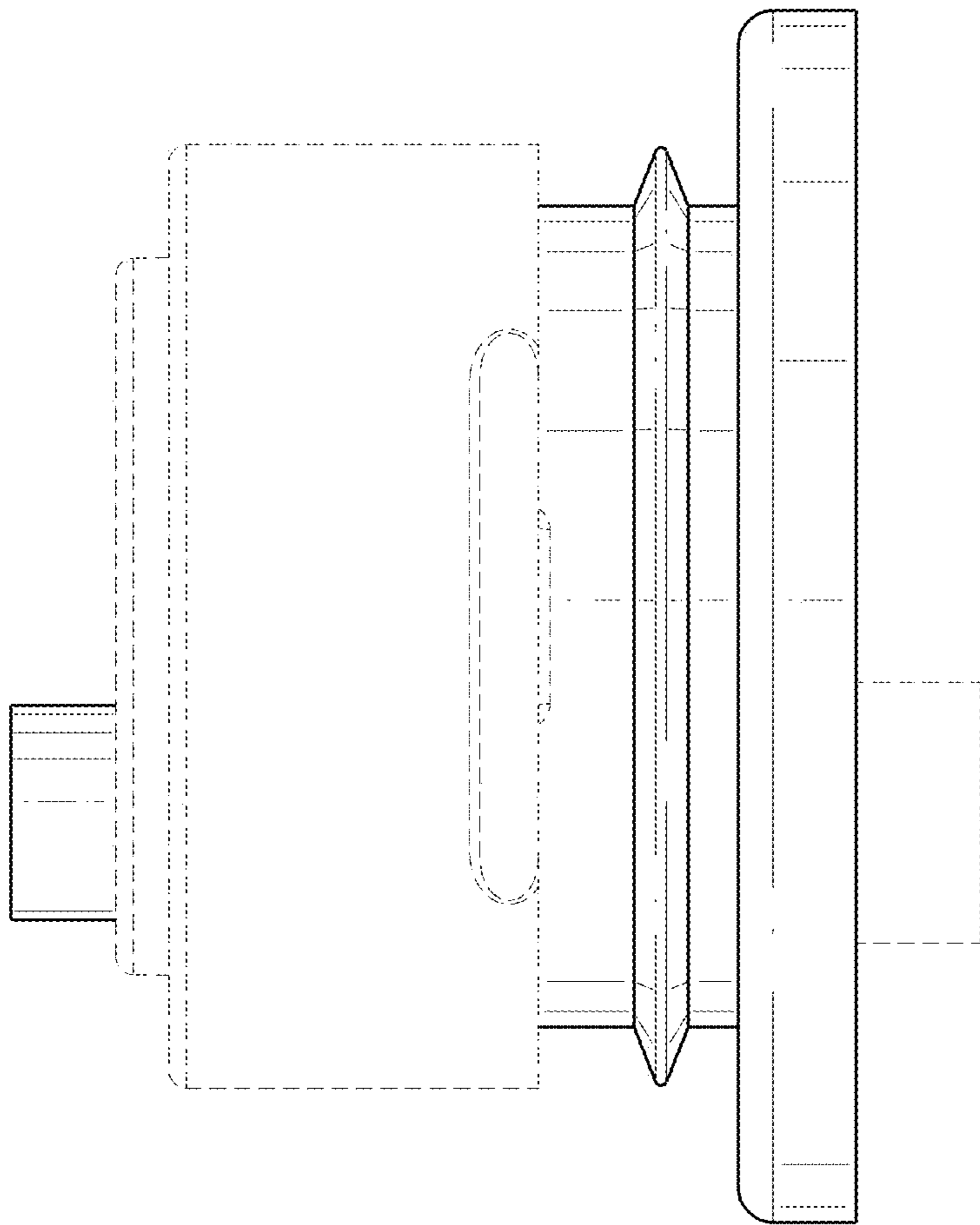
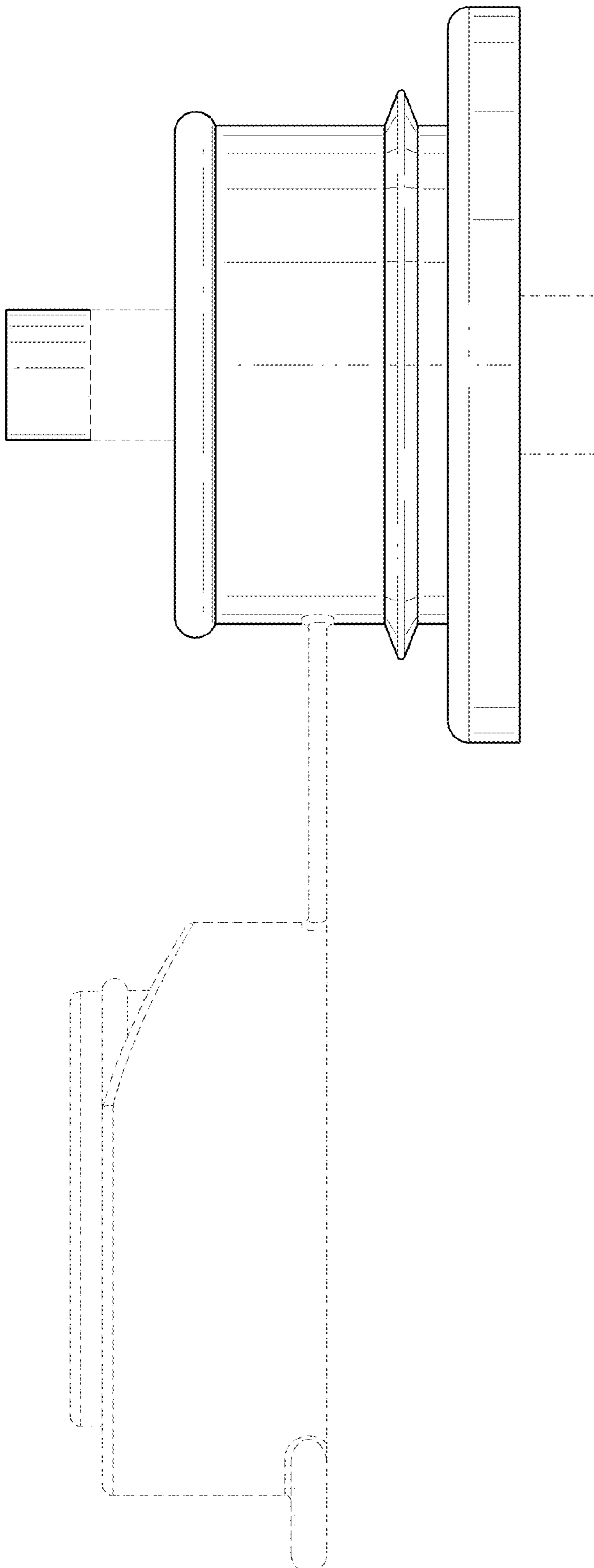


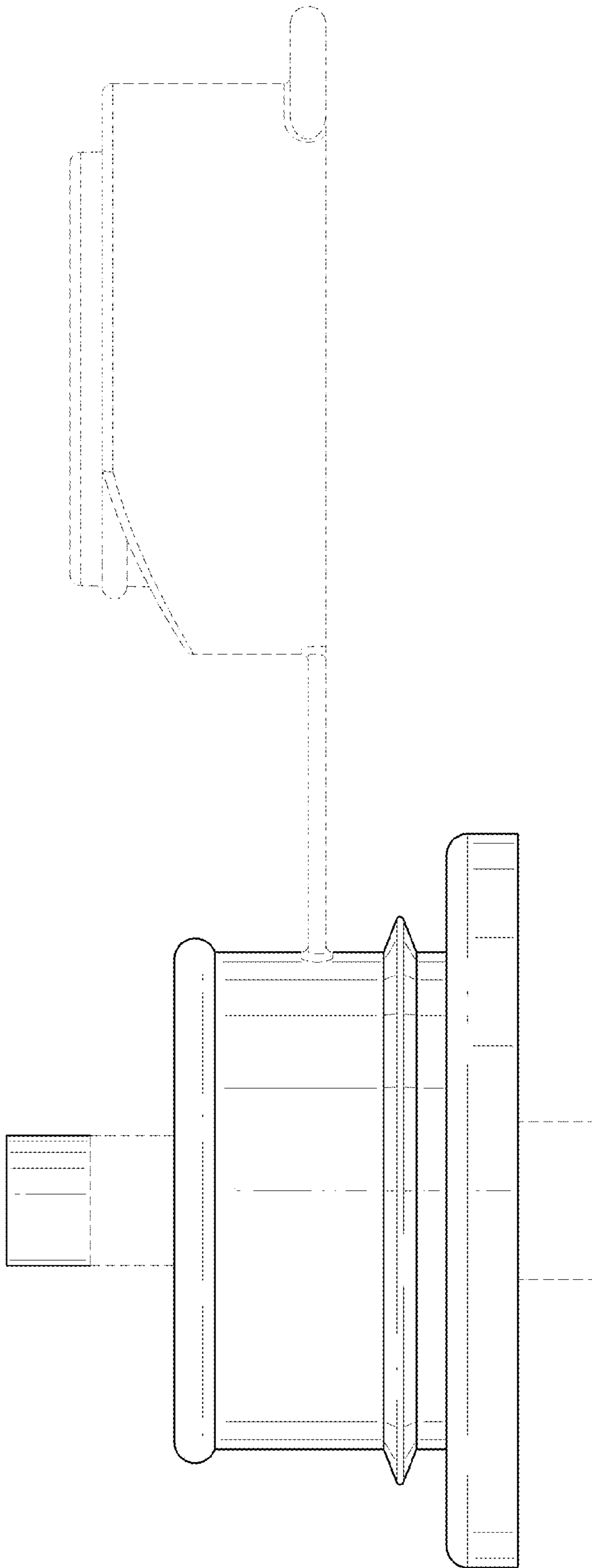
FIG. 2



*FIG. 3*

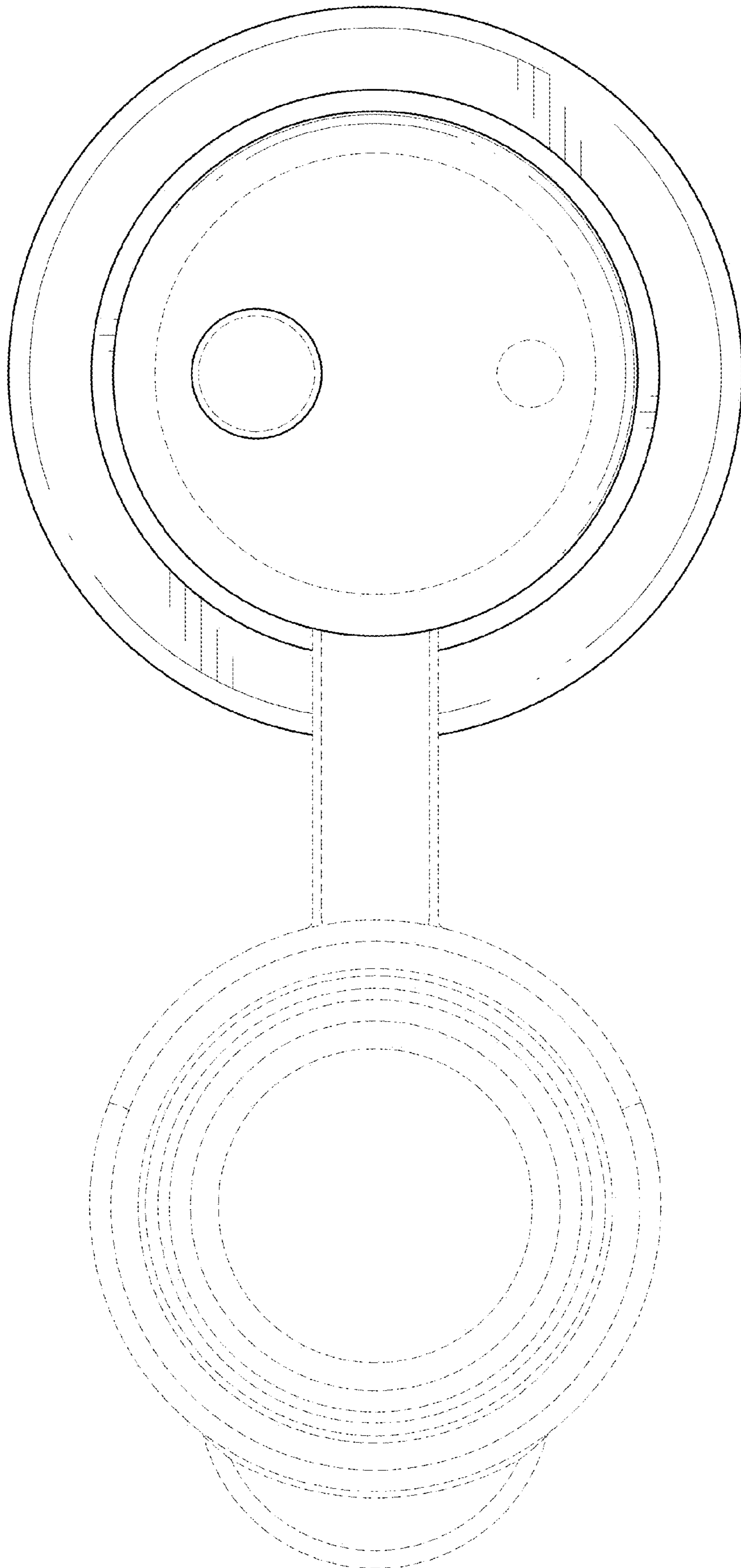


*FIG. 4*

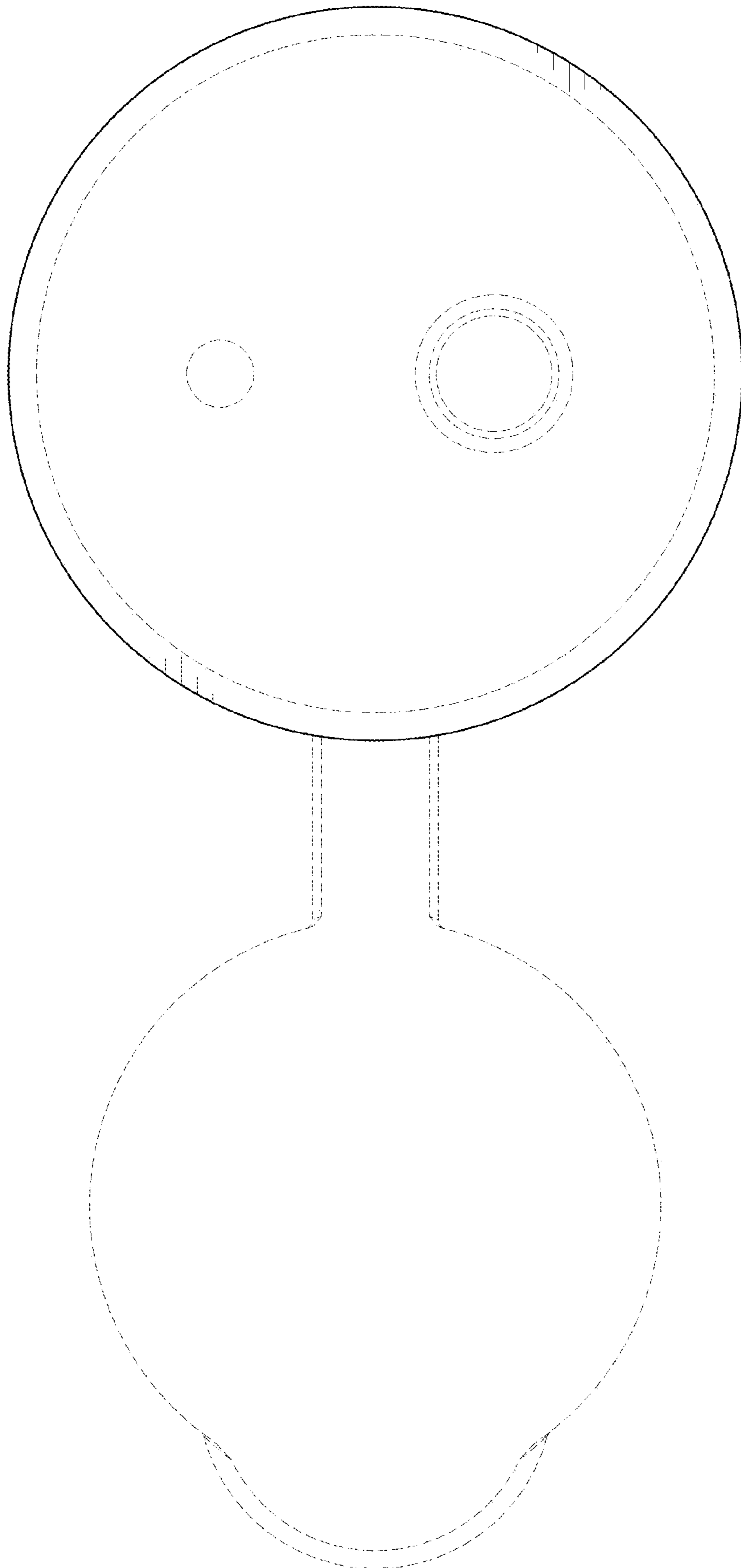


*FIG. 5*





*FIG. 6*



*FIG. 7*