



US00D897205S

(12) **United States Design Patent**
Nojiri et al.

(10) **Patent No.:** **US D897,205 S**
(45) **Date of Patent:** **** Sep. 29, 2020**

(54) **LID FOR CONTAINER**

D195,315 S * 5/1963 Jennings D9/443
(Continued)

(71) Applicants: **Kuraray Noritake Dental Inc.**,
Kurashiki-shi (JP); **Shinko Chemical**
Co., Ltd., Kanazawa-shi (JP)

(72) Inventors: **Yamato Nojiri**, Tainai (JP); **Kazutoshi**
Ikeda, Tainai (JP); **Takashi Makabe**,
Tainai (JP); **Yusuke Fujimura**,
Chiyoda-ku (JP); **Shuji Bunno**,
Chiyoda-ku (JP); **Kaori Tada**,
Kanazawa (JP)

(73) Assignee: **Kuraray Noritake Dental Inc.** (JP)

(**) Term: **15 Years**

(21) Appl. No.: **29/635,760**

(22) Filed: **Feb. 2, 2018**

(30) **Foreign Application Priority Data**

Aug. 4, 2017 (JP) 2017-016900

(51) **LOC (12) Cl.** **09-07**

(52) **U.S. Cl.**
USPC **D9/449**

(58) **Field of Classification Search**

USPC D3/202, 203.2; D7/387, 391, 392, 392.1,
D7/396.1, 396.2, 396.3, 396.4, 397, 398,
D7/401.1, 507, 509-511, 538, 900;
D9/414, 415, 424, 425, 434, 435, 436,
D9/443, 444-452, 454-456, 499, 529,
D9/682, 685, 686; D28/73, 91, 91.1;
D24/127, 224

CPC A01K 7/00; A47G 19/22; A47G 19/2205;
A47G 19/2222; A47G 19/2266; A47G
19/2272; A47G 19/2294; B65D 23/001;
B65D 50/00; B65D 50/041; B65D 50/04;
B65D 2215/00; B65D 2215/02; B65D

(Continued)

(56) **References Cited**

U.S. PATENT DOCUMENTS

D181,672 S * 12/1957 Phillips D7/398

OTHER PUBLICATIONS

Clearfil Universal Bond Quick: Site Visited [Apr. 28, 2019]. Avail-
able from Internet URL: <https://kuraraydental.com/product/clearfil-universal-bond-quick/>.*

Primary Examiner — Jennifer Rivard

Assistant Examiner — Catherine S Posthauer

(74) *Attorney, Agent, or Firm* — Saidman DesignLaw
Group, LLC

(57) **CLAIM**

The ornamental design for a lid for container, as shown and
described.

DESCRIPTION

FIG. 1 is a top view of a lid for container showing our new
design;

FIG. 2 is a bottom view thereof;

FIG. 3 is a right side view thereof, the left side view being
a mirror image;

FIG. 4 is a front view thereof;

FIG. 5 is a rear view thereof;

FIG. 6 is a top view of the lid for container, with the lid in
an open position of use;

FIG. 7 is a bottom view thereof;

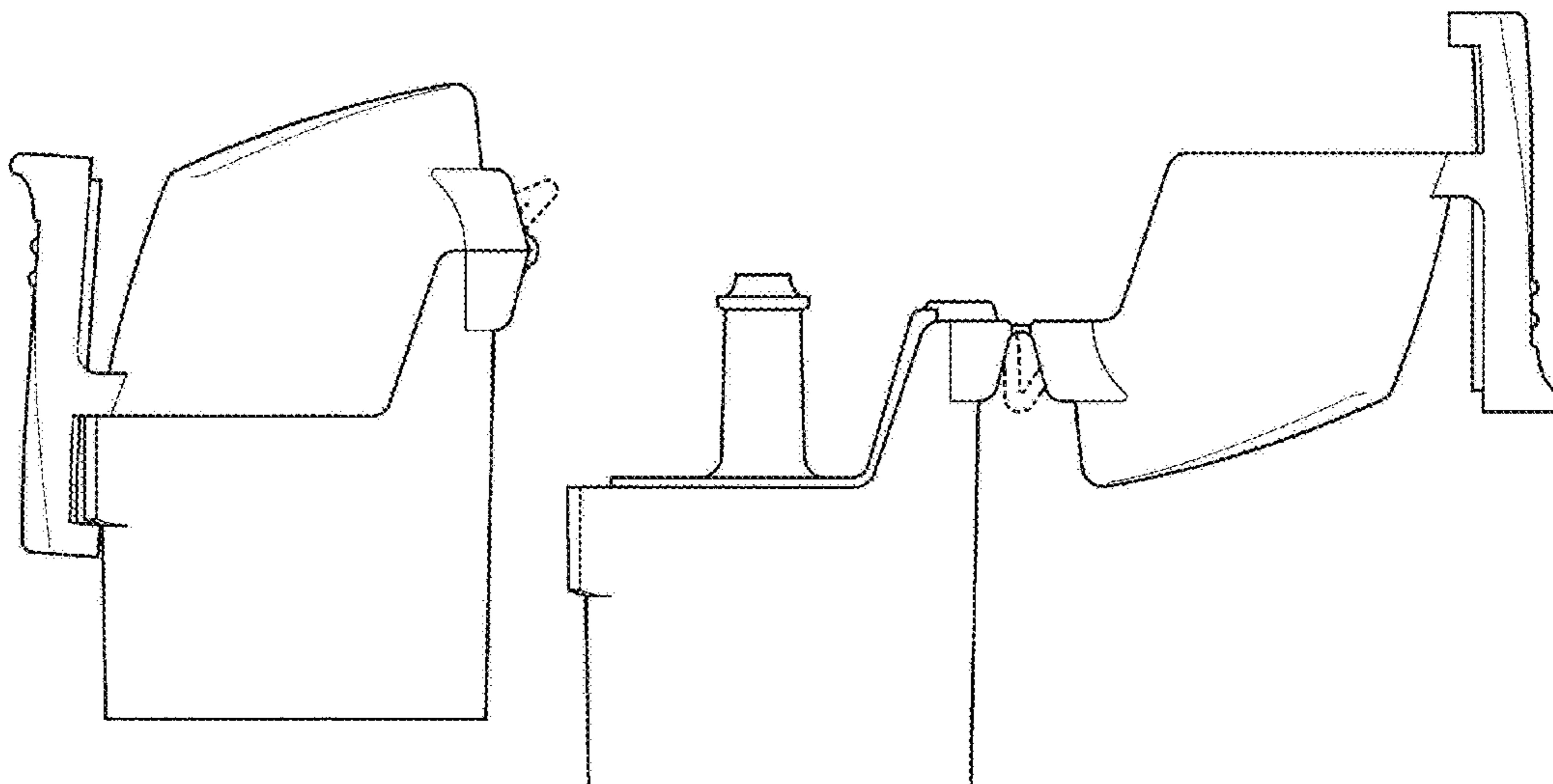
FIG. 8 is a right side view thereof, the left side view being
a mirror image thereof;

FIG. 9 is a front view thereof; and,

FIG. 10 is a rear view thereof.

The broken lines are shown for the purpose of illustrating
parts of the article that form no part of the claimed design.
The drawings include surface shading which illustrates
contour and not surface ornamentation.

1 Claim, 10 Drawing Sheets



(58) **Field of Classification Search**

CPC 41/02; B65D 41/18; B65D 41/16; B65D
 1/00; B65D 1/02; B65D 1/10; B65D
 1/46; B65D 2585/56; B65D 2585/545;
 B65D 41/00; B65D 41/38; B65D 41/56;
 B65D 41/62; B65D 47/00; B65D 47/06;
 B65D 47/08; B65D 47/32; B65D
 3543/00046; B65D 3543/00092; B65D
 3543/000296; B65D 5/46; B65D 2251/00;
 A47J 36/10; A47J 36/14; A47J 36/06;
 A61J 1/00; A61J 1/1412

See application file for complete search history.

(56) **References Cited**

U.S. PATENT DOCUMENTS

D223,900 S * 6/1972 Douglas D9/446
 D298,014 S * 10/1988 McGlyn D9/446
 D505,294 S * 5/2005 Gauss D7/392.1
 D536,970 S * 2/2007 Shannan D9/448
 D540,190 S * 4/2007 Larocca D9/449
 D540,677 S * 4/2007 Stull D9/447
 D543,454 S * 5/2007 Leoncavallo D9/449
 D570,211 S * 6/2008 Leoncavallo D9/434

D621,260 S * 8/2010 Brannon D9/446
 D634,628 S * 3/2011 Goto D7/900
 D634,972 S * 3/2011 Staton D7/392.1
 D640,555 S * 6/2011 Williams D9/447
 D655,581 S * 3/2012 Kotani D7/608
 D681,458 S * 5/2013 Santarelli D9/443
 D686,870 S * 7/2013 Young D7/392.1
 D761,058 S * 7/2016 Ou D7/510
 D763,688 S * 8/2016 Breit D9/443
 D795,011 S * 8/2017 Pisarevsky D7/507
 D798,712 S * 10/2017 Fukumoto D9/447
 D811,162 S * 2/2018 Rane D7/396.2
 D817,084 S * 5/2018 Hammer D7/392.1
 D817,088 S * 5/2018 Shirley D7/396.2
 D818,768 S * 5/2018 Joseph D7/396.2
 D820,637 S * 6/2018 Davis D7/392.1
 D822,429 S * 7/2018 Washburn D7/396.2
 D835,938 S * 12/2018 Zou D7/392.1
 2013/0199134 A1 * 8/2013 Huntington B65D 47/08
 53/471
 2016/0016703 A1 * 1/2016 Muhlemann B65D 47/0814
 222/566
 2017/0253395 A1 * 9/2017 Matthis A47G 19/2272
 2017/0297785 A1 * 10/2017 Maruyama A47G 19/2272
 2017/0327282 A1 * 11/2017 Choltco-Devlin B65D 47/14
 2018/0050850 A1 * 2/2018 Murosky B65D 51/242

* cited by examiner

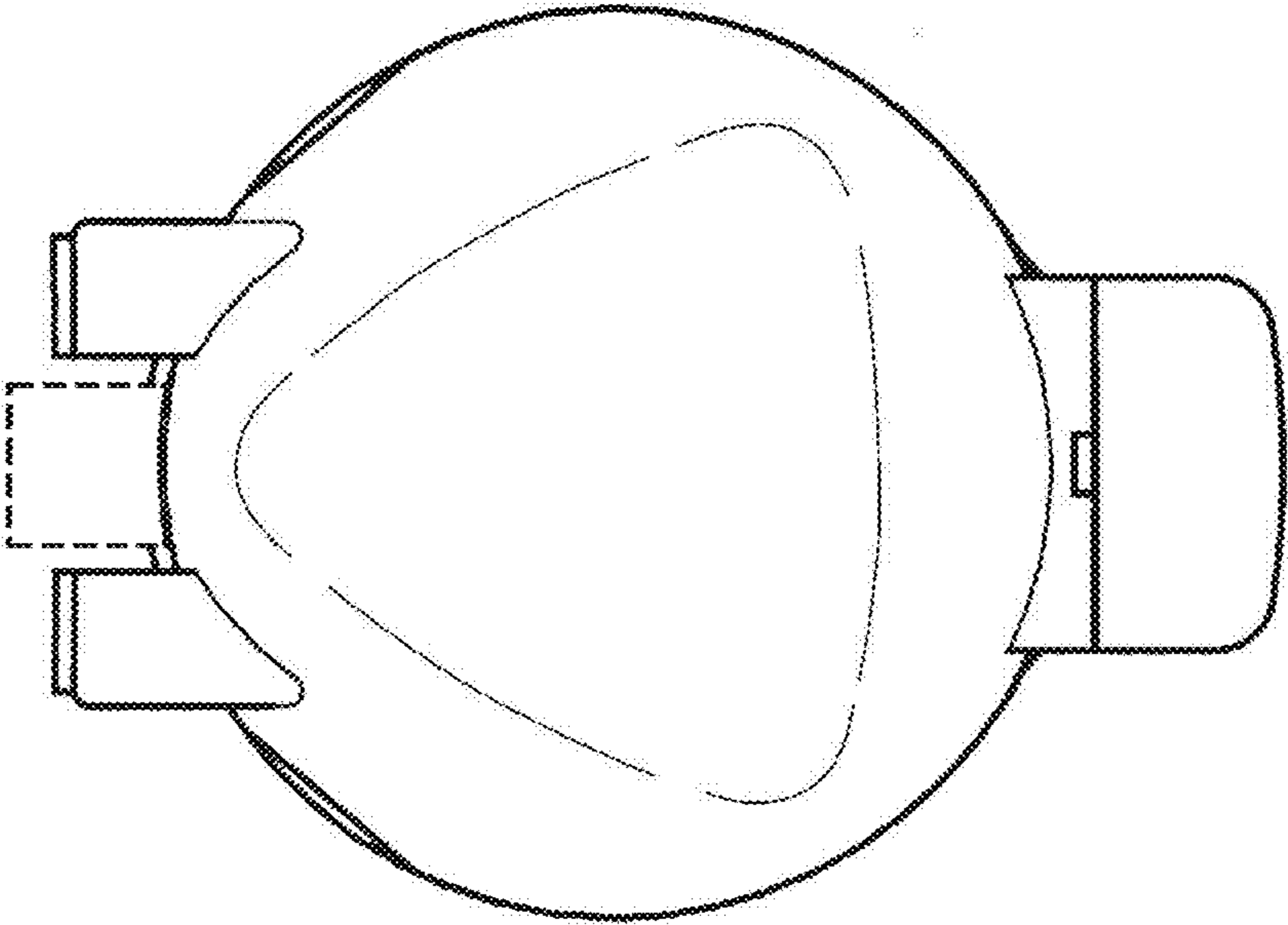


FIG. 1

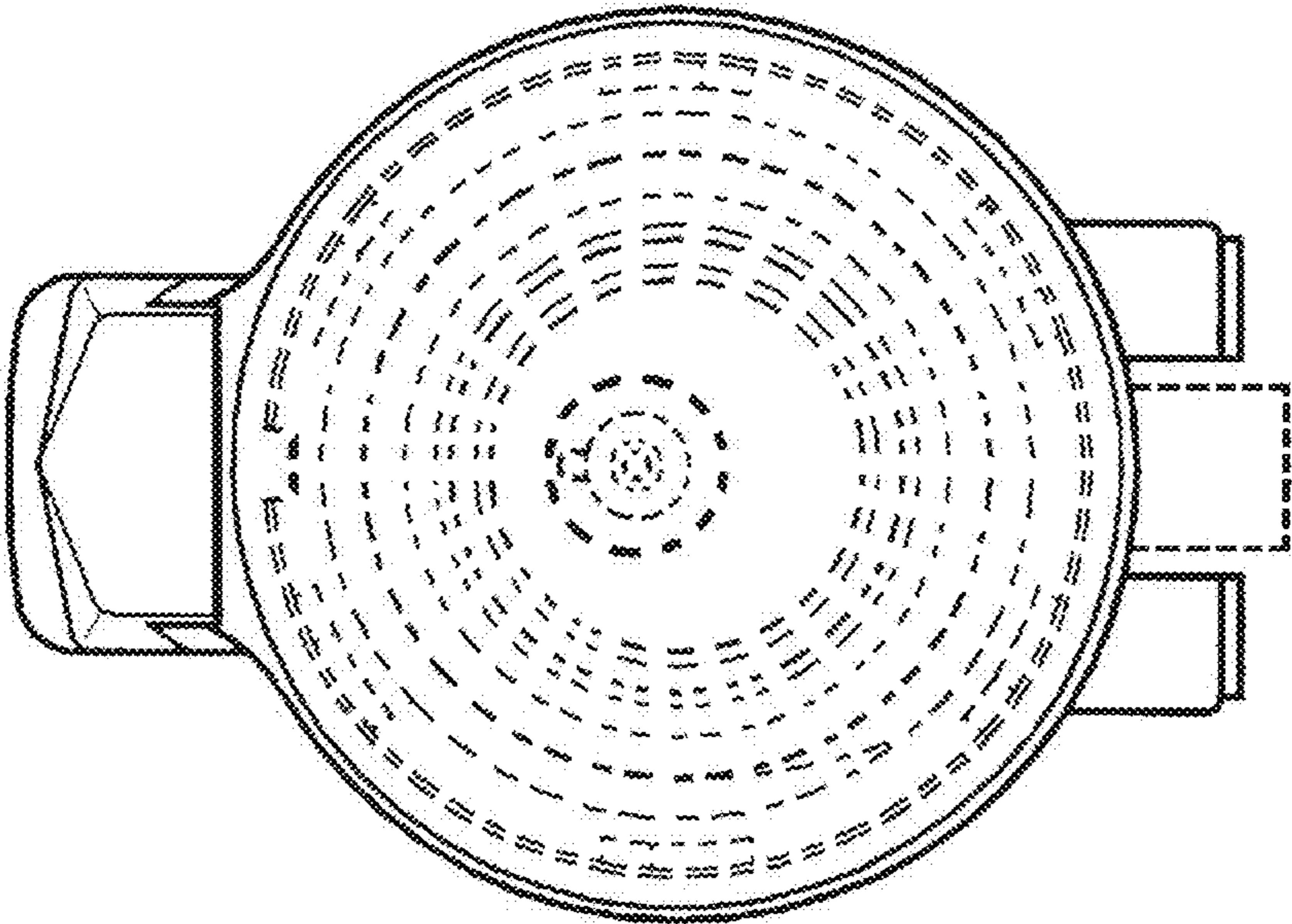


FIG. 2

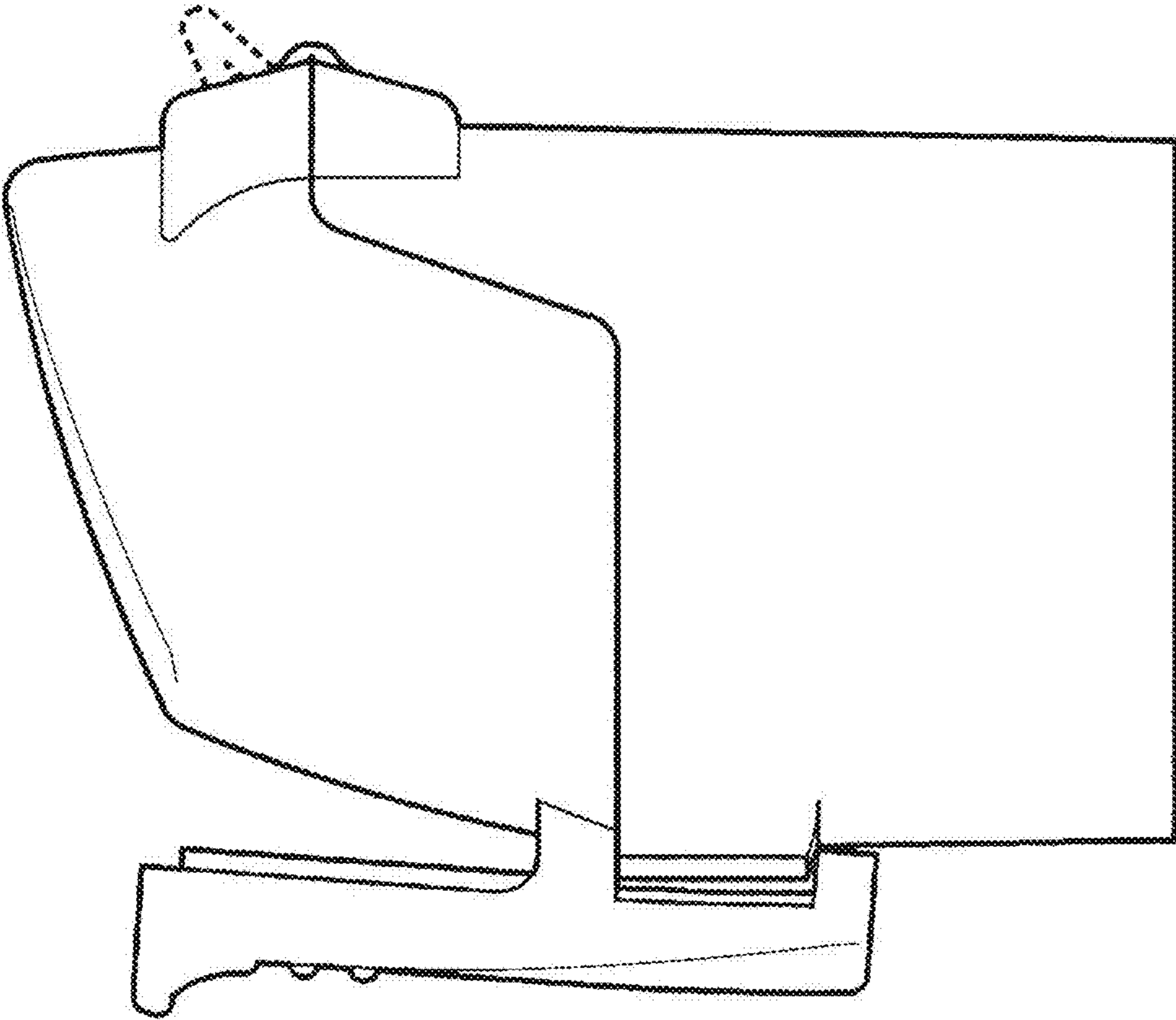


FIG. 3

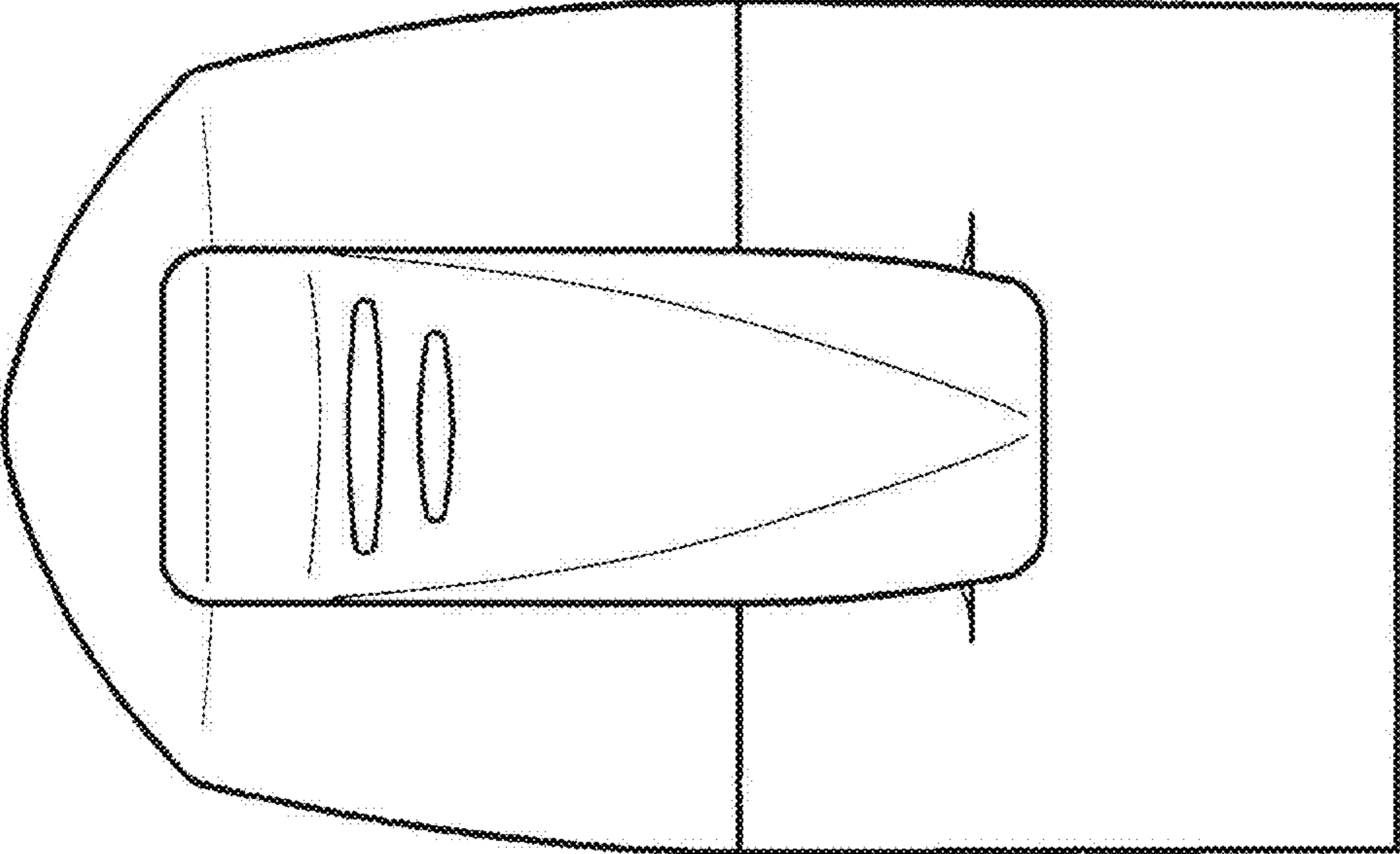


FIG. 4

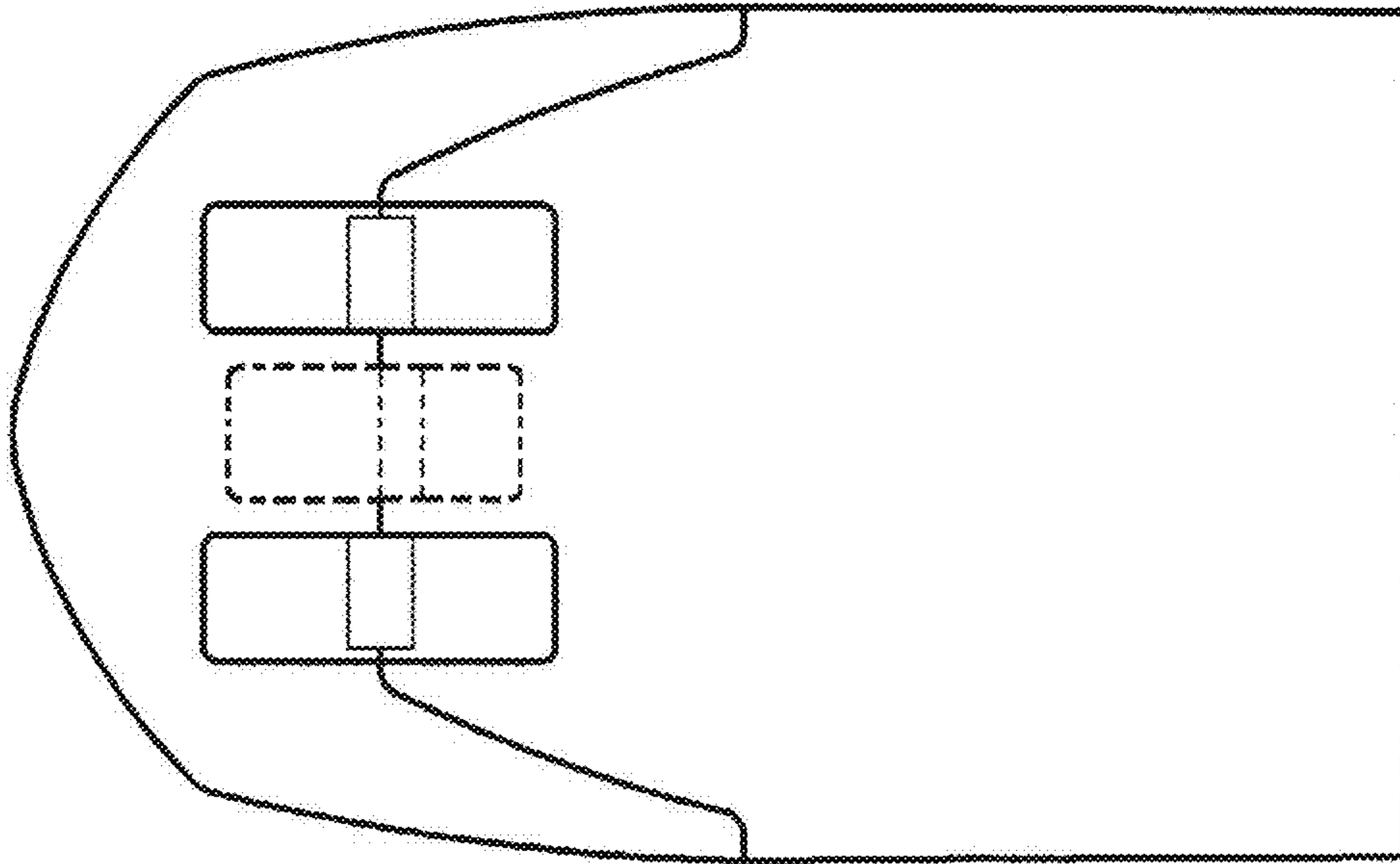


FIG. 5

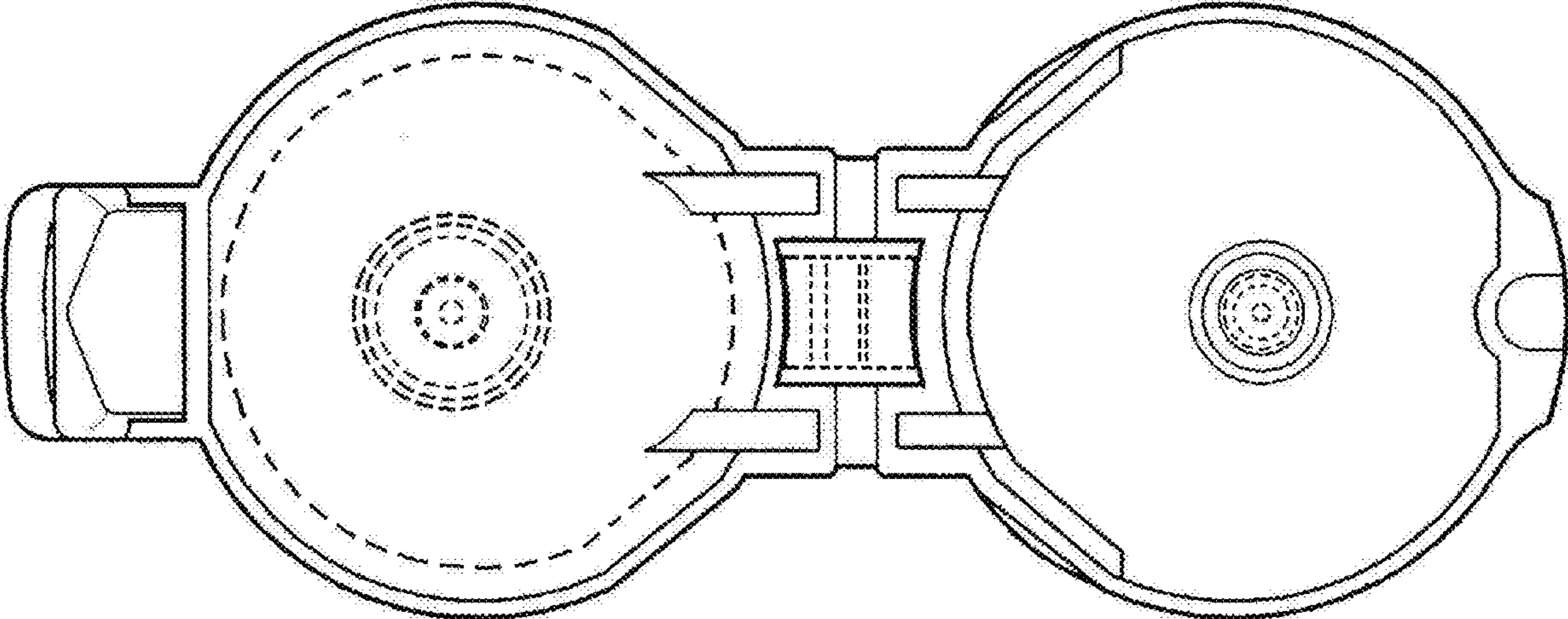


FIG. 6

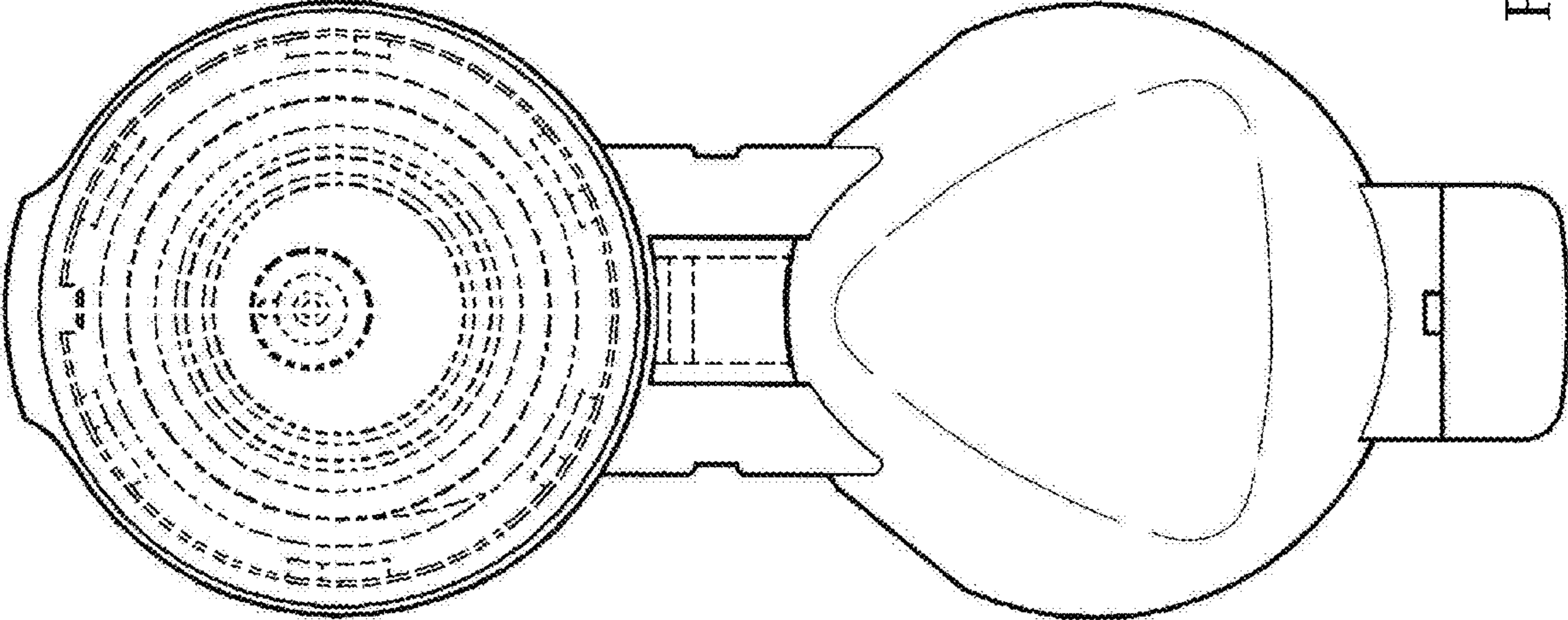


FIG. 7

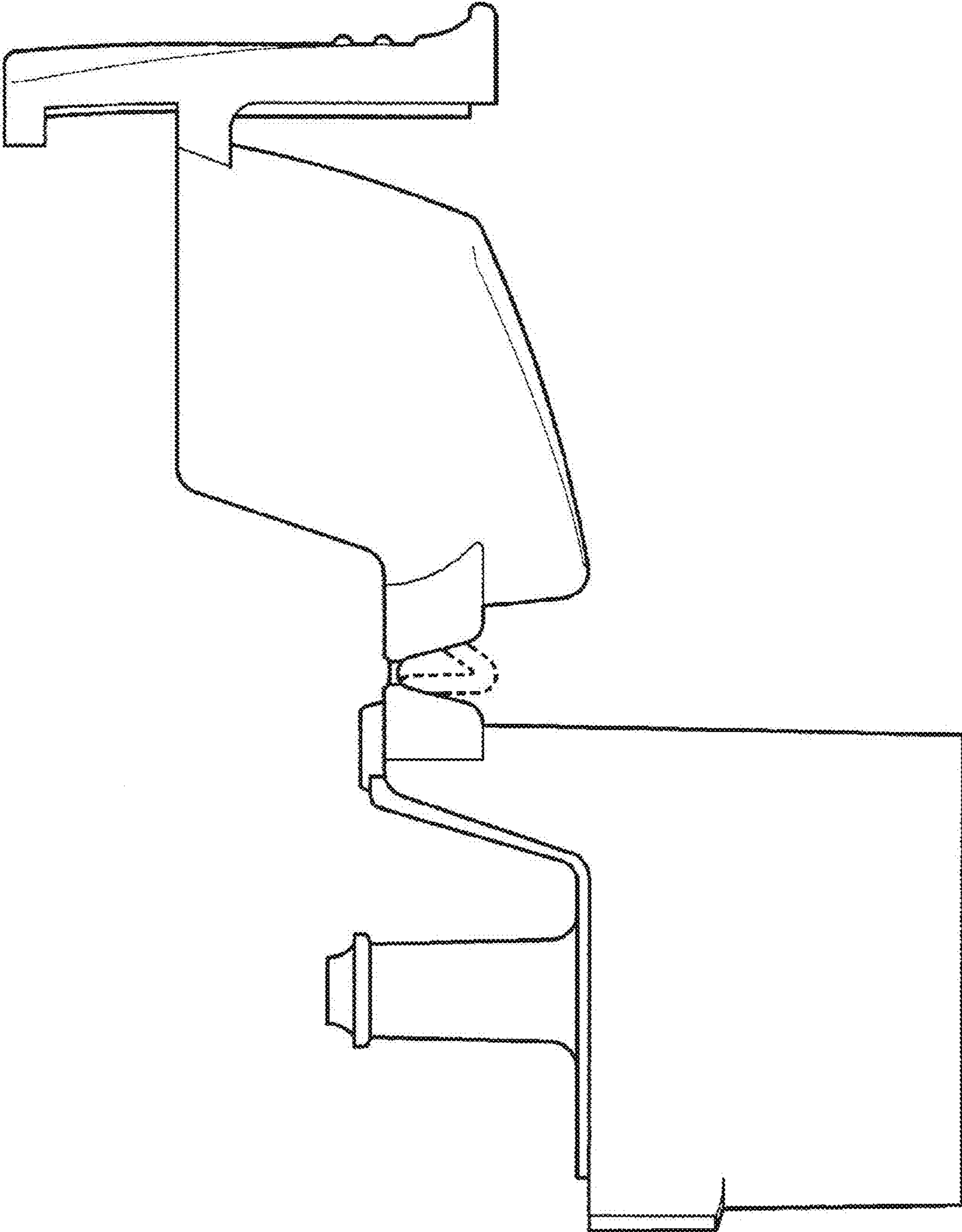


FIG. 8

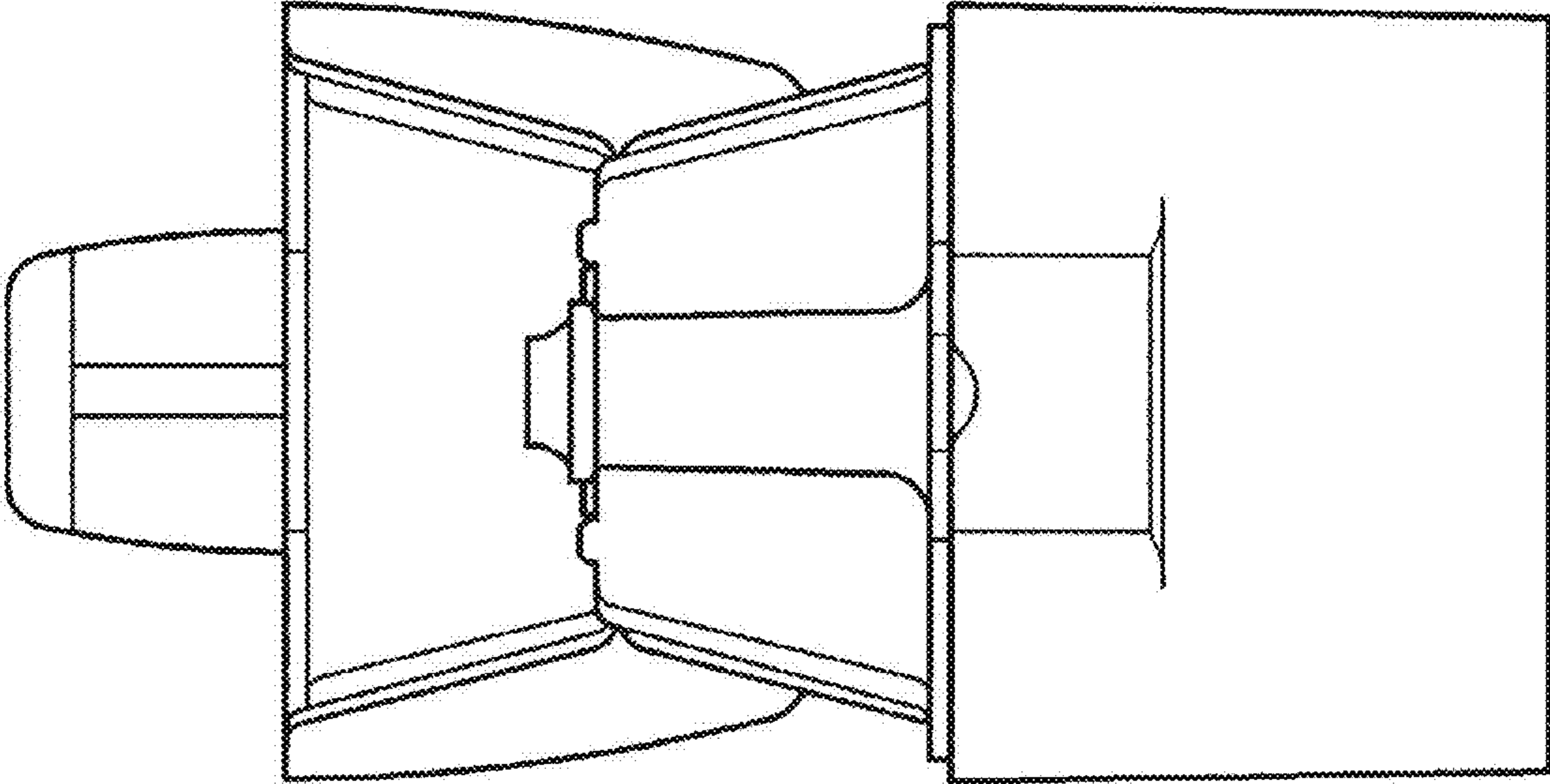


FIG. 9

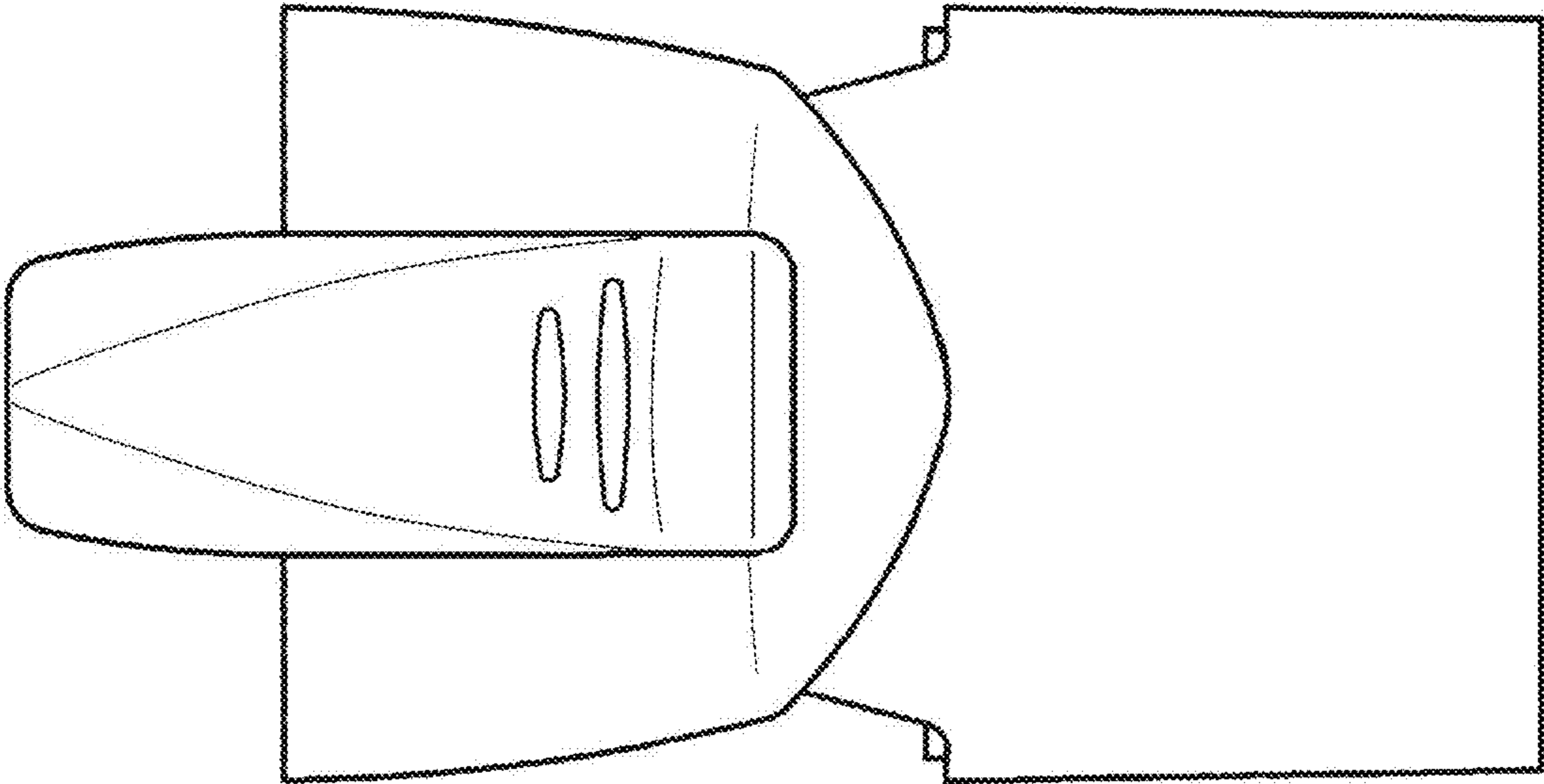


FIG. 10