



US00D897199S

(12) **United States Design Patent** (10) **Patent No.:** **US D897,199 S**  
**Armistead et al.** (45) **Date of Patent:** **\*\* Sep. 29, 2020**

(54) **CONTAINER PART**

(71) Applicant: **The Decor Corporation Pty. Ltd.**,  
Dandenong South, Victoria (AU)

(72) Inventors: **Justin Armistead**, Keysborough (AU);  
**Jim Samartgis**, Dandenong South (AU)

(73) Assignee: **The Decor Corporation Pty. Ltd.**,  
Dandenong South, Victoria (AU)

D449,930 S \* 11/2001 Austin ..... D3/228  
D468,907 S \* 1/2003 Taylor ..... D3/318  
7,090,089 B2 \* 8/2006 Lown ..... B65D 43/0218  
220/324  
D651,475 S \* 1/2012 Lindsay ..... D7/629  
D682,609 S \* 5/2013 Lindsay ..... D7/392.1  
D746,101 S \* 12/2015 Manley ..... D7/387  
D838,108 S \* 1/2019 Samartgis ..... D3/318  
D838,484 S \* 1/2019 Samartgis ..... D3/318  
D840,156 S \* 2/2019 Samartgis ..... D3/318

(\*\*) Term: **15 Years**

(21) Appl. No.: **29/679,853**

(22) Filed: **Feb. 11, 2019**

(30) **Foreign Application Priority Data**

Aug. 17, 2018 (AU) ..... 201814900

(51) **LOC (12) Cl.** ..... **09-07**

(52) **U.S. Cl.**  
USPC ..... **D9/434; D3/318**

(58) **Field of Classification Search**  
USPC ..... D9/434-436, 440, 443, 445, 447-450,  
D9/454, 499, 456; D3/228, 318  
CPC ..... B65D 45/16  
See application file for complete search history.

(56) **References Cited**

U.S. PATENT DOCUMENTS

3,947,925 A \* 4/1976 Hargrave, Jr. .... A45C 13/185  
24/3.5  
D257,410 S \* 10/1980 Rink ..... 224/904  
D344,630 S \* 3/1994 Doerksen ..... D3/228

OTHER PUBLICATIONS

Youtube. Decor Delish premium food storage by Decor Australian. Oct. 3, 2019. <https://www.youtube.com/watch?v=6u-5QU0iBkg> (Year: 2019).\*

\* cited by examiner

*Primary Examiner* — Darcey E Gottschalk  
(74) *Attorney, Agent, or Firm* — Stevens & Showalter  
LLP

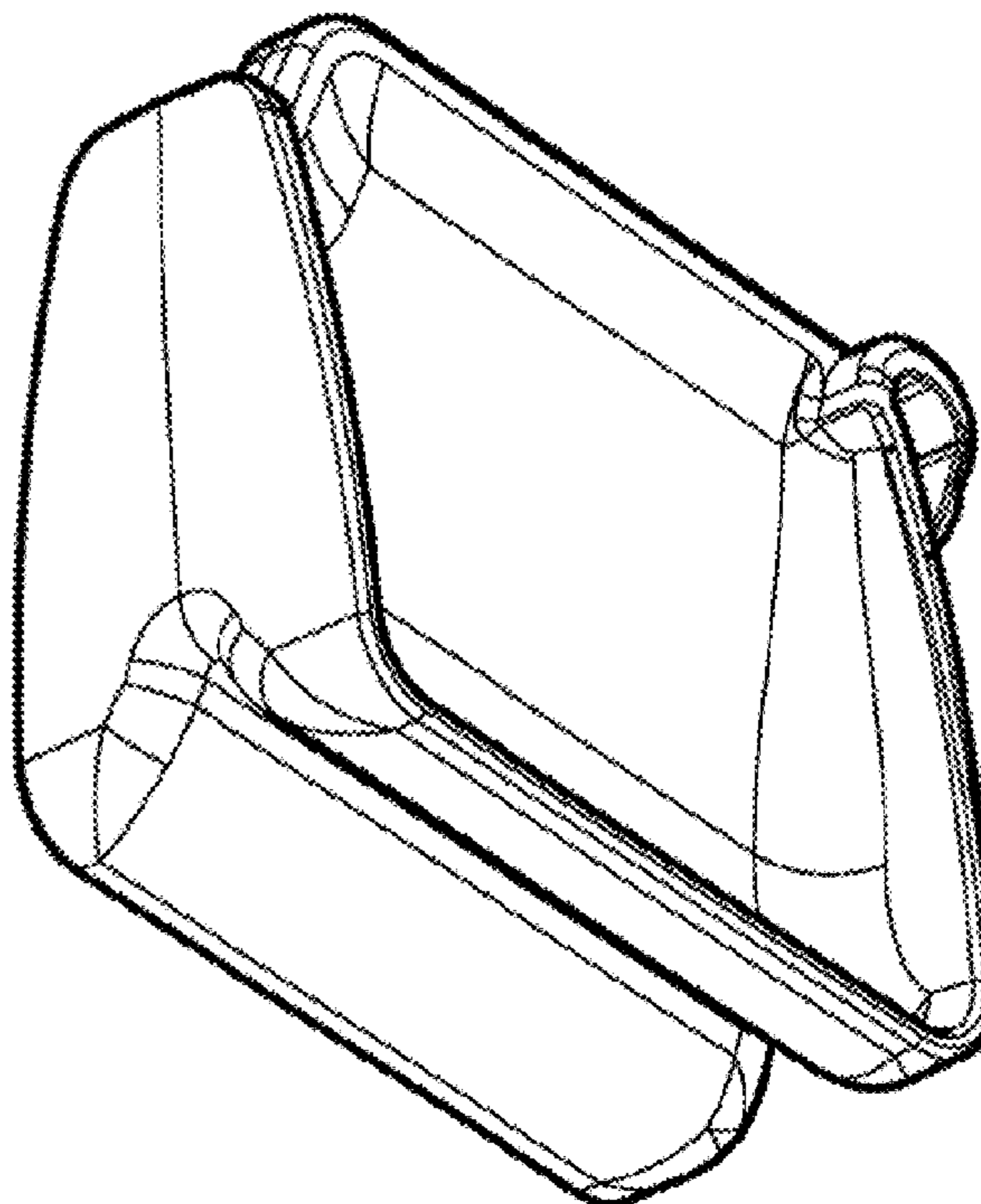
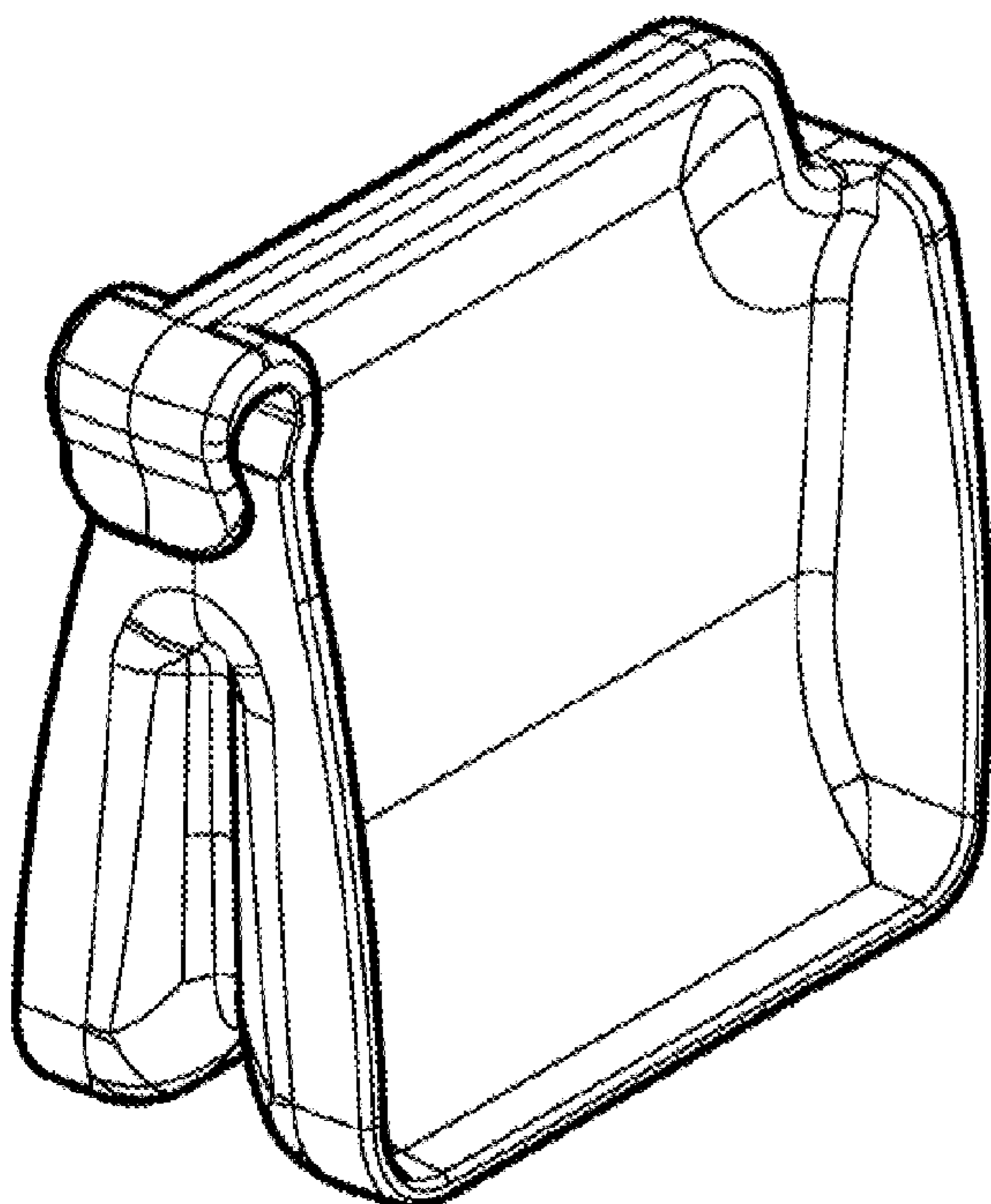
(57) **CLAIM**

The ornamental design for a container part, as shown and described.

**DESCRIPTION**

FIG. 1 is a top perspective view of the container part;  
FIG. 2 is a bottom perspective view thereof;  
FIG. 3 is a top plan view thereof;  
FIG. 4 is a bottom plan view thereof;  
FIG. 5 is a front elevation view thereof;  
FIG. 6 is a rear elevation view thereof;  
FIG. 7 is a left side elevation view thereof; and,  
FIG. 8 is a right side elevation view thereof.

**1 Claim, 2 Drawing Sheets**



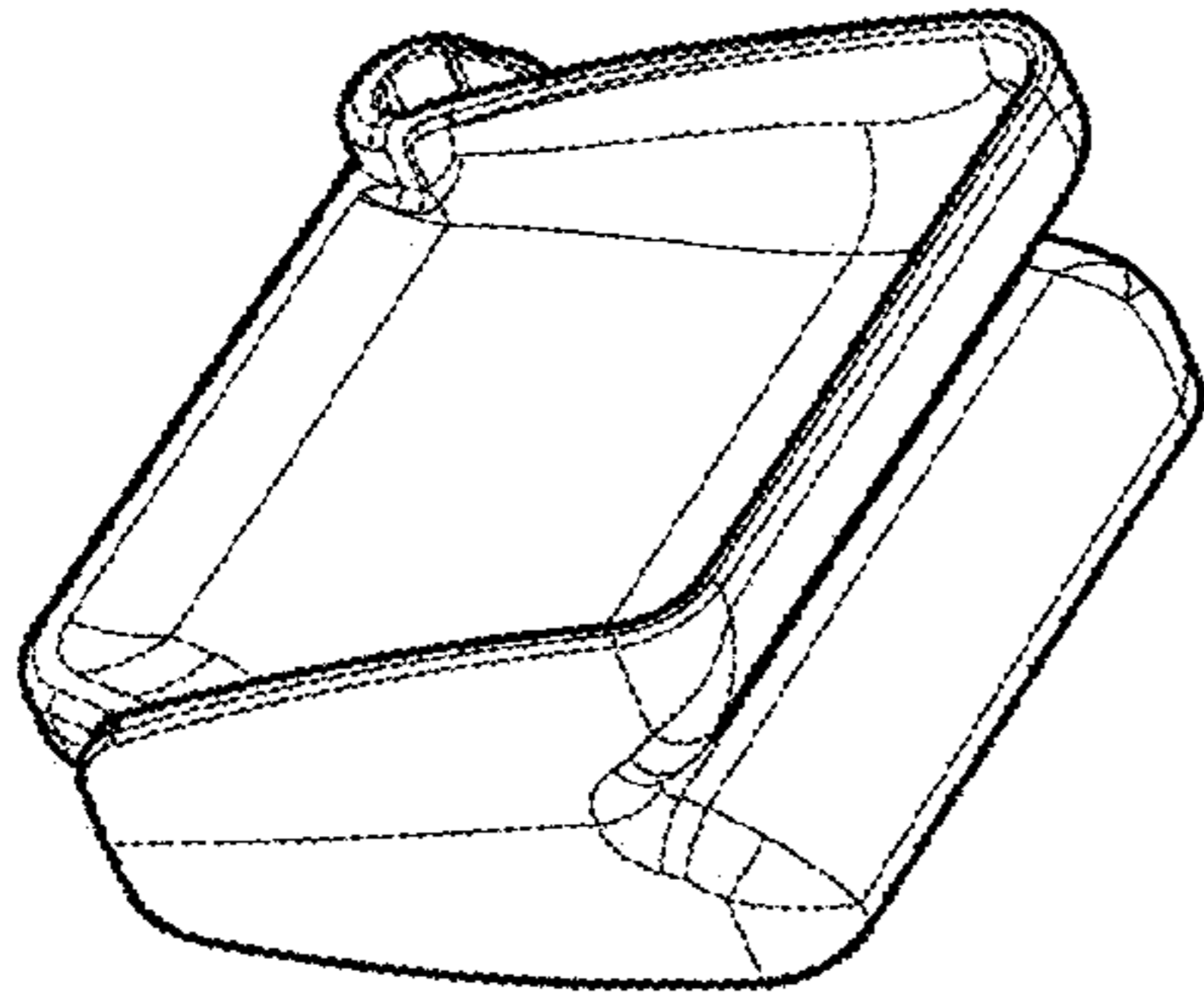


FIGURE 2

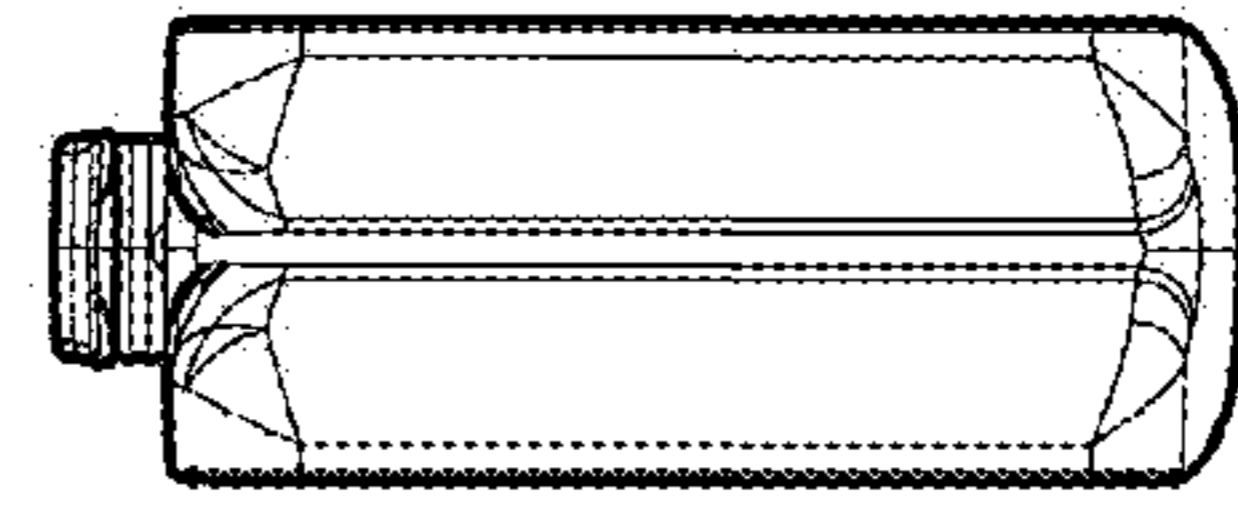


FIGURE 4

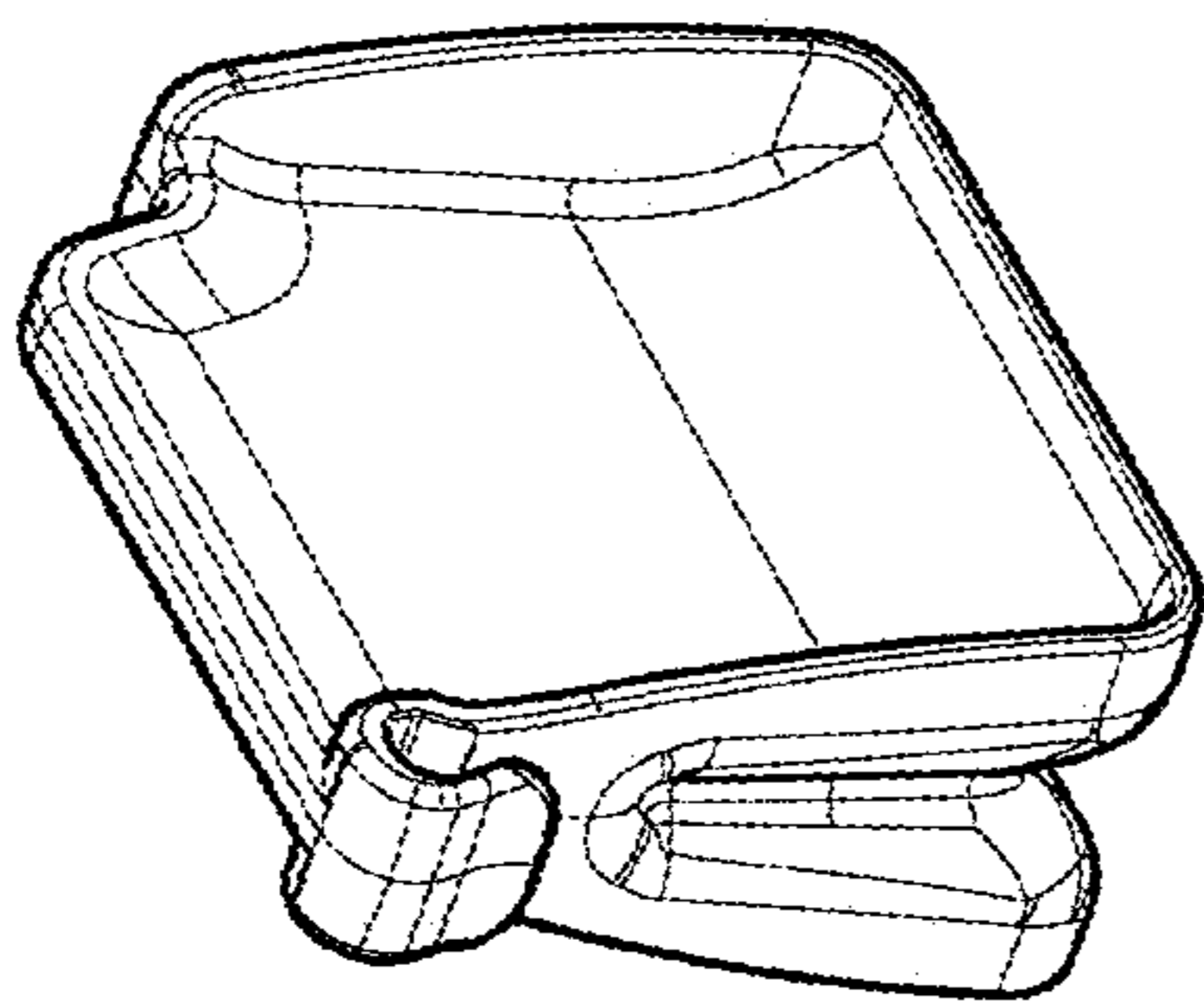


FIGURE 1

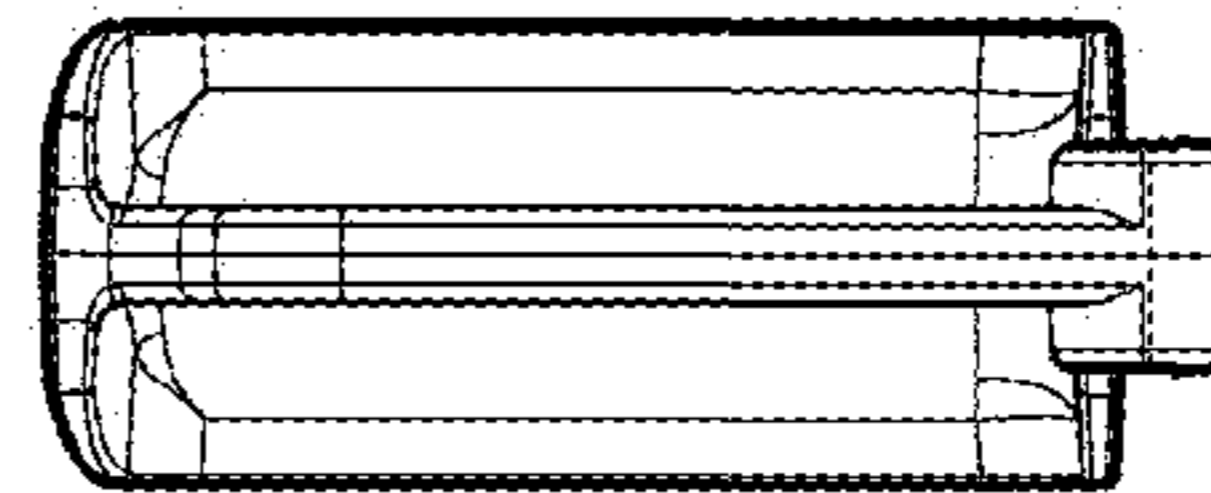


FIGURE 3

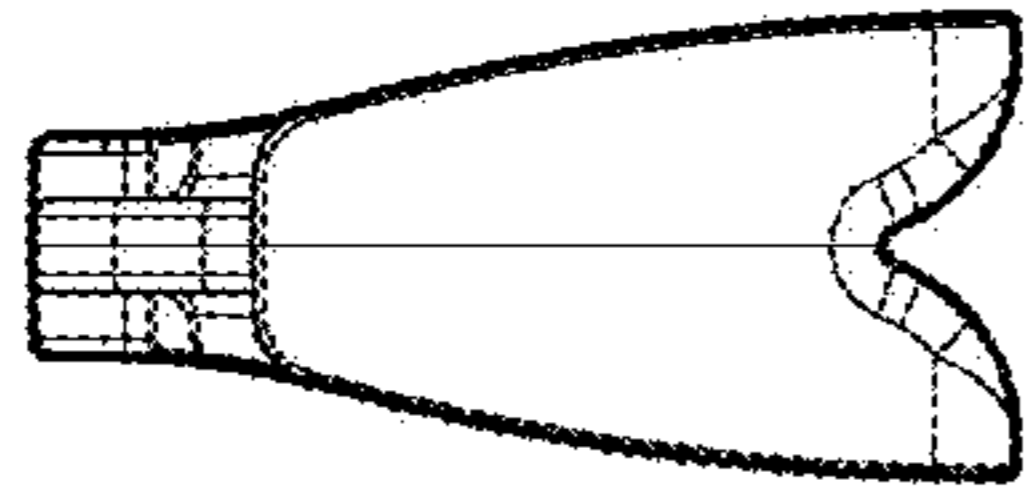


FIGURE 6

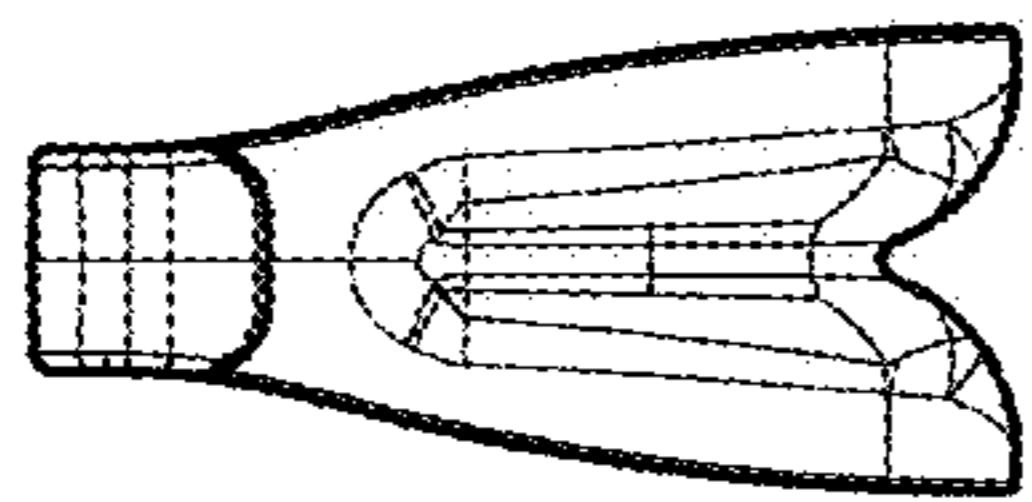


FIGURE 5

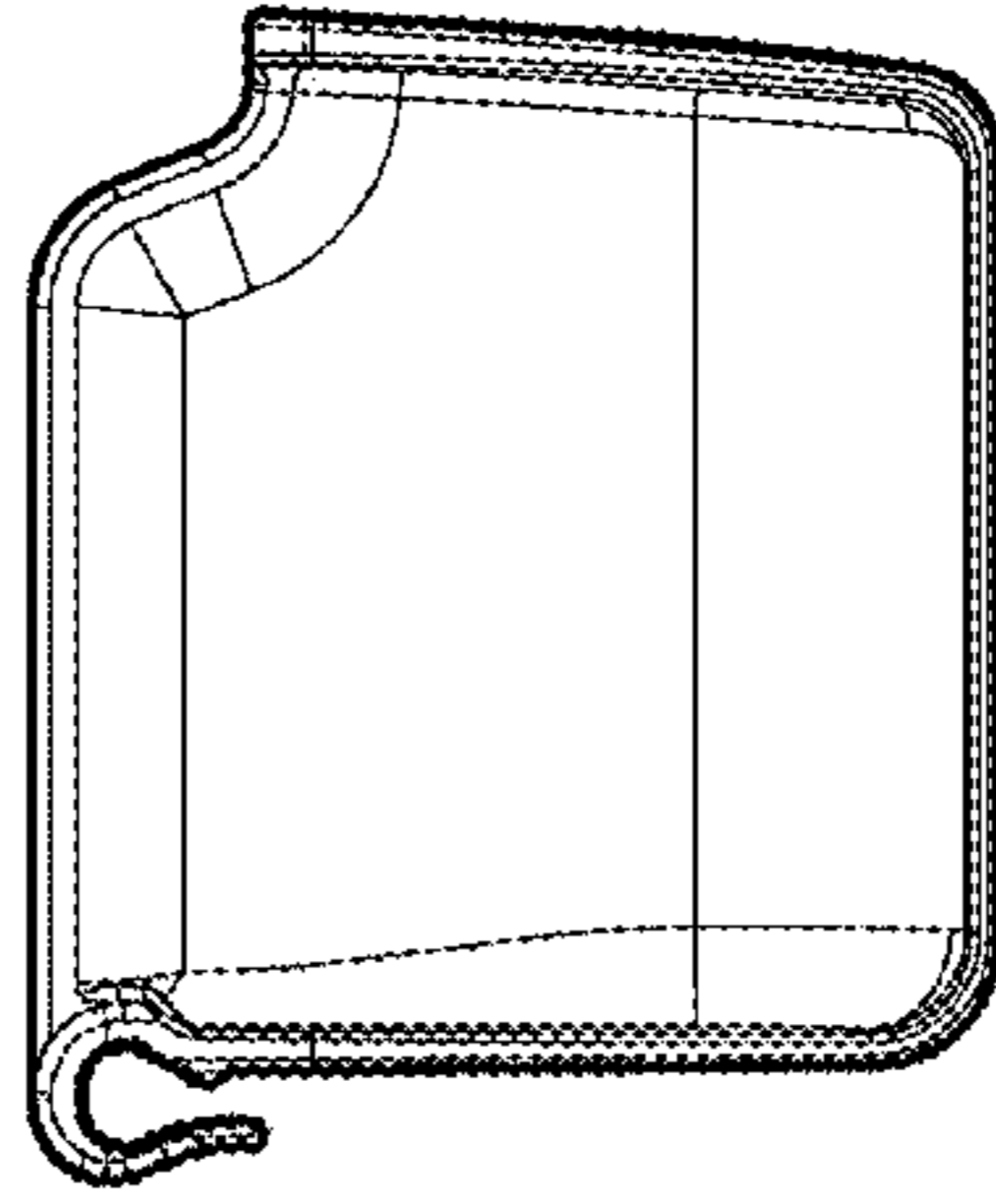


FIGURE 8

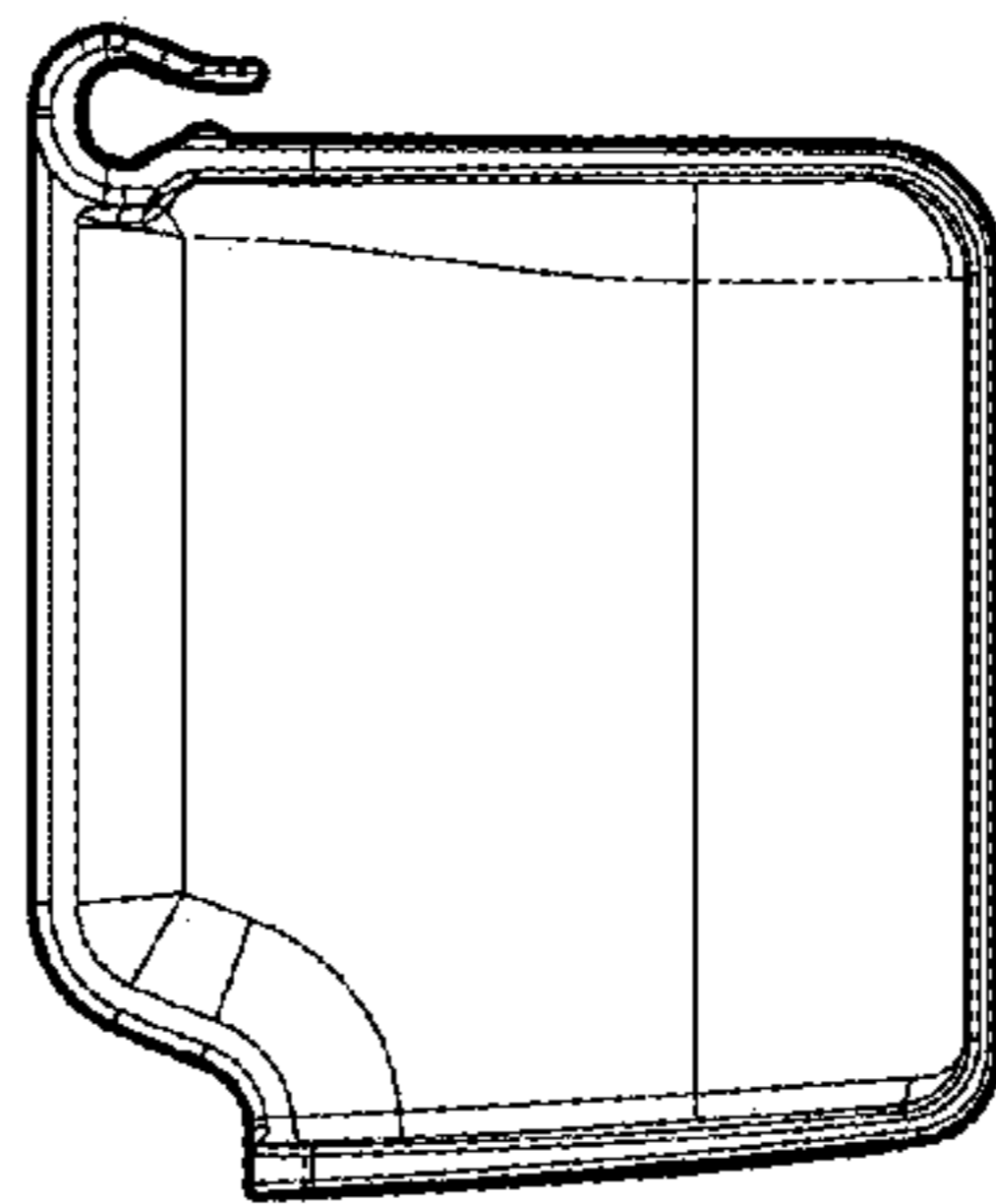


FIGURE 7