

US00D897197S

(12) **United States Design Patent** (10) **Patent No.:** **US D897,197 S**  
**Tidwell et al.** (45) **Date of Patent:** **\*\* Sep. 29, 2020**

- (54) **CONTAINER**
- (71) Applicants: **Justin Tidwell**, Brea, CA (US);  
**William Tidwell**, Brea, CA (US)
- (72) Inventors: **Justin Tidwell**, Brea, CA (US);  
**William Tidwell**, Brea, CA (US)
- (73) Assignee: **PWS PACKAGING SERVICES, INC.**, Brea, CA (US)
- (\*\*) Term: **15 Years**
- (21) Appl. No.: **29/728,907**
- (22) Filed: **Mar. 23, 2020**

**Related U.S. Application Data**

- (62) Division of application No. 16/826,605, filed on Mar. 23, 2020.
- (51) **LOC (12) Cl.** ..... **09-03**
- (52) **U.S. Cl.**  
USPC ..... **D9/418**
- (58) **Field of Classification Search**  
USPC ..... D9/414-418, 456, 761, 753, 433, 721,  
D9/432; D24/230; D27/189  
CPC ..... B65D 5/106  
See application file for complete search history.

(56) **References Cited**

**U.S. PATENT DOCUMENTS**

- D134,249 S \* 11/1942 Button ..... D9/761
- D178,074 S \* 6/1956 Lemieux ..... D9/456
- D180,339 S \* 5/1957 Pavelle ..... D9/456
- D353,091 S \* 12/1994 Mumford ..... D9/433
- D382,201 S \* 8/1997 Brondyke ..... D9/753
- D515,941 S \* 2/2006 Hamblin ..... D24/230
- D515,942 S \* 2/2006 Hamblin ..... D24/230
- D548,072 S \* 8/2007 Nixon ..... D9/432
- D591,593 S \* 5/2009 Stannard ..... D9/756

- D633,268 S \* 2/2011 Bottita ..... D34/6
- D661,016 S \* 5/2012 Borges ..... D27/189
- D678,052 S \* 3/2013 Bakker ..... D9/433
- D698,640 S \* 2/2014 Buchanan ..... D9/416
- D708,069 S \* 7/2014 Park ..... D9/432
- D731,323 S \* 6/2015 O'Neill ..... D9/721
- D855,452 S \* 8/2019 Palacios ..... D9/418
- RE47,979 E \* 5/2020 O'Neill ..... D9/721
- 2019/0256242 A1 \* 8/2019 Tidwell ..... B65D 5/106

\* cited by examiner

*Primary Examiner* — Rhea Shields

(74) *Attorney, Agent, or Firm* — Buche & Associates, P.C.; John K. Buche; Bryce A. Johnson

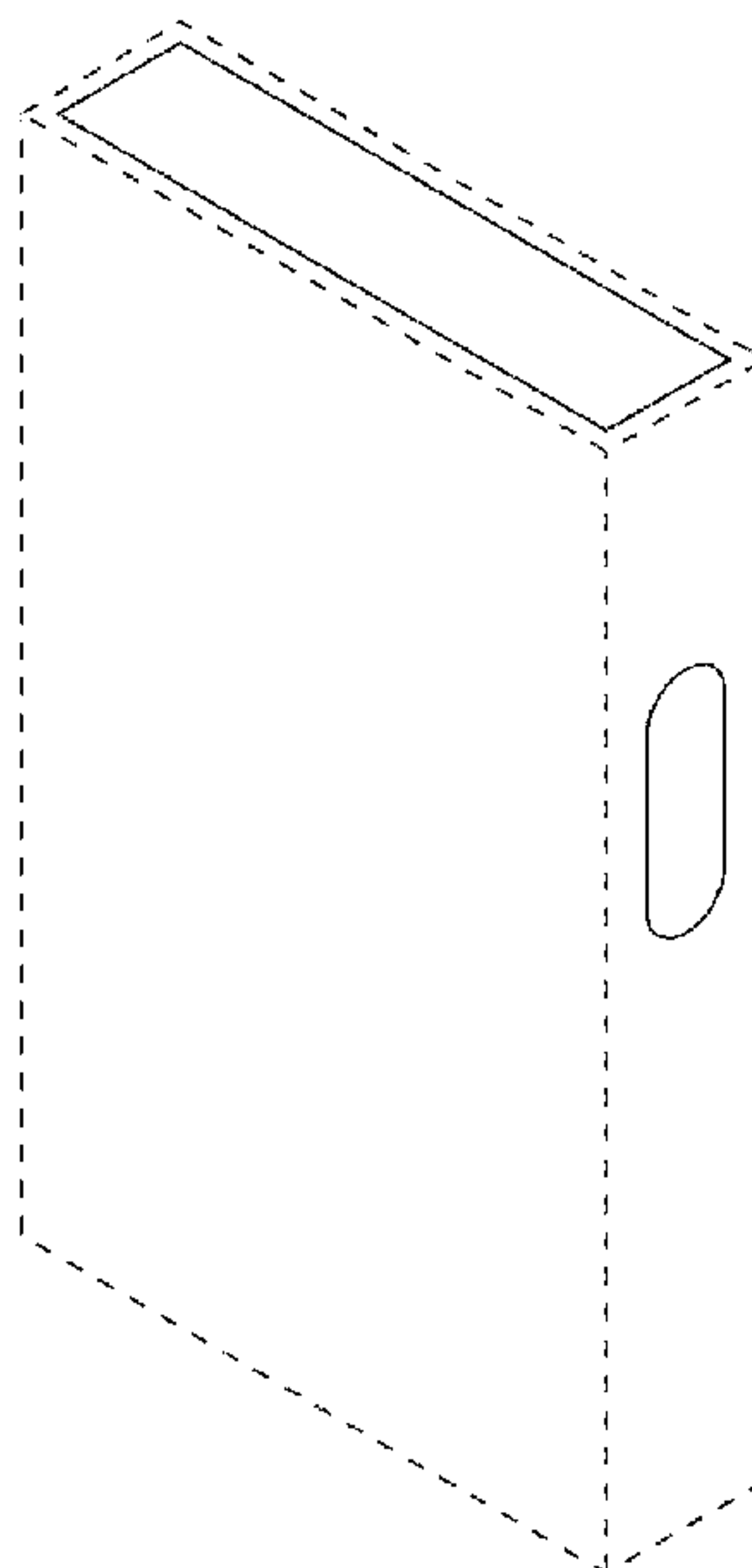
(57) **CLAIM**

We claim the ornamental design for a “container,” as shown and described.

**DESCRIPTION**

FIG. 1 is a perspective view of a container in a closed configuration;  
 FIG. 2 is a front view of the container of FIG. 1;  
 FIG. 3 is a back view of the container of FIG. 1;  
 FIG. 4 is a left side view of the container of FIG. 1;  
 FIG. 5 is a right side view of the container of FIG. 1;  
 FIG. 6 is a top view of the container of FIG. 1;  
 FIG. 7 is a bottom view of the container of FIG. 1;  
 FIG. 8 is a perspective view of the container of FIG. 1 in a closed configuration;  
 FIG. 9 is a perspective view of the container of FIG. 1 in an open configuration;  
 FIG. 10 is a front view of the container of FIG. 1 in an open configuration; and,  
 FIG. 11 is a perspective view of the container of FIG. 1 in an open configuration.  
 Broken lines depict portions of the container and form no part of the claimed design.

**1 Claim, 8 Drawing Sheets**



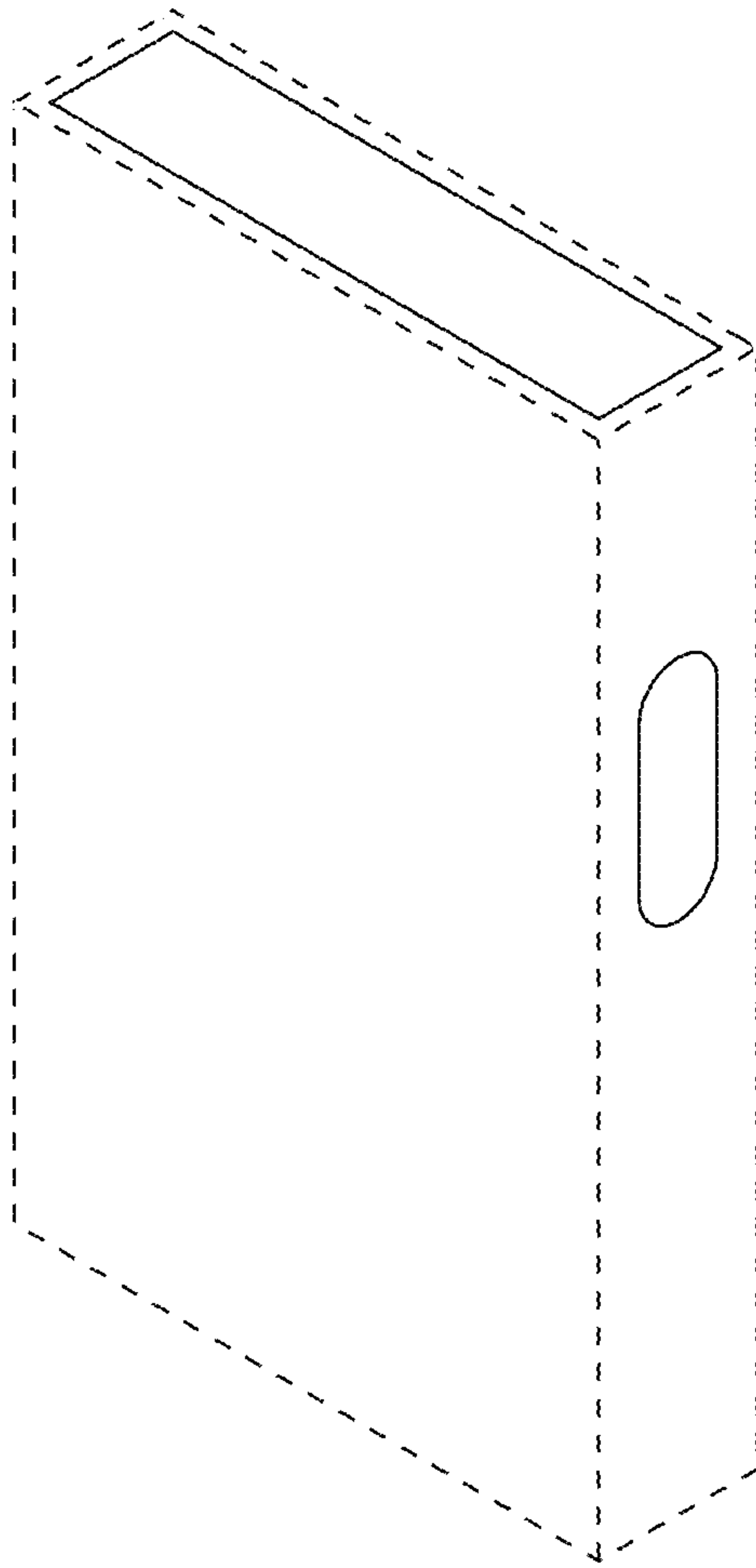


FIG. 1

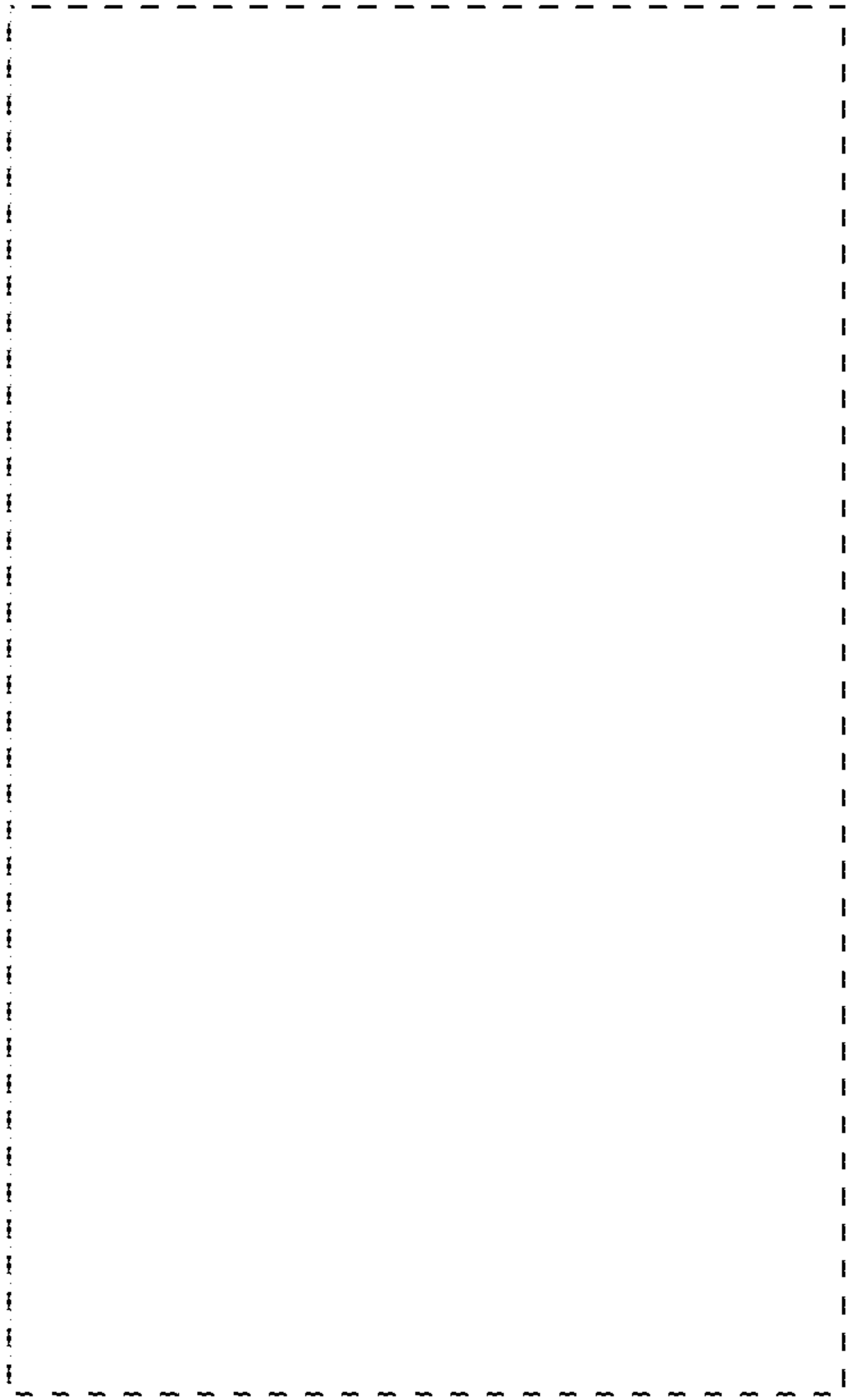


FIG. 2

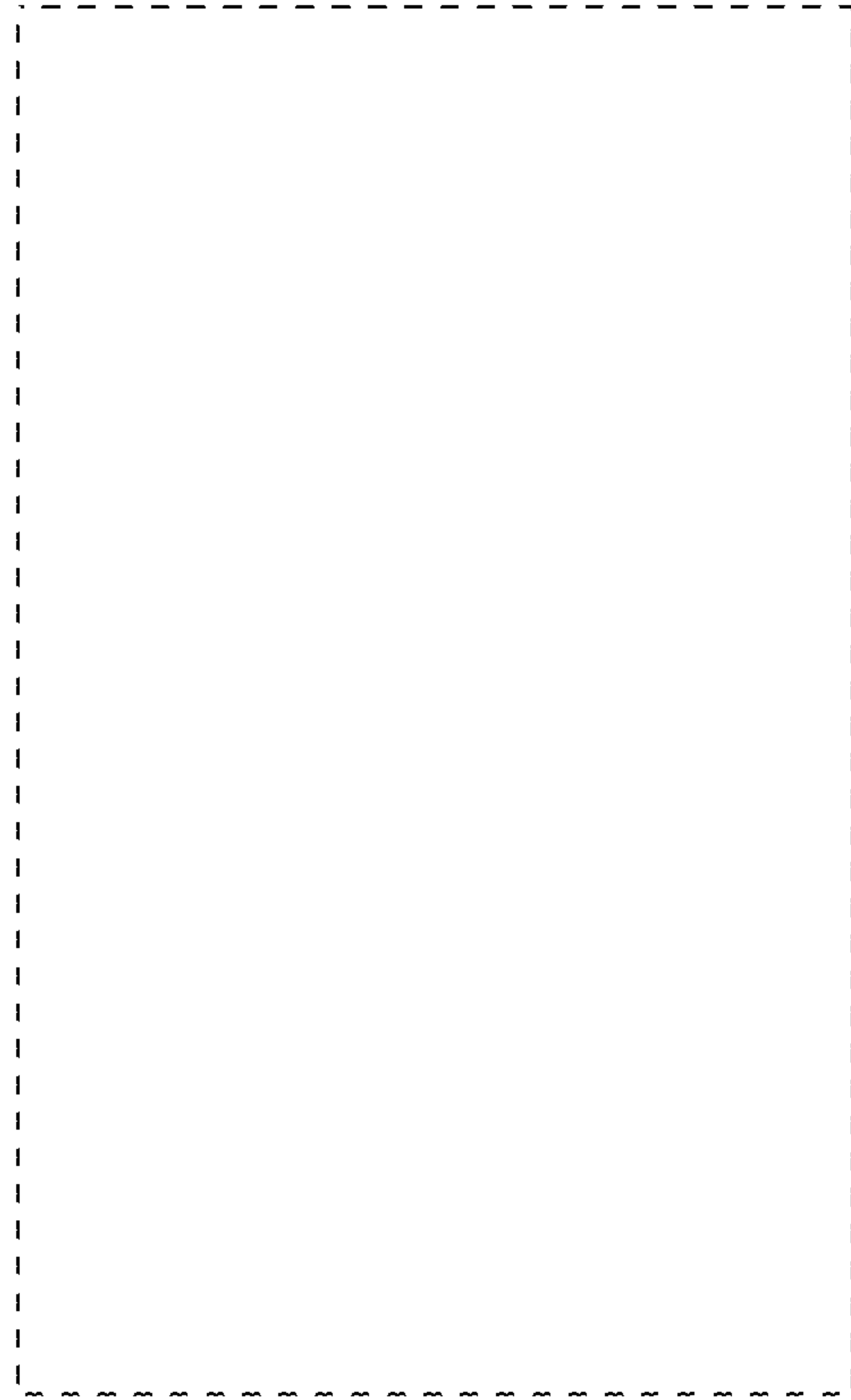


FIG. 3

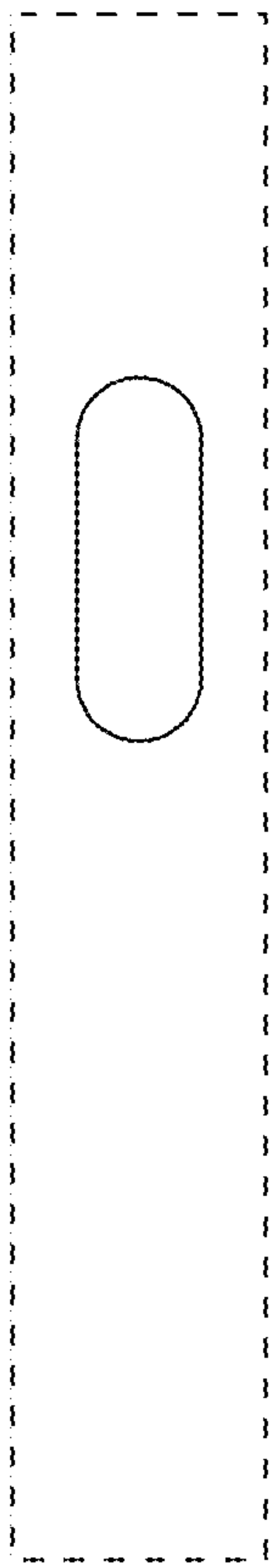


FIG. 4

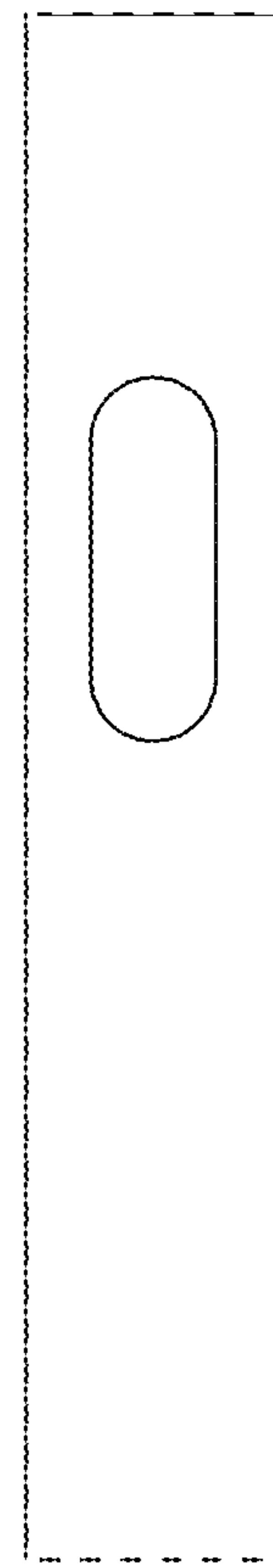


FIG. 5

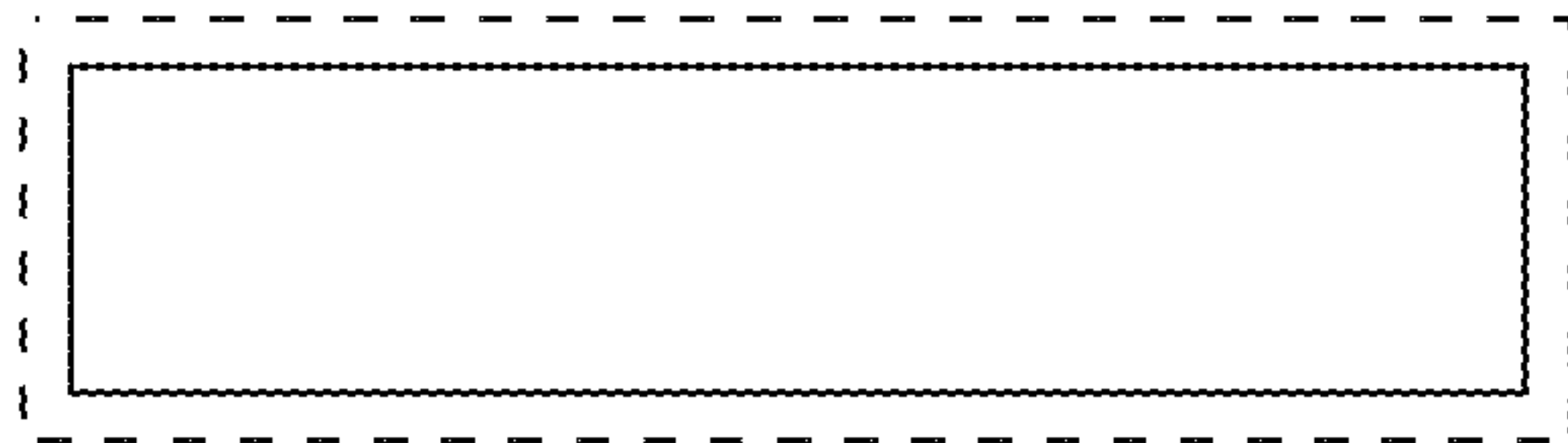


FIG. 6

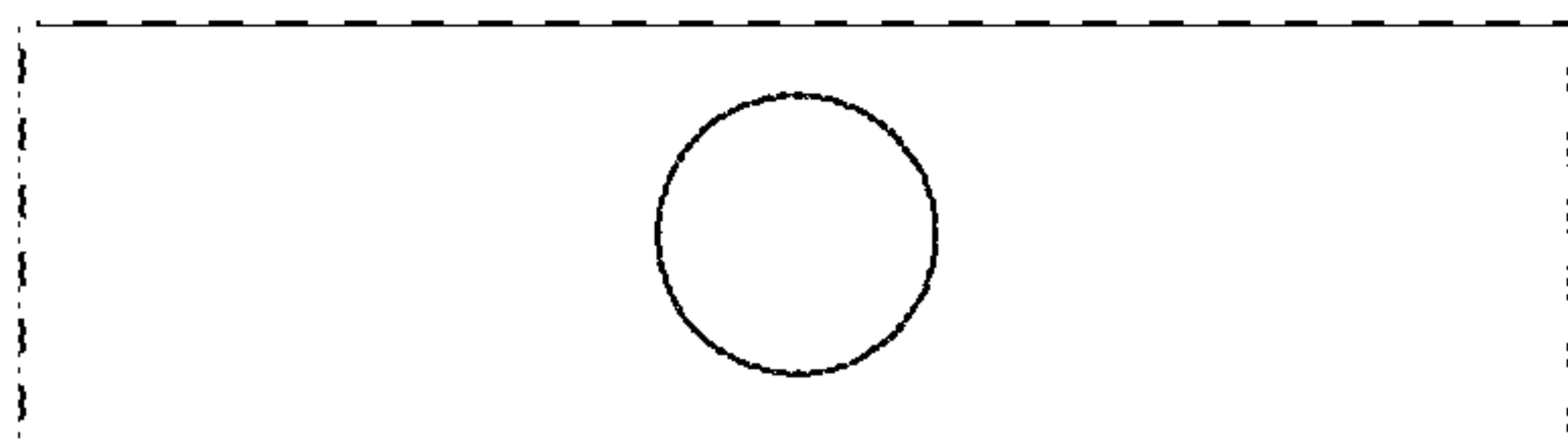


FIG. 7

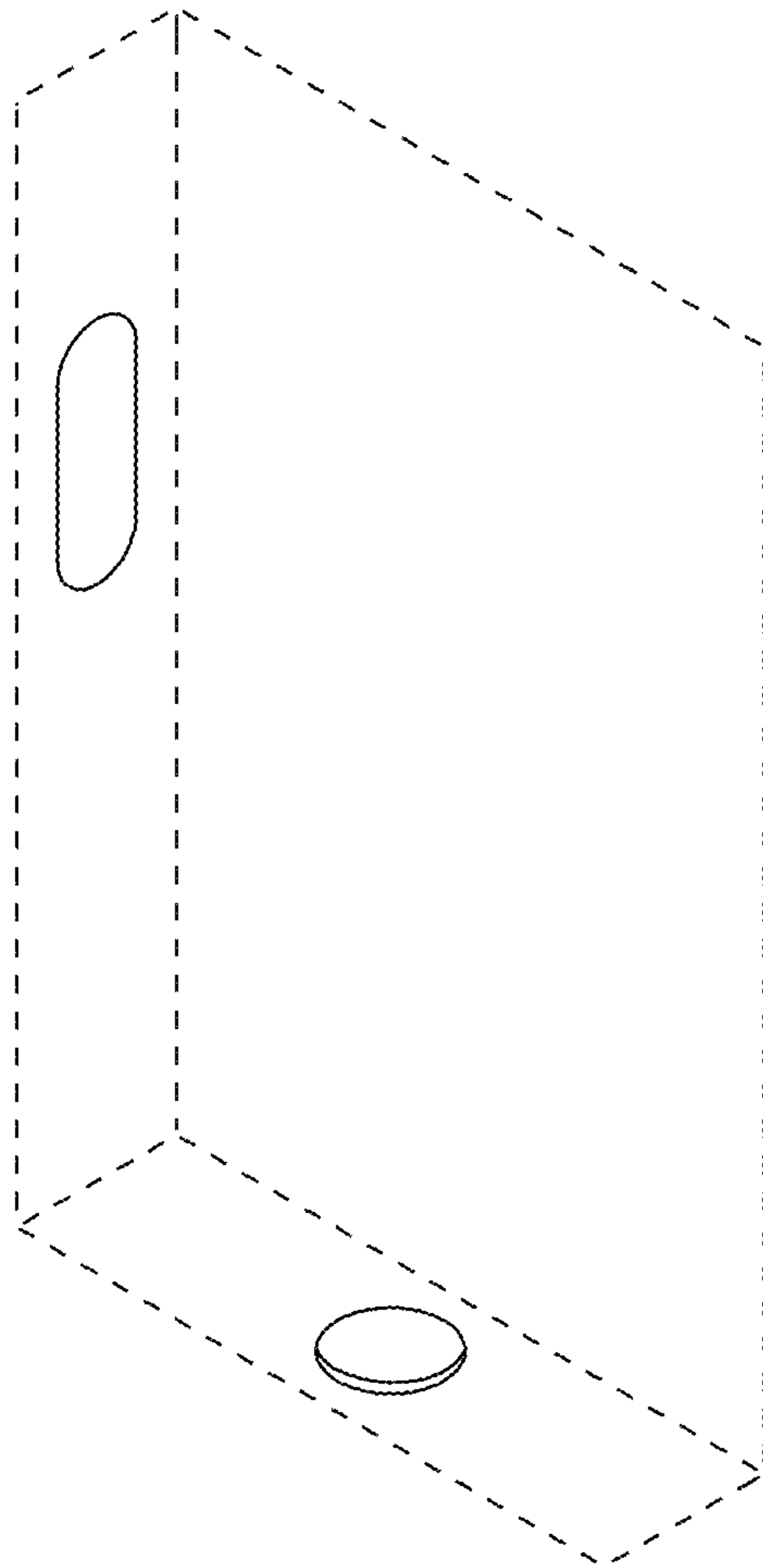


FIG. 8

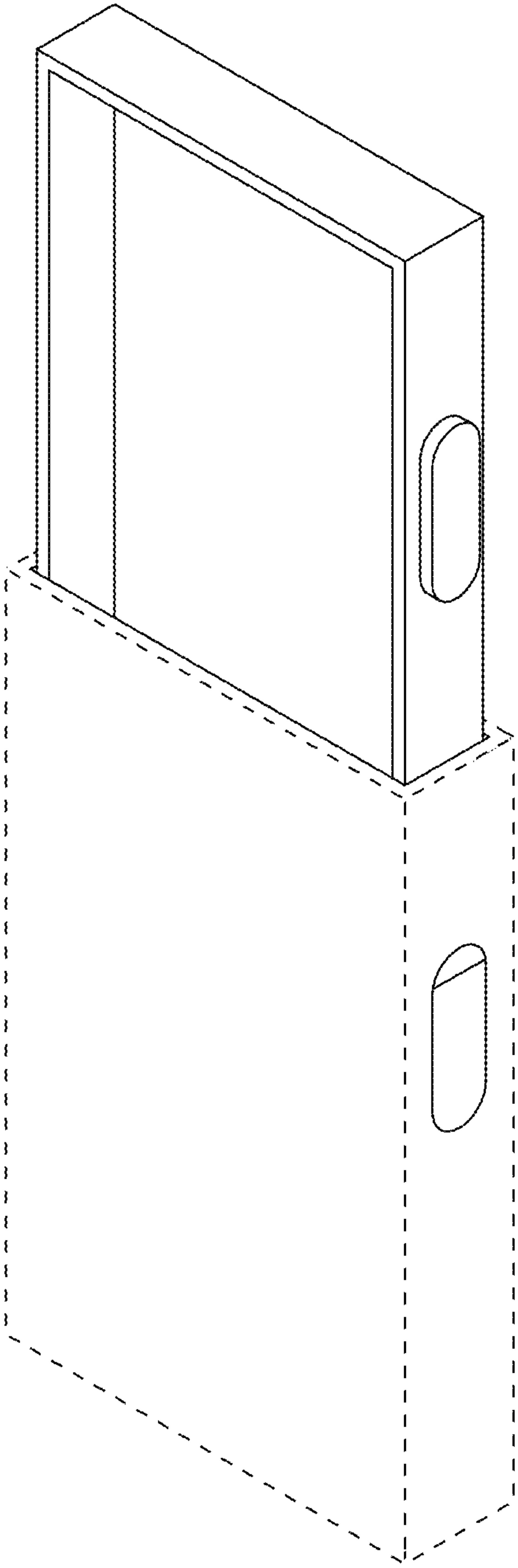


FIG. 9

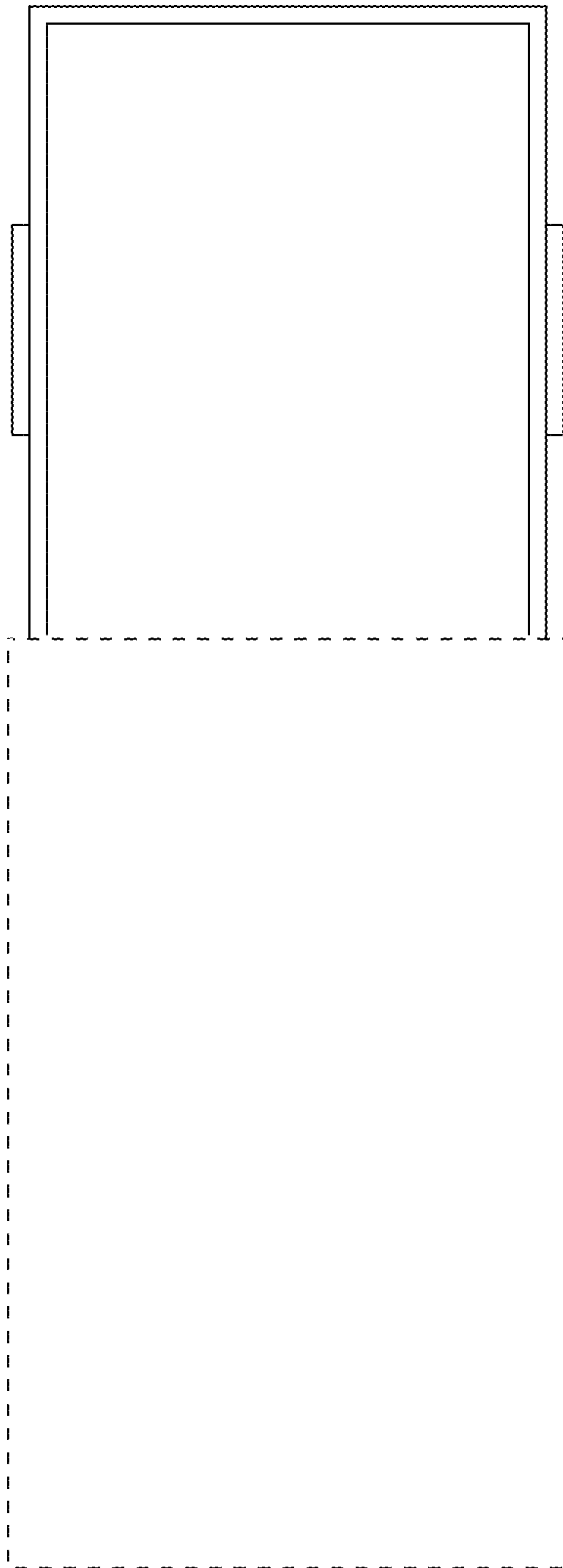


FIG. 10



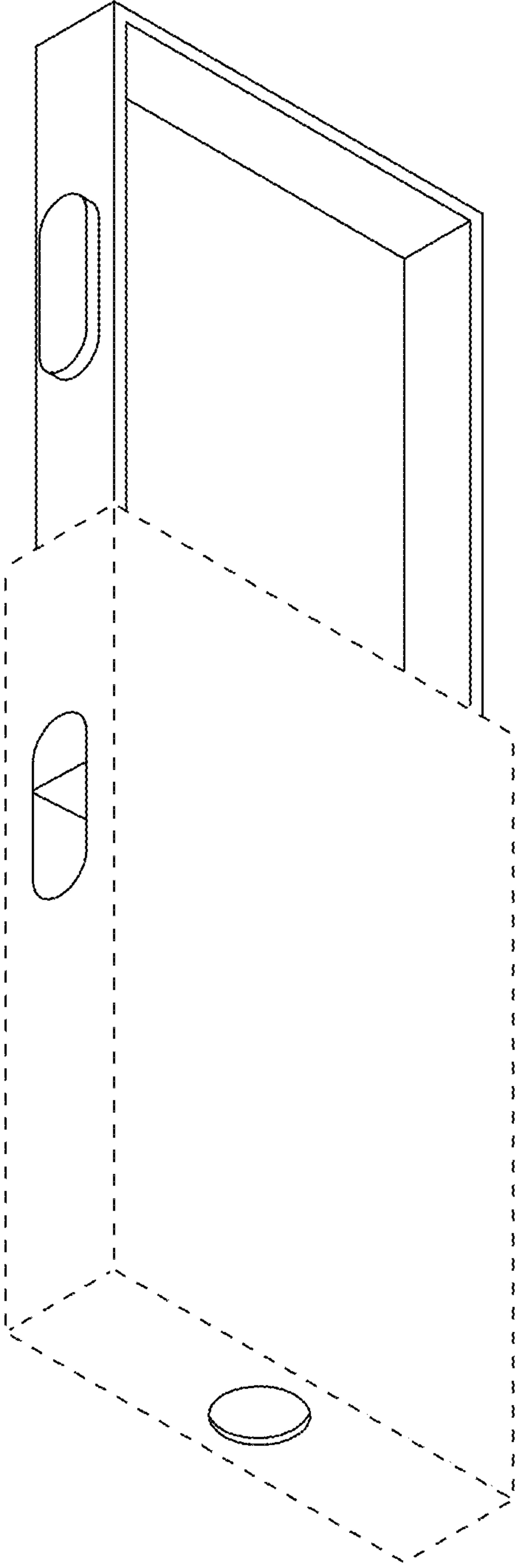


FIG. 11