



US00D897196S

(12) **United States Design Patent** (10) **Patent No.:** **US D897,196 S**
Lyle et al. (45) **Date of Patent:** **** Sep. 29, 2020**

(54) **AIR FILTER PACKAGE**

(56) **References Cited**

(71) Applicant: **MANN+HUMMEL GmbH**,
Ludwigsburg (DE)

U.S. PATENT DOCUMENTS

(72) Inventors: **Steven Lyle**, Ahrensburg (DE); **Daniel Graf**, Quickborn (DE)

D364,346 S *	11/1995	Yamada	D9/432
D364,805 S *	12/1995	Hata	D9/432
D489,002 S *	4/2004	Meyer	D9/669
D522,856 S *	6/2006	Hamuro	D9/432
D562,694 S *	2/2008	Norton	D9/649
D580,263 S *	11/2008	Yi Man	D9/432
D599,201 S *	9/2009	Seol	D9/432
D603,271 S *	11/2009	Kusumi	D9/432
D603,701 S *	11/2009	Seol	D9/432
D608,636 S *	1/2010	Seol	D9/432
D610,904 S *	3/2010	Russell	D9/432
D612,261 S *	3/2010	Champion	D9/432
D625,196 S *	10/2010	Partin	D9/645
D626,010 S *	10/2010	Criss	D9/711
D632,973 S *	2/2011	Criss	D9/711
D634,620 S *	3/2011	Edwards	D9/432
D637,486 S *	5/2011	Andrew	D5/7

(73) Assignee: **MANN+HUMMEL GmbH**,
Ludwigsburg (DE)

(**) Term: **15 Years**

(21) Appl. No.: **29/629,314**

(22) Filed: **Dec. 12, 2017**

(Continued)

Related U.S. Application Data

Primary Examiner — Rhea Shields

(62) Division of application No. 29/520,250, filed on Mar. 12, 2015, now Pat. No. Des. 807,166.

(74) *Attorney, Agent, or Firm* — James Hasselbeck

(30) **Foreign Application Priority Data**

(57) **CLAIM**

Sep. 12, 2014	(EM)	002536565-0004
Sep. 12, 2014	(EM)	002536565-0005
Mar. 4, 2015	(EM)	002645903-0002
Mar. 4, 2015	(EM)	002645903-0003
Mar. 4, 2015	(EM)	002645903-0004

The ornamental design for an air filter package, as shown and described.

(51) **LOC (12) Cl.** **09-03**

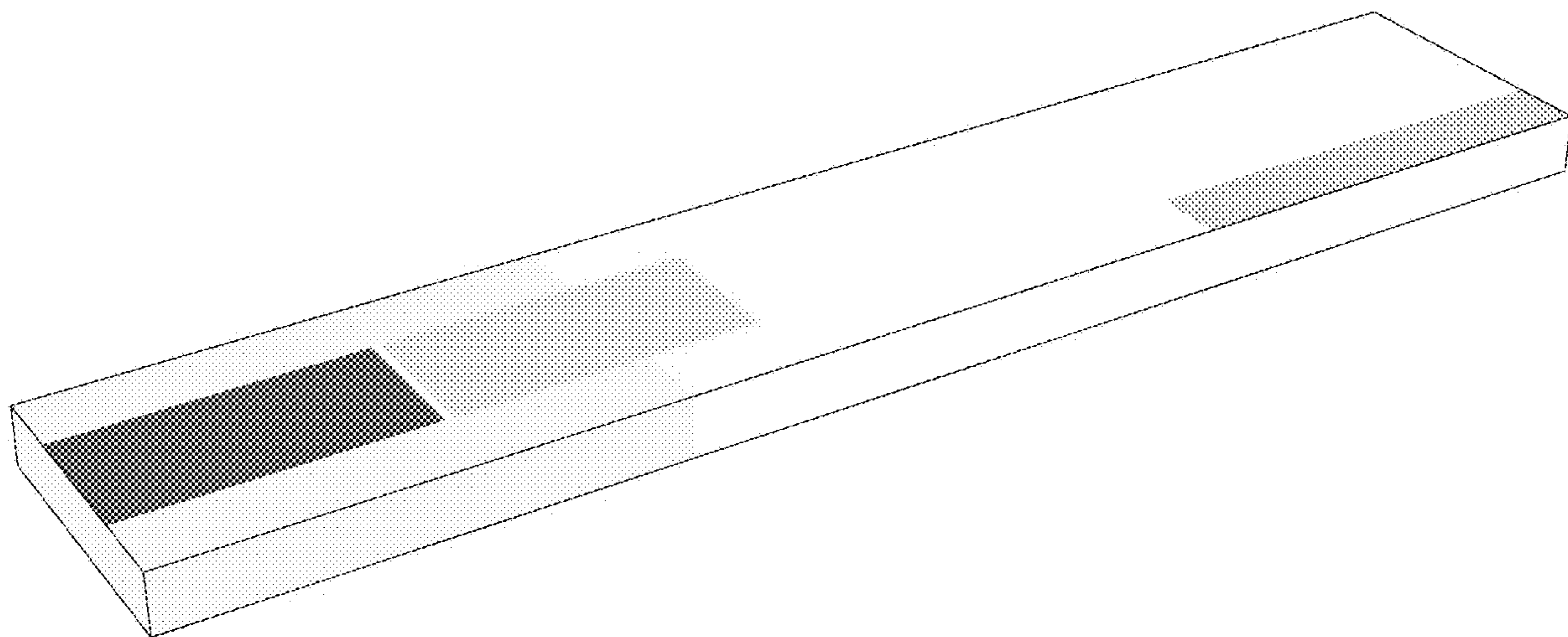
(52) **U.S. Cl.**
USPC **D9/414**

DESCRIPTION

(58) **Field of Classification Search**
USPC D9/414-418, 423, 721, 432-435, 649,
D9/655, 711, 669, 645, 499, 516, 625;
D5/7, 8, 63; D27/194
CPC B65D 5/42
See application file for complete search history.

The patent or application file contains at least one drawing executed in color. Copies of this patent or patent application publication with color drawing(s) will be provided by the Office upon request and payment of the necessary fee.
FIG. 1 is a front view of the air filter package showing our new design;
FIG. 2 is a rear view thereof;
FIG. 3 is a bottom view thereof;
FIG. 4 is a top view thereof;
FIG. 5 is a left side view thereof;
FIG. 6 is a right side view thereof; and,
FIG. 7 is front perspective view thereof.

1 Claim, 7 Drawing Sheets
(6 of 7 Drawing Sheet(s) Filed in Color)



(56)

References Cited

U.S. PATENT DOCUMENTS

D639,179 S * 6/2011 Powers D9/434
 D650,273 S * 12/2011 Tekulve D9/432
 D650,659 S * 12/2011 Tucker D9/423
 D651,097 S * 12/2011 Charles D9/721
 D652,736 S * 1/2012 Boyer D9/432
 D655,156 S * 3/2012 Schrimpf D9/432
 D656,817 S * 4/2012 Tucker D9/432
 D656,826 S * 4/2012 Bohache D9/516
 D660,145 S * 5/2012 Tekulve D9/432
 D669,790 S * 10/2012 Powers D9/434
 D677,580 S * 3/2013 Powers D9/434
 D681,346 S * 5/2013 Leonard D5/8
 D683,548 S * 6/2013 Leonard D5/63
 D684,467 S * 6/2013 Macaulay D9/432
 D687,707 S * 8/2013 Craig D9/434
 D691,470 S * 10/2013 Macaulay D9/434
 D691,887 S * 10/2013 Macaulay D9/434
 D701,760 S * 4/2014 Fraser D9/434
 D710,687 S * 8/2014 Katopo B65D 5/42
 D718,620 S * 12/2014 Bischoff D9/435
 D740,651 S * 10/2015 Uribe D9/414
 D741,710 S * 10/2015 Katopo D9/433
 D743,795 S * 11/2015 Castan Artal D9/499
 D744,333 S * 12/2015 Hood D9/434

D745,394 S * 12/2015 Hood D9/432
 D747,196 S * 1/2016 Merchant D9/434
 D749,945 S * 2/2016 Katopo B65D 5/42
 D749,947 S * 2/2016 Powers D9/434
 D752,439 S * 3/2016 Abel D9/499
 D753,487 S * 4/2016 Wells D9/434
 D754,003 S * 4/2016 Pfeiffer D9/655
 D764,289 S * 8/2016 Hauck D9/432
 D764,290 S * 8/2016 Alexander D9/434
 D765,506 S * 9/2016 Alexander D9/434
 D768,501 S * 10/2016 Spenceman D9/434
 D769,116 S * 10/2016 Nam D9/433
 D769,121 S * 10/2016 Mochizuki D9/499
 D772,060 S * 11/2016 O'Dowd D9/432
 D772,712 S * 11/2016 Uribe D9/499
 D775,964 S * 1/2017 Mochizuki D9/432
 D777,035 S * 1/2017 Uribe D9/499
 D782,299 S * 3/2017 Brody D9/432
 D783,396 S * 4/2017 Riffe D9/434
 D783,397 S * 4/2017 Riffe D9/434
 D793,620 S * 8/2017 Bennett D27/194
 D795,073 S * 8/2017 Powers D9/499
 D796,314 S * 9/2017 Riffe D9/414
 D813,030 S * 3/2018 Powers D9/516
 D820,676 S * 6/2018 Powers D9/625
 D842,097 S * 3/2019 Huggins D9/432

* cited by examiner

Fig. 1

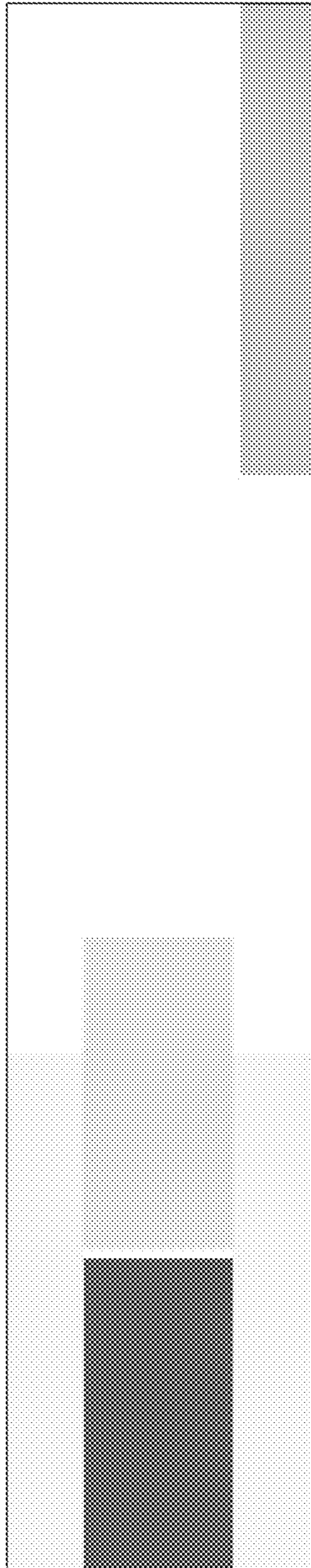


Fig. 2

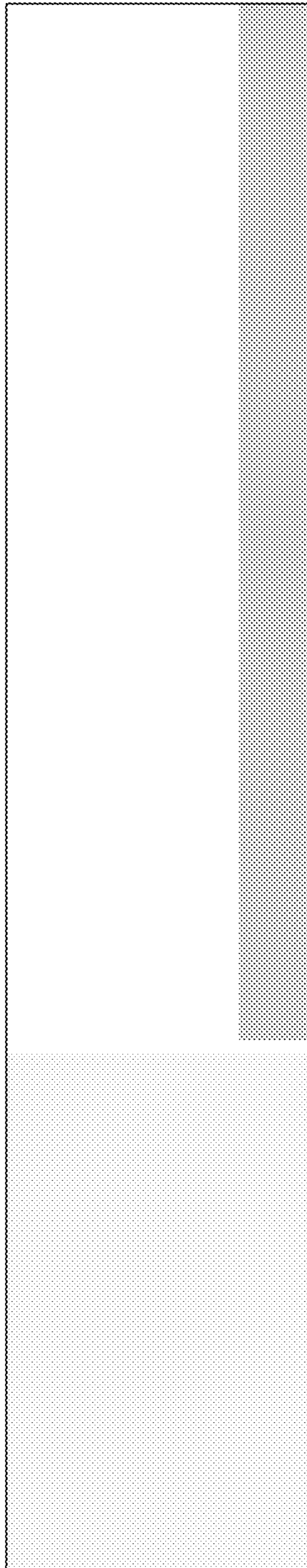


Fig.3



Fig. 4

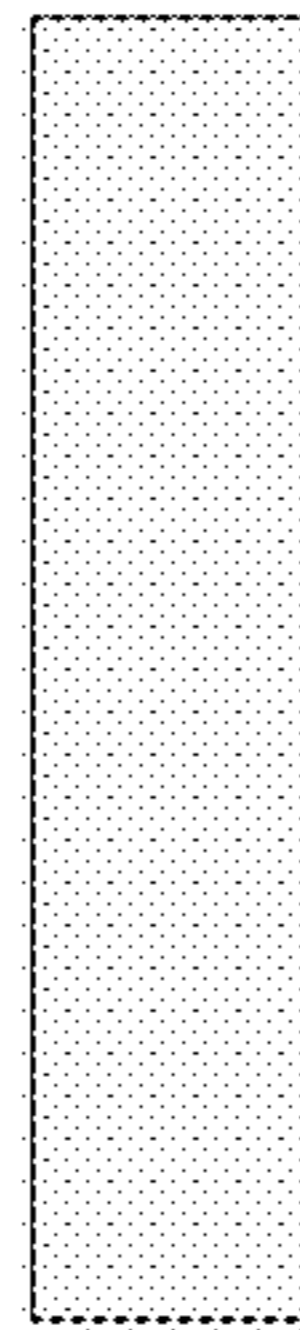




Fig. 5



Fig. 6

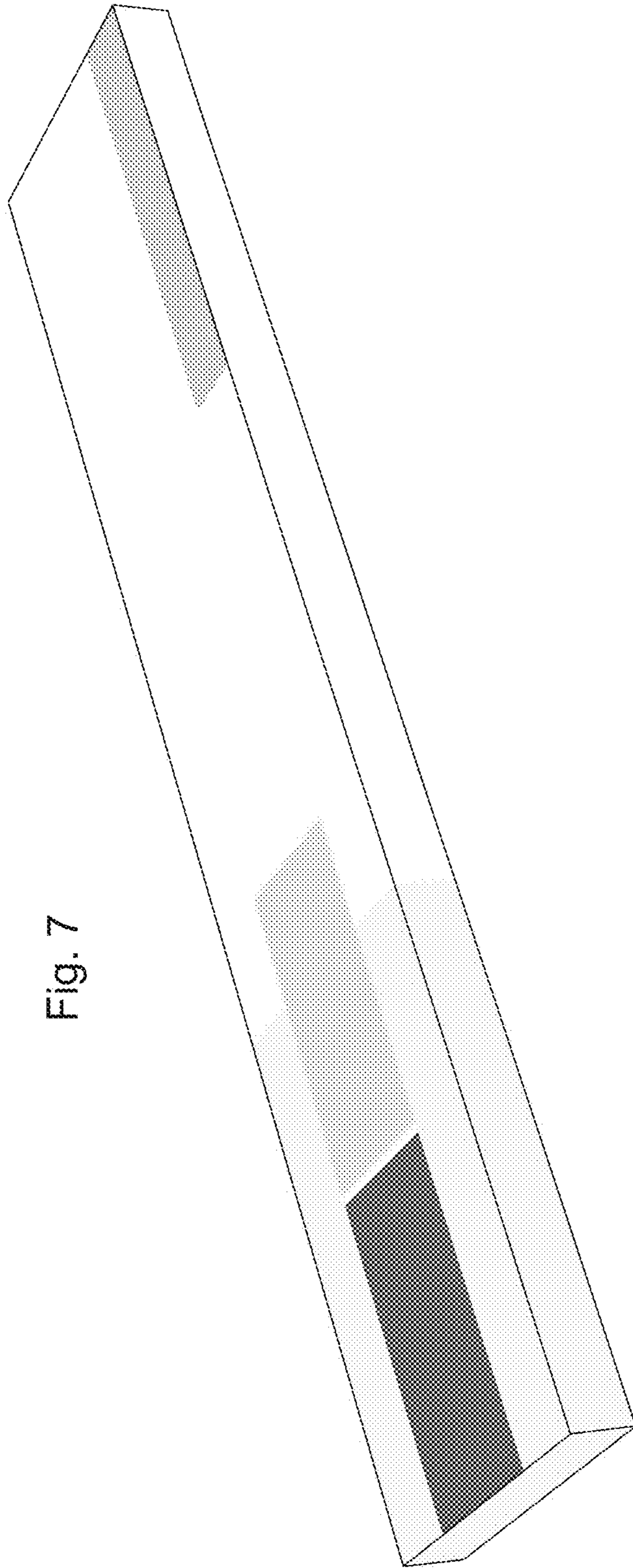


Fig. 7