



US00D897194S

(12) **United States Design Patent**
Poppe et al.

(10) **Patent No.:** **US D897,194 S**

(45) **Date of Patent:** **** Sep. 29, 2020**

(54) **POLE CLAMP**

(71) Applicant: **GCX Corporation**, Petaluma, CA (US)

(72) Inventors: **Carl Hermann Poppe**, Sebastopol, CA (US); **Ronald Jesse Caywood**, Rohnert Park, CA (US)

(73) Assignee: **GCX Corporation**, Petaluma, CA (US)

(**) Term: **15 Years**

(21) Appl. No.: **29/650,761**

(22) Filed: **Jun. 8, 2018**

(51) **LOC (12) Cl.** **08-08**

(52) **U.S. Cl.**
USPC **D8/394**; D8/72

(58) **Field of Classification Search**
USPC D8/394–396, 349–356, 373, 400, 21–26,
D8/29, 499, 72
CPC . H01R 11/11; F16L 23/036; F16L 3/13; F16L
3/1033; E04B 2/74
See application file for complete search history.

(56) **References Cited**

U.S. PATENT DOCUMENTS

D251,345 S *	3/1979	Bigelow	D32/64
D313,934 S *	1/1991	Nakao	D32/64
D440,409 S *	4/2001	Blanchard	D6/326
D578,781 S *	10/2008	Hansen	D6/328
D621,627 S *	8/2010	Mangano	D6/328
D667,724 S *	9/2012	Mangano	D8/395
D693,979 S *	11/2013	Gringer	D32/54
D731,055 S *	6/2015	Hyde	D24/143
D788,575 S *	6/2017	Kim	D8/395
D814,284 S *	4/2018	Howard	D8/395
D864,703 S *	10/2019	Arlidge	D8/395
D865,508 S *	11/2019	Zou	D8/396

D873,126 S *	1/2020	Tang	D8/395
2005/0274237 A1 *	12/2005	Winkler	B25B 7/12 81/367
2009/0014934 A1 *	1/2009	Seber	B25B 5/101 269/207
2013/0345529 A1 *	12/2013	Barrett	A61B 5/14535 600/322
2018/0161961 A1 *	6/2018	Kopacz, Jr.	B25B 5/003
2018/0316126 A1 *	11/2018	Landeros	B25B 7/123
2018/0361542 A1 *	12/2018	Dahl	B25B 7/123

* cited by examiner

Primary Examiner — John Windmuller

(74) *Attorney, Agent, or Firm* — Perkins Coie LLP;
Michael Glenn

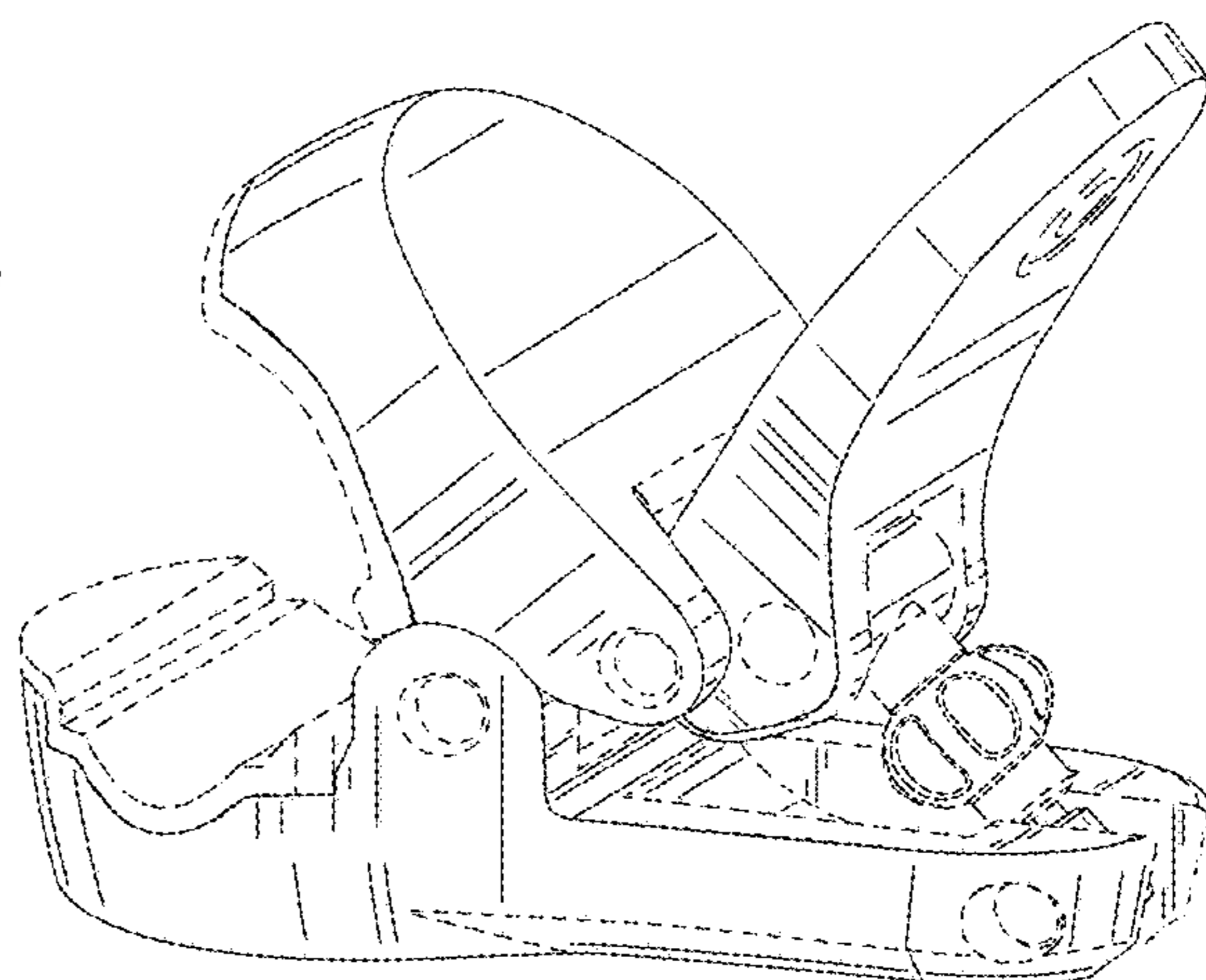
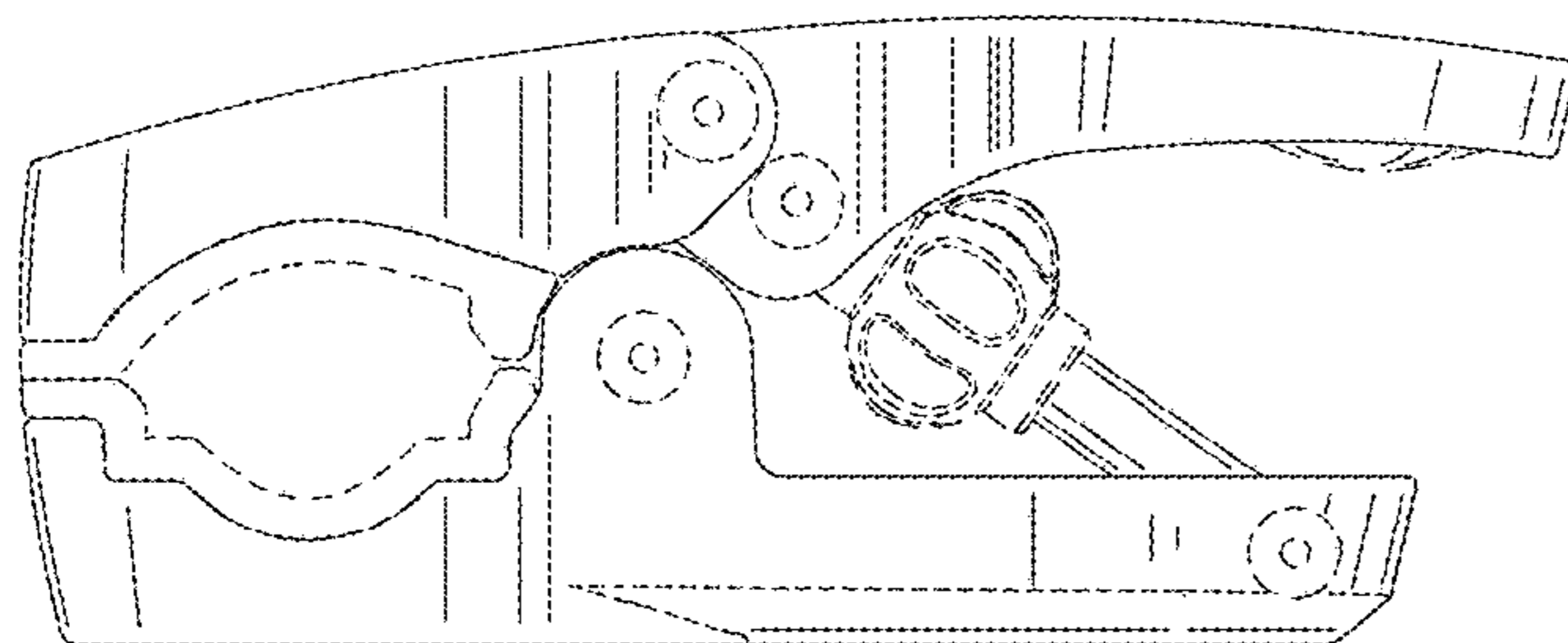
(57) **CLAIM**

The ornamental design for a pole clamp, as shown and described.

DESCRIPTION

FIG. 1 is a side view of a pole clamp;
FIG. 2 is a top view thereof;
FIG. 3 is a bottom view thereof;
FIG. 4 is a three-quarter top view thereof;
FIG. 5 is a front view thereof;
FIG. 6 is a back view thereof;
FIG. 7 is a three-quarter bottom view thereof;
FIG. 8 is a three-quarter side view of the pole clamp opened to a first degree;
FIG. 9 is a three-quarter side view of the pole clamp opened to a second degree; and,
FIG. 10 is the pole clamp attached to a pole.
The broken lines within the pole clamp and outside the pole clamp in FIGS. 1-10 represent portions of the pole clamp and the environment which form no part of the claimed design.

1 Claim, 10 Drawing Sheets



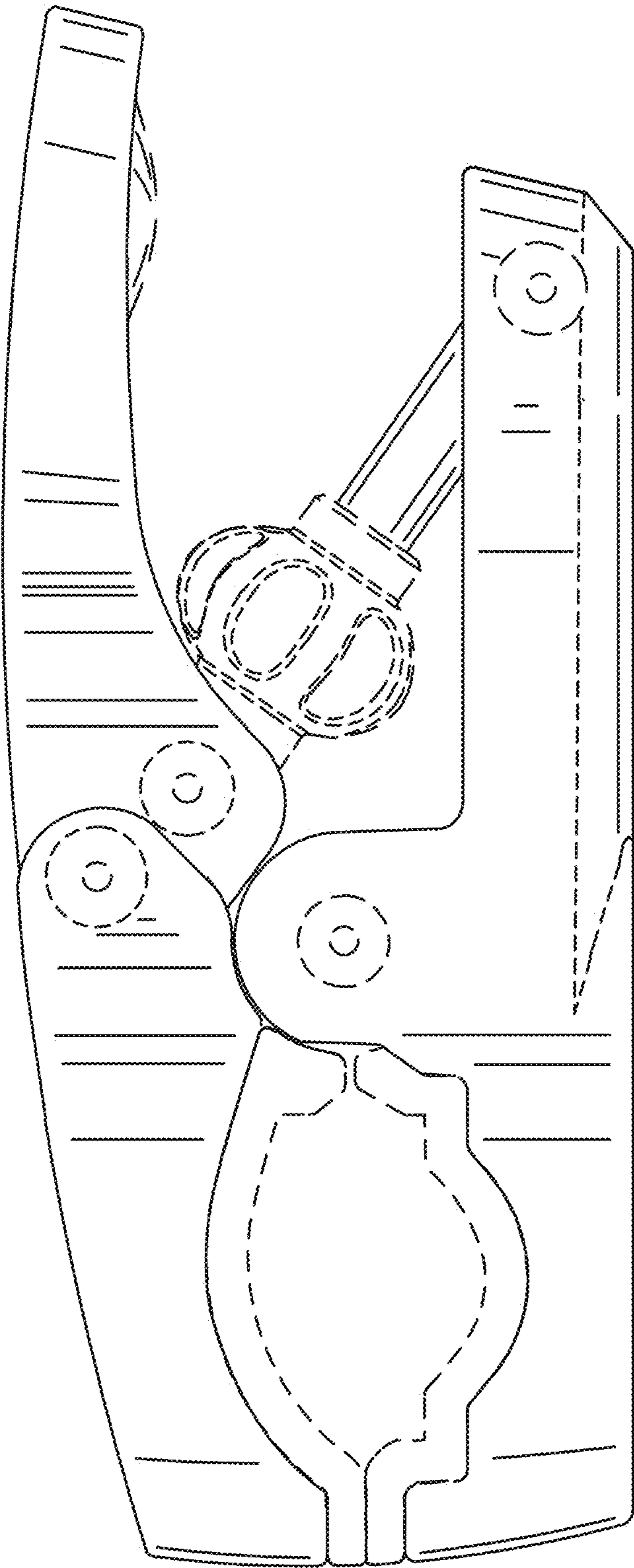


Fig. 1

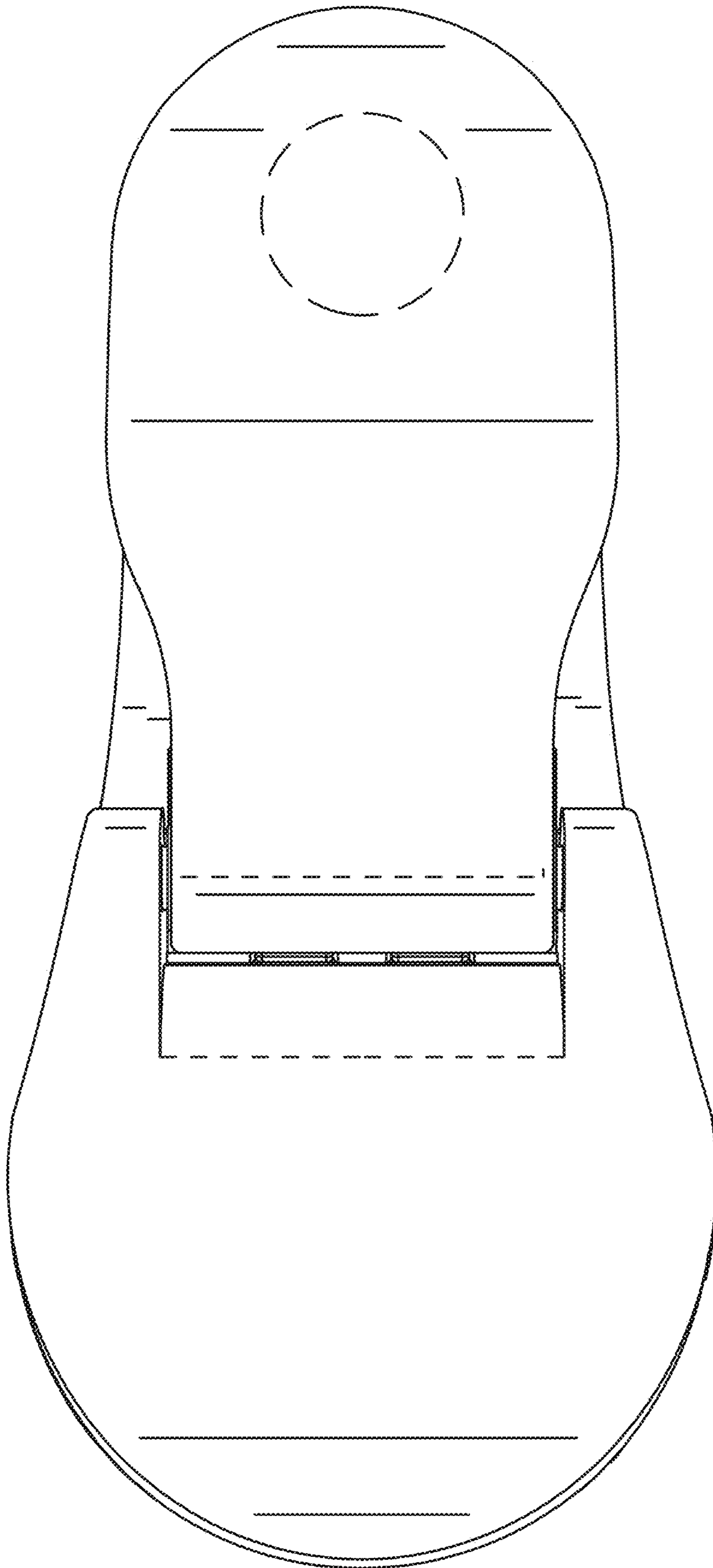


Fig. 2

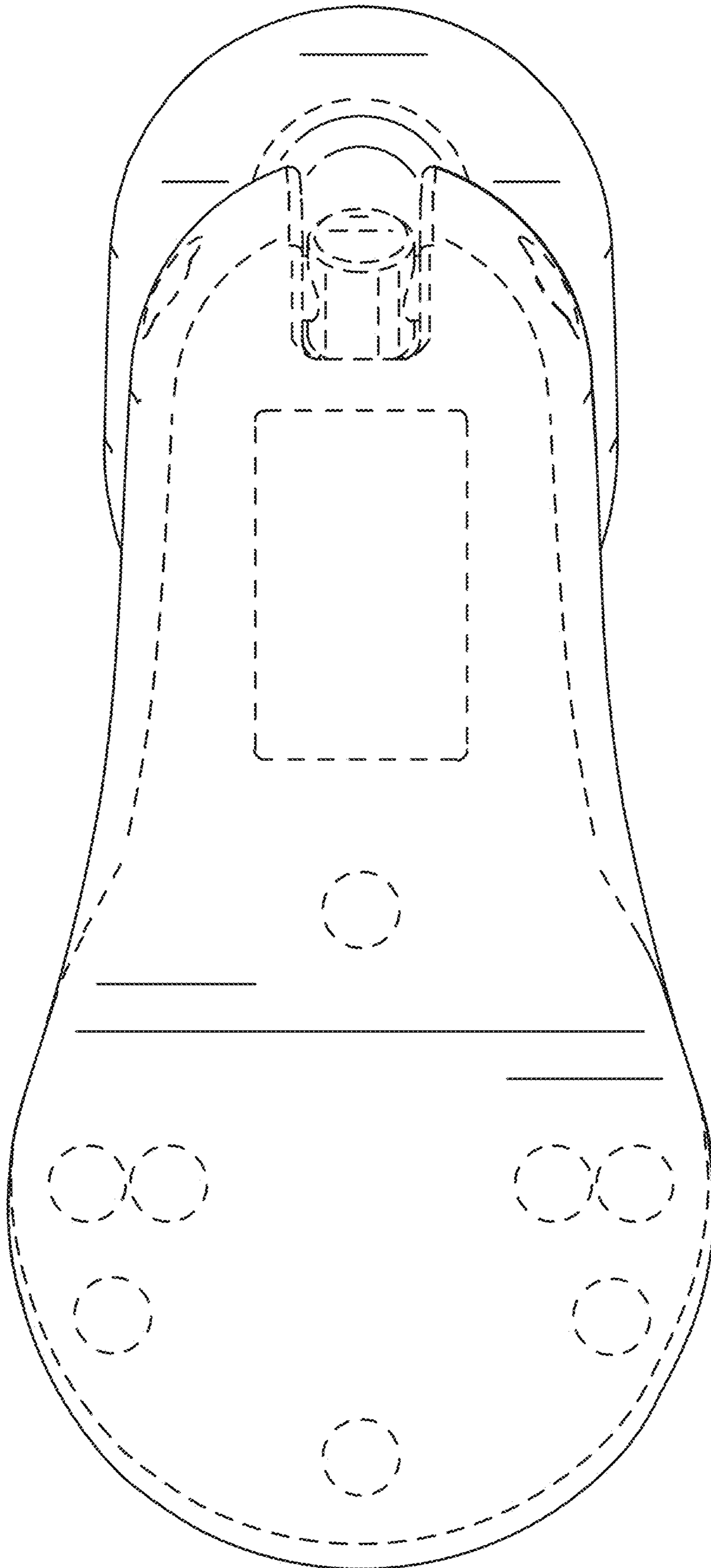


Fig. 3

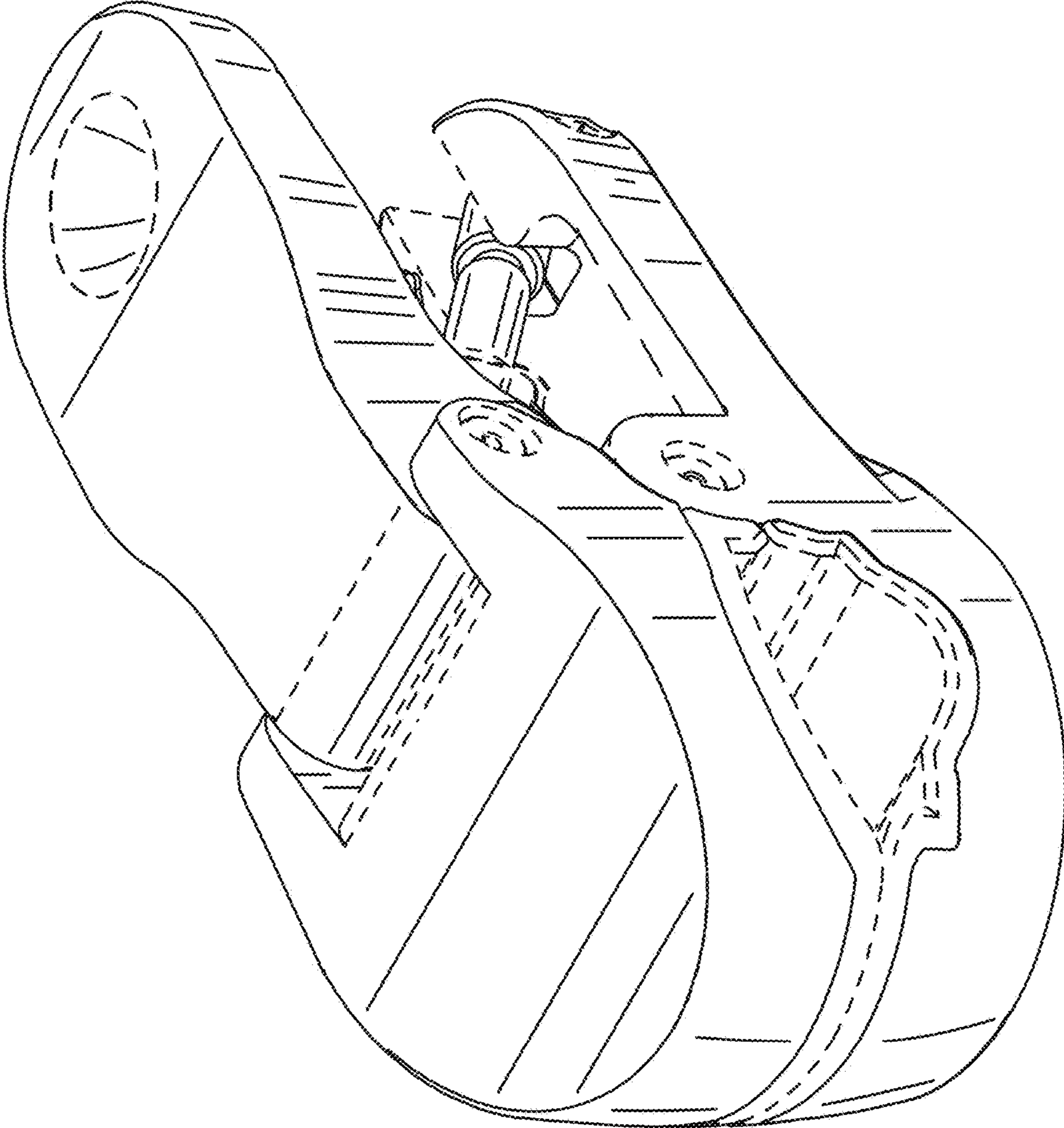


Fig. 4

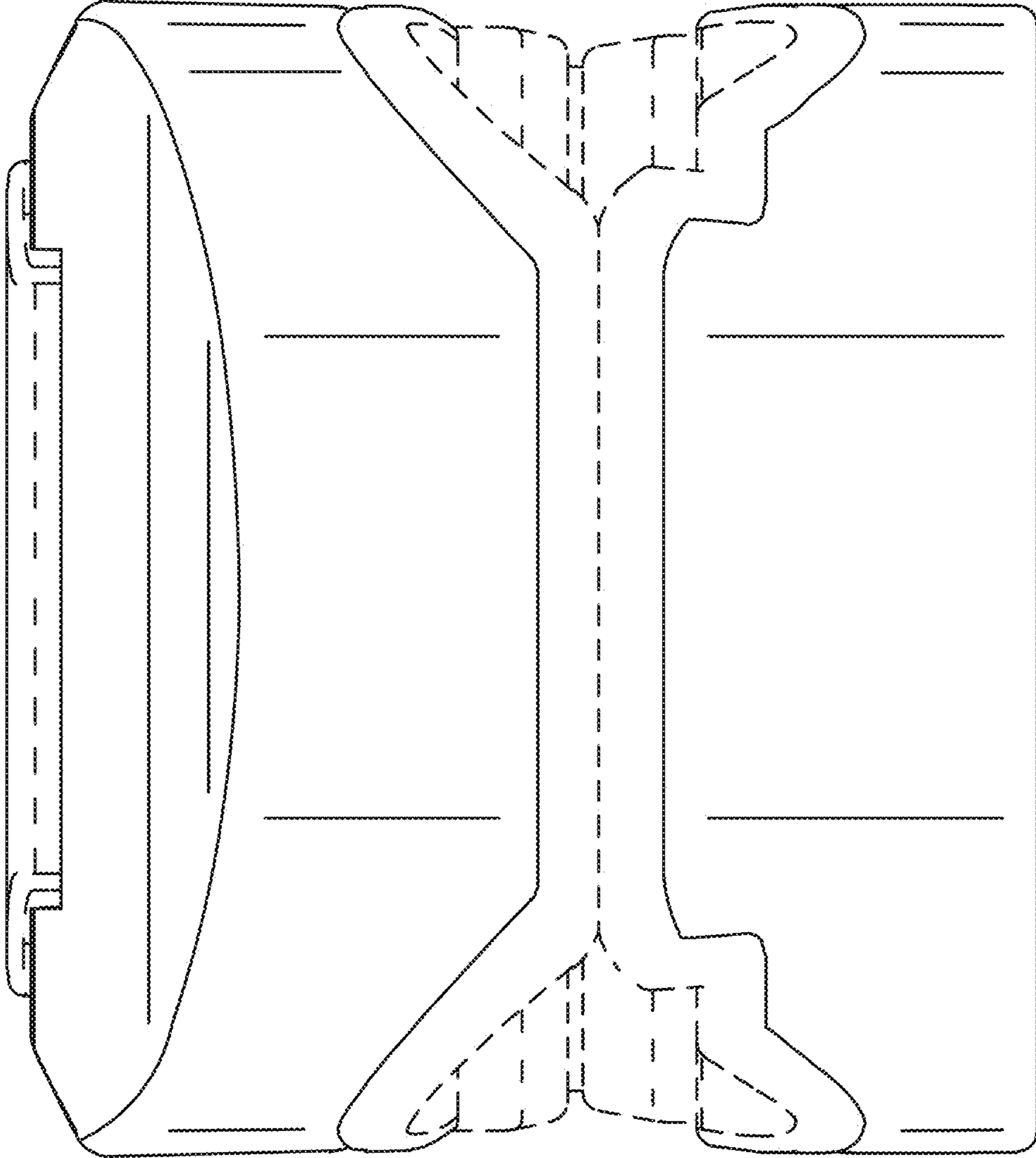


Fig. 5

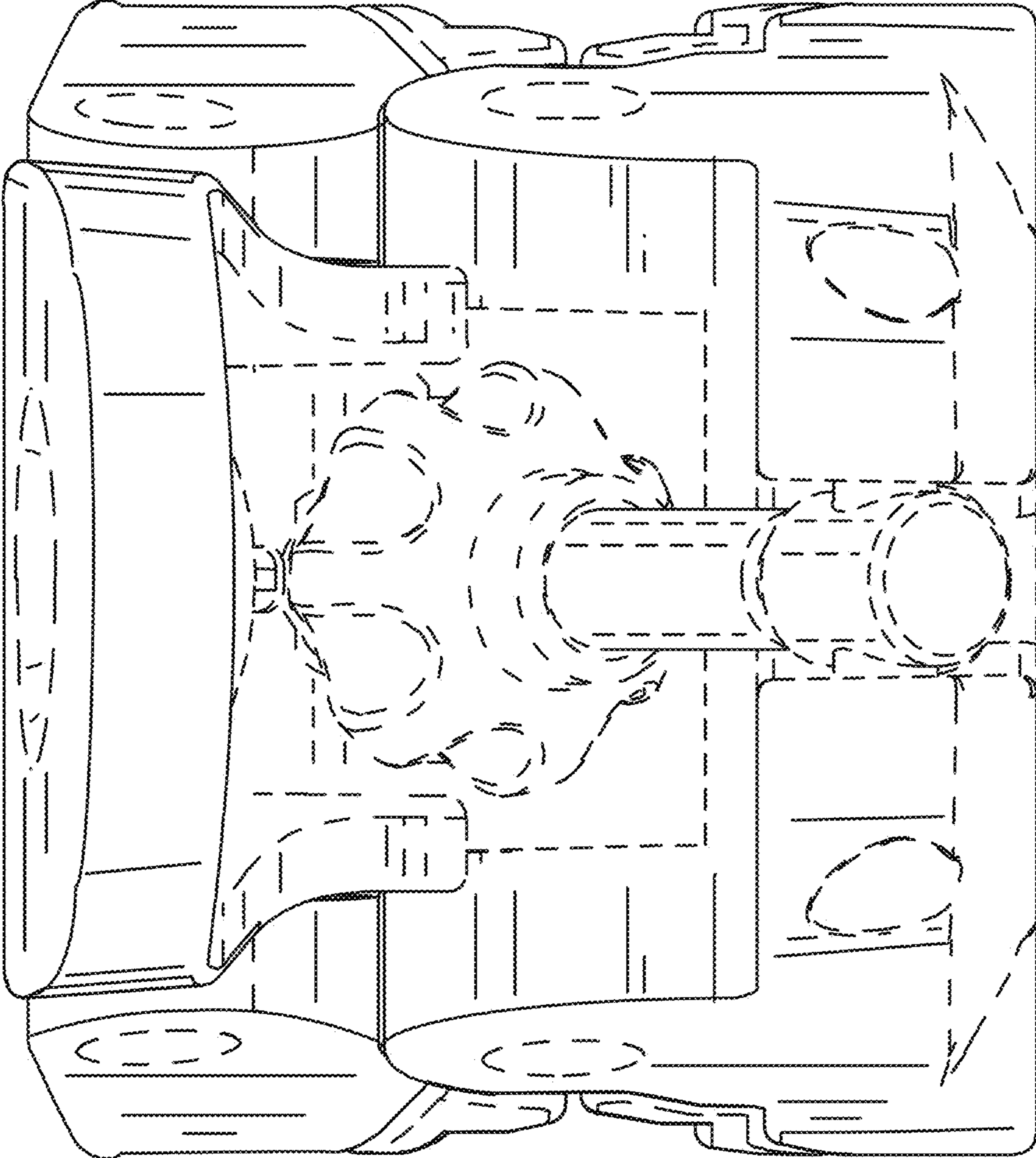


Fig. 6

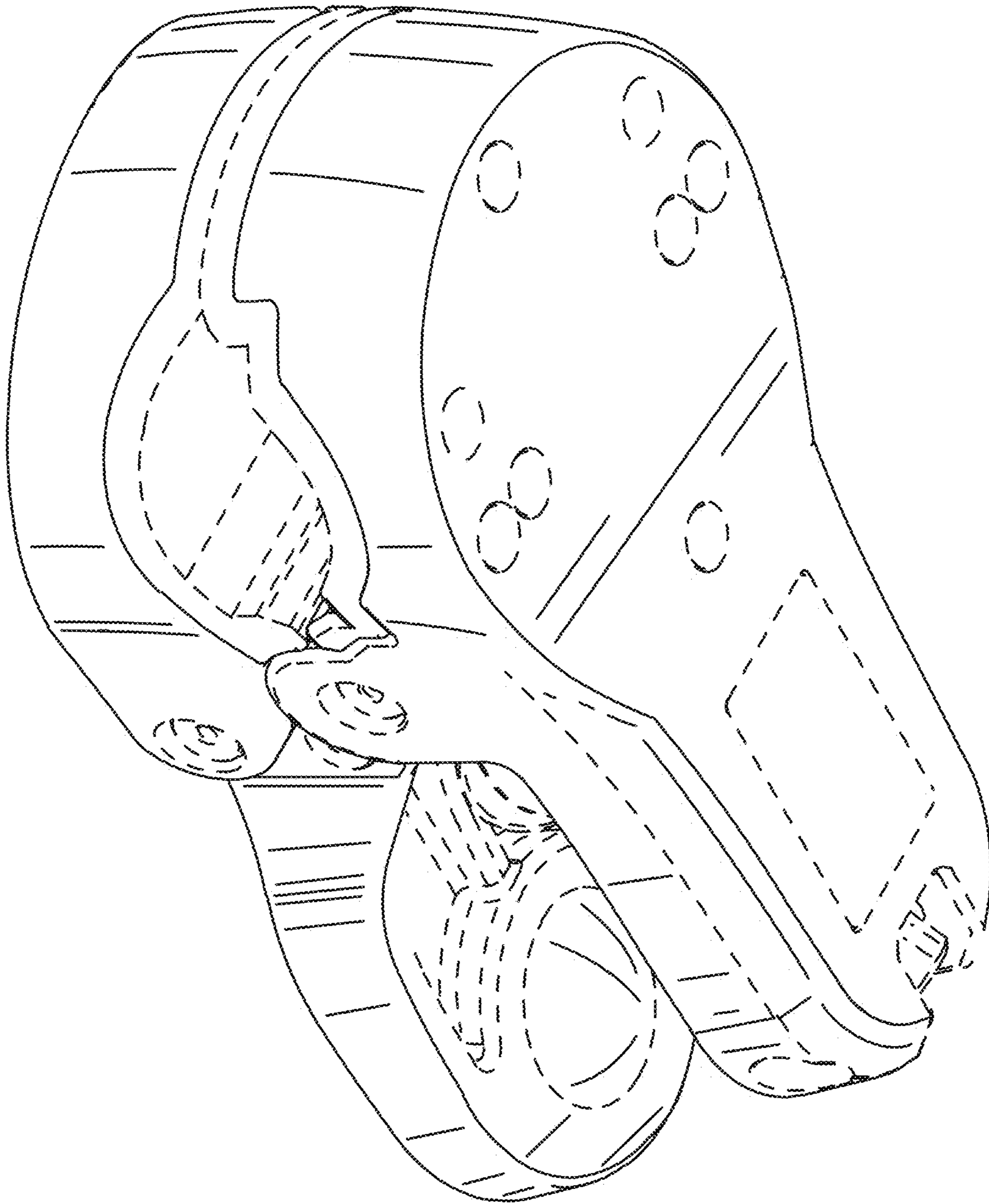


Fig. 7

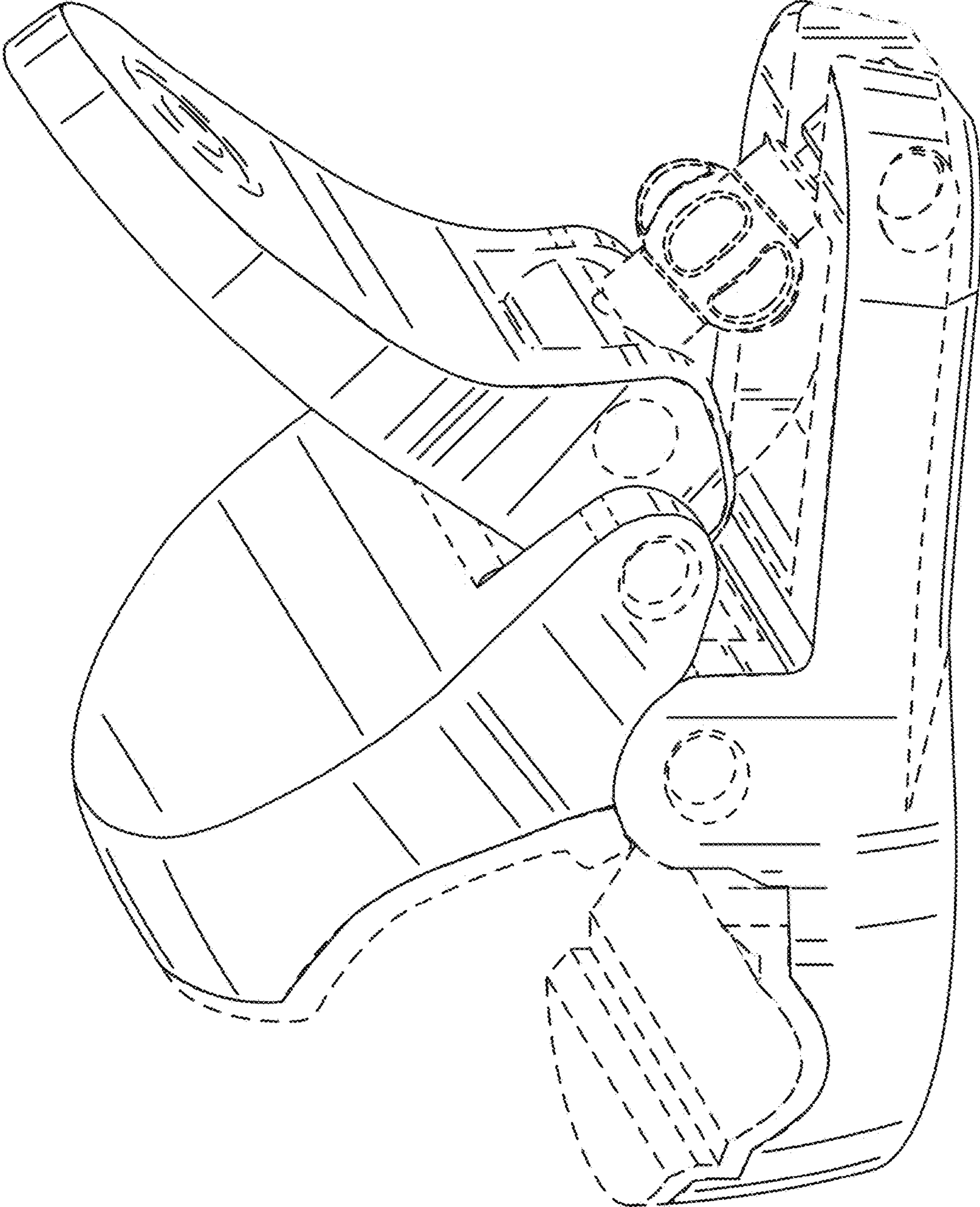


Fig. 8

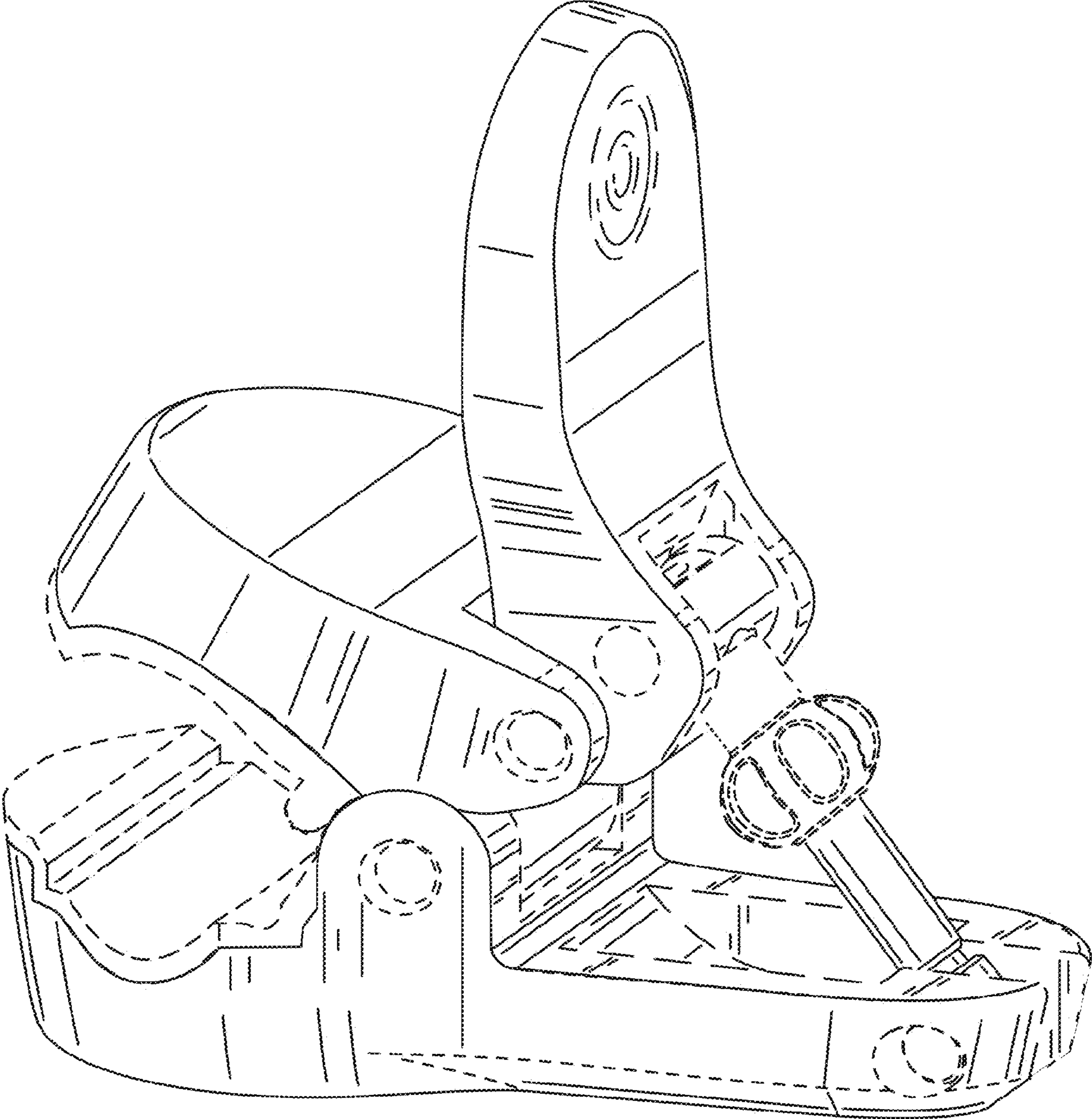


Fig. 9

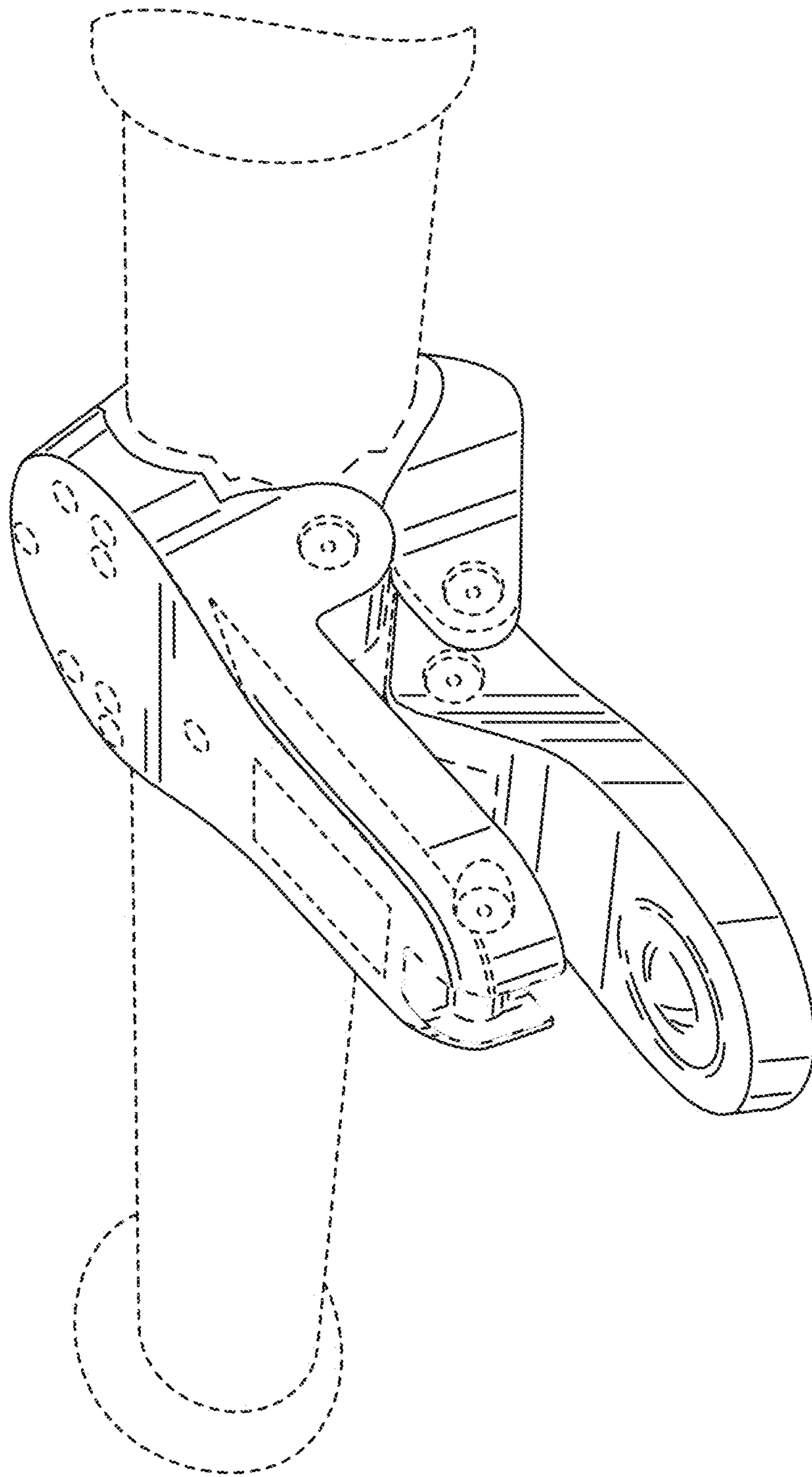


Fig. 10