



US00D897193S

(12) **United States Design Patent**  
**Sokoly**

(10) **Patent No.:** **US D897,193 S**

(45) **Date of Patent:** **\*\* Sep. 29, 2020**

(54) **GEAR HANGER**

(71) Applicant: **Wayne Sokoly**, Park Ridge, NJ (US)

(72) Inventor: **Wayne Sokoly**, Park Ridge, NJ (US)

(\*\*) Term: **15 Years**

(21) Appl. No.: **29/677,849**

(22) Filed: **Jan. 24, 2019**

(51) **LOC (12) Cl.** ..... **08-05**

(52) **U.S. Cl.**

USPC ..... **D8/367; D8/373**

(58) **Field of Classification Search**

USPC ..... D8/367, 354, 373; D6/522, 553

CPC ..... F16M 13/02; A44B 13/0029; A45F 5/021;

A45F 5/02; A45F 3/00; A45F 2003/001;

A01M 31/00; F16B 45/00

See application file for complete search history.

(56) **References Cited**

**U.S. PATENT DOCUMENTS**

2,687,836 A \* 8/1954 Rhodes ..... B60R 7/10  
224/556

D494,454 S \* 8/2004 Klein ..... D8/373

D614,995 S *	5/2010	Pontaoe	.....	D11/212
D647,389 S *	10/2011	Gracia	.....	D8/367
D682,663 S *	5/2013	Evon	.....	D8/367
8,667,765 B1 *	3/2014	McCarthy	.....	E04F 13/0841 248/301
D709,357 S *	7/2014	Bell	.....	D8/373
D715,627 S *	10/2014	Pan	.....	D8/371
D729,046 S *	5/2015	Paik	.....	D8/367
D784,044 S *	4/2017	Sokoly	.....	D6/552
10,197,217 B2 *	2/2019	Will	.....	F16M 13/02
D849,515 S *	5/2019	Sokoly	.....	D8/367
D865,499 S *	11/2019	Krake	.....	D8/367

\* cited by examiner

*Primary Examiner* — Lauren R Calve

(57) **CLAIM**

The ornamental design for a gear hanger, as shown and described.

**DESCRIPTION**

FIG. 1 is a perspective view of a gear hanger;

FIG. 2 is a top plan view thereof;

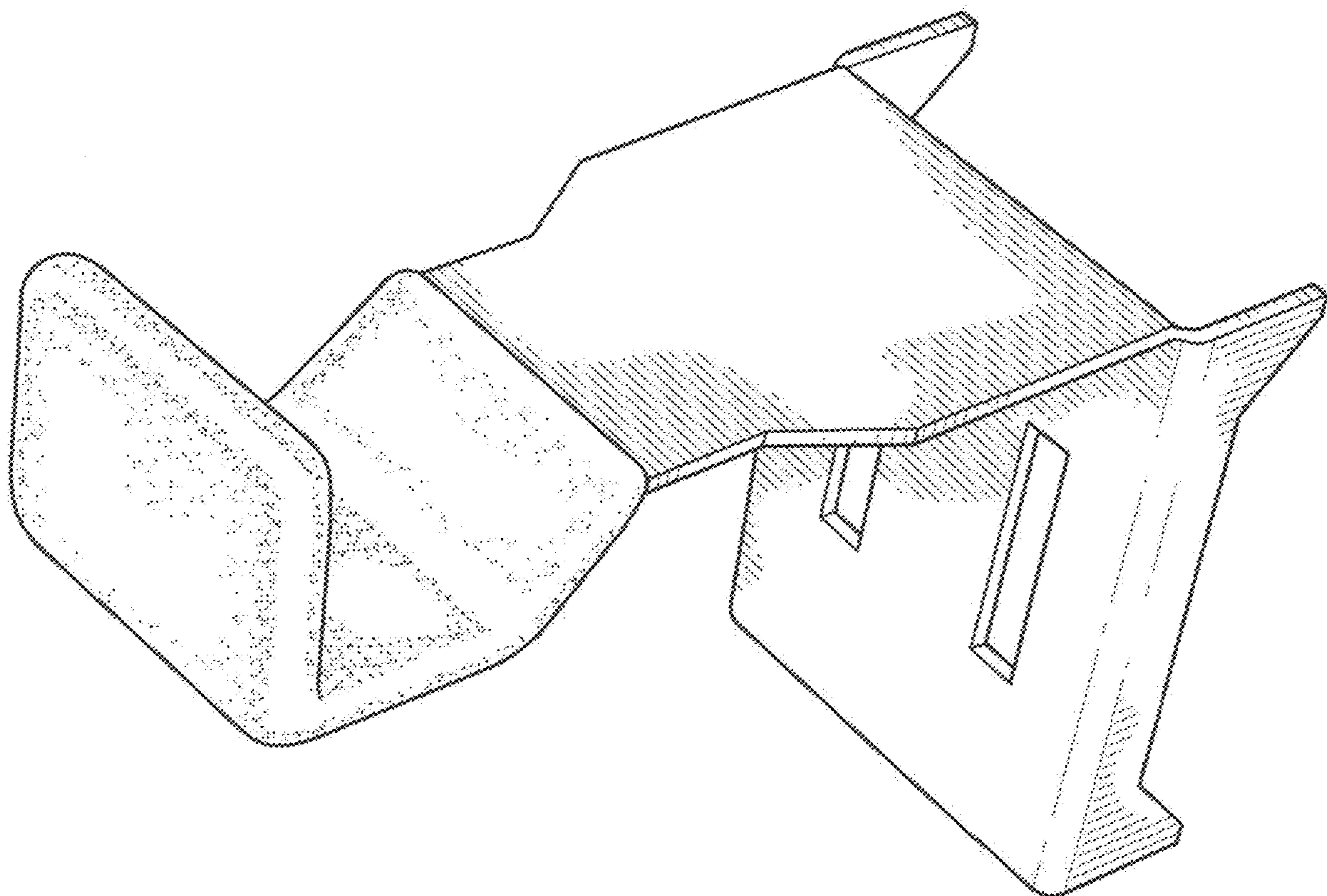
FIG. 3 is a bottom plan view thereof;

FIG. 4 is a left-side view thereof;

FIG. 5 is a front view thereof; and,

FIG. 6 is a rear view thereof.

**1 Claim, 4 Drawing Sheets**



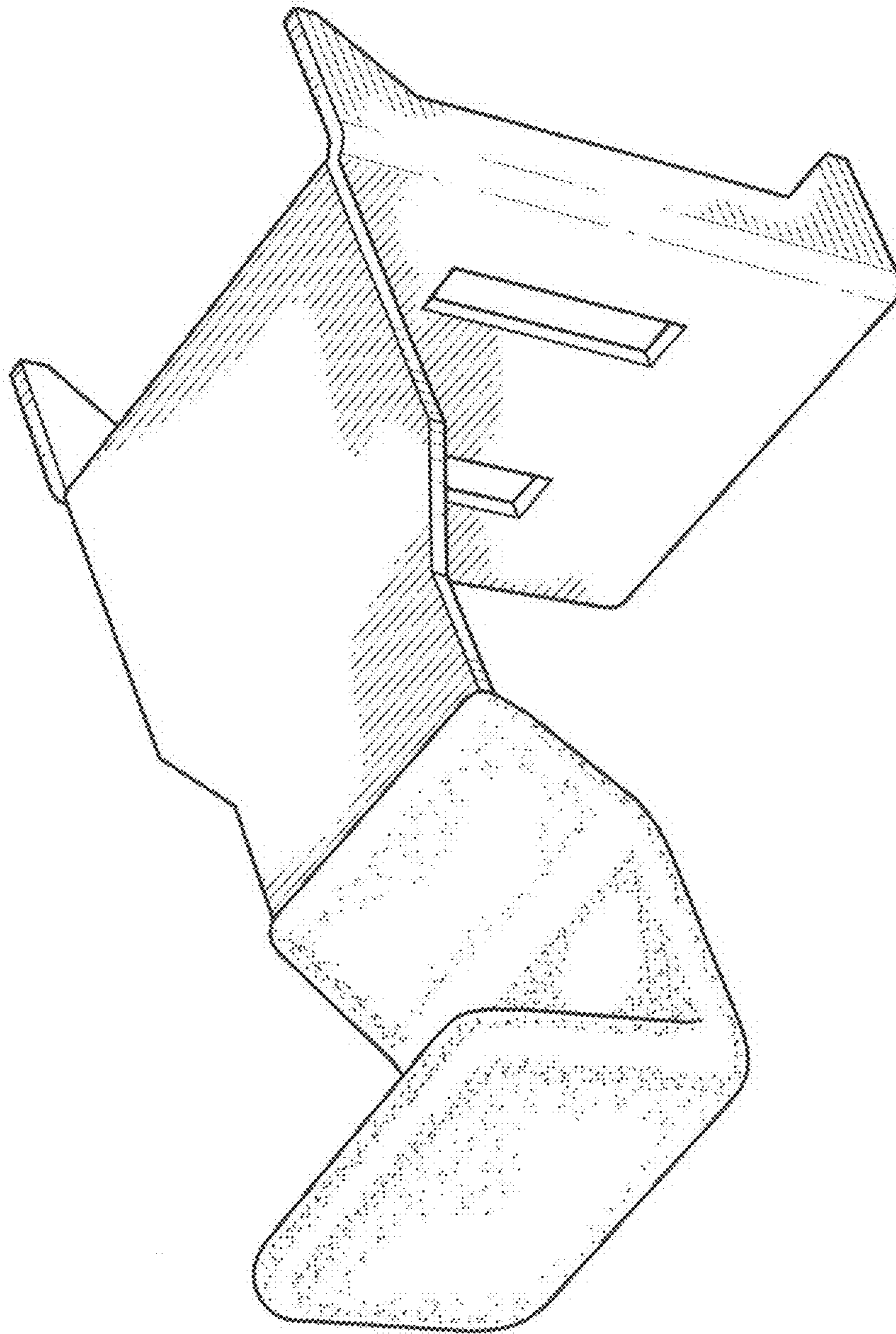


FIG. 1

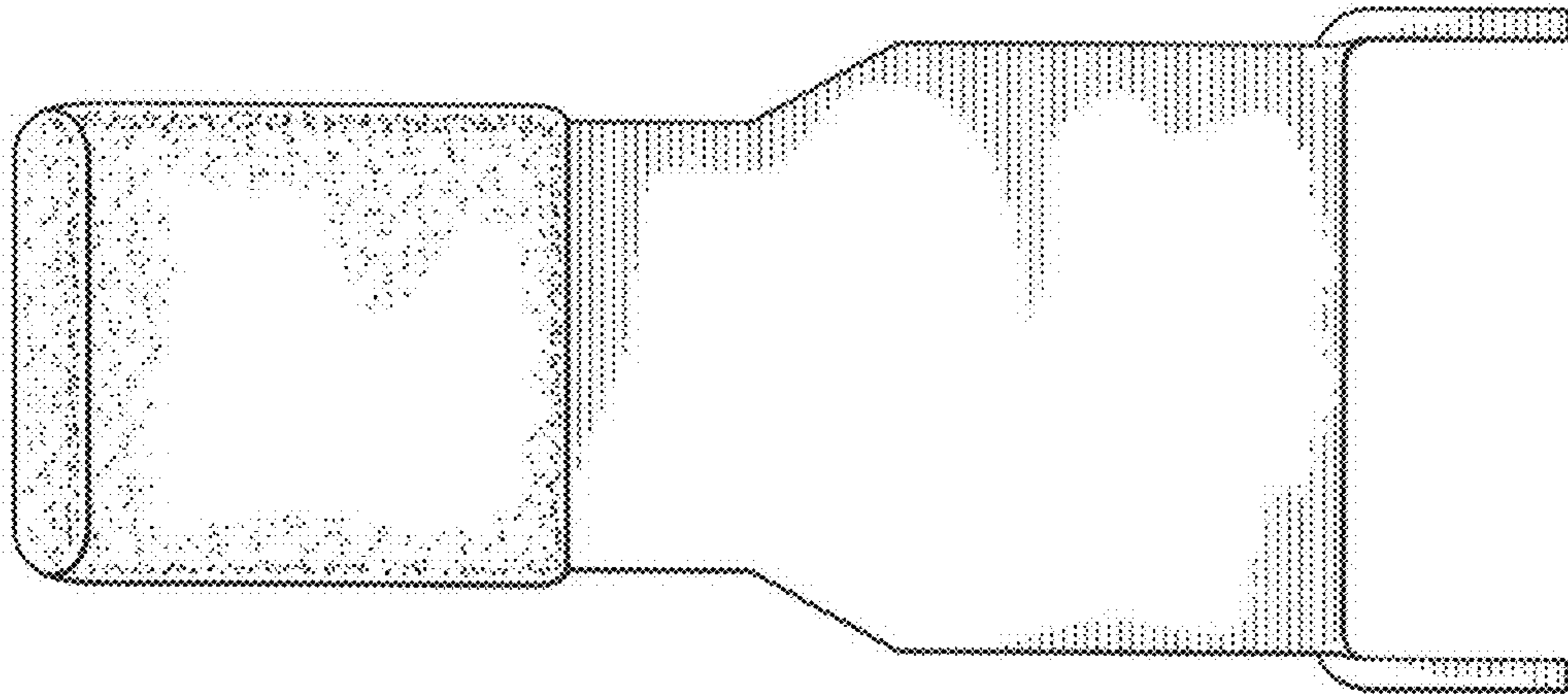


FIG. 2

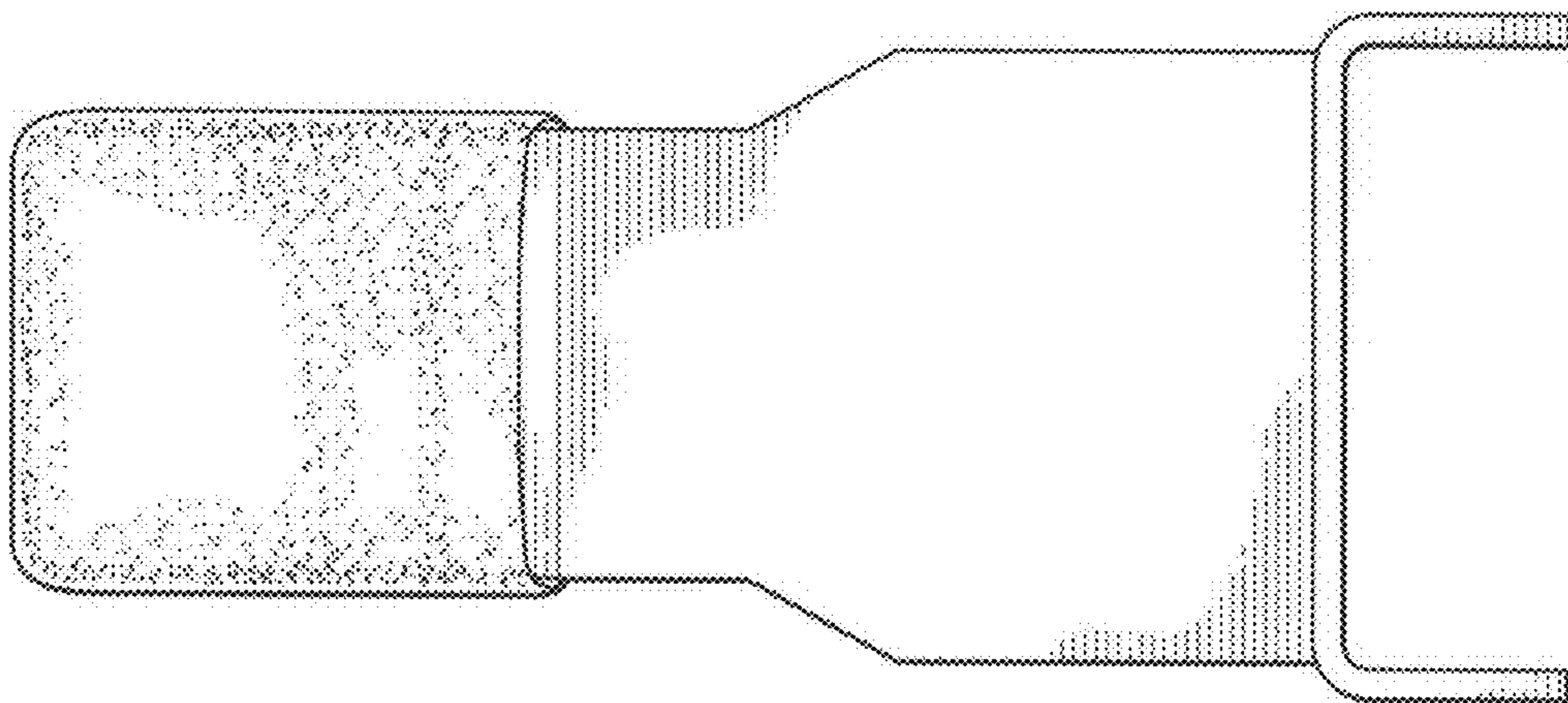


FIG. 3

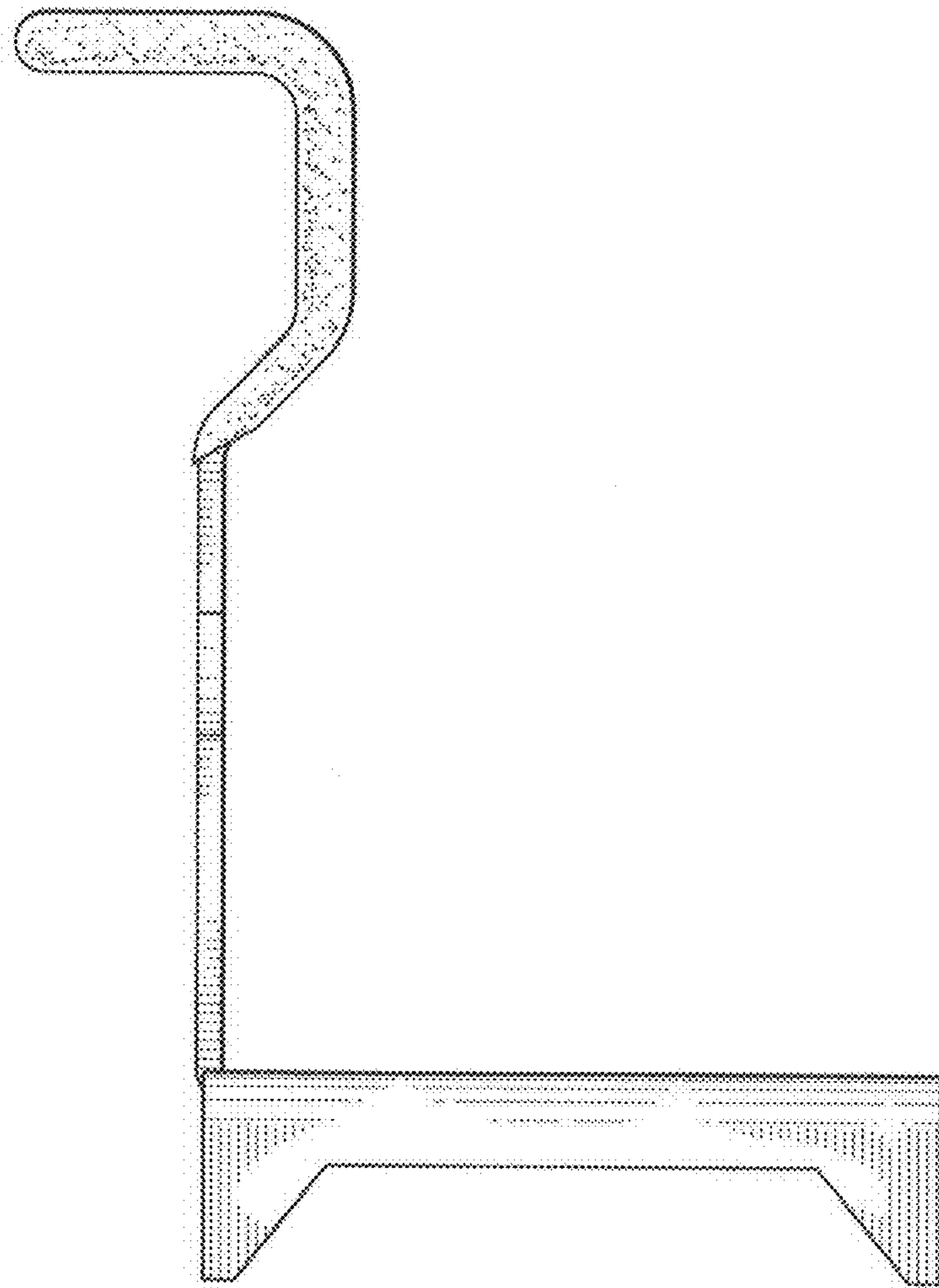


FIG. 4

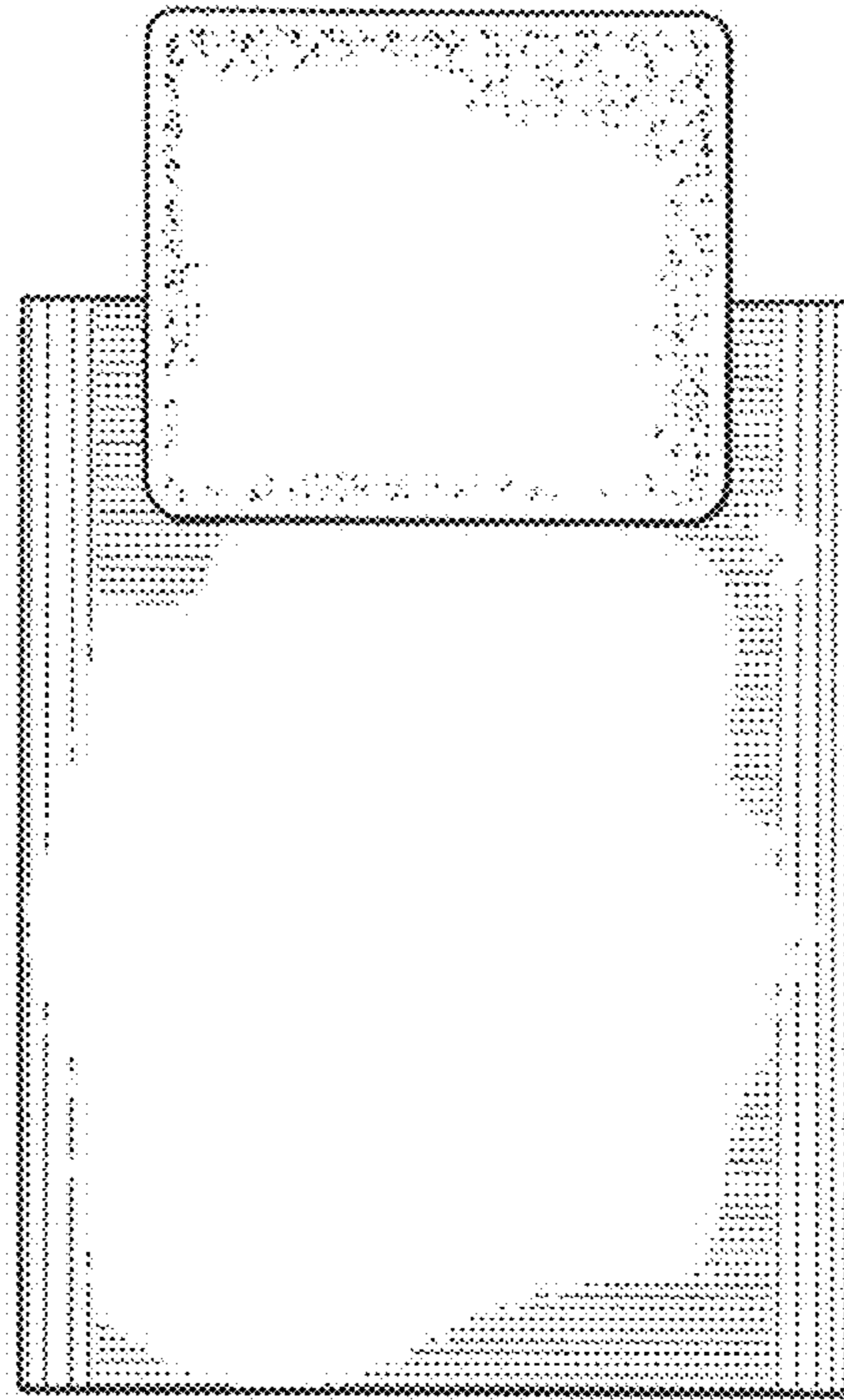


FIG. 5

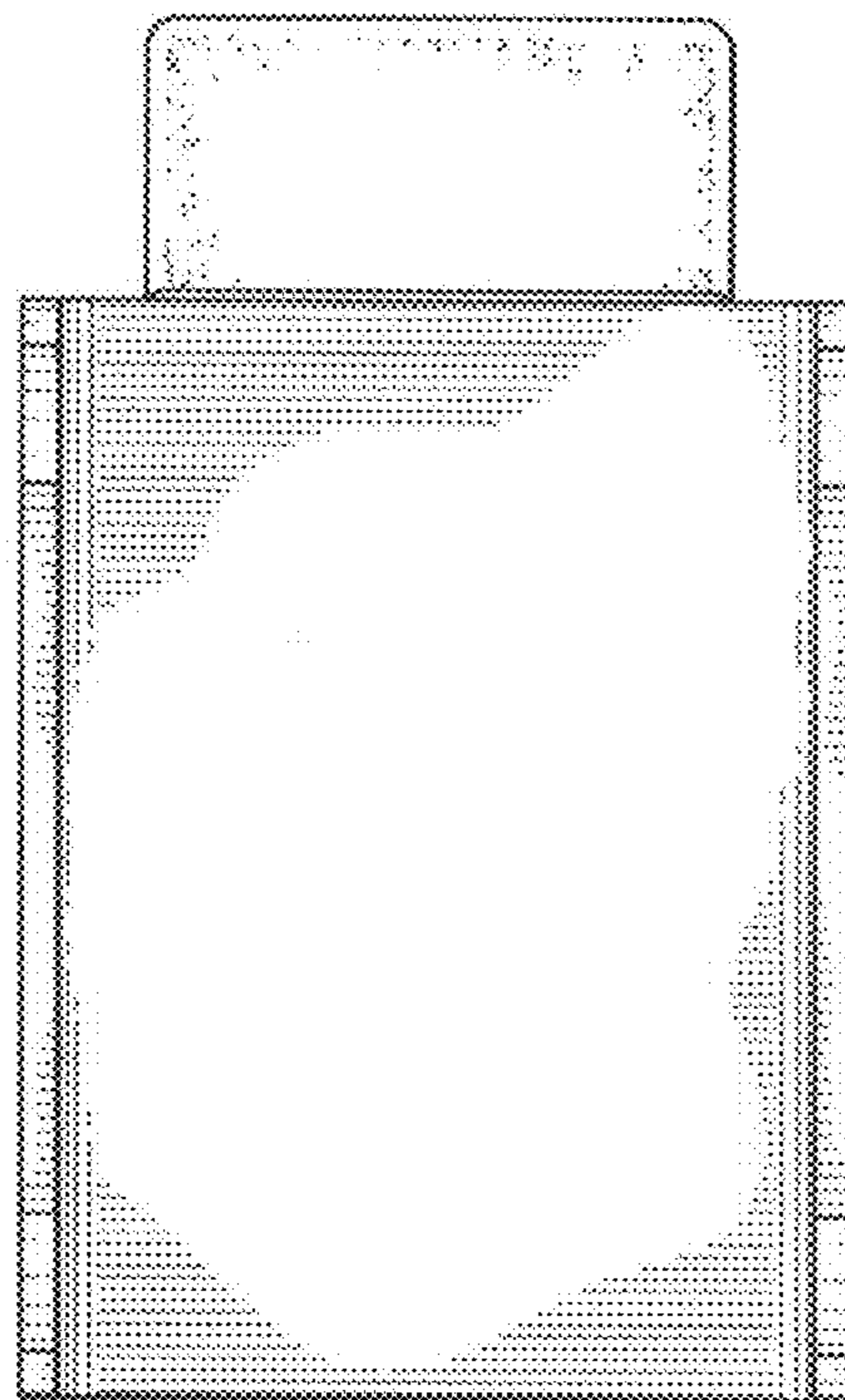


FIG. 6