



US00D897192S

(12) **United States Design Patent** (10) **Patent No.:** **US D897,192 S**
Grobe (45) **Date of Patent:** **** Sep. 29, 2020**

(54) **PULLEY** 2,873,948 A 2/1959 Colmer
 4,227,680 A 10/1980 Hrescak
 4,488,708 A 12/1984 Frye
 (71) Applicant: **Rotzler HOLDING GmbH + Co. KG,** D306,134 S * 2/1990 Harken 254/412
 Steinen (DE) 5,348,116 A * 9/1994 Pickering A62B 1/14
 182/192
 (72) Inventor: **Stefan Grobe,** Dettenhausen (DE) 5,368,281 A * 11/1994 Skyba 254/391
 5,435,044 A * 7/1995 Ida 24/136 R
 (73) Assignee: **Rotzler HOLDING GmbH + Co. KG,** D362,614 S * 9/1995 Kingery D8/360
 Steinen (DE) D388,929 S 1/1998 Kuryu
 6,092,791 A * 7/2000 Kingery 254/371
 D431,448 S * 10/2000 Mihailovic D8/360
 (**) Term: **15 Years** D431,449 S * 10/2000 Mihailovic D8/360
 D438,358 S 2/2001 Huang
 (21) Appl. No.: **29/673,643** 6,820,862 B2 * 11/2004 Terzagi F16G 11/12
 254/213
 (22) Filed: **Dec. 17, 2018** D513,650 S 1/2006 Elliott
 D532,577 S 11/2006 Elliott
 7,152,847 B2 * 12/2006 Smith B66D 3/04
 254/409
 (30) **Foreign Application Priority Data** 7,168,687 B2 * 1/2007 Thompson A63B 29/02
 254/415

Jun. 15, 2018 (EM) 005312675
 (51) **LOC (12) Cl.** **08-05**
 (52) **U.S. Cl.**
 USPC **D8/360**
 (58) **Field of Classification Search**
 USPC D8/356, 354, 349, 360; D11/218;
 254/390; 24/129 R
 See application file for complete search history.

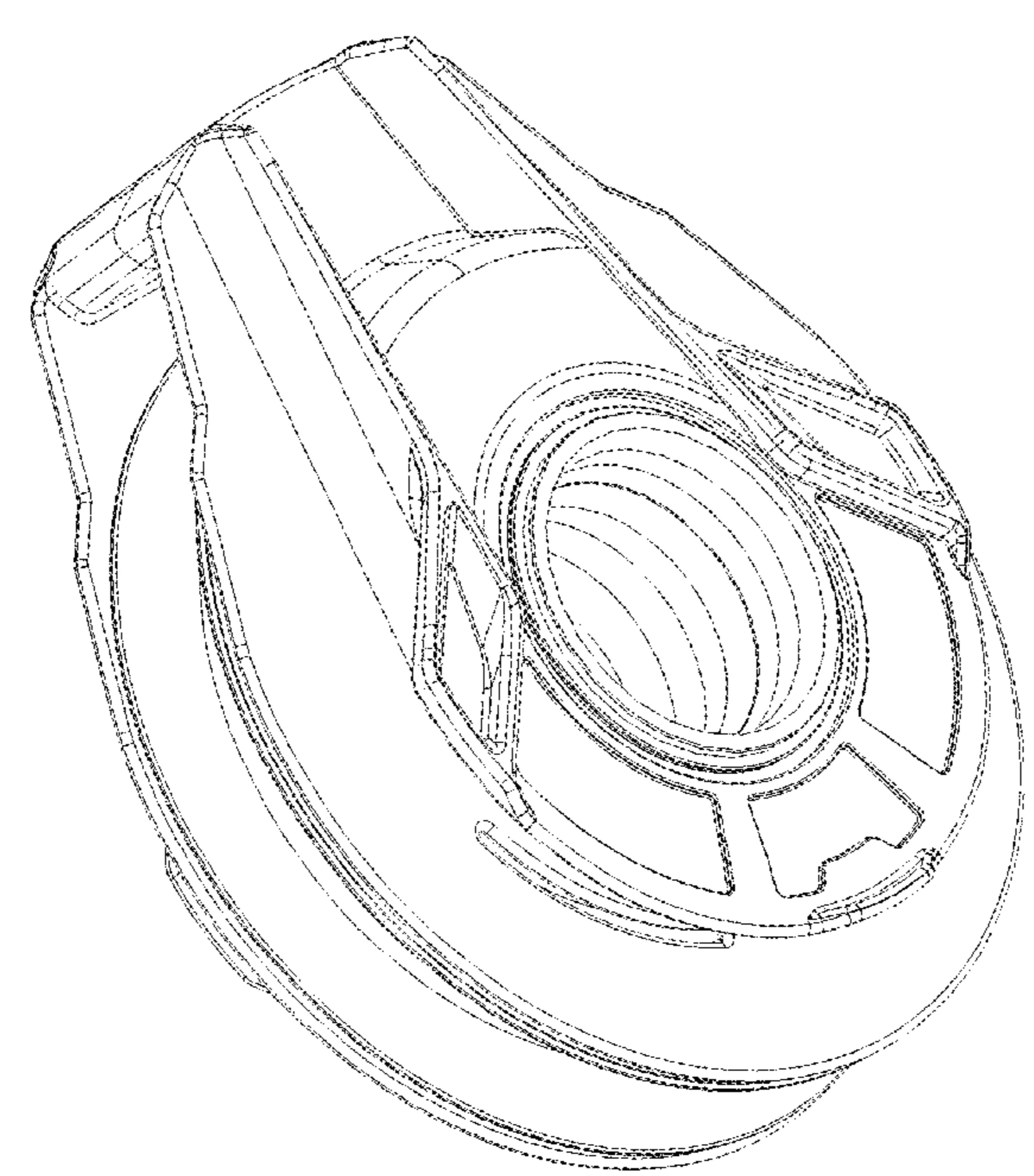
(56) **References Cited**
 U.S. PATENT DOCUMENTS
 493,432 A * 3/1893 Kidd B60P 7/083
 242/388.3
 598,641 A * 2/1898 Nelson E04H 17/08
 256/40
 1,752,029 A * 3/1930 Robertson F16G 11/12
 256/42
 2,389,177 A 11/1945 Ball
 2,391,580 A 12/1945 Mackman
 2,706,614 A * 4/1955 Gilbert B66D 3/02
 254/369

(Continued)
 Primary Examiner — Cynthia R Underwood
 (74) Attorney, Agent, or Firm — Fleit Intellectual
 Property Law; Paul D. Bianco; Gary S. Winer

(57) **CLAIM**
 The ornamental design for a pulley, as shown and described.

DESCRIPTION
 FIG. 1 is a front view of a pulley according to the present invention.
 FIG. 2 is a bottom view of the pulley of FIG. 1.
 FIG. 3 is a first side view of the pulley of FIG. 1.
 FIG. 4 is a top view of the pulley of FIG. 1.
 FIG. 5 is a back view of the pulley of FIG. 1.
 FIG. 6 is a second side view of the pulley of FIG. 1; and,
 FIG. 7 is a perspective view of the pulley of FIG. 1.

1 Claim, 7 Drawing Sheets



(56)

References Cited

U.S. PATENT DOCUMENTS

D550,923 S 9/2007 Huang
 D555,874 S 11/2007 Elliott
 D565,936 S * 4/2008 Spadotto D8/358
 D572,099 S * 7/2008 Fontaine et al. D8/44
 D591,923 S 5/2009 Freitas
 7,562,862 B1 * 7/2009 Jackson B66D 3/14
 254/333
 7,648,125 B1 1/2010 Huang
 7,673,851 B2 * 3/2010 Lange B66D 3/04
 254/401
 7,735,809 B2 * 6/2010 Maire B66D 3/06
 24/129 R
 D626,812 S * 11/2010 Macsray et al. D8/60
 D640,442 S 6/2011 Borntrager
 8,002,244 B2 * 8/2011 Curchod B66D 3/04
 254/390
 D650,260 S * 12/2011 Petzl D8/356
 D658,487 S * 5/2012 Chih D8/360
 D666,475 S * 9/2012 Gaiti D8/358
 D687,700 S * 8/2013 Petzl D8/360
 8,727,320 B1 * 5/2014 Franta B66D 3/04
 254/389
 D708,507 S * 7/2014 Fretz D8/360
 8,888,072 B1 * 11/2014 Orgeron B66D 3/046
 254/393
 9,010,495 B2 * 4/2015 Prasad B66B 15/04
 187/254

D741,039 S 10/2015 Huang
 9,187,298 B2 * 11/2015 DeSoo B66D 3/04
 D744,320 S * 12/2015 Parrish A01G 9/126
 D8/356
 D748,446 S 2/2016 Fretz
 D763,064 S * 8/2016 Paglioli D8/356
 D798,522 S 9/2017 Scheer
 D799,145 S 10/2017 Scheer
 9,820,446 B2 * 11/2017 Parrish A01G 22/00
 9,908,749 B2 * 3/2018 Lob B66D 3/04
 10,071,890 B2 * 9/2018 Vik B66D 3/04
 10,081,521 B2 * 9/2018 Nipper B66D 3/10
 D836,422 S * 12/2018 Gobbi D8/356
 10,322,918 B2 * 6/2019 Tamme B63H 9/10
 D860,766 S * 9/2019 Brown D8/360
 2003/0111654 A1 6/2003 Huang
 2006/0096067 A1 * 5/2006 Fontaine et al. 24/130
 2008/0116431 A1 5/2008 Elliott et al.
 2009/0114893 A1 * 5/2009 Lange 254/390
 2010/0051887 A1 * 3/2010 Wooster B21F 9/00
 254/217
 2011/0284678 A1 11/2011 Wang
 2012/0018690 A1 * 1/2012 Maire A63B 29/02
 254/413
 2012/0241700 A1 * 9/2012 Mauthner A62B 1/14
 254/391
 2014/0027232 A1 1/2014 Lin
 2014/0174879 A1 6/2014 Huang

* cited by examiner

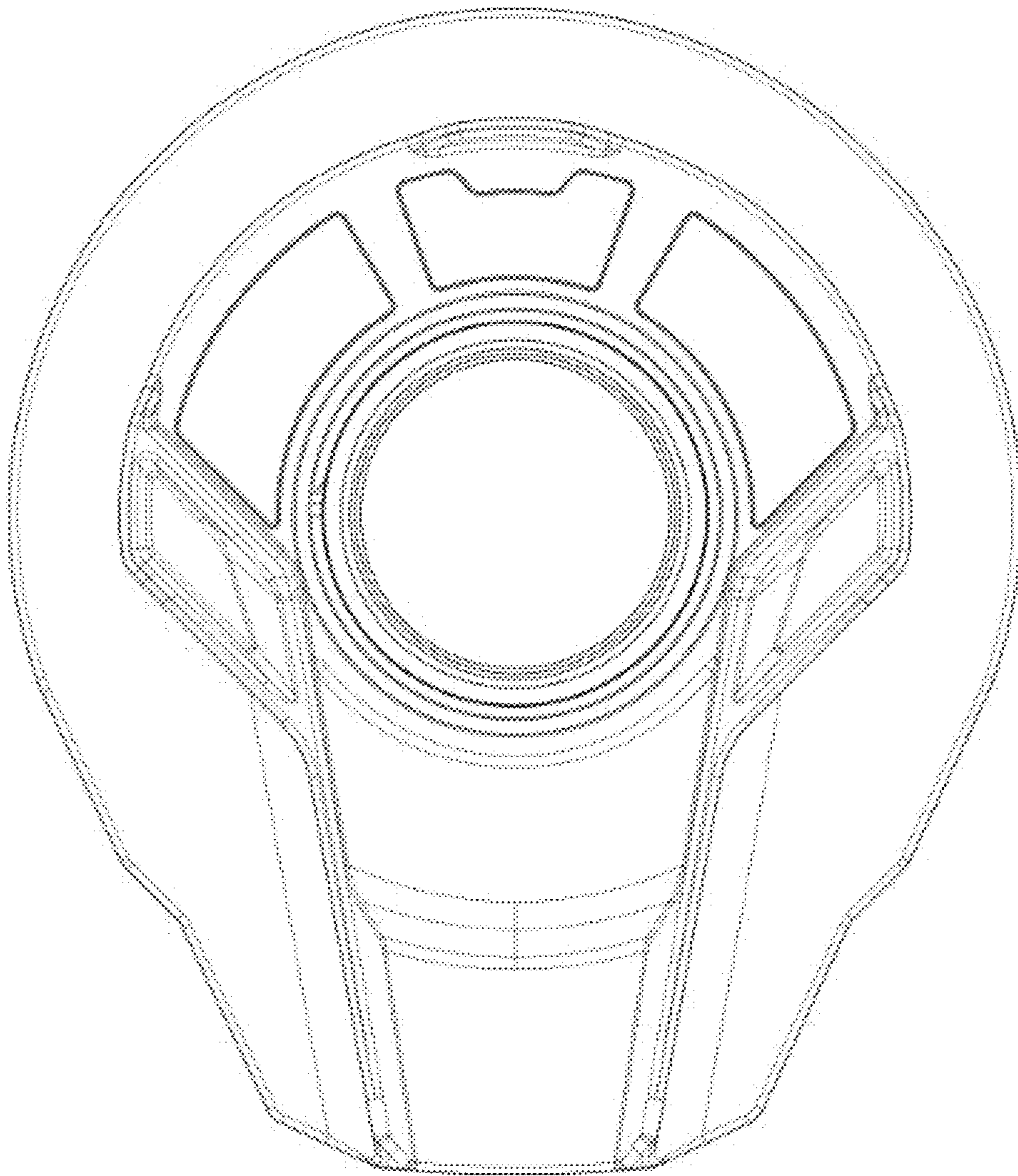


FIG. 1

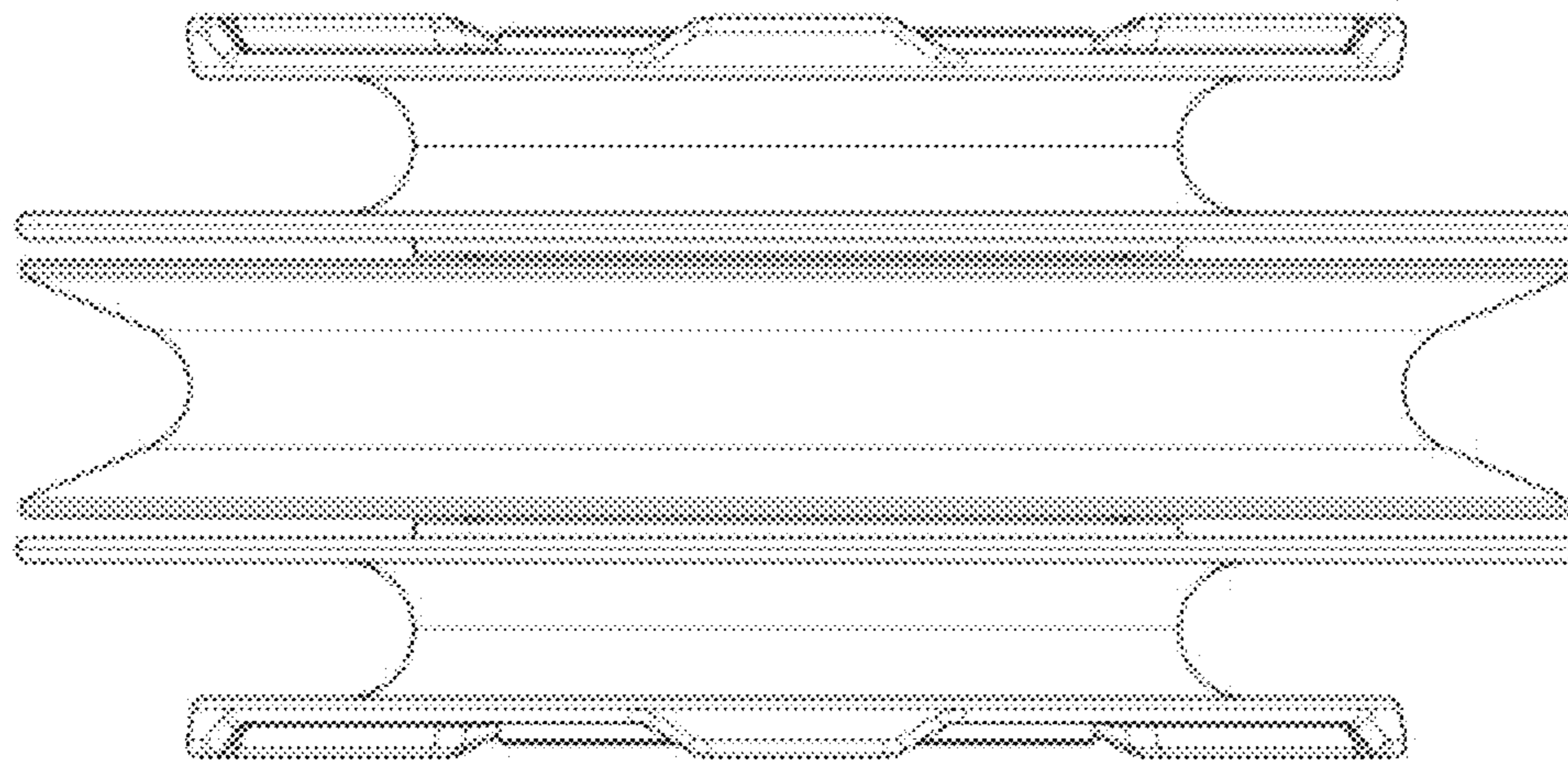


FIG. 2

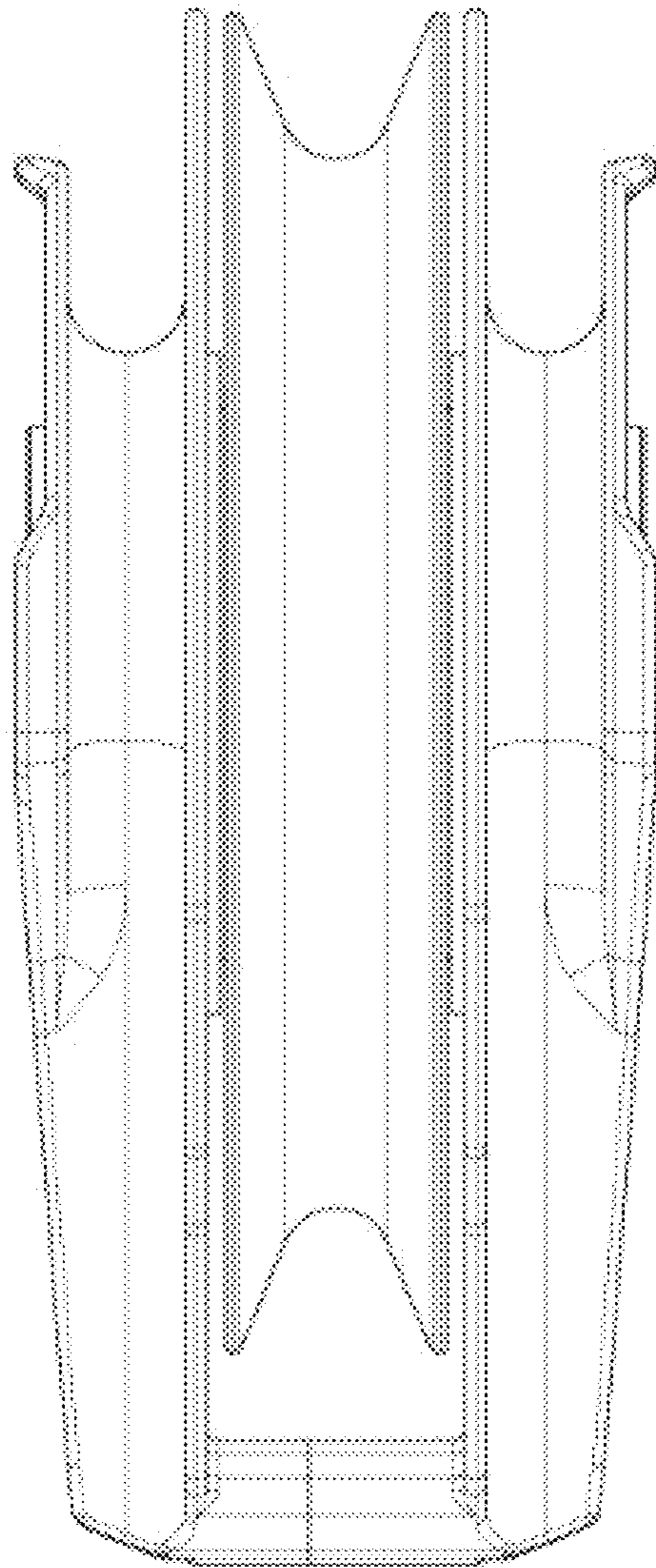


FIG. 3

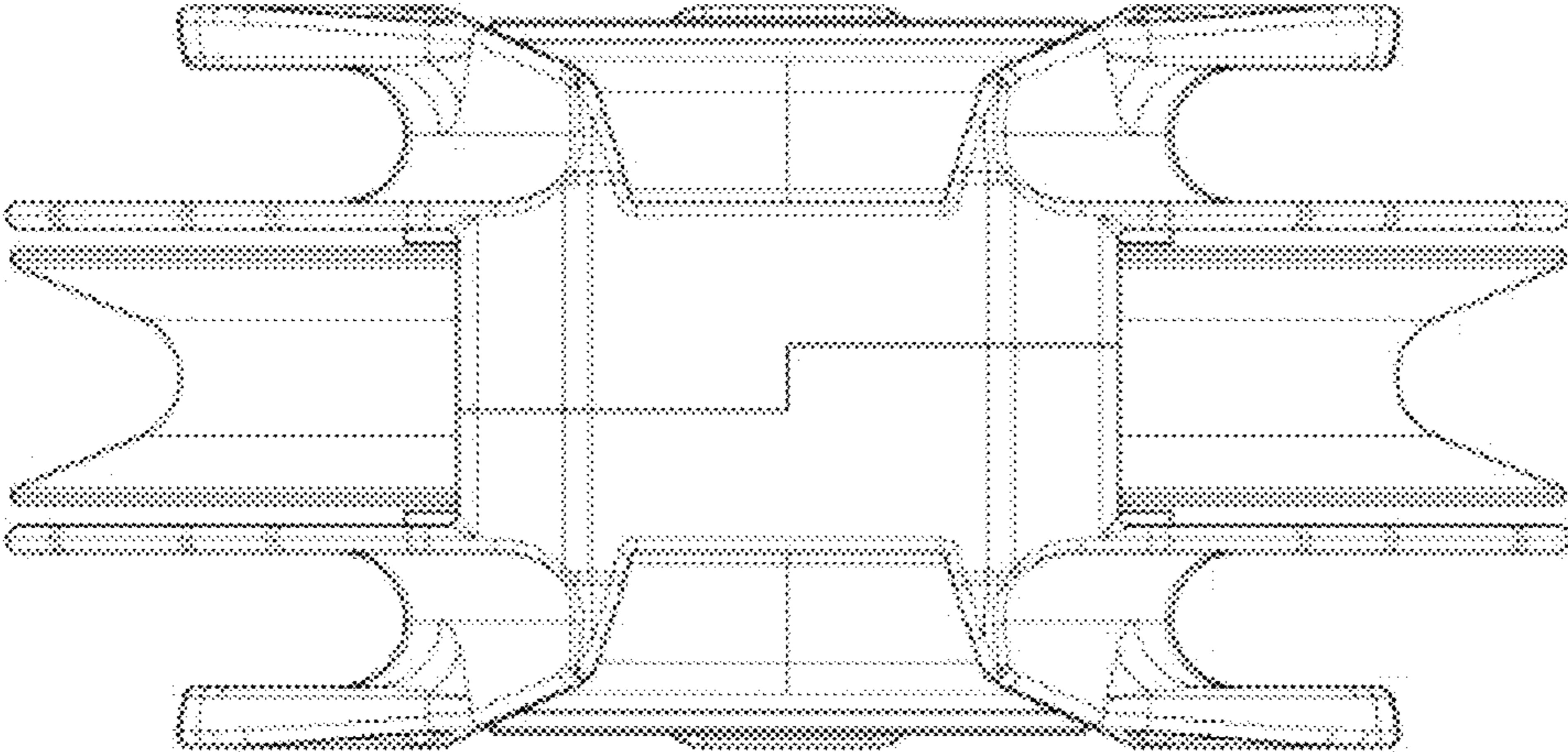


FIG. 4

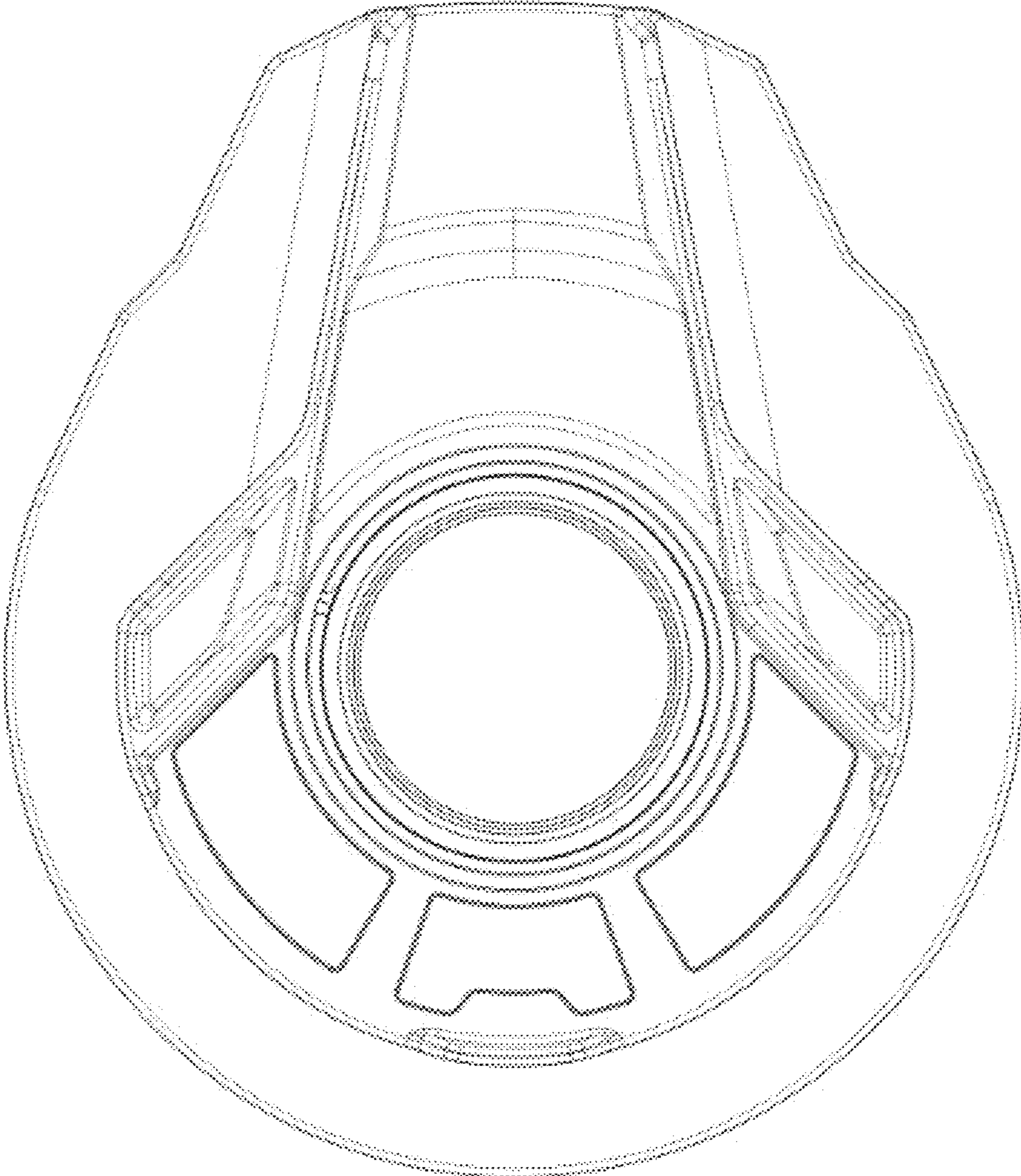


FIG. 5

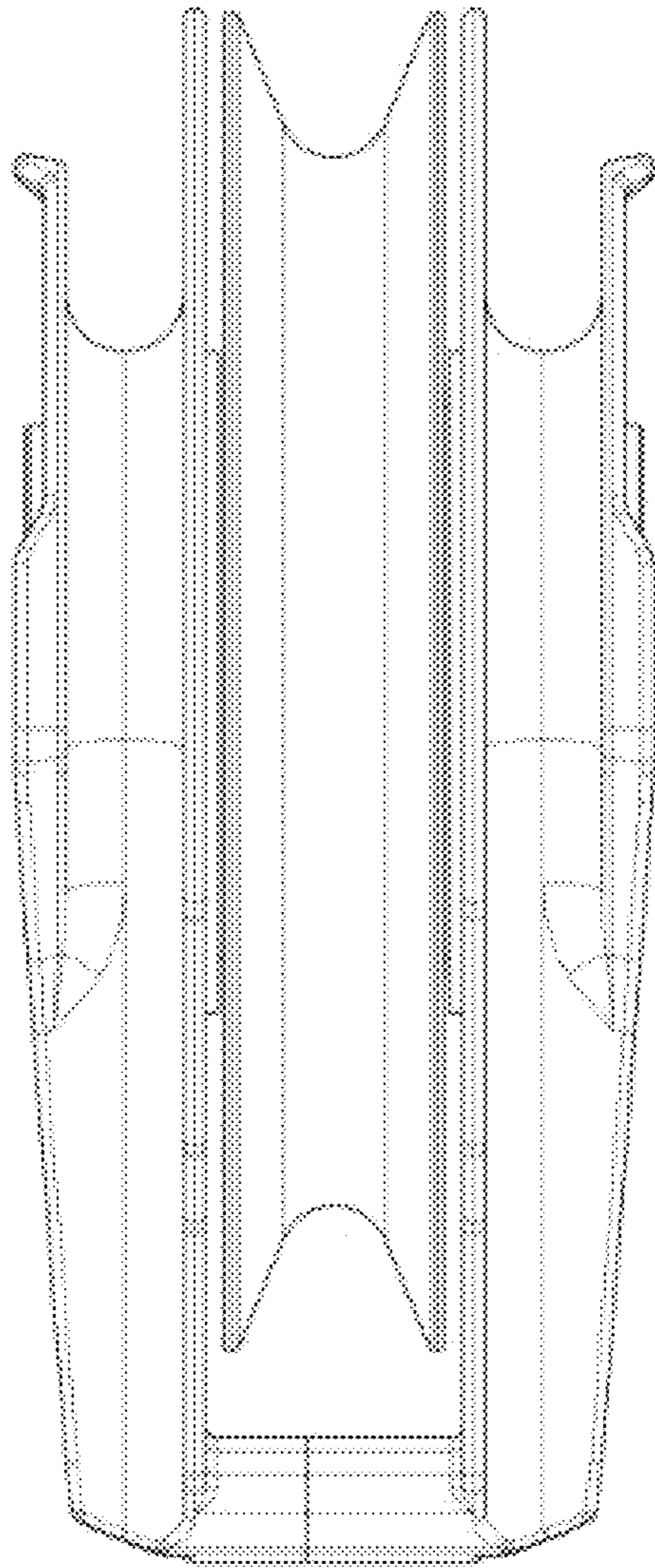


FIG. 6

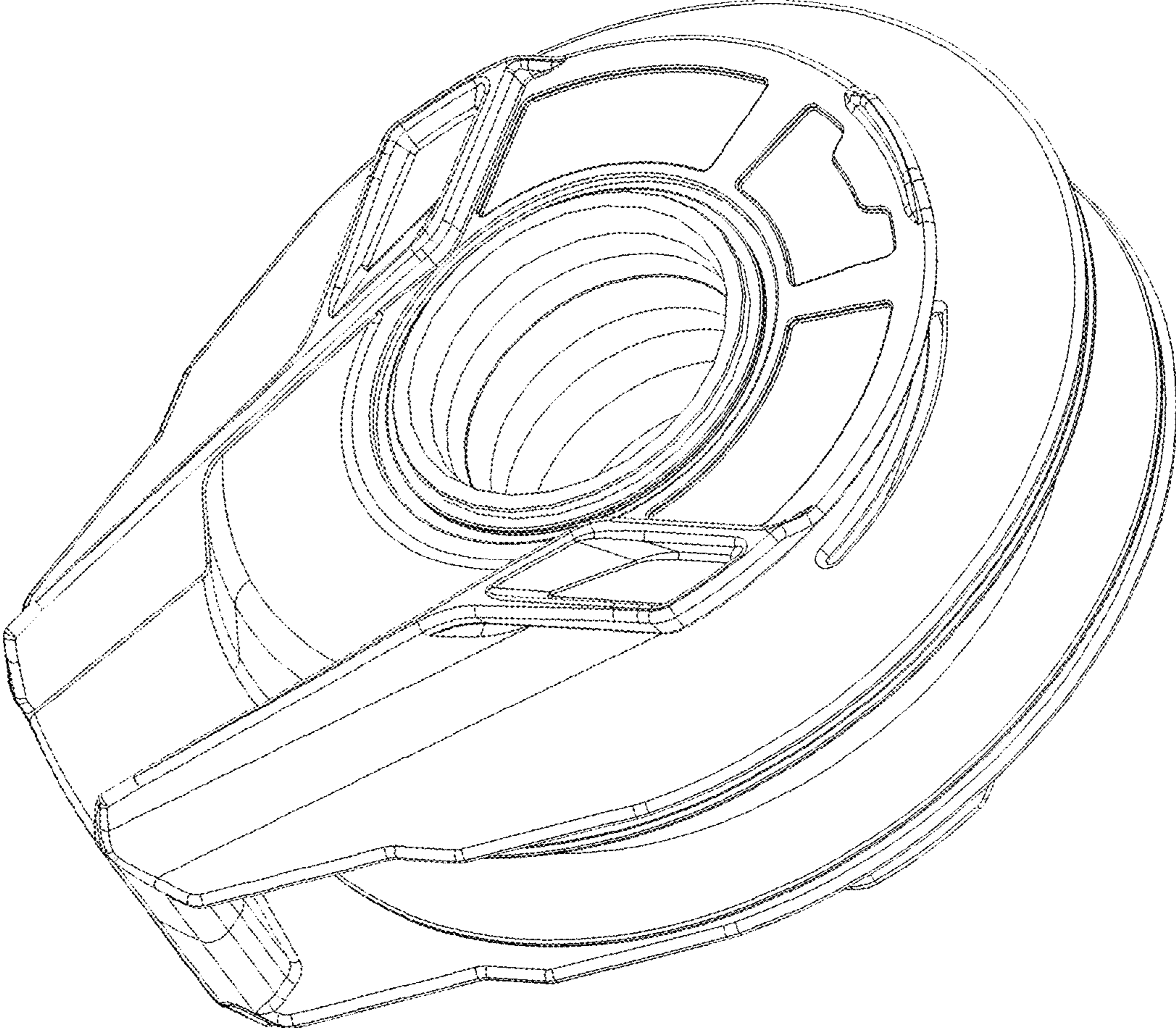


FIG. 7