

US00D897191S

(12) **United States Design Patent**
Bell et al.

(10) **Patent No.:** **US D897,191 S**
(45) **Date of Patent:** **** Sep. 29, 2020**

- (54) **DUAL ROD ANGLE ADAPTER**
- (71) Applicant: **ConcealFab Corporation**, Colorado Springs, CO (US)
- (72) Inventors: **Thomas Bell**, Colorado Springs, CO (US); **Steve Rogers**, Colorado Springs, CO (US); **Jacob Lovelady**, Colorado Springs, CO (US)
- (73) Assignee: **ConcealFab Corporation**, Colorado Springs, CO (US)
- (**) Term: **15 Years**

9,853,434	B2	12/2017	Vaccaro	
9,866,004	B2	1/2018	Vaccaro	
9,903,510	B2	2/2018	Joshi et al.	
9,995,414	B2	6/2018	Joshi et al.	
10,158,218	B2	12/2018	Vaccaro et al.	
10,243,339	B2	3/2019	Vaccaro et al.	
10,253,906	B2	4/2019	Vaccaro	
10,422,446	B2	9/2019	Joshi et al.	
D879,782	S *	3/2020	Bell	D14/433
D879,783	S *	3/2020	Bell	D14/433
D879,784	S *	3/2020	Bell	D14/433
D879,785	S *	3/2020	Bell	D14/433
D890,182	S *	7/2020	Bell	D14/433
2002/0066833	A1	6/2002	Ferrill et al.	
2009/0294602	A1	12/2009	Korczak	

(Continued)

- (21) Appl. No.: **29/736,088**
- (22) Filed: **May 27, 2020**
- (51) **LOC (12) Cl.** **08-05**
- (52) **U.S. Cl.**
USPC **D8/354; D14/433; D8/356**
- (58) **Field of Classification Search**
USPC D8/19, 71, 349, 354, 355, 356, 382, 383,
D8/394, 395, 396, 499; D14/432, 433;
D13/133, 148, 149
CPC F16G 11/105; F16L 33/12; F16L 33/08;
F16L 33/02; H02G 3/30; H02G 7/06;
A62C 13/78; A47K 10/14
See application file for complete search history.

OTHER PUBLICATIONS

SitePro1 a Valmont Company (website), [https://www.sitepro 1.com/store/cart. ph p?m=product_list&c= 1](https://www.sitepro1.com/store/cart.php?p=m=product_list&c=1), Oct. 21, 2006.

(Continued)

Primary Examiner — Keli L Hill
Assistant Examiner — Harold E Blackwell, II
(74) *Attorney, Agent, or Firm* — Mehrman Law Office;
Michael J. Mehrman

(57) **CLAIM**

The ornamental design for a dual rod angle adapter, as shown and described.

DESCRIPTION

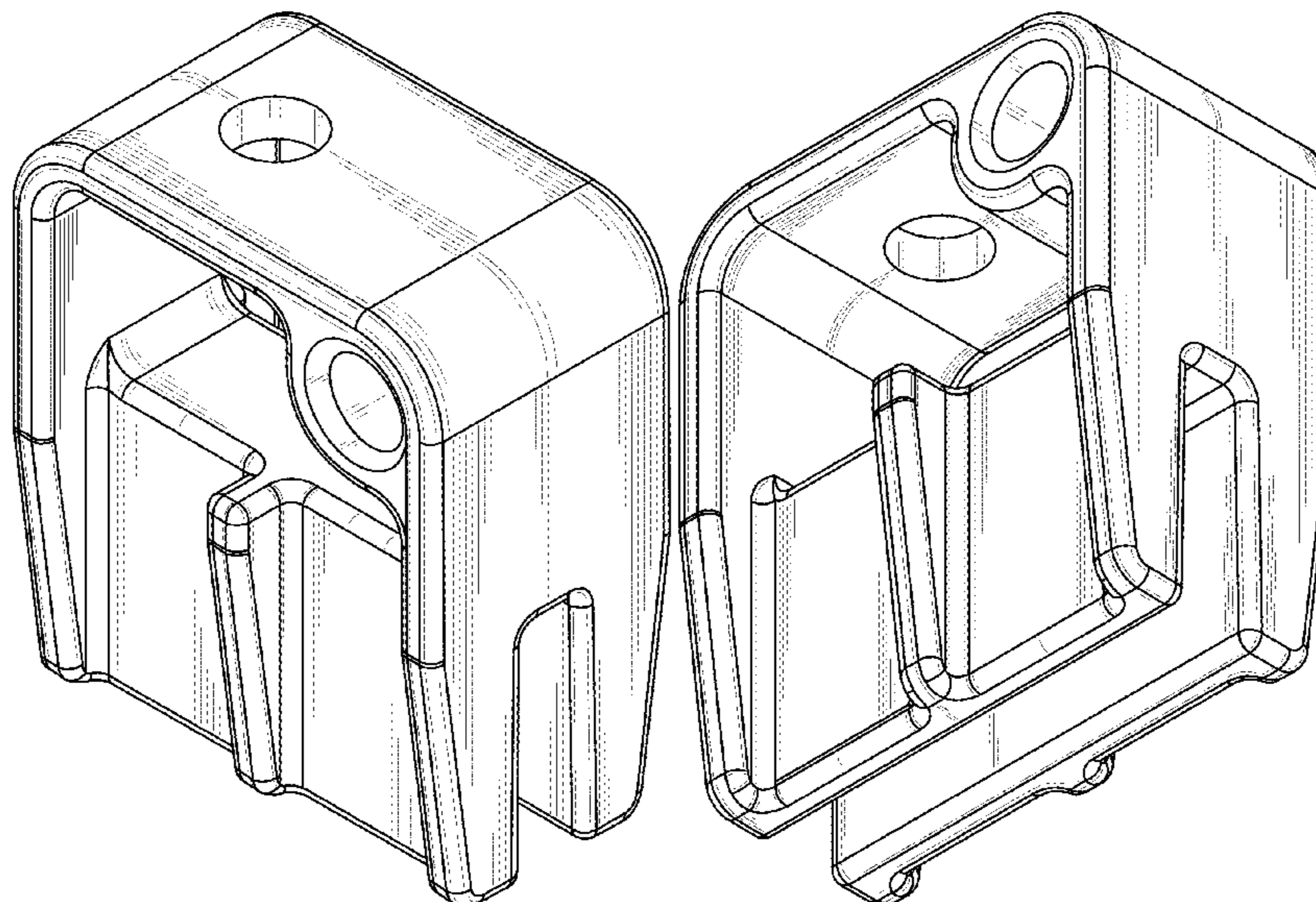
FIG. 1 is a top, side perspective view of a dual rod angle adapter showing the new design;
FIG. 2 bottom, side perspective view thereof;
FIG. 3 is a front elevational view thereof;
FIG. 4 is a right side elevational view thereof;
FIG. 5 is a left side elevational view thereof;
FIG. 6 is a top view of thereof; and,
FIG. 7 is a bottom view thereof.

1 Claim, 7 Drawing Sheets

(56) **References Cited**

U.S. PATENT DOCUMENTS

5,794,897	A	8/1998	Jobin et al.	
6,354,543	B1	3/2002	Paske	
6,443,402	B1	9/2002	Ferrill et al.	
6,899,305	B2	5/2005	Korczak et al.	
D576,026	S *	9/2008	Mazzocco	D8/382
8,011,621	B2	9/2011	Korczak	
8,439,316	B2 *	5/2013	Feige	F16L 3/10 248/71
9,086,175	B2	7/2015	Feige	



(56)

References Cited

U.S. PATENT DOCUMENTS

2011/0107719 A1* 5/2011 Kodi E04G 21/122
52/745.21
2011/0226913 A1* 9/2011 Feige F16L 3/12
248/74.2
2012/0305724 A1* 12/2012 Diez Herrera F16B 21/075
248/231.81
2014/0086704 A1 3/2014 Hemingway et al.

OTHER PUBLICATIONS

Petrilla Technologies, LLC (website), <https://petrillatechnologies.com/support-accessories.html>, Mar. 24, 2017.

CommScope (website), https://www.commscope.com/catalog/tools_accessories/product.aspx?id=46, Oct. 28, 2012.

FIMO, "Product Data Sheet, BAP 10, Plastic Socle for BFI 10 Threaded Bars" Apr. 13, 2016 (and associated photograph).

* cited by examiner

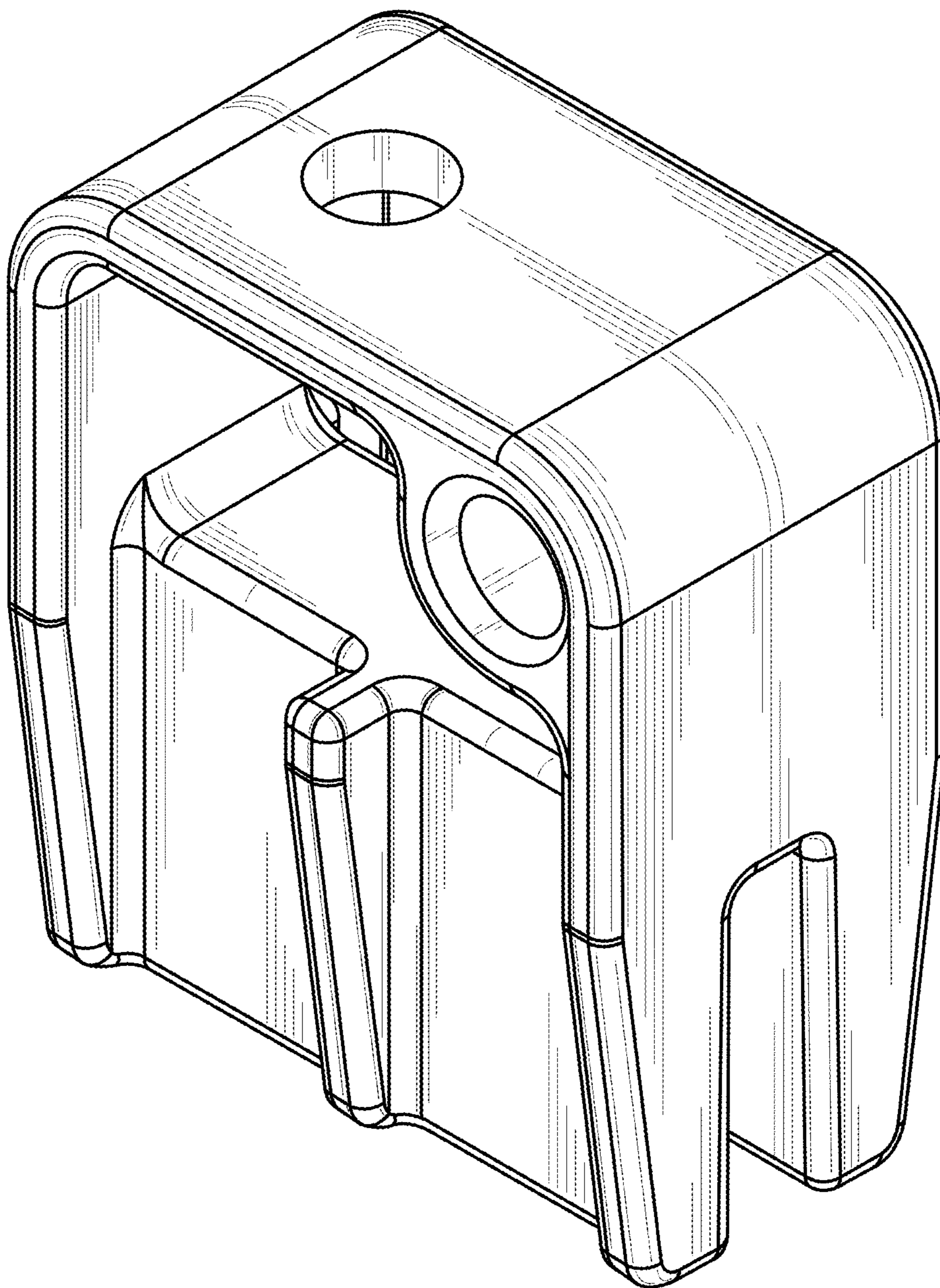


FIG. 1

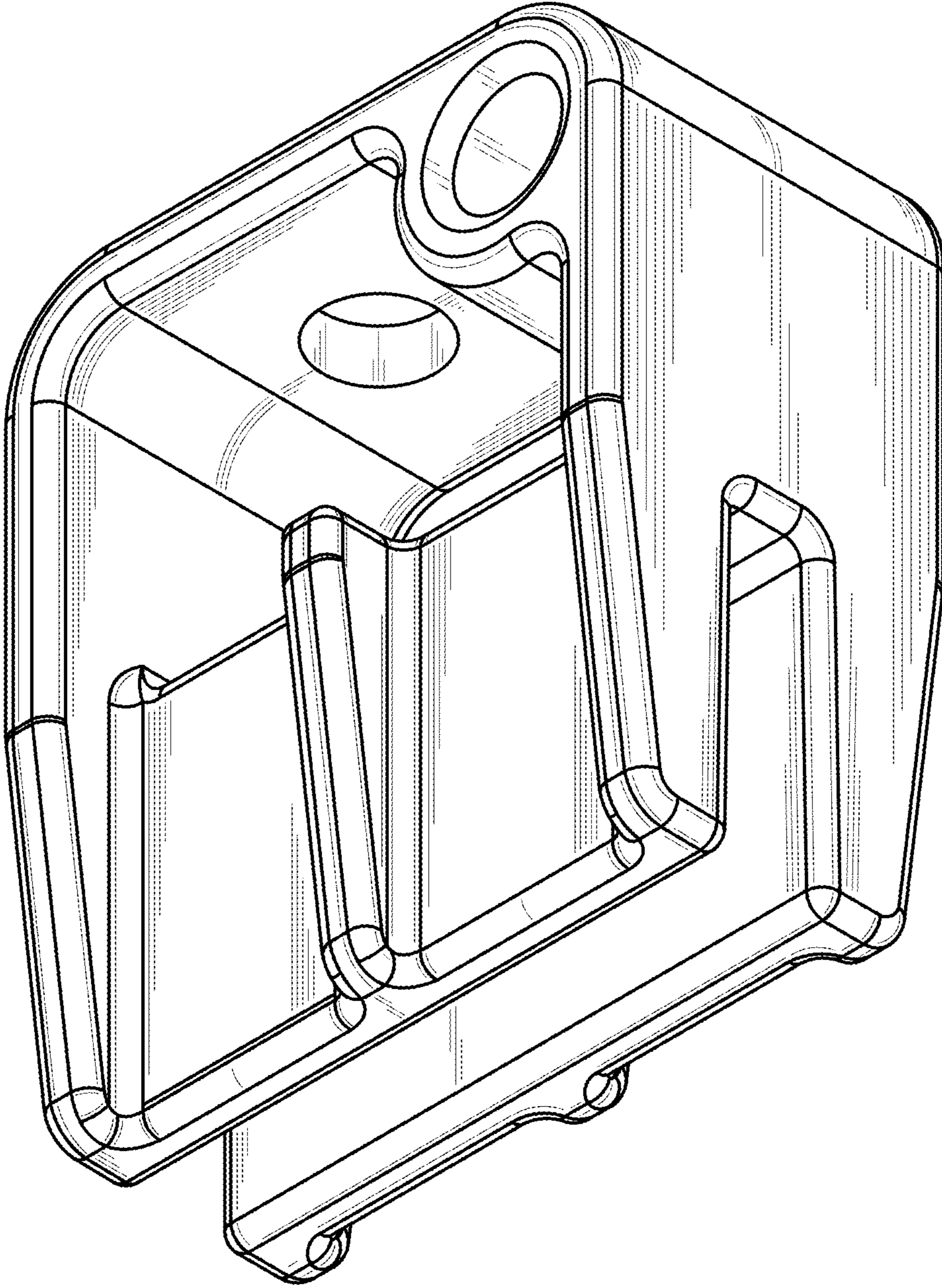


FIG. 2

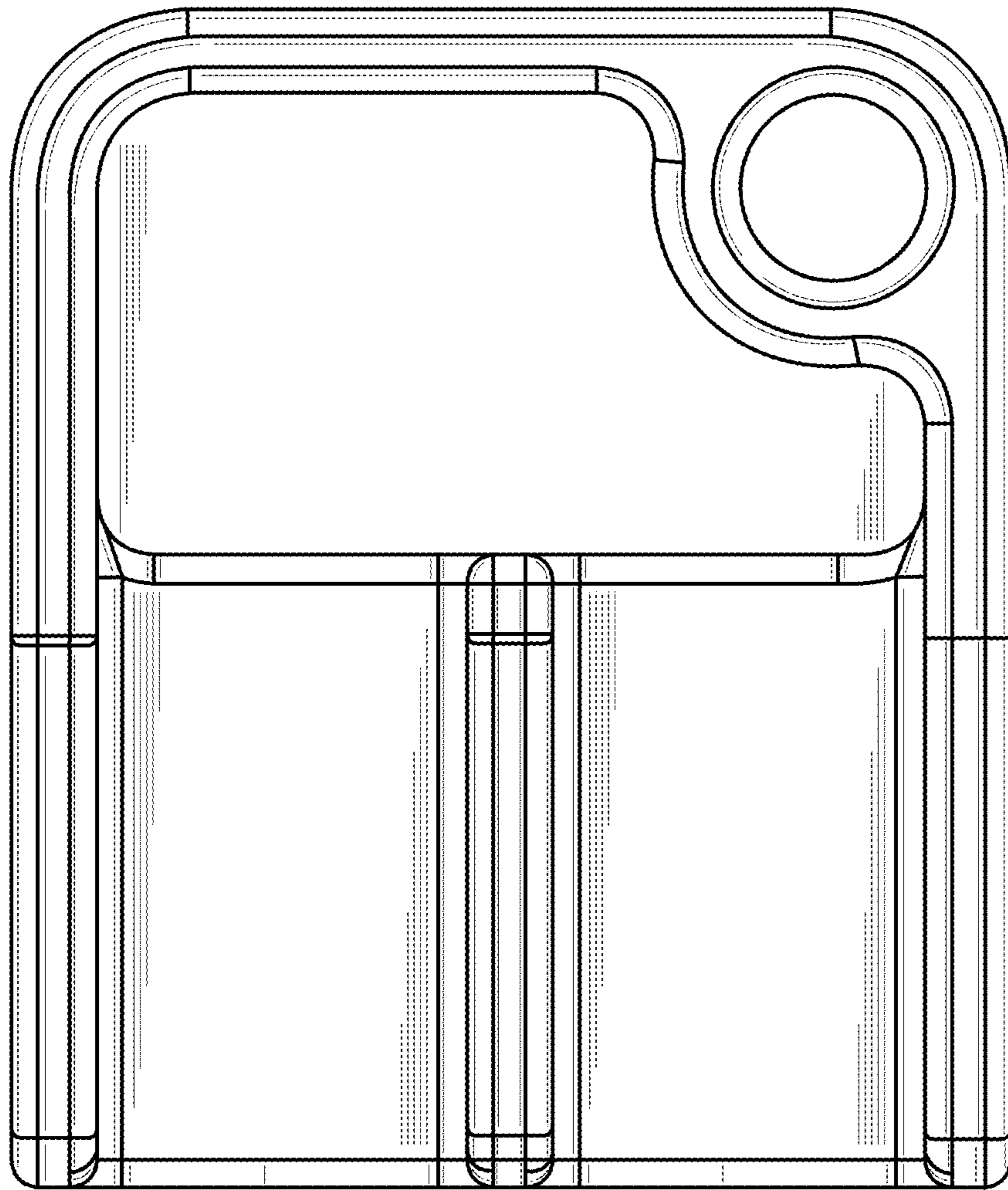


FIG. 3

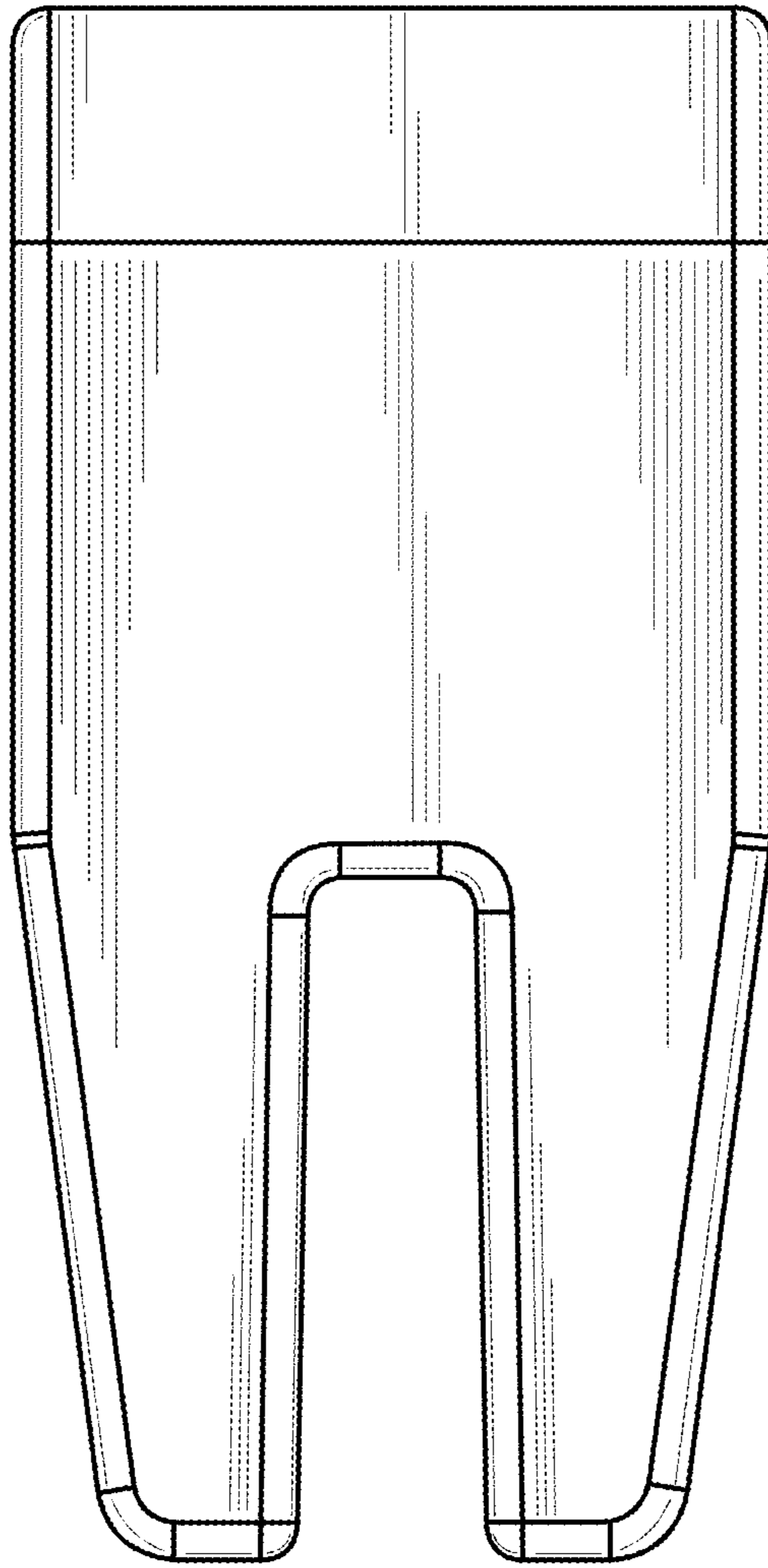


FIG. 4

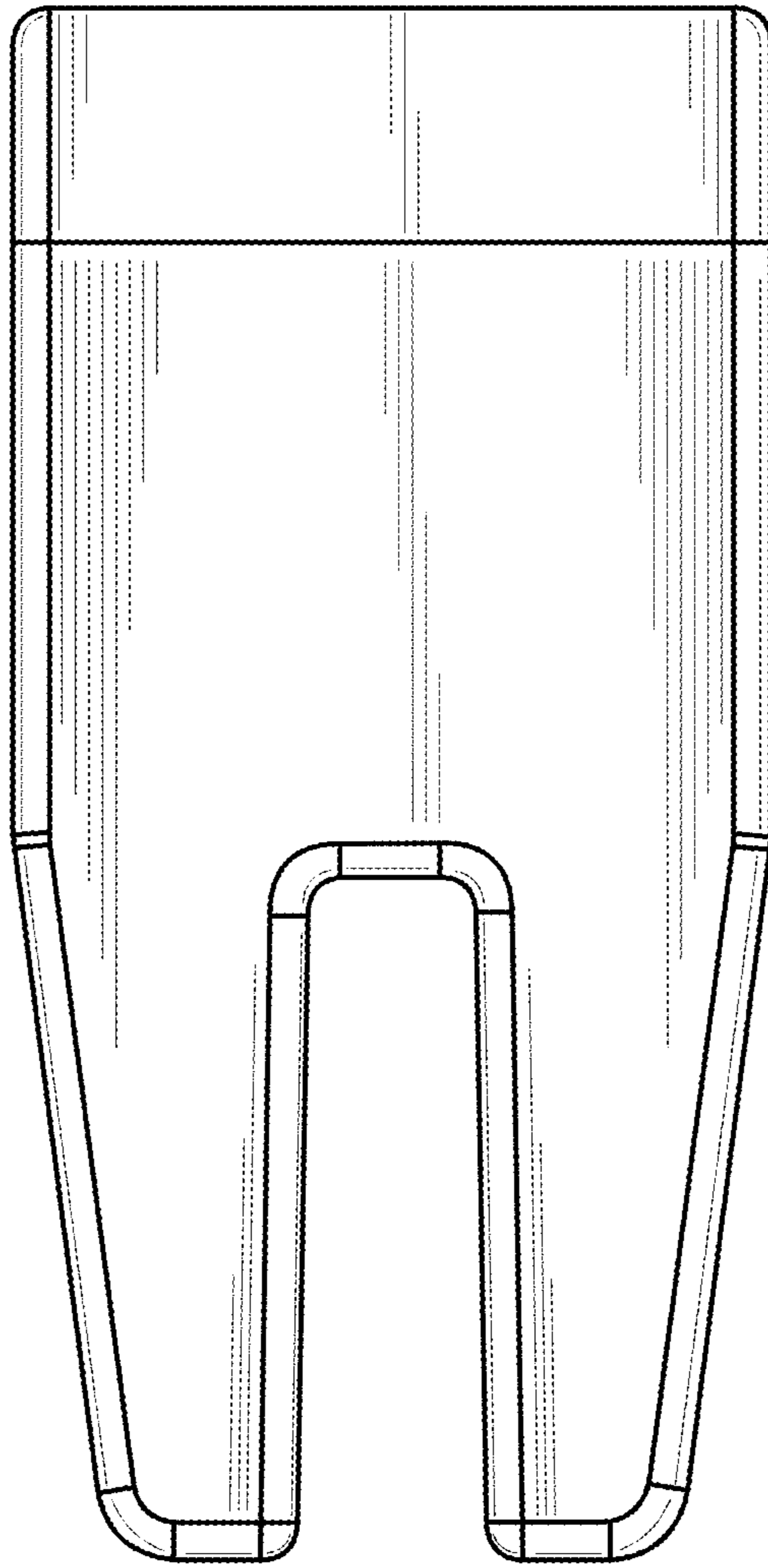


FIG. 5

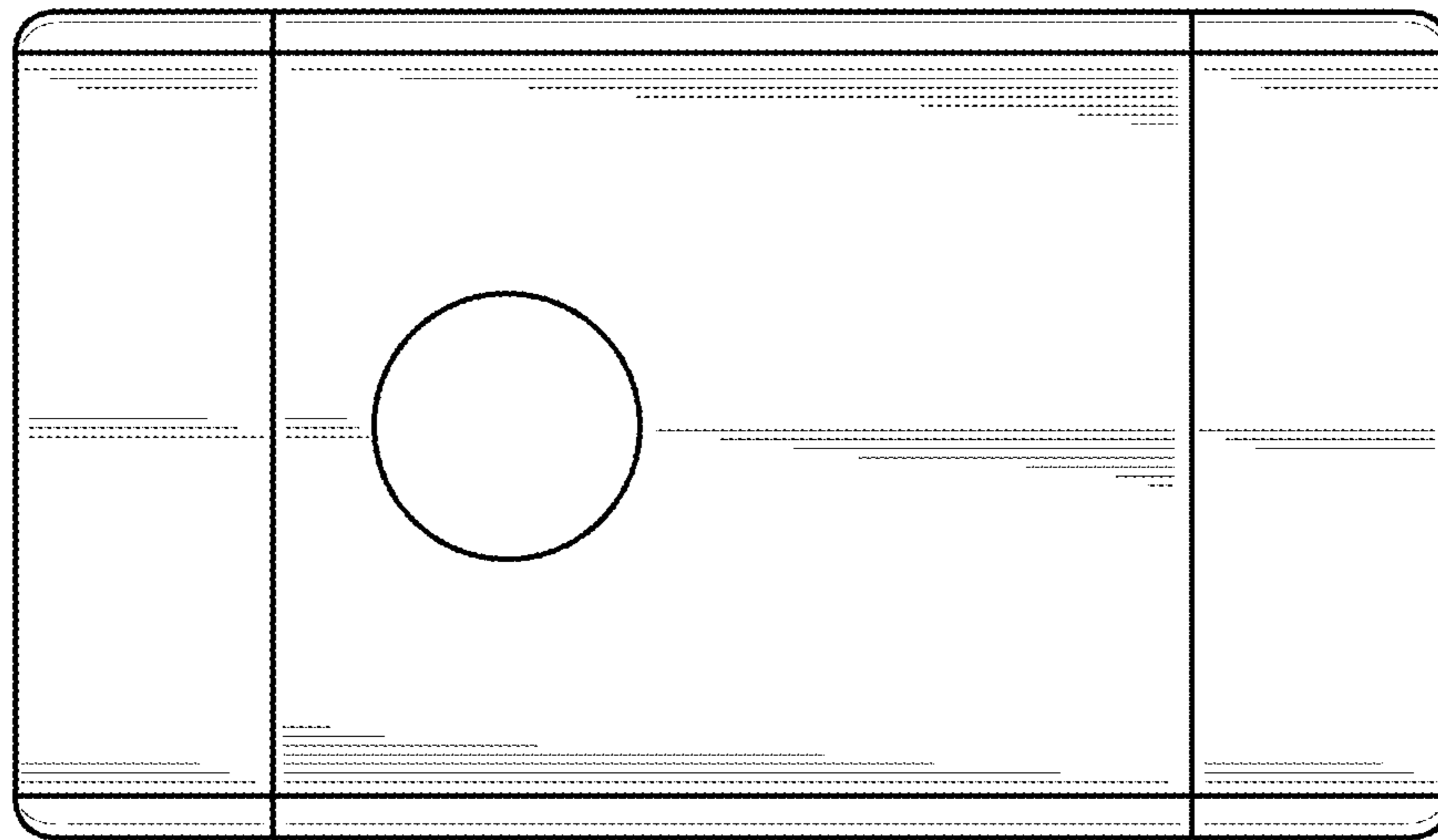


FIG. 6

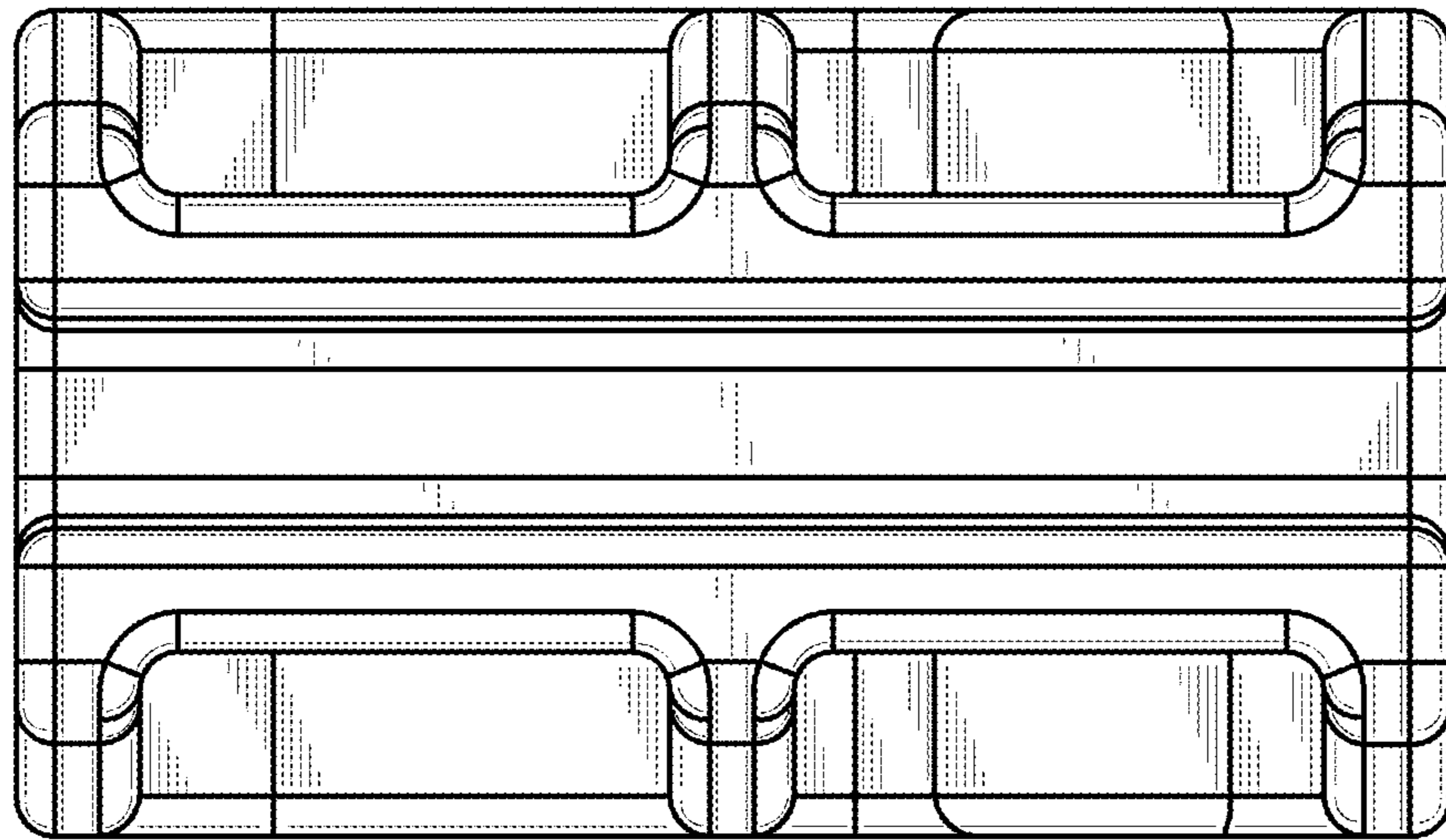


FIG. 7