



US00D897190S

(12) **United States Design Patent**
Hansort

(10) **Patent No.:** **US D897,190 S**

(45) **Date of Patent:** **** Sep. 29, 2020**

(54) **FLOOR DOWEL SLEEVE**

(71) Applicant: **Midwest Concrete & Masonry Supply, Inc.**, Naperville, IL (US)

(72) Inventor: **Marinus Hansort**, St. Pete Beach, FL (US)

(73) Assignee: **Midwest Concrete & Masonry Supply, Inc.**, Naperville, IL (US)

(**) Term: **15 Years**

(21) Appl. No.: **29/724,388**

(22) Filed: **Feb. 14, 2020**

Related U.S. Application Data

(63) Continuation of application No. 16/365,887, filed on Mar. 27, 2019, now Pat. No. 10,662,642.

(51) **LOC (12) Cl.** **08-05**

(52) **U.S. Cl.**
USPC **D8/354**

(58) **Field of Classification Search**
USPC D8/349, 350, 353, 354, 380, 382, 499
(Continued)

(56) **References Cited**

U.S. PATENT DOCUMENTS

2,093,697 A 9/1937 Scholer
2,096,702 A 10/1937 Yeoman
(Continued)

FOREIGN PATENT DOCUMENTS

EP 1389648 B1 1/2007

OTHER PUBLICATIONS

PNA Construction Technologies, Inc., Diamond Dowel System, Jan. 2010.

(Continued)

Primary Examiner — Janice Hallmark

Assistant Examiner — Harold E Blackwell, II

(74) *Attorney, Agent, or Firm* — Honigman LLP

(57) **CLAIM**

I claim the ornamental design for a floor dowel sleeve, as shown and described.

DESCRIPTION

FIG. 1 is a rear perspective view of a floor dowel sleeve showing my new design;

FIG. 2 is a rear elevation view of the floor dowel sleeve shown in FIG. 1;

FIG. 3 is a front elevation view of the floor dowel sleeve shown in FIG. 1;

FIG. 4 is a right side elevation view of the floor dowel sleeve shown in FIG. 1;

FIG. 5 is a left side elevation view of the floor dowel sleeve shown in FIG. 1;

FIG. 6 is a top plan view of the floor dowel sleeve shown in FIG. 1;

FIG. 7 is a bottom plan view of the floor dowel sleeve shown in FIG. 1;

FIG. 8 is a disassembled perspective view of top and bottom pieces of the floor dowel sleeve shown in FIG. 1;

FIG. 9 is a rear elevation view of the bottom piece shown in FIG. 8;

FIG. 10 is a rear elevation view of the top piece shown in FIG. 8;

FIG. 11 is a front elevation view of the bottom piece shown in FIG. 8;

FIG. 12 is a front elevation view of the top piece shown in FIG. 8;

FIG. 13 is a right side elevation view of the top and bottom pieces of the disassembled floor dowel sleeve shown in FIG. 8;

FIG. 14 is a left side elevation view of the top and bottom pieces of the disassembled floor dowel sleeve shown in FIG. 8;

FIG. 15 is a top plan view of the top and bottom pieces of the disassembled floor dowel sleeve shown in FIG. 8;

FIG. 16 is a bottom plan view of the top and bottom pieces of the disassembled floor dowel sleeve shown in FIG. 8; and,

(Continued)

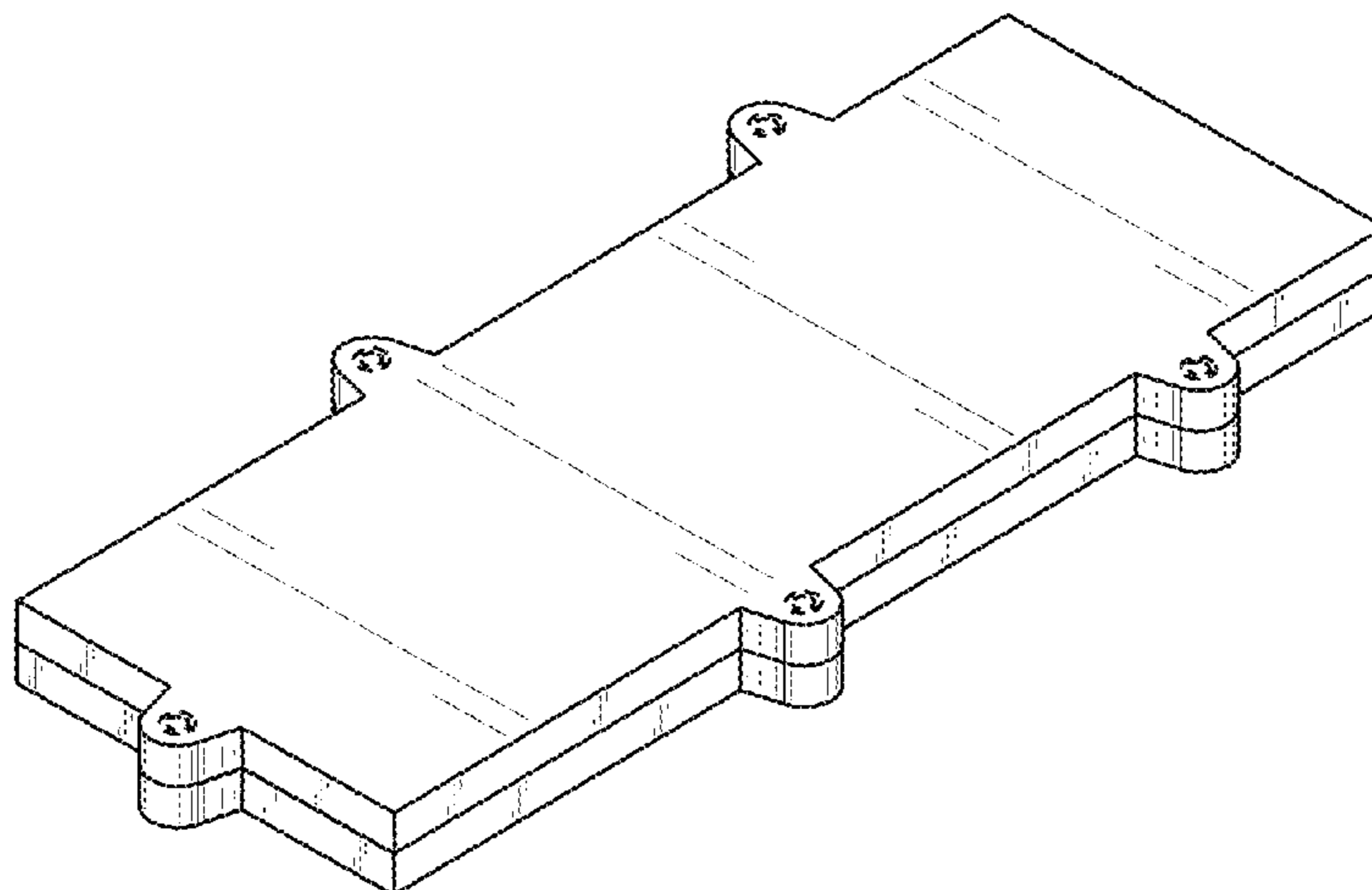


FIG. 17 is a perspective view of the floor dowel sleeve shown in FIG. 1 illustrated in engagement with an unclaimed dowel and supported by an unclaimed dowel basket assembly.

In the drawings, the broken lines depict unclaimed portions of the floor dowel sleeve in FIGS. 1, 3, 6, 8, 9, and 11-16 and illustrate environmental subject matter in FIG. 17. The broken lines form no part of the claimed design.

1 Claim, 17 Drawing Sheets

(58) **Field of Classification Search**

CPC E04B 1/4114; E04B 5/023; E04B 1/483
See application file for complete search history.

(56) **References Cited**

U.S. PATENT DOCUMENTS

2,181,005	A	11/1939	Westcott	
2,194,718	A	3/1940	Older	
2,305,979	A	12/1942	Mitchell	
2,476,243	A	7/1949	Heltzel	
3,559,541	A	2/1971	Watstein	
4,882,821	A	11/1989	Sims, Jr.	
5,005,331	A	4/1991	Shaw et al.	
5,216,862	A	6/1993	Shaw et al.	
5,317,462	A *	5/1994	Kakizaki	G11B 33/1466 174/564
5,344,251	A	9/1994	Erb	
5,618,125	A	4/1997	McPhee et al.	
5,674,028	A	10/1997	Norin	
5,678,952	A	10/1997	Shaw et al.	
5,713,174	A	2/1998	Kramer	
5,797,231	A	8/1998	Kramer	
5,934,821	A	8/1999	Shaw et al.	
5,941,045	A	8/1999	Plehanoff et al.	
D419,700	S	1/2000	Shaw et al.	
6,145,262	A	11/2000	Schrader et al.	
6,191,950	B1 *	2/2001	Cox	H05K 5/0269 174/363
6,354,760	B1	3/2002	Boxall et al.	
D459,205	S	6/2002	Shaw et al.	
6,502,359	B1	1/2003	Rambo	
6,692,184	B1	2/2004	Kelly et al.	
6,758,023	B1	7/2004	Sorkin	
6,926,463	B2	8/2005	Shaw et al.	

7,004,443	B2	2/2006	Bennett	
7,314,333	B2	1/2008	Shaw et al.	
7,338,230	B2	3/2008	Shaw et al.	
7,381,008	B2	6/2008	Shaw et al.	
D572,569	S *	7/2008	Magnesio	D8/354
7,441,985	B2	10/2008	Kelly et al.	
7,481,031	B2	1/2009	Boxall et al.	
7,604,432	B2	10/2009	Shaw et al.	
7,736,088	B2	6/2010	Boxall et al.	
7,748,928	B2	7/2010	Estes et al.	
7,967,527	B2	6/2011	Estes et al.	
8,465,222	B1	6/2013	Ghauch et al.	
8,672,579	B2	3/2014	Laiho et al.	
9,340,969	B1	5/2016	Shaw	
10,323,406	B2 *	6/2019	Hansort	E04B 1/4114
10,428,518	B2	10/2019	Hansort	
2005/0036835	A1	2/2005	Shaw et al.	
2005/0214074	A1	9/2005	Shaw et al.	
2006/0140721	A1	6/2006	Shaw et al.	
2006/0182496	A1	8/2006	Shaw et al.	
2006/0275078	A1	12/2006	Shaw et al.	
2007/0231068	A1 *	10/2007	Francies	E01C 11/14 404/56
2007/0269266	A1	11/2007	Kelly et al.	
2008/0014018	A1	1/2008	Boxall et al.	
2008/0267704	A1	10/2008	Shaw et al.	
2009/0035063	A1	2/2009	Estes et al.	
2010/0054858	A1	3/2010	Mayo et al.	
2010/0229474	A1	9/2010	Estes et al.	
2010/0313518	A1	12/2010	Berg	
2012/0096800	A1	4/2012	Berg	
2015/0197898	A1	7/2015	Shaw	
2015/0204026	A1 *	7/2015	McDonald	E04B 1/48 404/60
2016/0083914	A1	3/2016	Shaw	
2016/0222600	A1	8/2016	Shaw	
2018/0135297	A1	5/2018	Parkes et al.	
2018/0202145	A1	7/2018	Hansort	
2019/0257074	A1	8/2019	Hansort	
2019/0301153	A1 *	10/2019	Hansort	E04C 5/163

OTHER PUBLICATIONS

Greenstreak Group, Inc., You have a Choice!, Mar. 2010.
PNA Construction Technologies, Inc, PD³ Basket Assembly, Jan. 2010.
PNA Construction Technologies, Inc., Square Dowel and Clip, Jan. 2010.

* cited by examiner

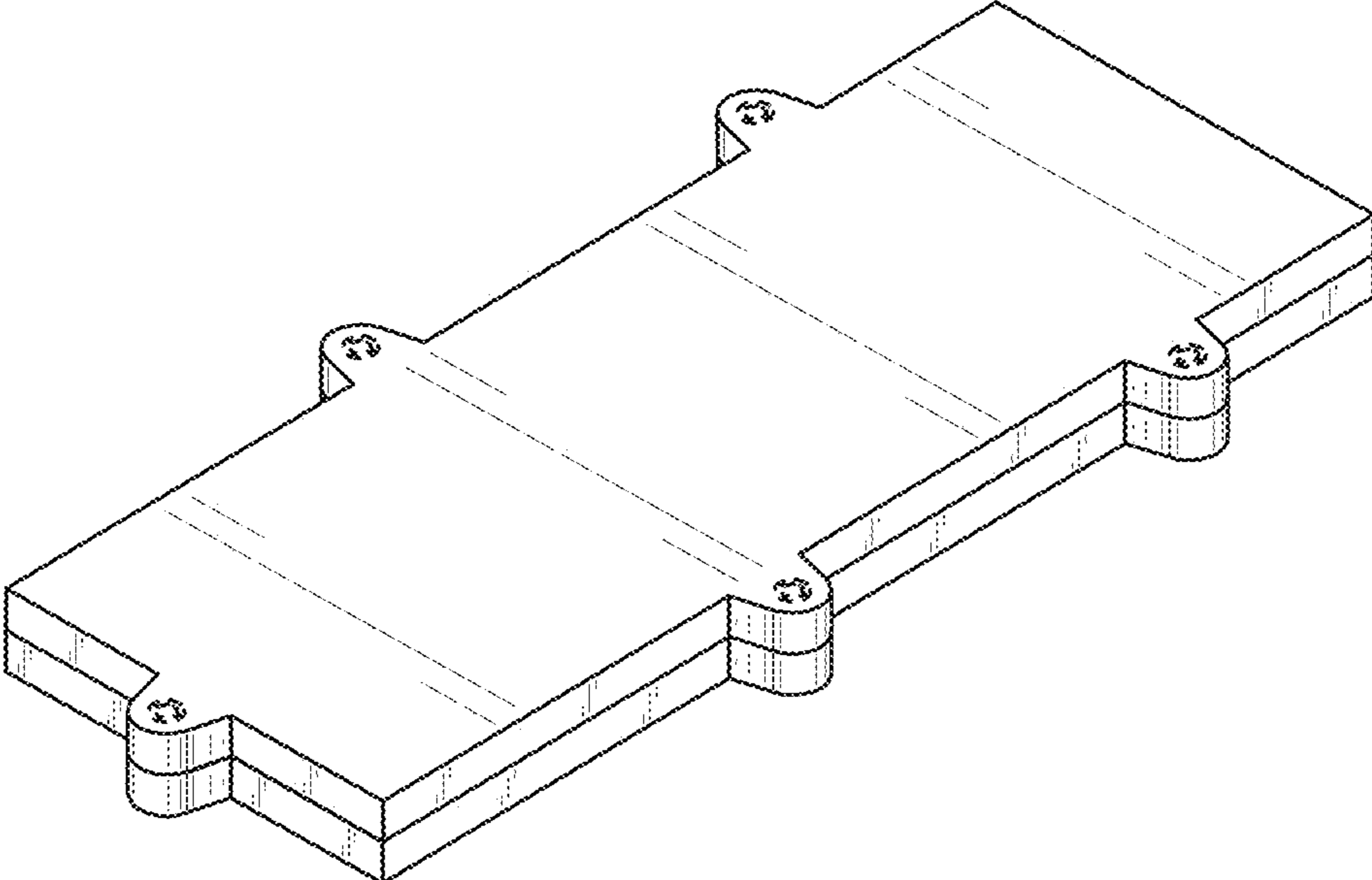


FIG. 1

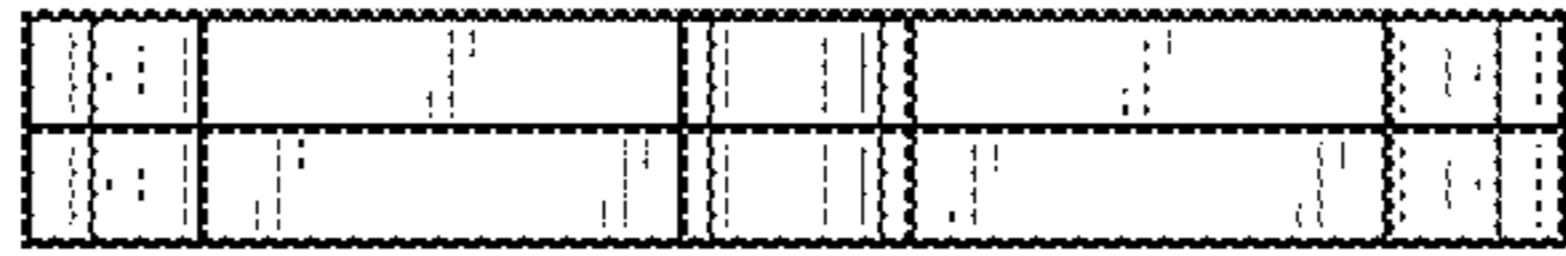


FIG. 2



FIG. 3



FIG. 4



FIG. 5

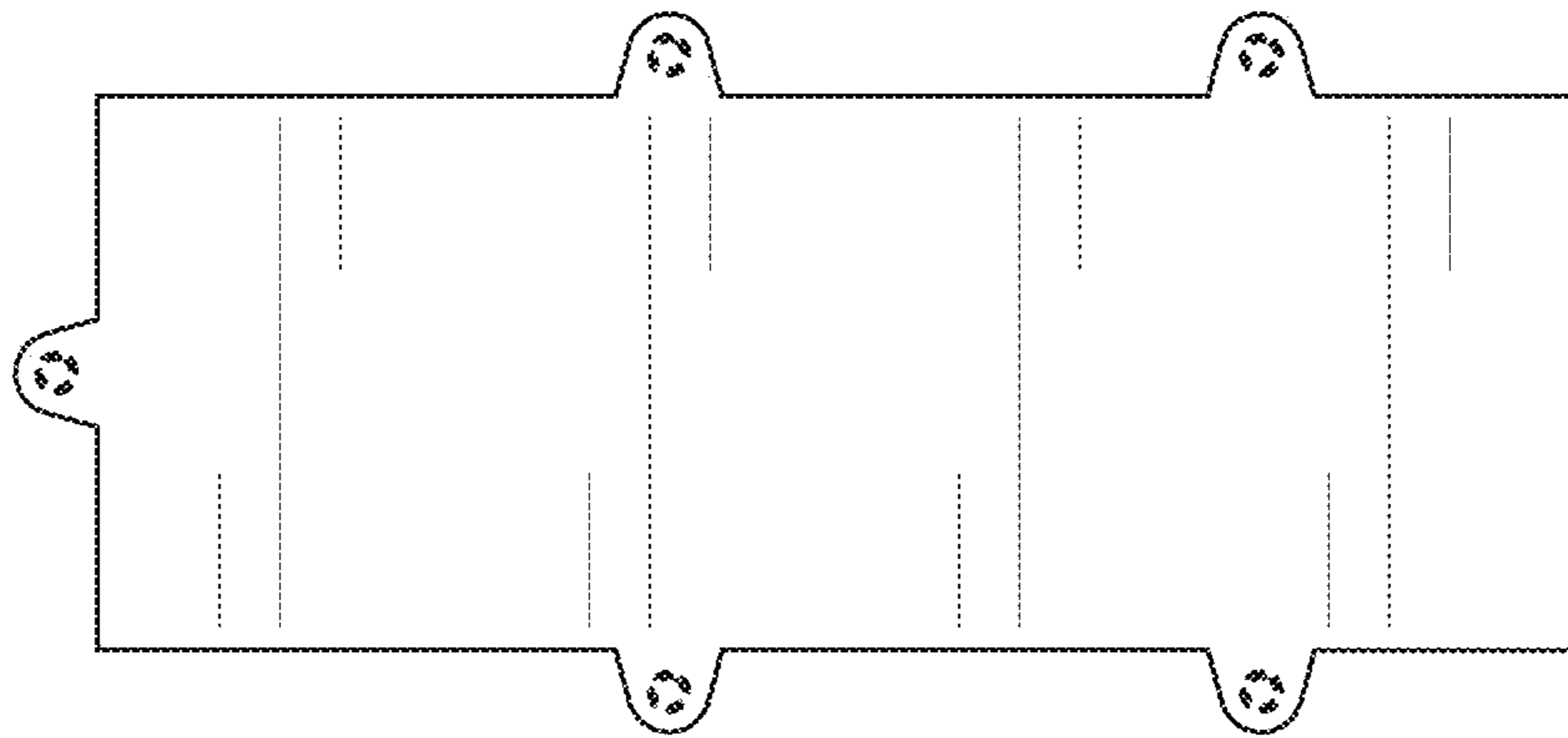


FIG. 6

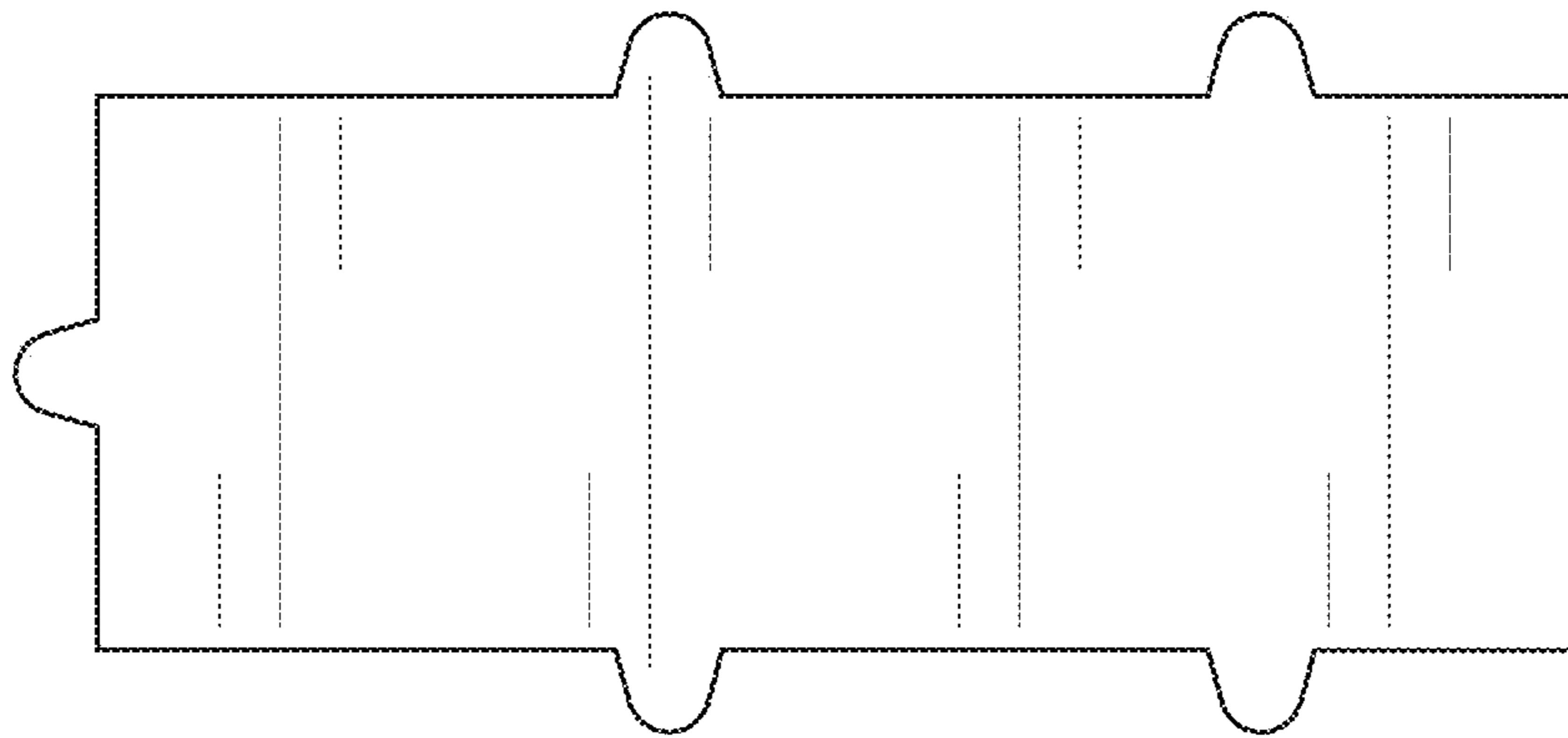


FIG. 7

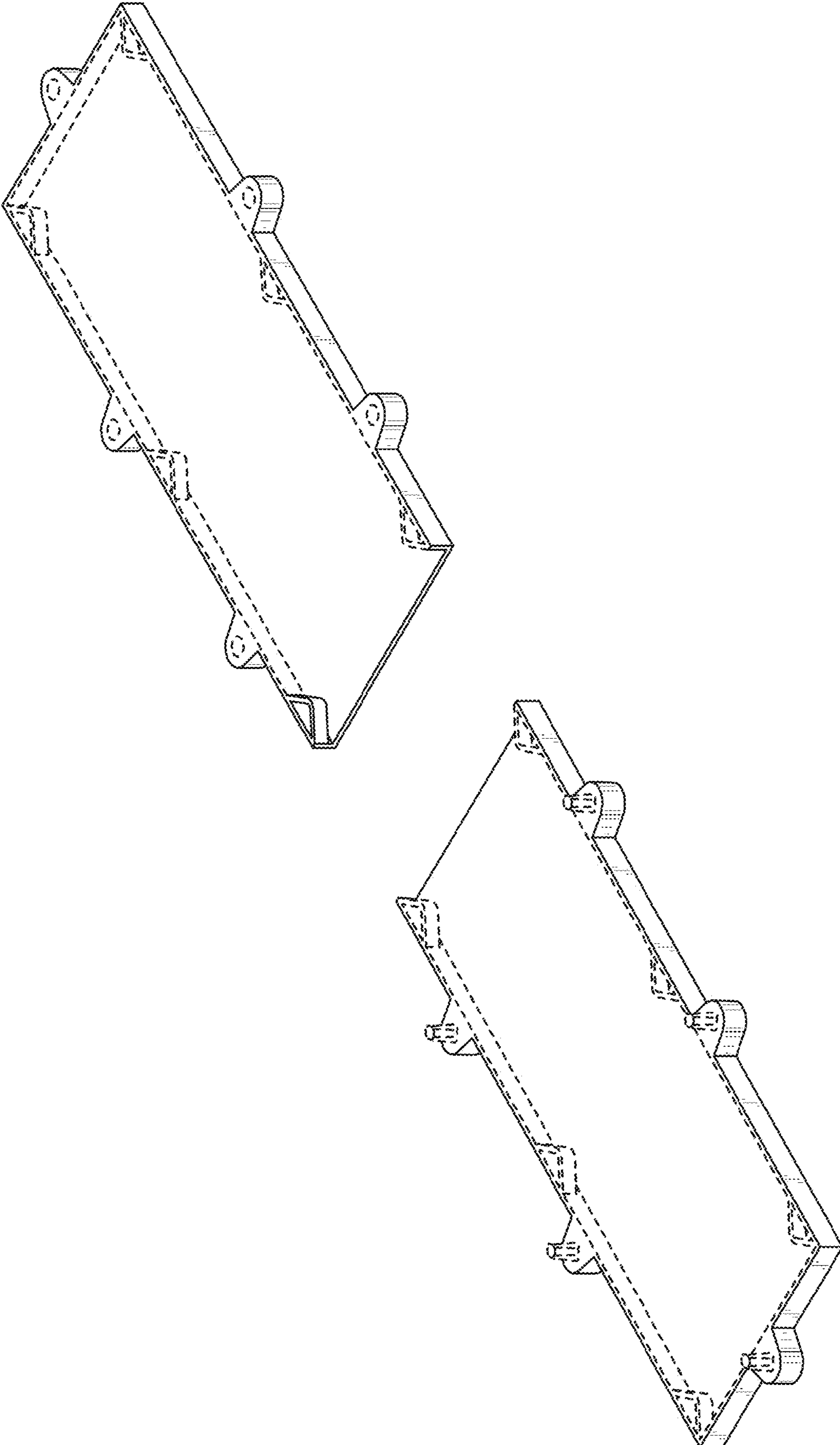


FIG. 8

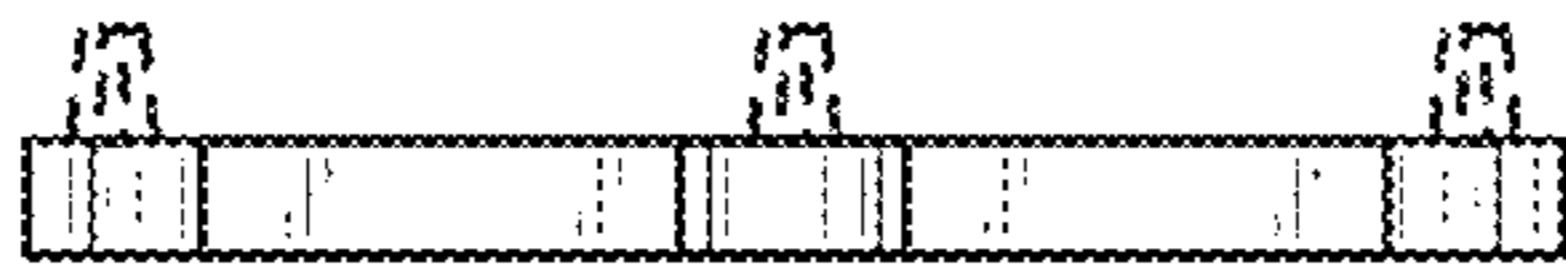


FIG. 9



FIG. 10

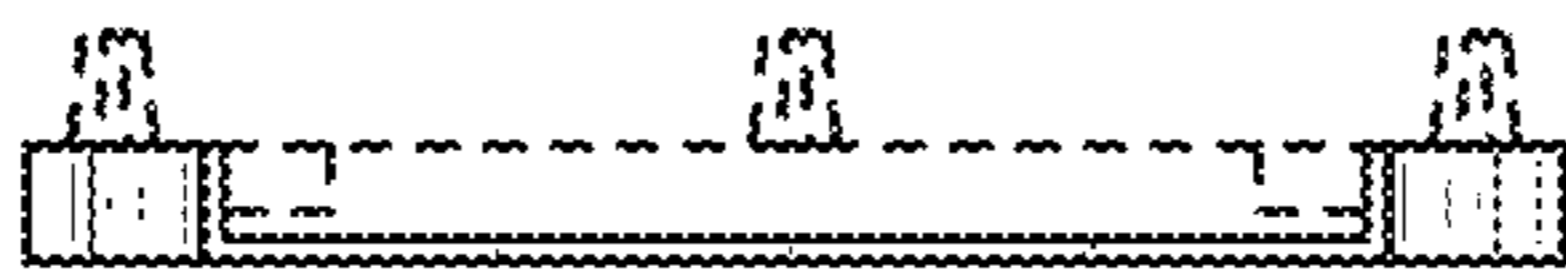


FIG. 11

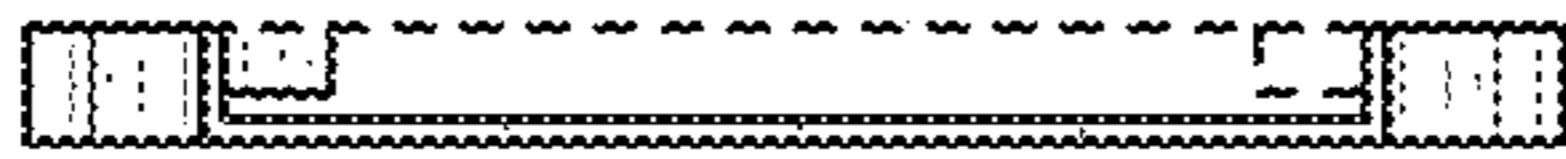


FIG. 12



FIG. 13



FIG. 14

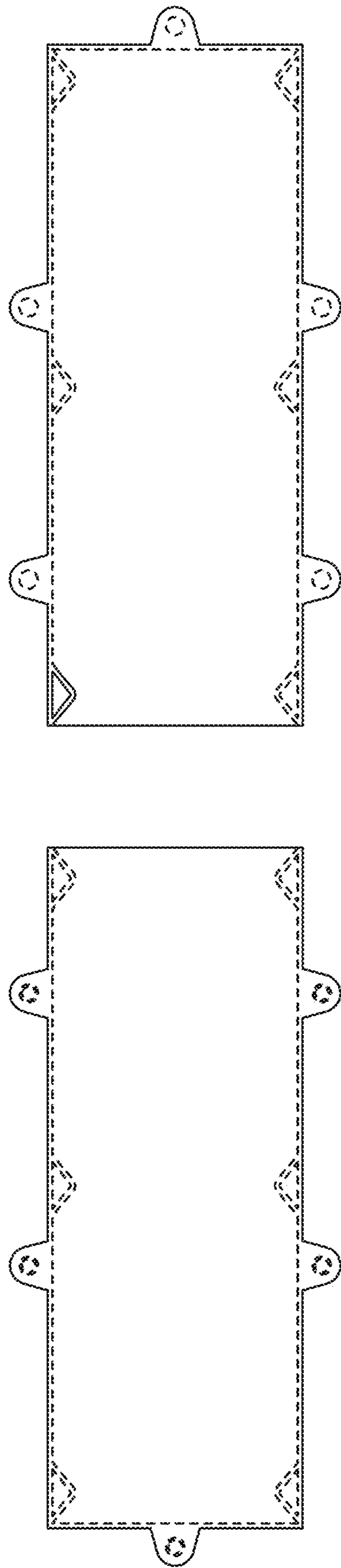


FIG. 15

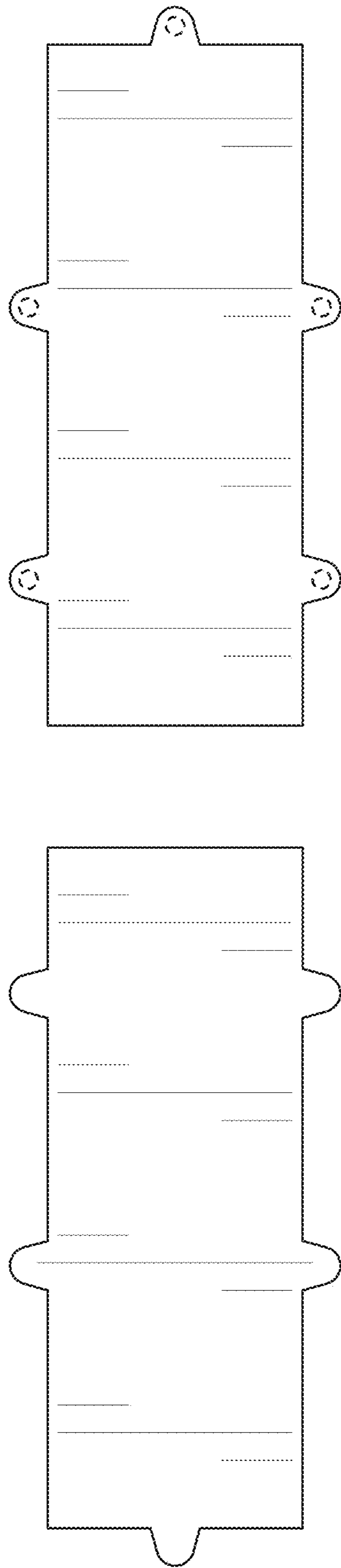


FIG. 16

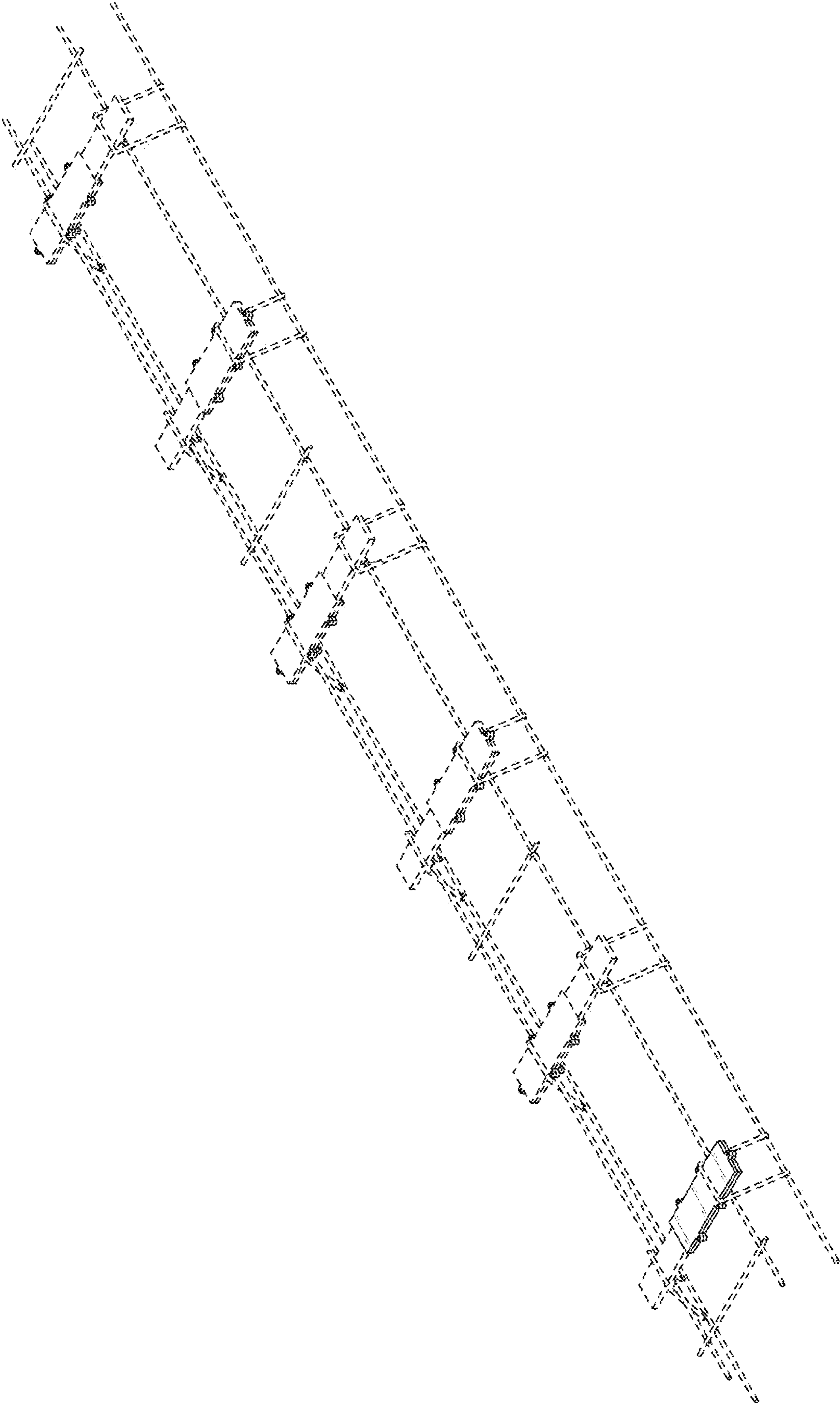


FIG. 17