



US00D897184S

(12) **United States Design Patent** (10) **Patent No.:** **US D897,184 S**
Perkins, Jr. et al. (45) **Date of Patent:** **** Sep. 29, 2020**

(54) **HANDLE**

(71) Applicant: **Welch Allyn, Inc.**, Skaneateles Falls, NY (US)

(72) Inventors: **David G. Perkins, Jr.**, Batesville, IN (US); **Robert S. Englert**, Batesville, IN (US); **Timothy R. Fitch**, Batesville, IN (US); **Brian Perrault**, Batesville, IN (US)

(73) Assignee: **WELCH ALLYN, INC.**, Skaneateles Falls, NY (US)

(**) Term: **15 Years**

(21) Appl. No.: **29/693,823**

(22) Filed: **Jun. 5, 2019**

(51) **LOC (12) Cl.** **08-06**

(52) **U.S. Cl.**
USPC **D8/303**; D24/133

(58) **Field of Classification Search**
USPC D8/107, 300, 303, 307, 310, 321, 322;
D7/393, 394, 395, 396; D24/133, 137
CPC Y10T 16/469; Y10T 16/44; Y10T 16/466;
Y10T 16/4713; Y10T 16/459; Y10T
74/20828; Y10T 29/49826; Y10T
74/20732; Y10T 16/4559; Y10T
74/20864; Y10T 74/20822; A46B 5/026;
A46B 2200/302; A46B 5/021; A47L
13/022; A47L 1/06; A47L 13/20; A47L
11/4075; B25G 1/10; B25G 1/00; B25G
3/04; B25G 3/00; Y10S 16/12; Y10S
16/19; Y10S 16/41; Y10S 16/90; Y10S
16/40; A61B 1/267

See application file for complete search history.

(56) **References Cited**

U.S. PATENT DOCUMENTS

D207,372 S 4/1967 Pulos et al.
4,147,163 A 4/1979 Newman et al.

4,991,069 A 2/1991 Tiller
5,177,424 A 1/1993 Connors
5,437,212 A * 8/1995 Thompson B25B 13/463
81/63.1
D377,393 S 1/1997 Sams
D422,359 S 4/2000 Fitch et al.
D423,668 S 4/2000 Coe
D429,333 S 8/2000 Sanders et al.

(Continued)

OTHER PUBLICATIONS

“3.5 V Lithium Ion Rechargeable Handle” [online], retrieved from the Internet: <www.welchallyn.com/en/products/categories/physical-exam/power-handles/3-5-v-lithium-ion-rechargeable-handle.html> (May 15, 2019) 1 page.

(Continued)

Primary Examiner — Lauren R Calve
(74) *Attorney, Agent, or Firm* — Alston & Bird LLP

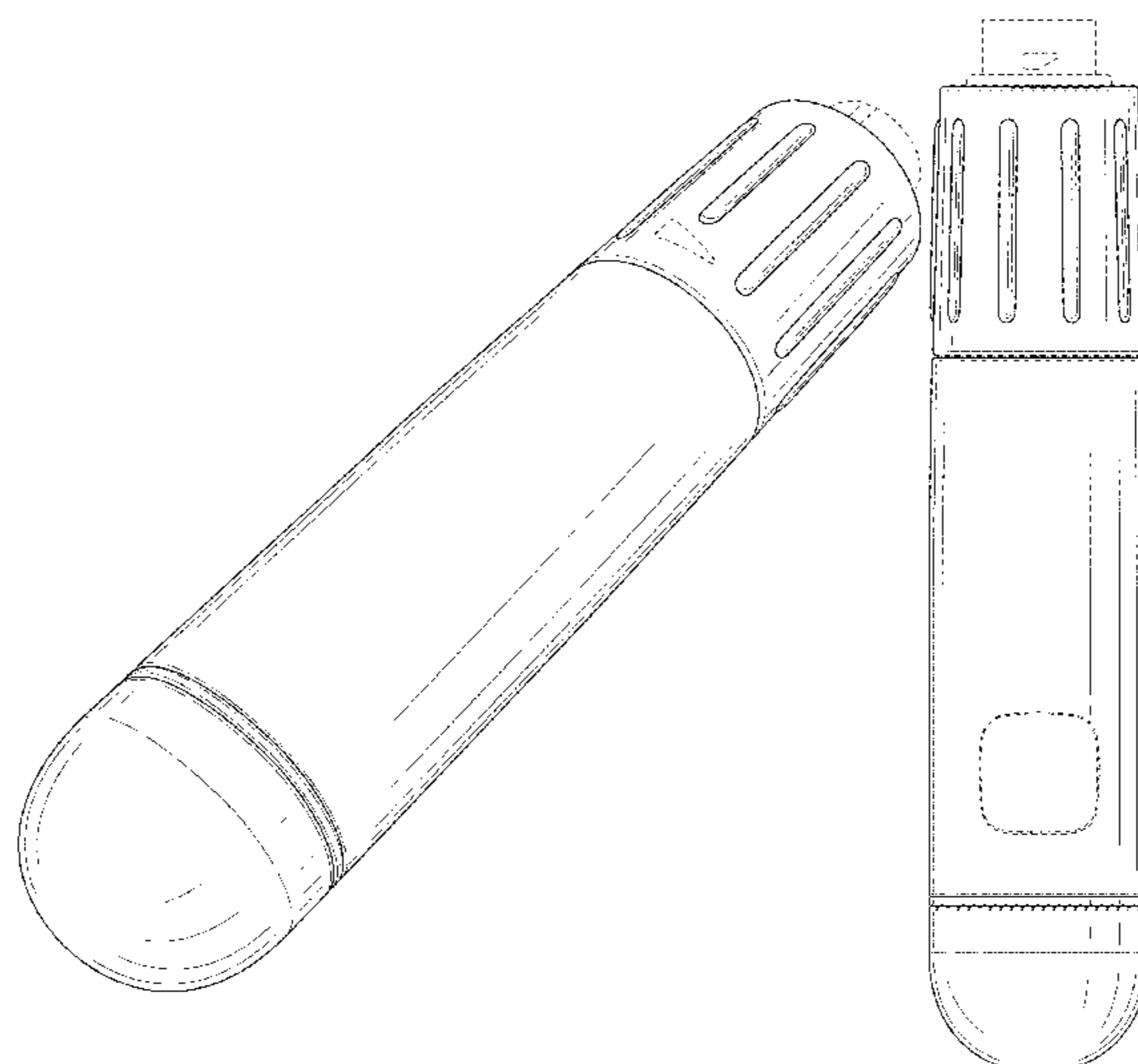
(57) **CLAIM**

We claim the ornamental design for a handle, as shown and described.

DESCRIPTION

FIG. 1 is a perspective view of a handle showing our new design;
FIG. 2 is another perspective view thereof;
FIG. 3 is a front elevation view thereof;
FIG. 4 is a rear elevation view thereof;
FIG. 5 is a left side elevation view thereof;
FIG. 6 is a right side elevation view thereof;
FIG. 7 is a top plan view thereof; and,
FIG. 8 is a bottom plan view thereof.
The broken lines adjacent shaded areas represent unclaimed features and bounds of the claimed design and form no part of the claimed design. All other broken lines are directed to unclaimed features and form no part of the claimed design.

1 Claim, 5 Drawing Sheets



(56)

References Cited

U.S. PATENT DOCUMENTS

6,130,520	A	10/2000	Wawro et al.	
D519,354	S *	4/2006	Hay	D8/303
D529,366	S *	10/2006	Wang	D8/107
D566,270	S	4/2008	Strom et al.	
D566,838	S	4/2008	Slawson et al.	
D594,555	S	6/2009	Hsu	
D605,006	S *	12/2009	Shiao	D8/107
D619,708	S	7/2010	Ellman	
D621,042	S *	8/2010	Ruf	D24/146
D621,932	S *	8/2010	Sonleiter	D24/133
8,197,403	B2	6/2012	Strom et al.	
8,459,844	B2	6/2013	Lia et al.	
D692,134	S *	10/2013	Lee-Sepsick	D24/146
8,602,777	B2 *	12/2013	Way	A61C 1/082 433/141
D709,191	S	7/2014	Wood et al.	
D760,895	S	7/2016	McMahon et al.	
D779,670	S *	2/2017	Krystyniak	D24/146
D782,037	S *	3/2017	Osyпка	D24/130
D789,519	S *	6/2017	Ratjen	D24/112
D799,026	S *	10/2017	Jones	D24/113
D830,151	S *	10/2018	Weinberg	D8/107
2004/0039251	A1	2/2004	Roberts et al.	
2006/0100655	A1 *	5/2006	Leong	A61B 5/15186 606/181
2015/0258307	A1 *	9/2015	Osyпка	A61M 25/0136 604/529
2015/0270634	A1 *	9/2015	Buesseler	A61B 18/1492 606/41
2015/0335861	A1 *	11/2015	Osyпка	A61M 25/0147 604/95.04

OTHER PUBLICATIONS

“3.5 V Nickel-Cadmium Rechargeable Handles” [online], retrieved from the Internet: <www.welchallyn.com/en/products/categories/physical-exam/power-handles/3-5-v-nickel-cadmium-rechargeable-handles/html> (May 15, 2019) 1 page [retrieved May 15, 2019].

“71900-USB.jpg” [online], retrieved from the Internet: <www.welchallyn.com/en/products/categories/physical-exam/power-handles/3-5-v-lithium-ion-rechargeable-handle/71900-USB.jpg> (May 15, 2019) 1 page [retrieved May 15, 2019].

“Welch Allyn Lithium Ion Handle” [online], retrieved from the Internet; <www.stethoscopeshop.com/welch-allyn-lithium-ion-handle.html> (May 15, 2019) 1 page [retrieved May 15, 2019].

“3.5 V Diagnostic Oscopes” [online], retrieved from the Internet: <<http://intl.welchallyn.com/apps/products/product.jsp?id=11-ac-100-000000001141.html>> (2011) 1 page [retrieved Jun. 10, 2014].

“3.5 V Standard Ophthalmoscope” [online], retrieved from the Internet: <<http://intl.welchallyn.com/apps/products/product.jsp?id=11-ac-100000000001137.html>> (2011) 1 page [retrieved Jun. 10, 2014].

“PocketScope Ophthalmoscope” [online], retrieved from the Internet: <<http://intl.welchallyn.com/apps/products/product.jsp?id=11-ac-100-000000001139.html>> (2011) 1 page [retrieved Jun. 10, 2014].

“PocketScope Oscope with Throat Illuminator” [online], retrieved from the Internet: <<http://intl.welchallyn.com/apps/products/product.jsp?id=11-ac-100-000000001148.html>> (2011) 1 page [retrieved Jun. 10, 2014].

“Welch Allyn 2.5v PocketScope Ophthalmoscope with AA Handle (Model 12820)” [online], retrieved from the Internet: <http://www.amazon.com/Welch-allyn-PocketScope-Ophthalmoscope-Handle/dp/B002MBRHROQ/ref=pe_sim_sbs_hpe_1?ie=UTF8&refRID=0KV7EFBWEAQ08K.html> (undated) 2 pages [retrieved Jun. 10, 2014].

“Welch Allyn Oscope/opthalmoscope Diagnostic Set MOD 95001” [online], retrieved from the Internet: <http://www.amazon.com/Welch-Allyn-opthalmoscope-MOD-95001/dp/BOOORJXUDS/ref=pe_sim_sbs_hpe_1?ie=UTF8&refRID=13090GMJV3SHNBVAQPKS.html> (undated) 2 pages [retrieved Jun. 10, 2014].

“Welch Allyn PocketScope Oscope w/“AA” Handle and Soft Case, 1/Ea, 22821” [online], retrieved from the Internet: <http://www.amazon.com/Welch-Allyn-PocketScope-Oscope-22821/dp/BOOOROJ8UW/ref=pe_sim_hpc_3?ie=UTF8&refRID=13090GMJV3SHNBVAQPKS.html> (undated) 2 pages [retrieved Jun. 10, 2014].

* cited by examiner

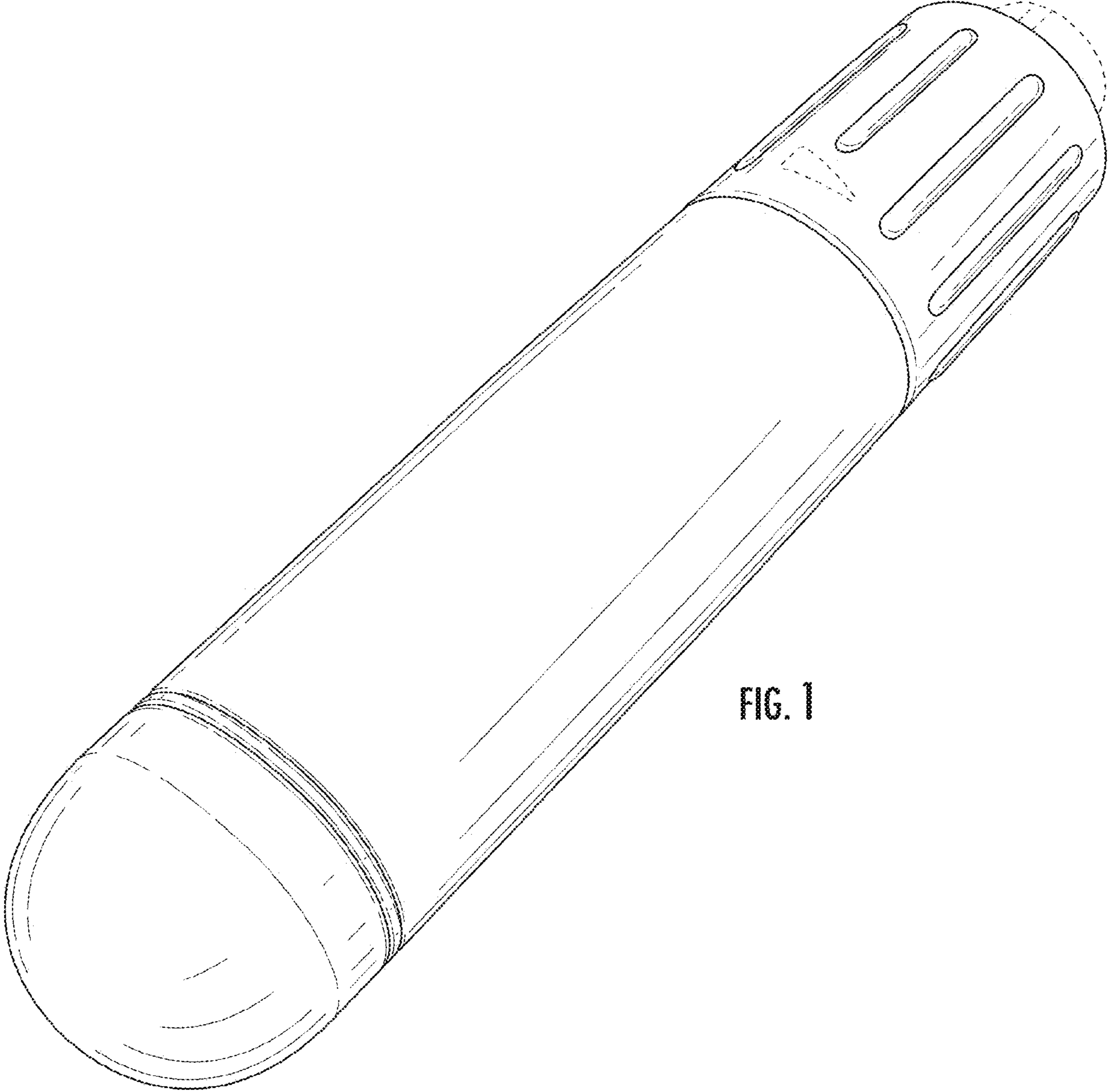


FIG. 1

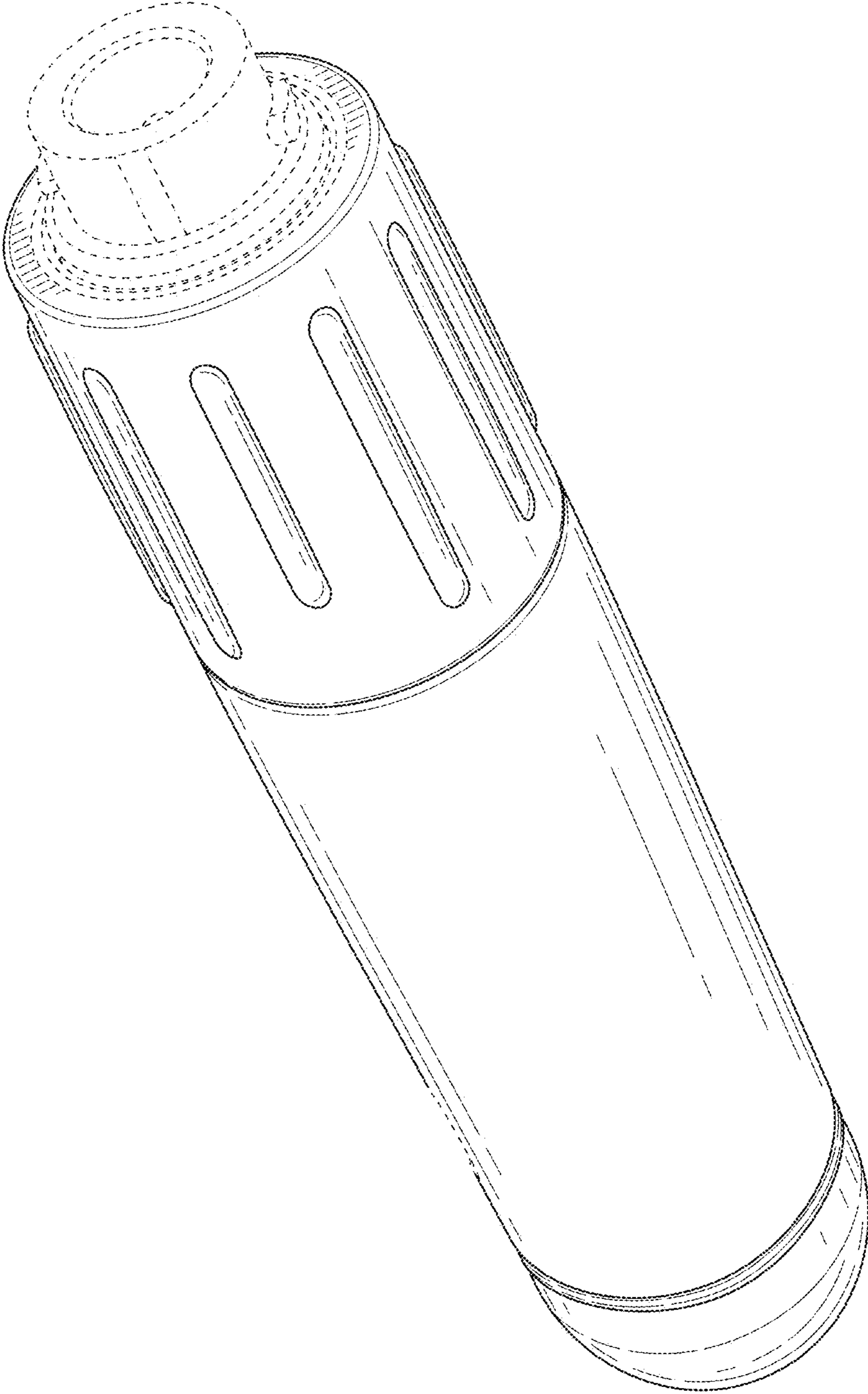


FIG. 2

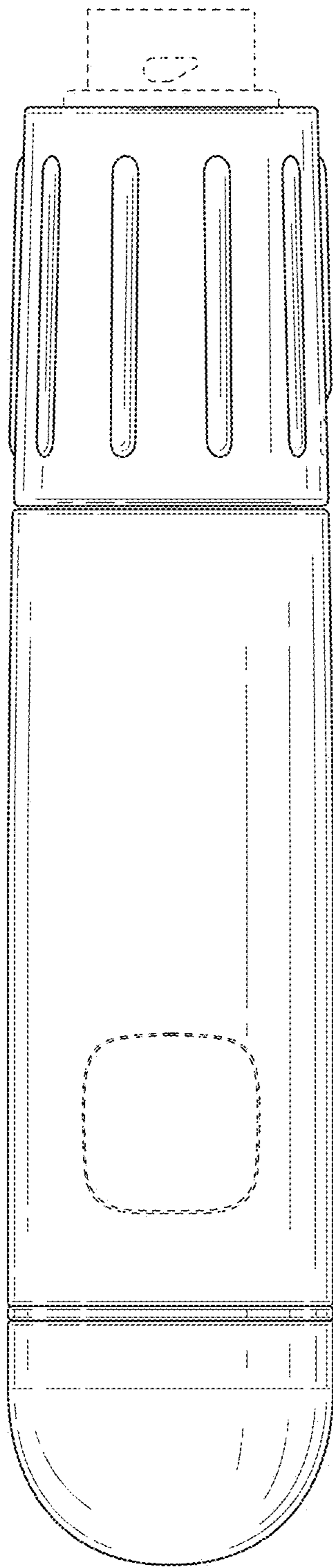


FIG. 3

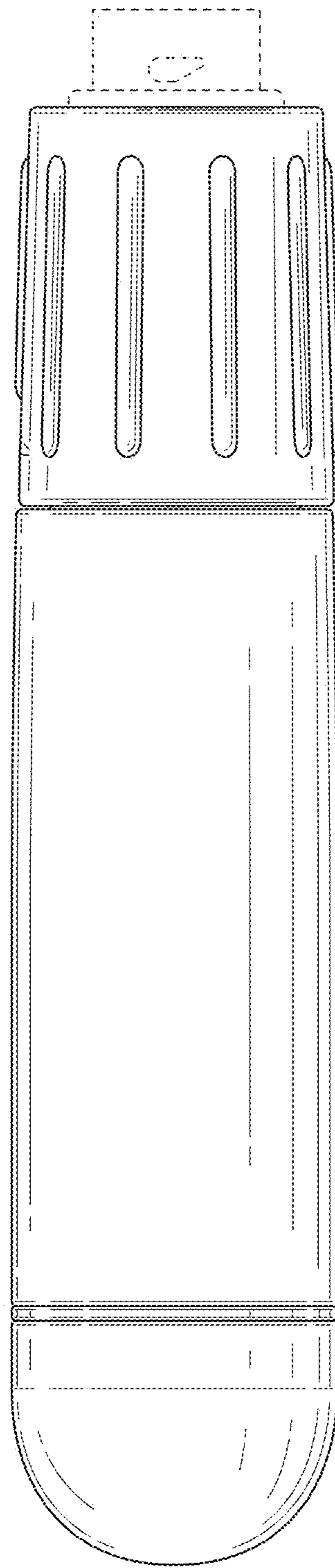


FIG. 4

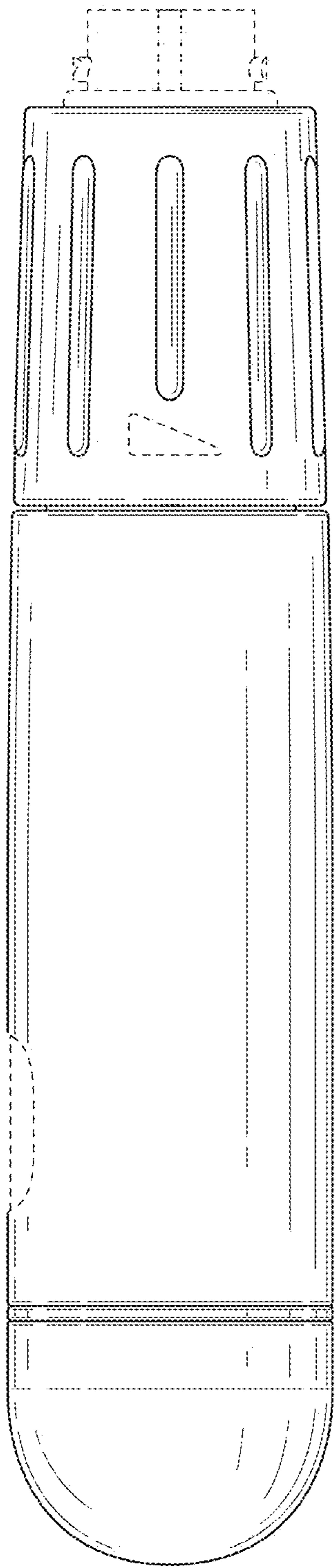


FIG. 5

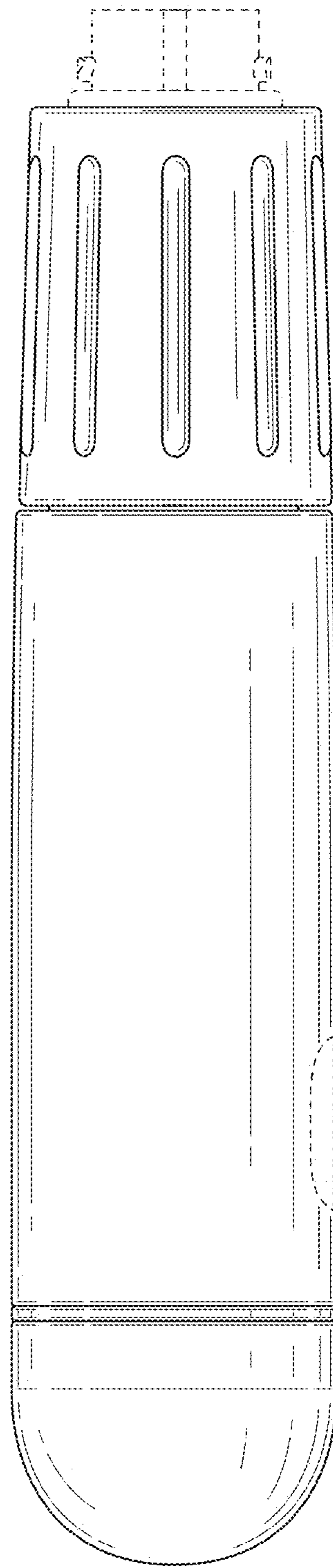


FIG. 6

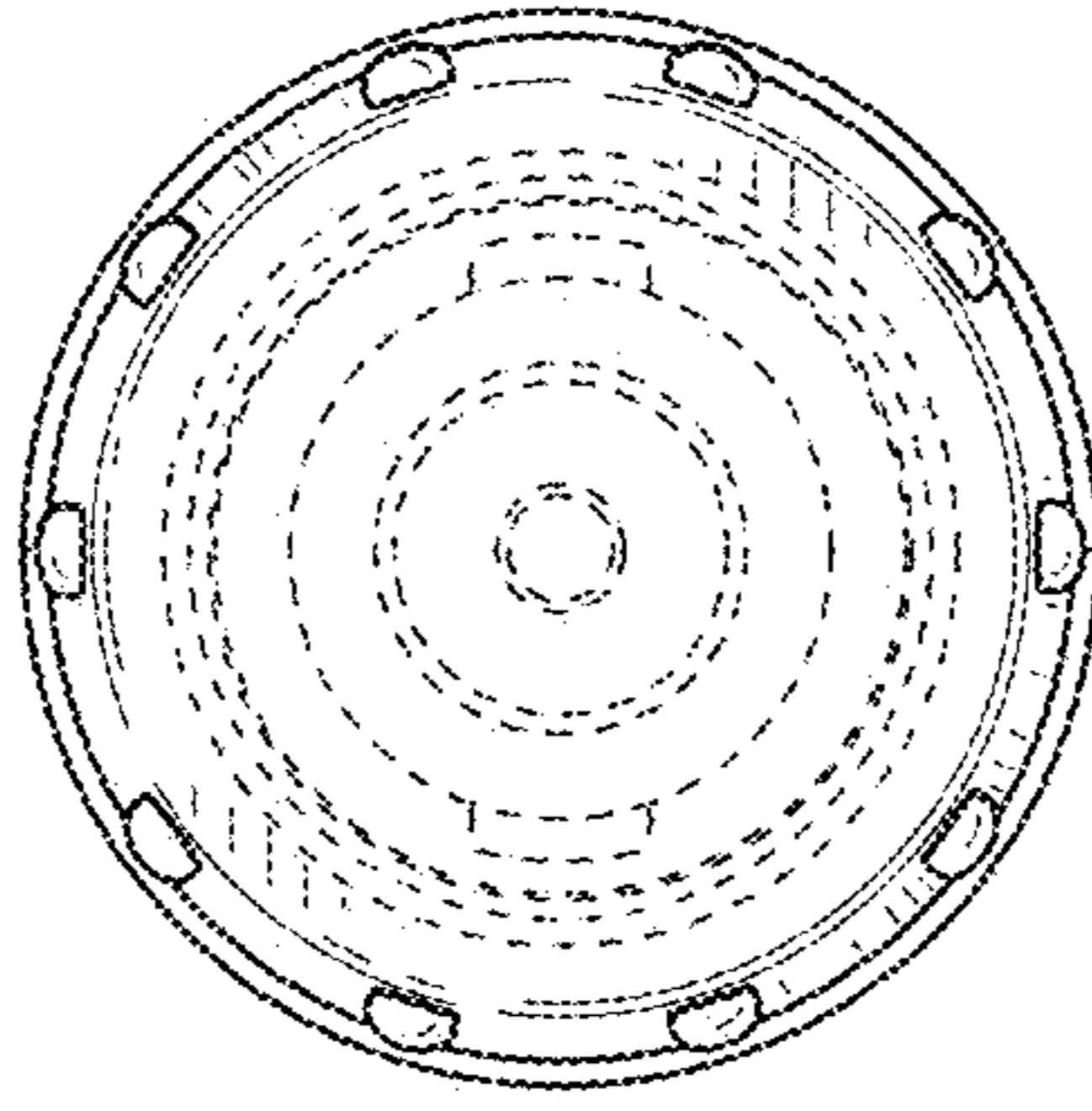


FIG. 7

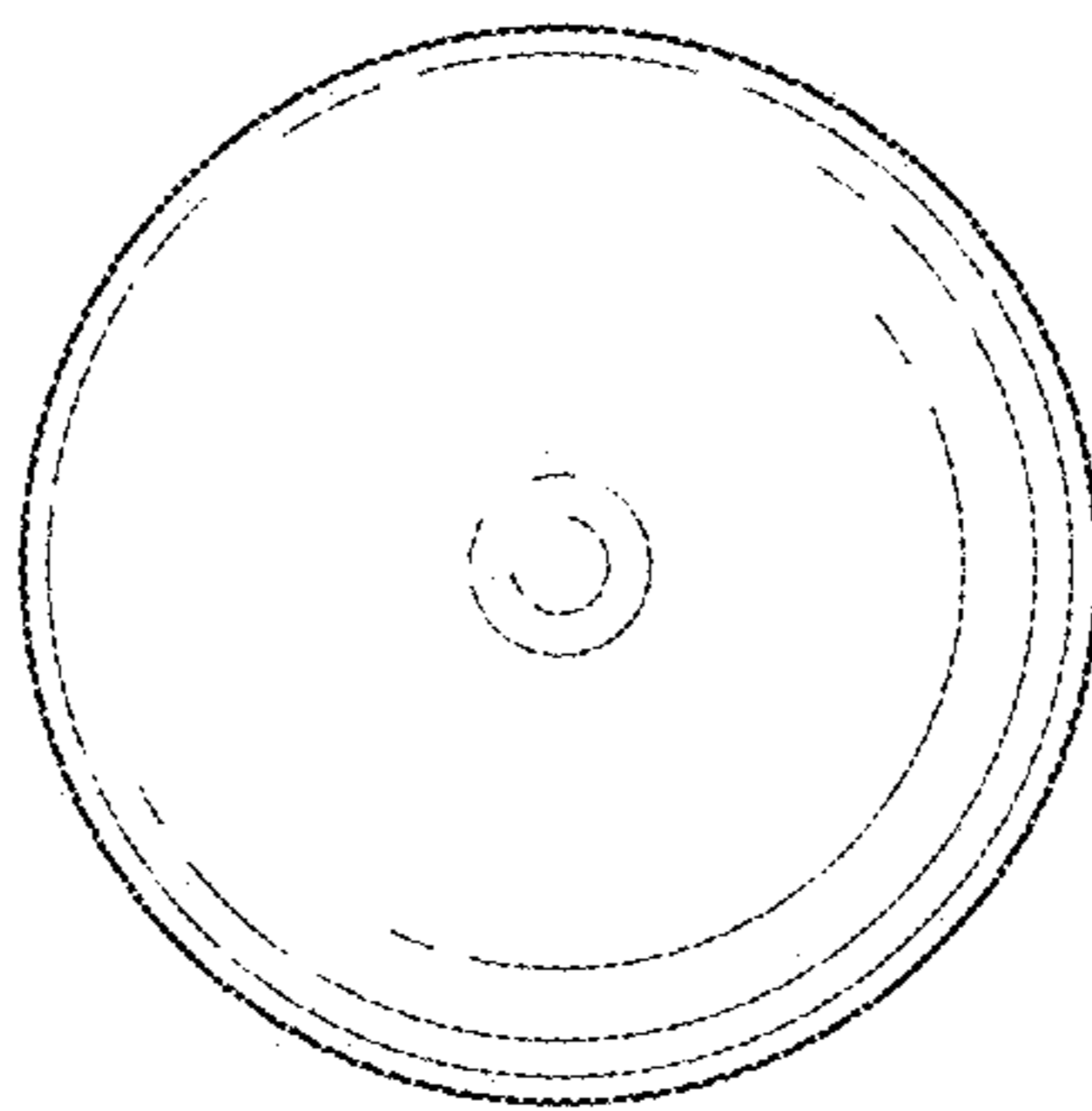


FIG. 8