



US00D897183S

(12) **United States Design Patent**
Hancock

(10) **Patent No.:** **US D897,183 S**

(45) **Date of Patent:** **** Sep. 29, 2020**

(54) **MULTI-PURPOSE TOOL KIT**

(71) Applicant: **Patrick Andrew Hancock**, Rosedale, MD (US)

(72) Inventor: **Patrick Andrew Hancock**, Rosedale, MD (US)

(**) Term: **15 Years**

(21) Appl. No.: **29/624,190**

(22) Filed: **Oct. 30, 2017**

Related U.S. Application Data

(63) Continuation of application No. 15/570,063, filed as application No. PCT/US2016/029830 on Apr. 28, 2016, which is a continuation of application No. 14/698,991, filed on Apr. 29, 2015, now Pat. No. 9,304,496.

(51) **LOC (12) Cl.** **08-05**

(52) **U.S. Cl.**
USPC **D8/105**

(58) **Field of Classification Search**
USPC D8/105, 4, 16-20, 26, 34, 51, 52, 55, 81, D8/98, 99, 107
CPC B26B 5/00; B25F 1/00; F16M 13/00
See application file for complete search history.

(56) **References Cited**

U.S. PATENT DOCUMENTS

4,744,272 A	5/1988	Leatherman	
5,697,114 A	12/1997	McIntosh et al.	
5,838,639 A *	11/1998	Hwang	G04B 47/00 368/10
D410,833 S	6/1999	Hasegawa	
D421,559 S	3/2000	Hollinger	
6,079,872 A *	6/2000	Besson	G04B 37/127 368/10
6,094,403 A *	7/2000	Tran	G01B 3/1084 33/760
D440,141 S *	4/2001	Yeh	D8/105
D458,823 S *	6/2002	Yeh	D8/105

(Continued)

OTHER PUBLICATIONS

Website printed Oct. 25, 2017. Sheffield brand 10-in-1 multi-tool available at https://mobile distributors supply.com/10-in-1-mini-led-folding-multi-tool.html?gclid=EAIaIQobChMIoobAlpeH1wIVV7nACh0IJgMbEAQYAiABEgJ0APD_BwE#.

(Continued)

Primary Examiner — Janice Hallmark

(74) *Attorney, Agent, or Firm* — Larry J. Guffey, Esq.; Oliver & Grimsley, LLC

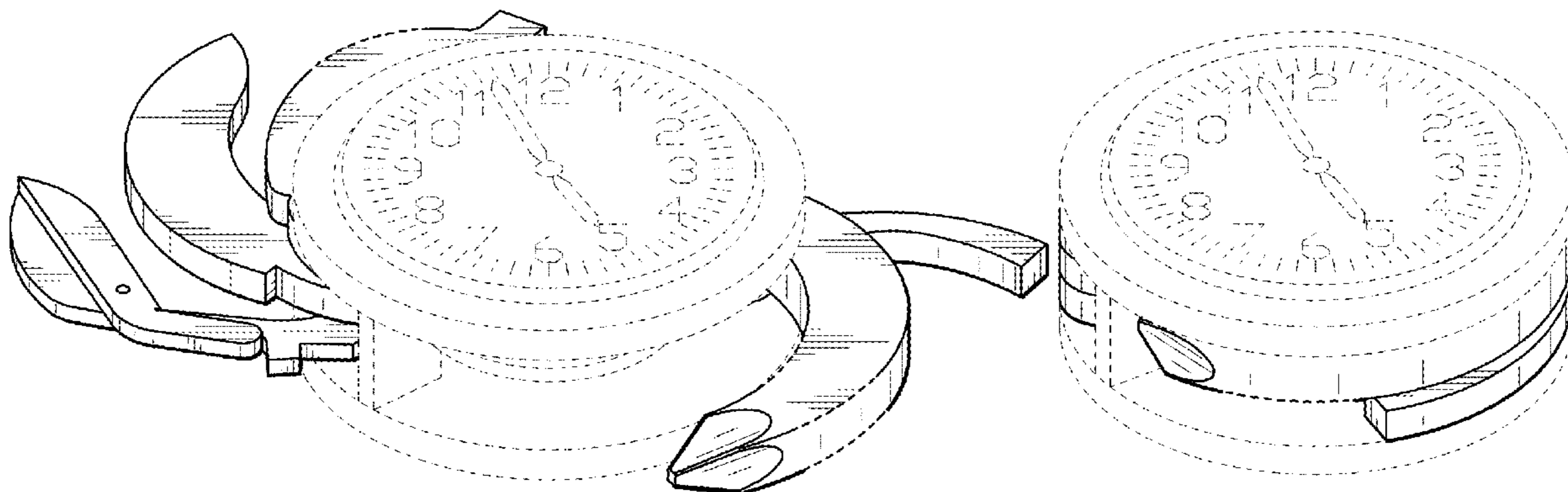
(57) **CLAIM**

The ornamental design for a multi-purpose tool kit, as shown and described.

DESCRIPTION

FIG. 1 is a perspective view of a multi-purpose tool kit showing my new design in an open position of use; FIG. 2 is a top plan view thereof; FIG. 3 is a bottom plan view thereof; FIG. 4 is a left side elevational view thereof; FIG. 5 is a right side elevational view thereof; FIG. 6 is a front plan view thereof; FIG. 7 is a rear plan view thereof; FIG. 8 is a perspective view of the multi-purpose tool kit of FIG. 1 in a closed position of use; FIG. 9 is a top plan view thereof; FIG. 10 is a bottom plan view thereof; FIG. 11 is a left side elevational view thereof; FIG. 12 is a right side elevational view thereof; FIG. 13 is a front plan view thereof; and, FIG. 14 is a rear plan view thereof. The broken lines shown in the drawings are included for the purpose of illustrating unclaimed portions of the multi-purpose tool kit and form no part of the claimed design.

1 Claim, 14 Drawing Sheets



(56)

References Cited

U.S. PATENT DOCUMENTS

6,412,130 B1 7/2002 Kershaw et al.
 6,578,221 B2 6/2003 Ping
 6,718,585 B2 4/2004 McIntosh
 D494,438 S 8/2004 Falkenstein
 6,781,921 B2 * 8/2004 Markart G04G 21/02
 368/10
 7,360,267 B2 4/2008 Quenzi
 D577,980 S 10/2008 Mihaelson
 7,447,118 B1 * 11/2008 Matos G04B 37/0033
 368/10
 D682,066 S * 5/2013 Berkowitz D8/105
 8,490,523 B2 7/2013 Tsai et al.
 D711,720 S 8/2014 Vanderbeek
 D713,233 S 9/2014 Rubin
 9,304,496 B1 * 4/2016 Hancock B25F 1/04
 D755,603 S 5/2016 Reedy et al.
 D774,869 S 12/2016 Royes et al.
 D785,421 S 5/2017 Park
 9,669,532 B1 6/2017 Mayer
 D799,298 S * 10/2017 Suhami D8/105

D799,299 S 10/2017 Suhami
 D799,300 S 10/2017 Chang
 2004/0016058 A1 * 1/2004 Gardiner B25F 1/04
 7/119

OTHER PUBLICATIONS

Website printed Oct. 25, 2017. Topeak Alien branded Multi-tool available at <https://www.amazon.com/Topeak-Alien-III-Multi-Tool/dp/B0762GKC75>.
 Website printed Oct. 25, 2017. Mini Repair Pocket Folding Tool available at <https://www.dhgate.com/store/product/mini-repair-pocket-folding-tool-11-in-1-bicycle/376184041.html>.
 Website printed Oct. 25, 2017. Mini Folding multi-tool Keychain available at <https://www.aliexpress.com/item/Mini-Folding-Plier-Portable-EDC-Emergency-Outdoor-Hand-Tools-Screwdriver-Knife-Pliers-Saw-Survival-Keychain-Multifunction/32823685026.html>.
 Website printed Oct. 25, 2017. Multitools described at <https://gearpatrol.com/2015/09/11/best-mini-multi-tools/>.
 Website printed Oct. 25, 2017 “5 in 1 pliers” available at <https://www.aliexpress.com/i/32612500929.html>.
 Website printed Oct. 25, 2017 “Multi Pocket Mini Folding Pliers” available at <https://aliexpress.com/item/32767497893.html>.

* cited by examiner

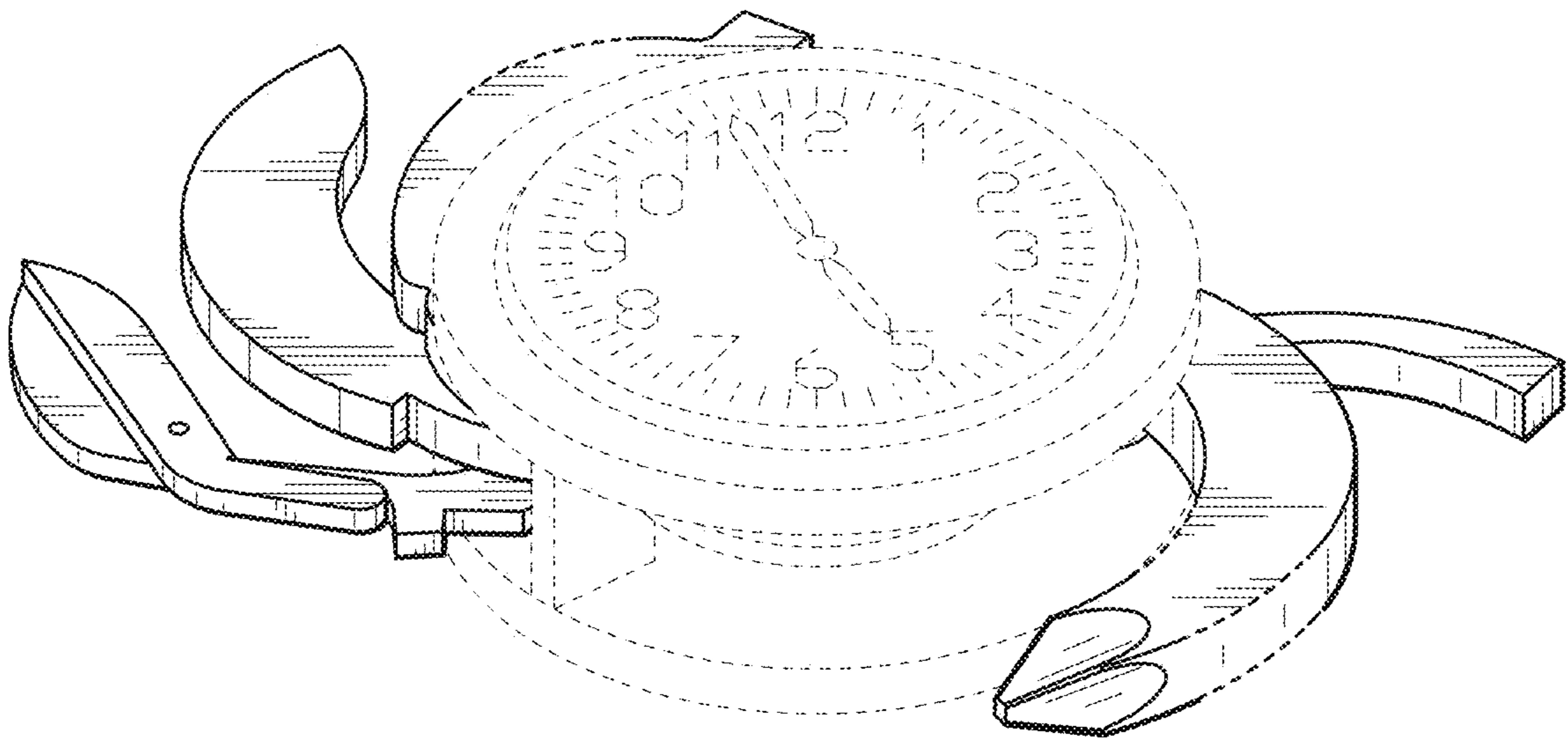


FIG. 1

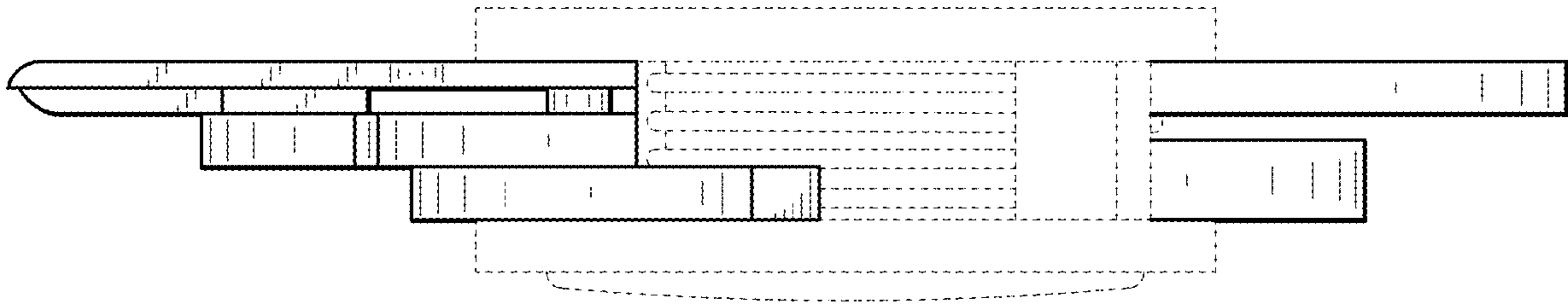


FIG. 2

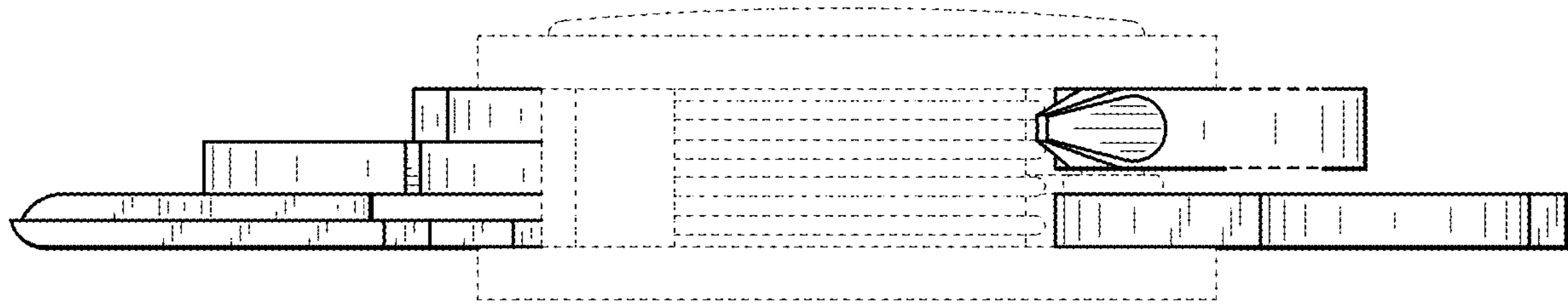


FIG. 3

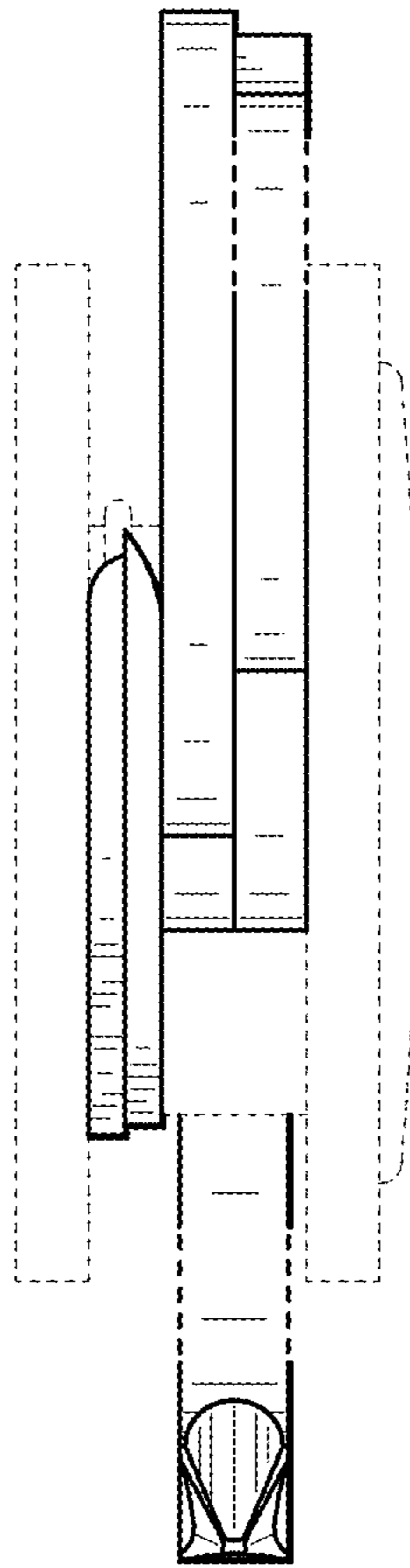


FIG. 4

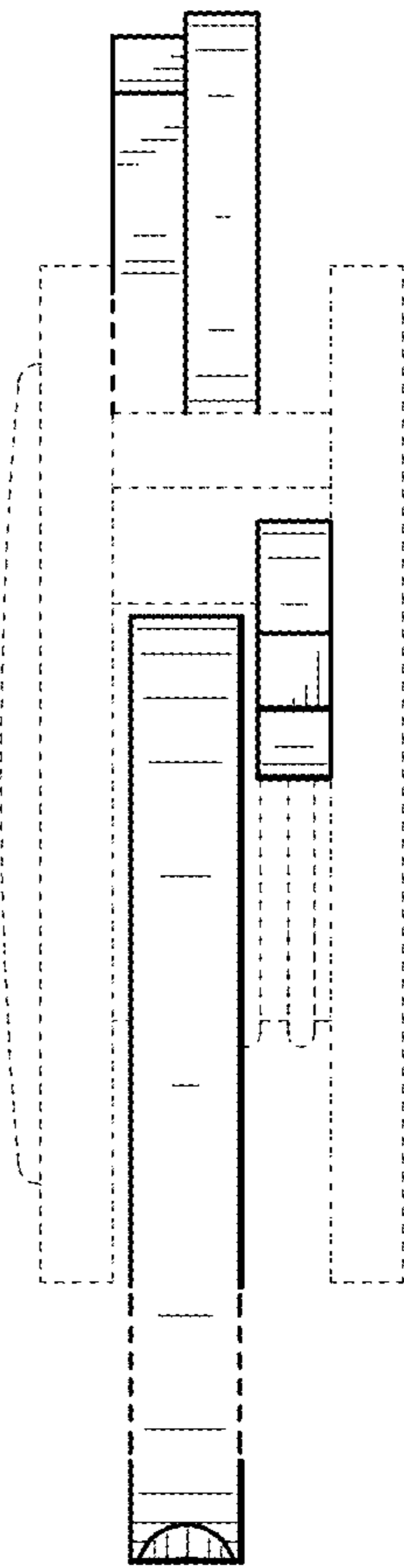


FIG. 5

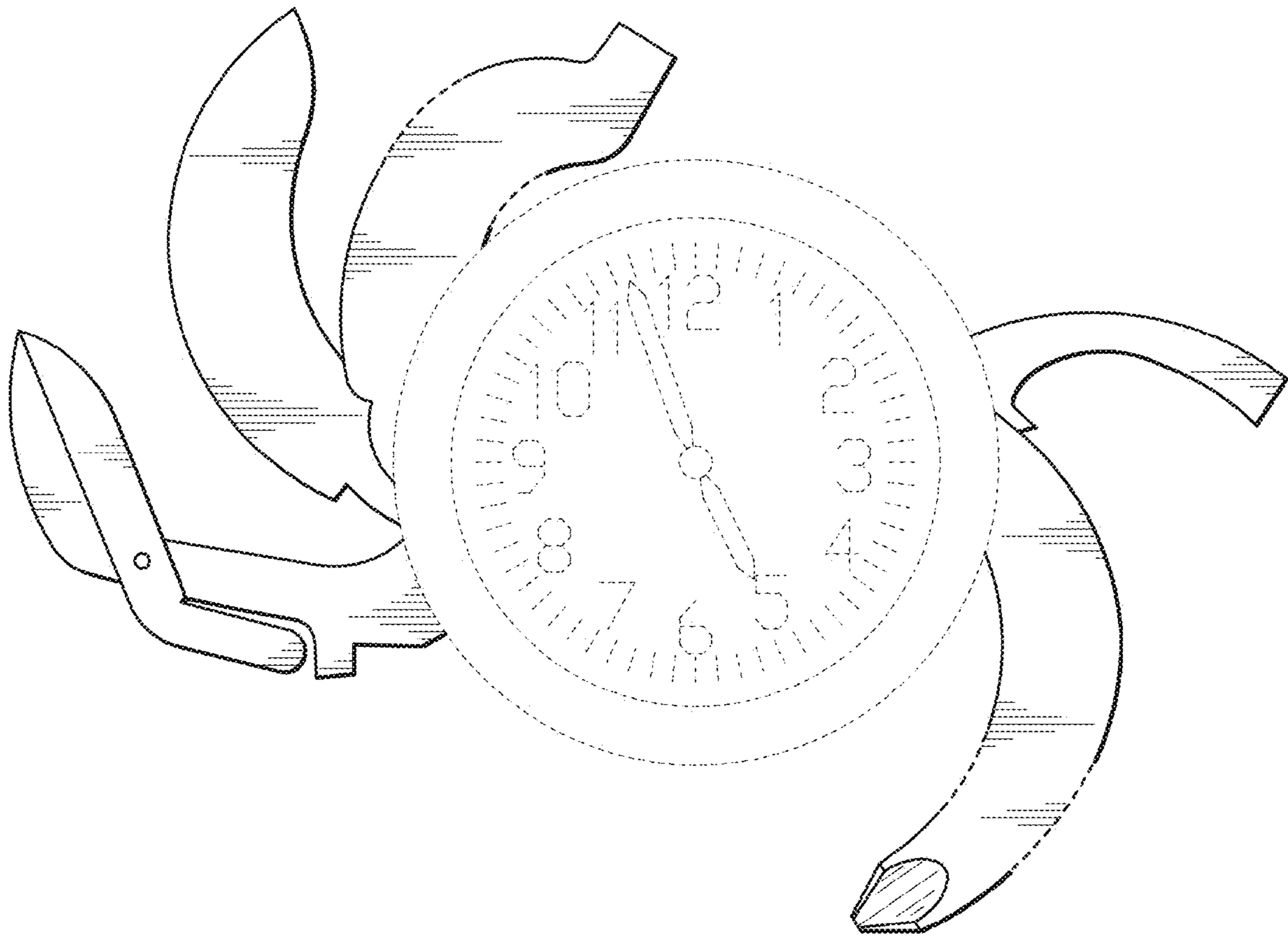


FIG. 6

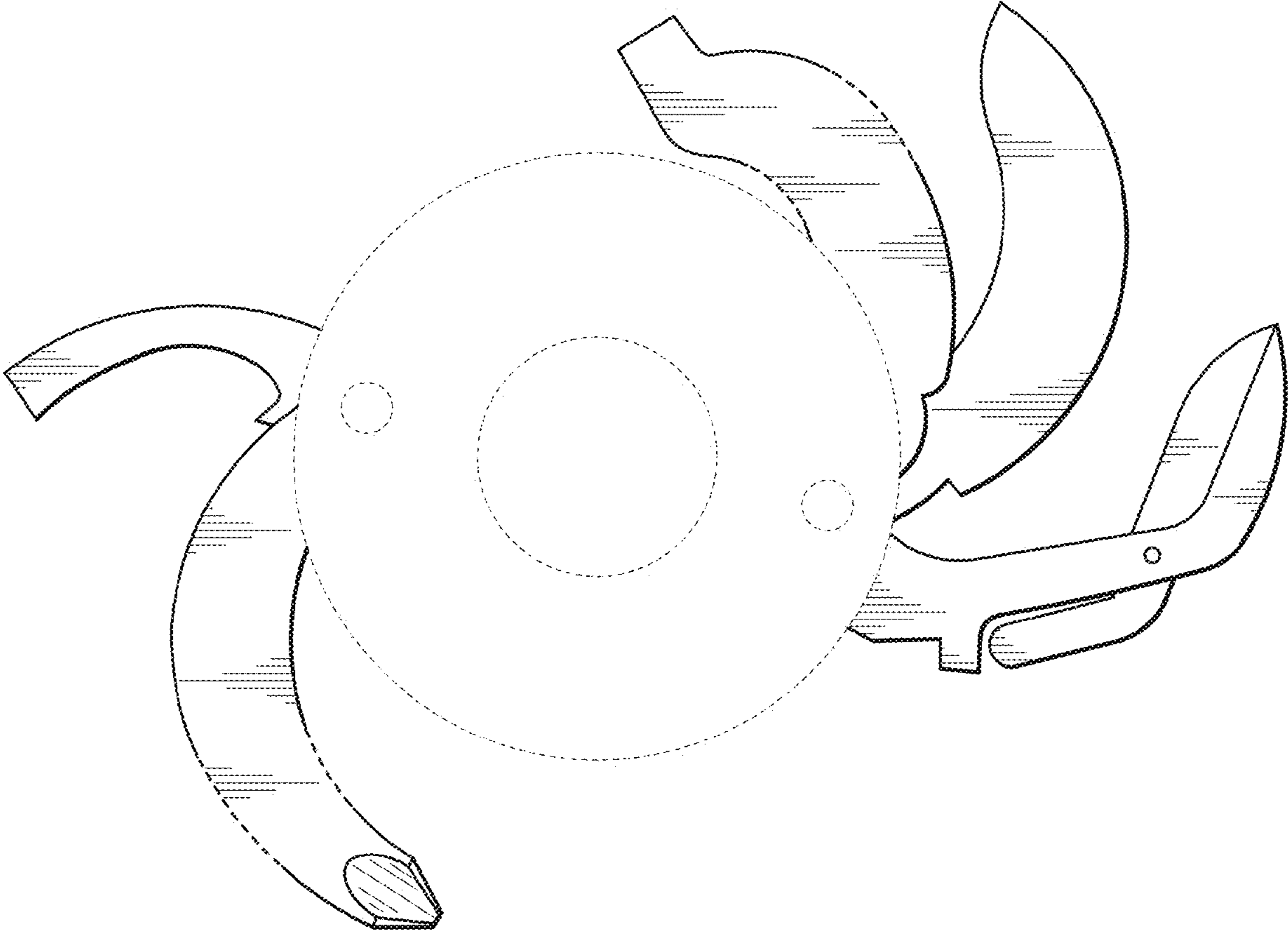


FIG. 7

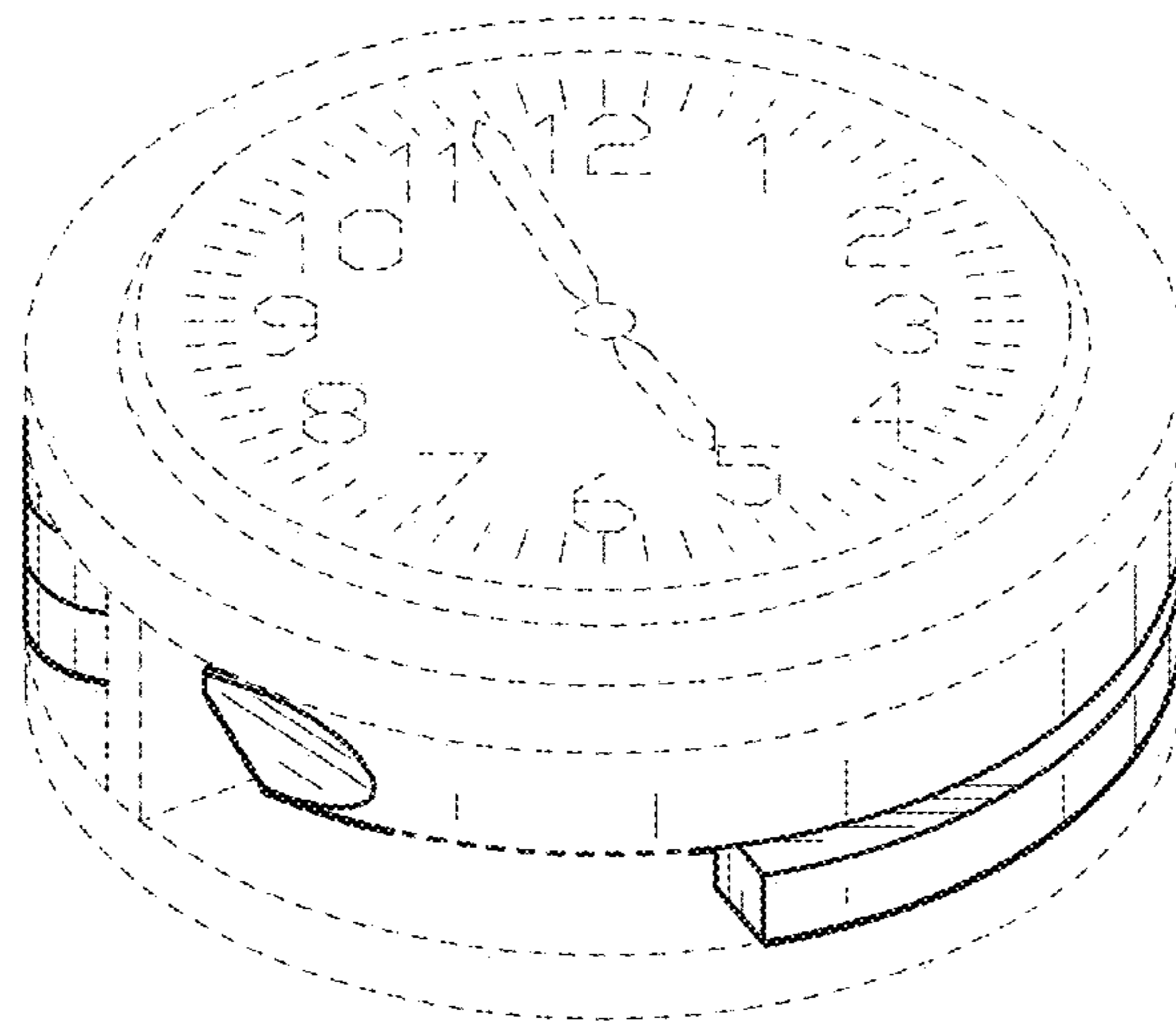


FIG. 8

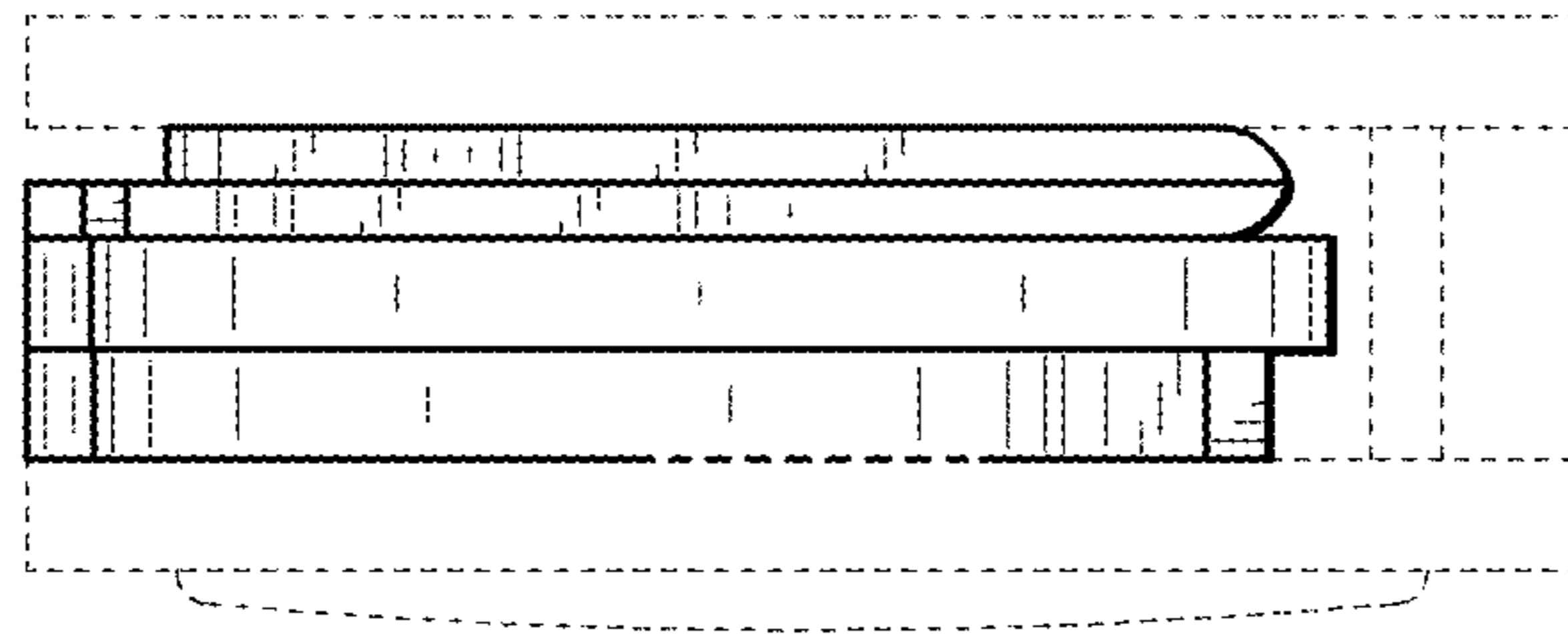


FIG. 9

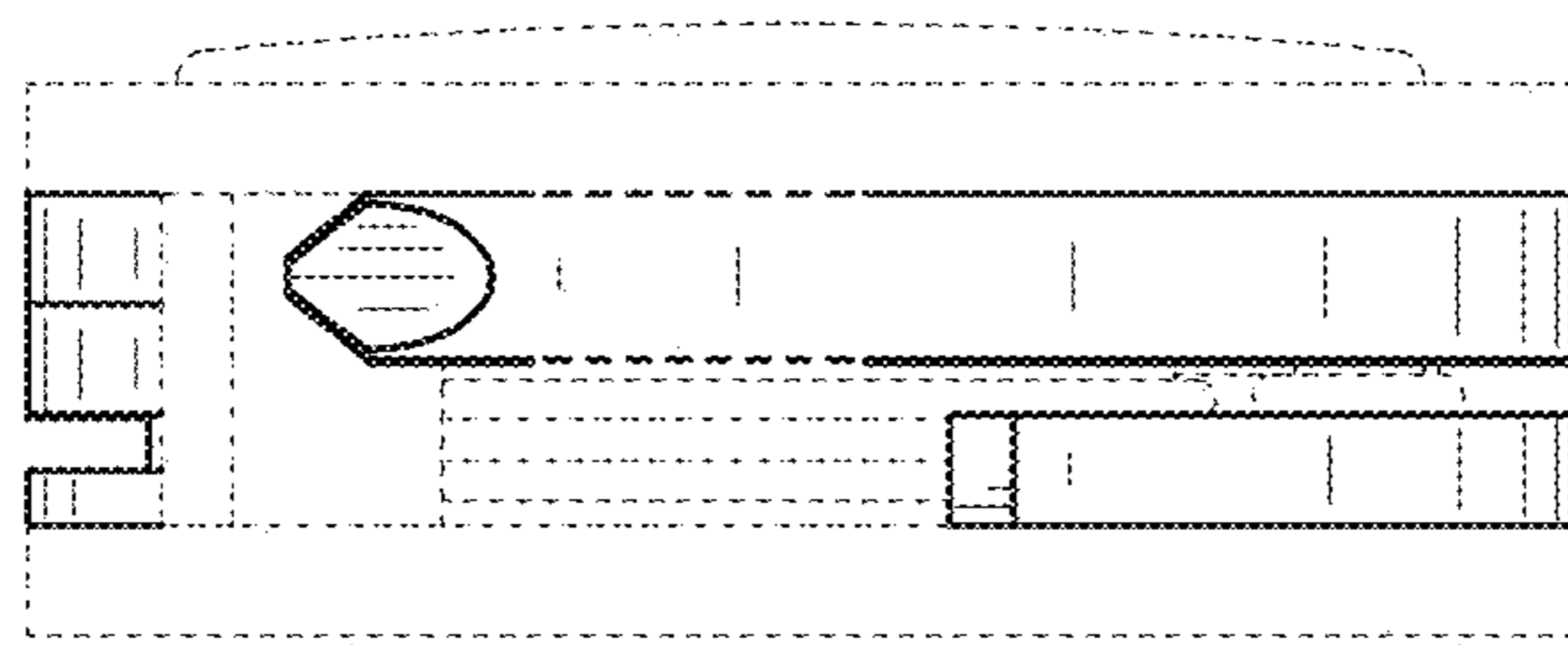


FIG. 10

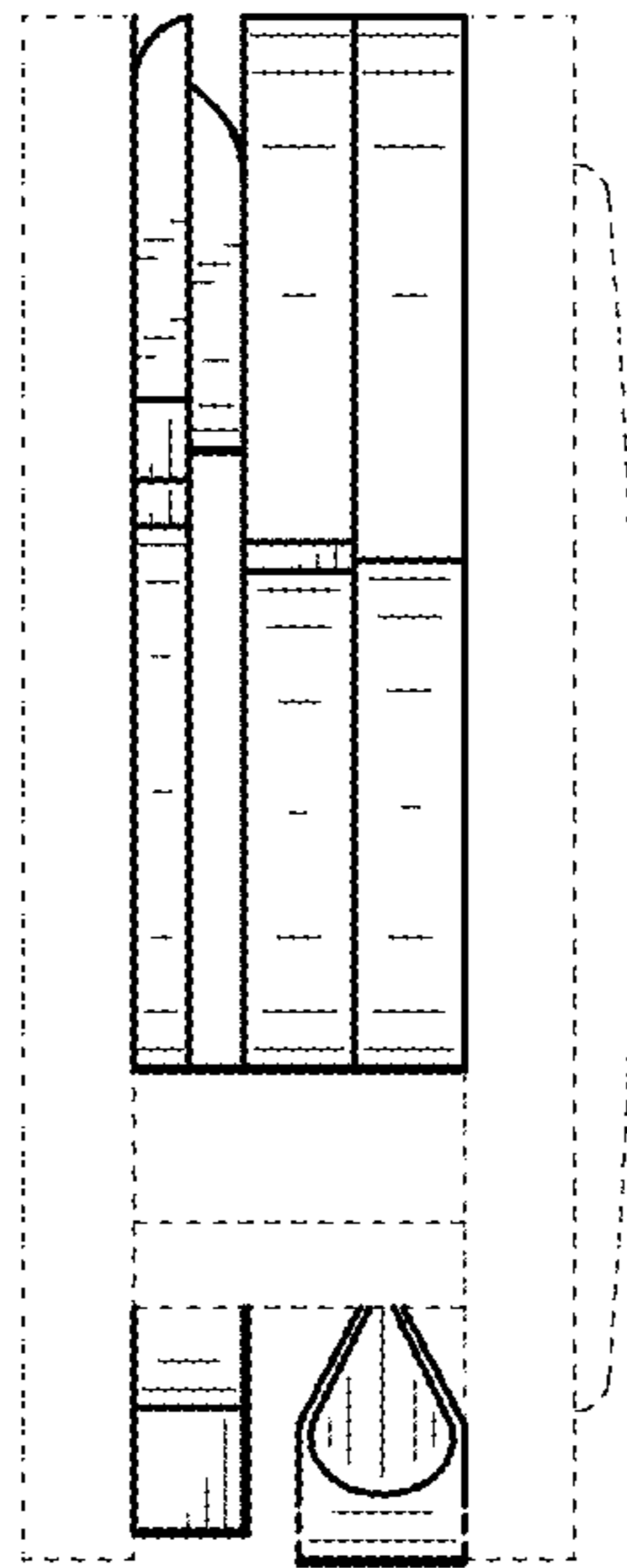


FIG. 11

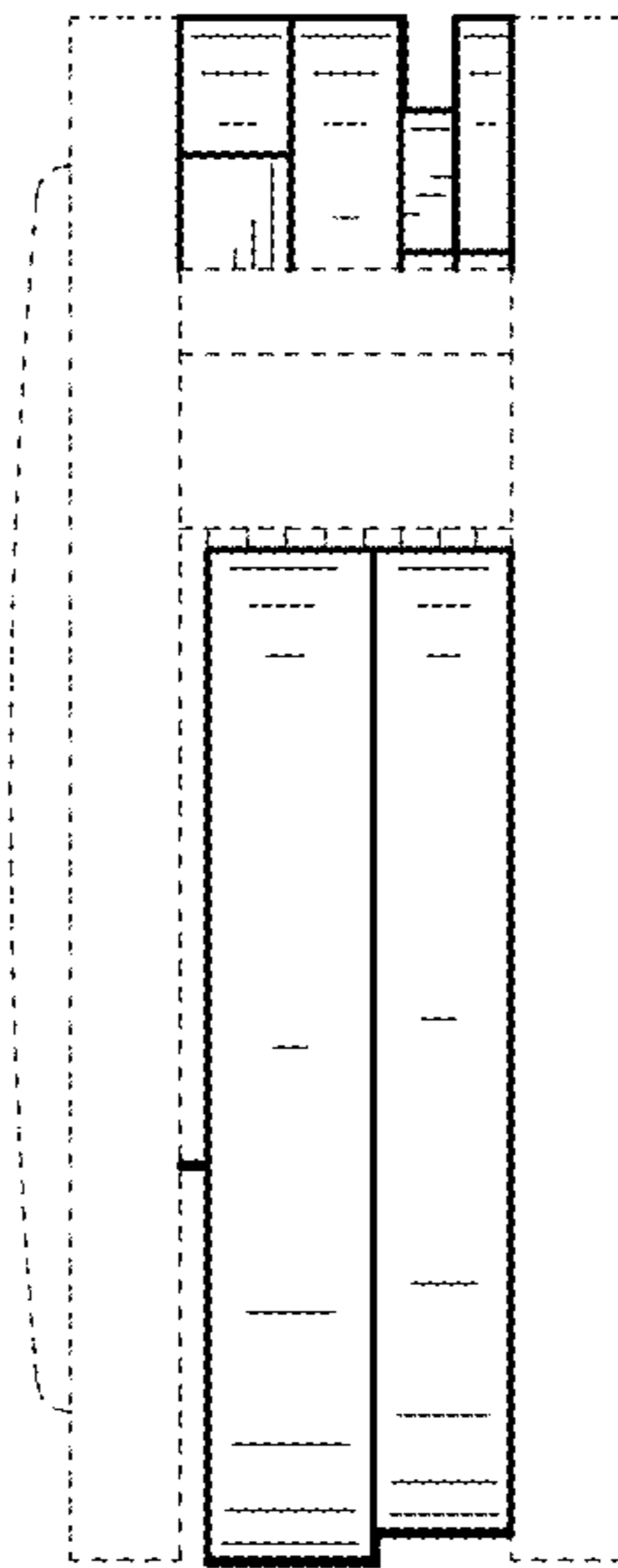


FIG. 12

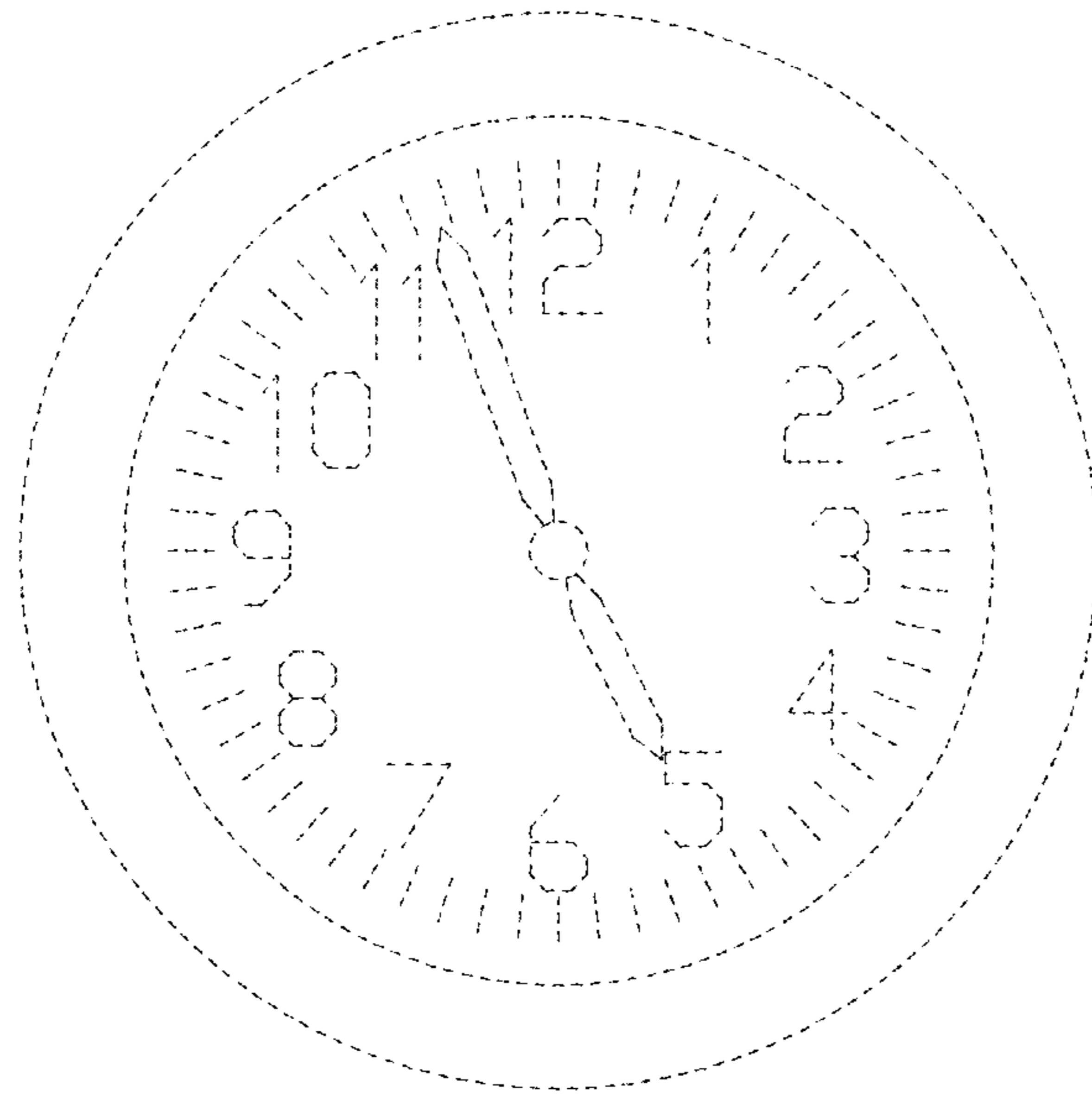


FIG. 13

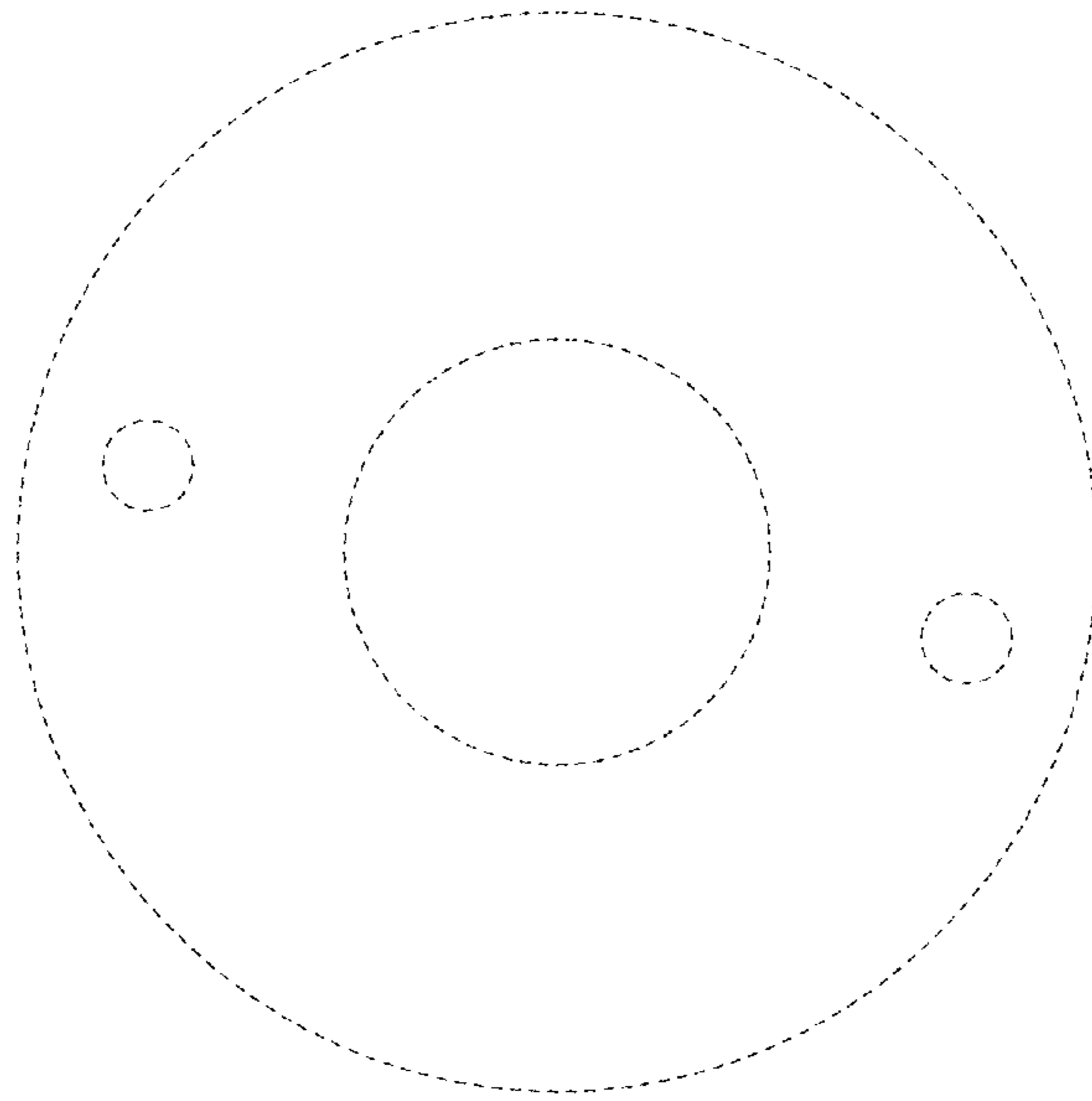


FIG. 14