



US00D897181S

(12) **United States Design Patent**
Johnson et al.

(10) **Patent No.:** **US D897,181 S**

(45) **Date of Patent:** **** Sep. 29, 2020**

(54) **SCREWDRIVER**

OTHER PUBLICATIONS

(71) Applicant: **Harbor Freight Tools USA, Inc.**,
Calabasas, CA (US)

Harbor Freight Icon Screwdriver set. Reviews from 2020.*

* cited by examiner

(72) Inventors: **Douglas Johnson**, Thousand Oaks, CA
(US); **Eric Sun**, Shanghai (CN); **Jason
Shen**, Shanghai (CN)

Primary Examiner — Philip S Hyder

(74) *Attorney, Agent, or Firm* — McAndrews Held &
Malloy, Ltd.

(73) Assignee: **Harbor Freight Tools USA, INC.**,
Calabasas, CA (US)

(57) **CLAIM**

The ornamental design for a screwdriver, as shown and
described.

(**) Term: **15 Years**

DESCRIPTION

(21) Appl. No.: **29/680,955**

(22) Filed: **Feb. 21, 2019**

(51) **LOC (12) Cl.** **08-04**

(52) **U.S. Cl.**
USPC **D8/83**

(58) **Field of Classification Search**
USPC D8/14, 21, 82, 83, 84, 85, 107; D24/133,
D24/146; D7/395; D32/49
CPC A47J 43/26; B25B 13/463; B25B 13/468;
B25B 15/04; B25G 1/005; B25G 1/085
See application file for complete search history.

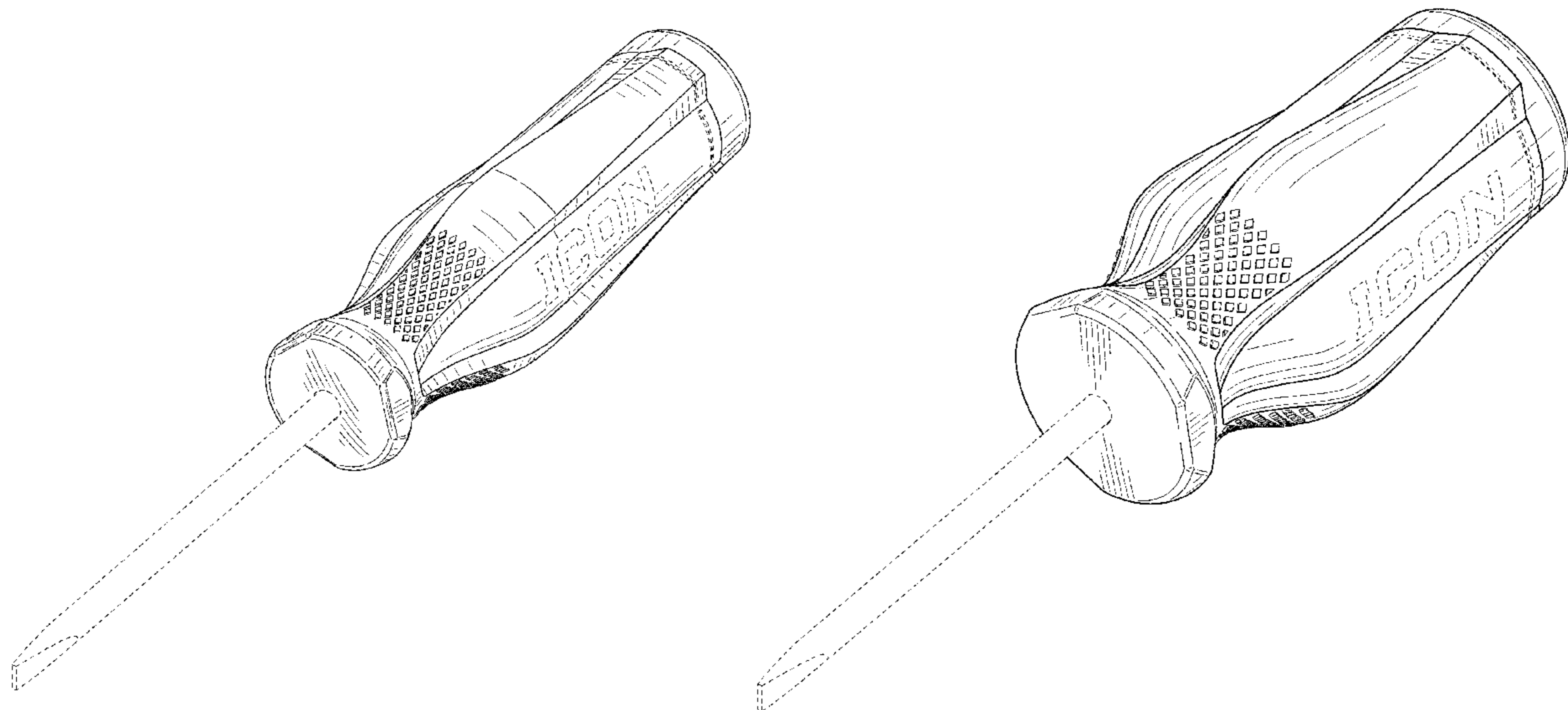
FIG. 1 is a top-front perspective view of a screwdriver
showing our new design according to a first embodiment;
FIG. 2 is a right side elevation view thereof;
FIG. 3 is a left side elevation thereof;
FIG. 4 is a front elevation view thereof;
FIG. 5 is a rear elevation view thereof;
FIG. 6 is a top plan view thereof;
FIG. 7 is a bottom plan view thereof;
FIG. 8 is a bottom-rear perspective view thereof;
FIG. 9 is a top-front perspective view of a screwdriver
showing our new design according to a second embodiment;
FIG. 10 is a right side elevation view thereof;
FIG. 11 is a left side elevation thereof;
FIG. 12 is a rear elevation view thereof;
FIG. 13 is a front side elevation view thereof;
FIG. 14 is a top plan view thereof;
FIG. 15 is a bottom plan view thereof; and,
FIG. 16 is a bottom-rear perspective view thereof.
The dashed broken lines in the figures illustrate portions of
the screwdriver that form no part of the claimed design.

(56) **References Cited**

U.S. PATENT DOCUMENTS

D401,491 S *	11/1998	Shiao	D8/83
D525,850 S *	8/2006	Huang	D8/83
D531,005 S *	10/2006	Chang	D8/107
D572,105 S *	7/2008	Brockman	D8/83
D620,338 S *	7/2010	Huang	D8/83
D645,717 S *	9/2011	Ou	D8/83
D859,119 S *	9/2019	Hyma	D8/83
2019/0366529 A1 *	12/2019	Chernik	B25B 23/1427

1 Claim, 10 Drawing Sheets



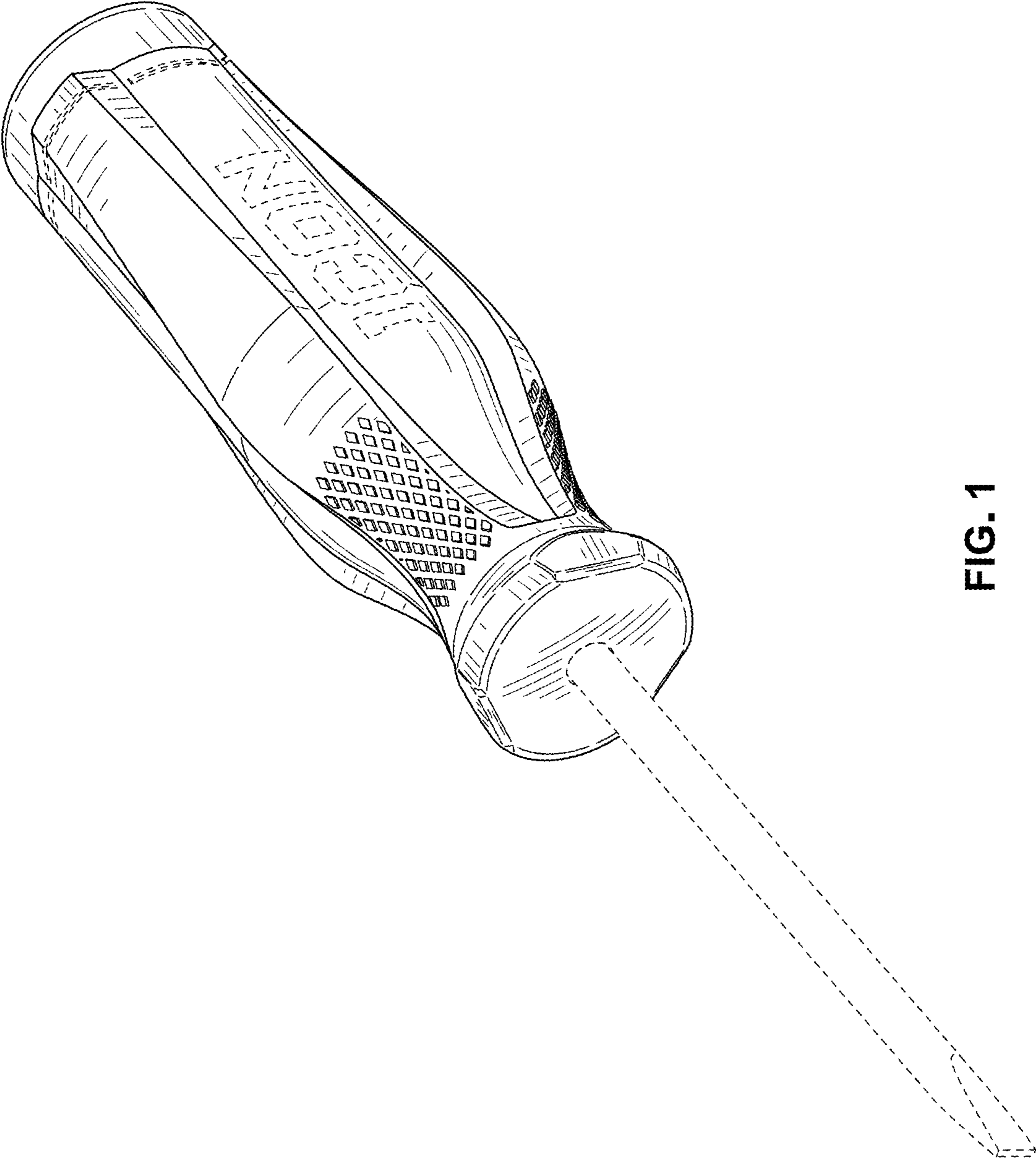


FIG. 1

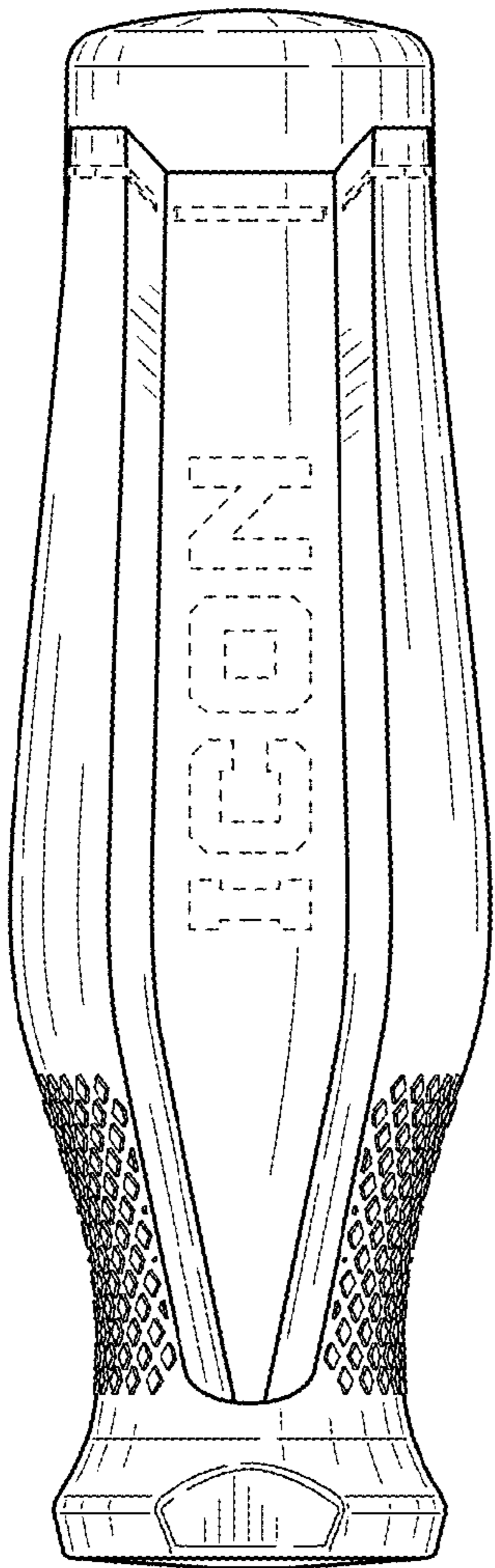


FIG. 2

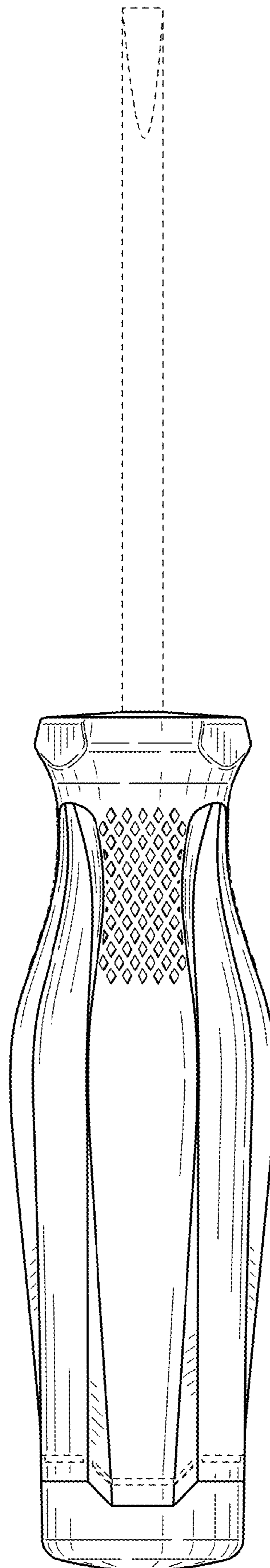


FIG. 3

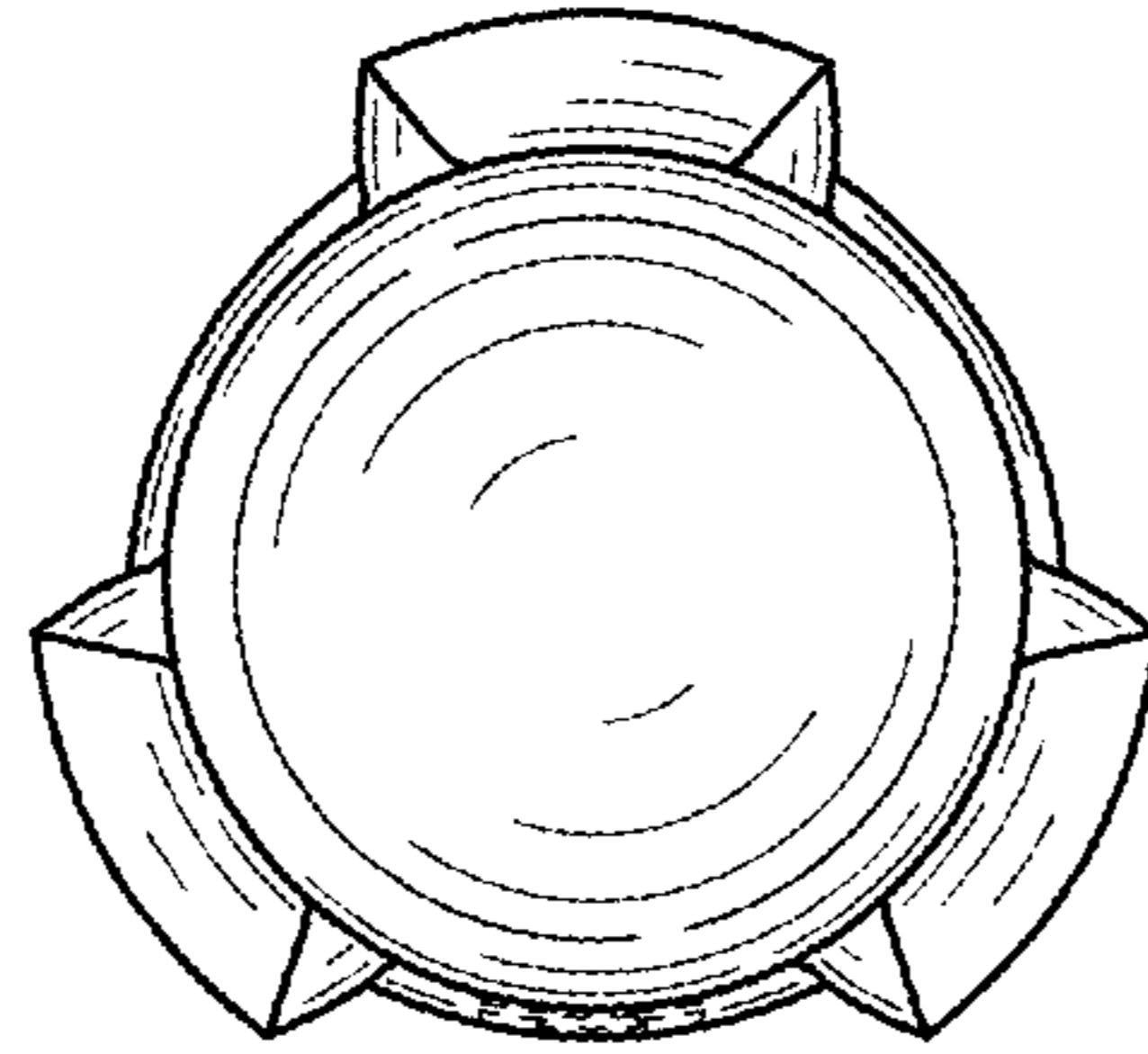


FIG. 5

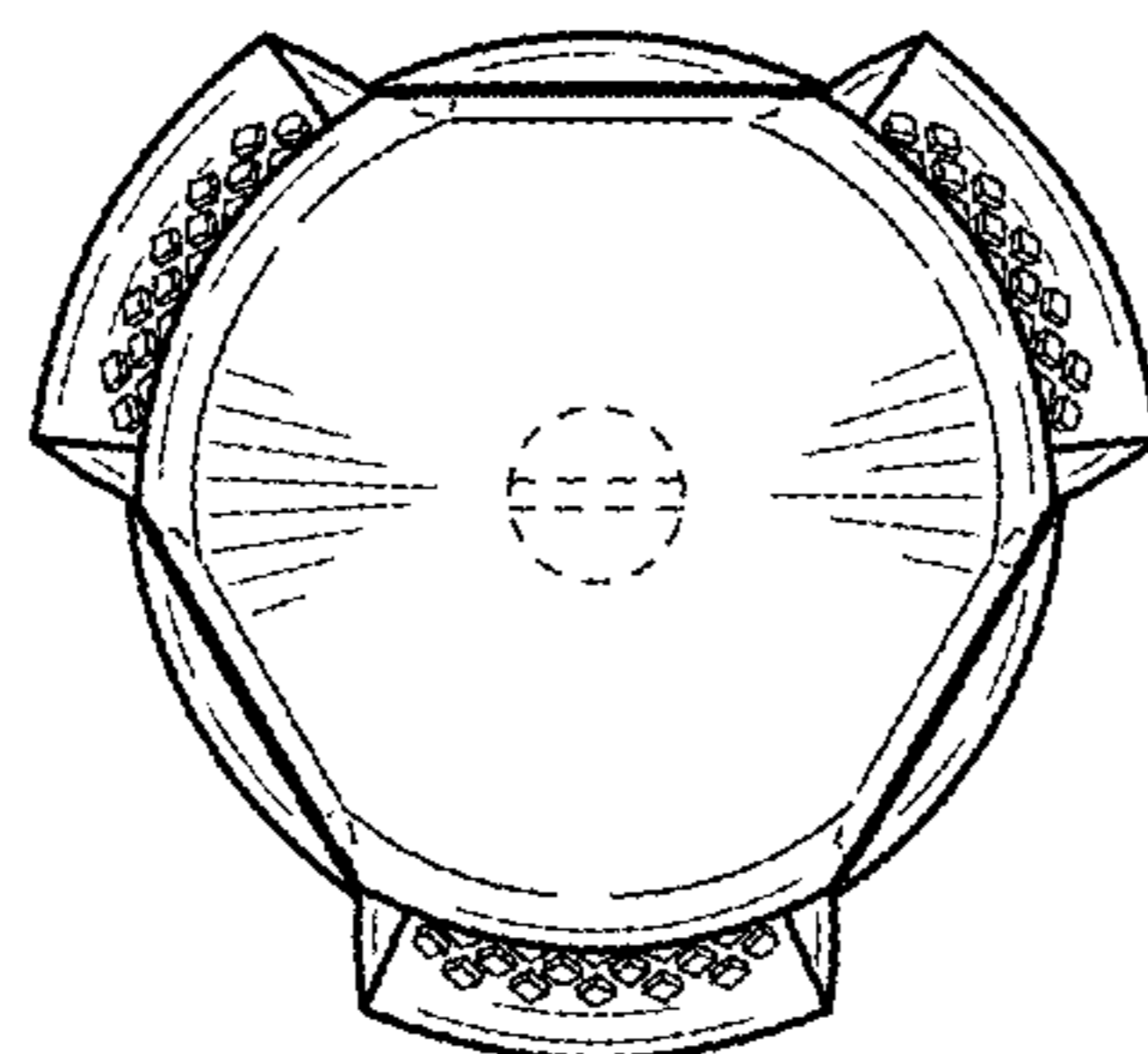


FIG. 4

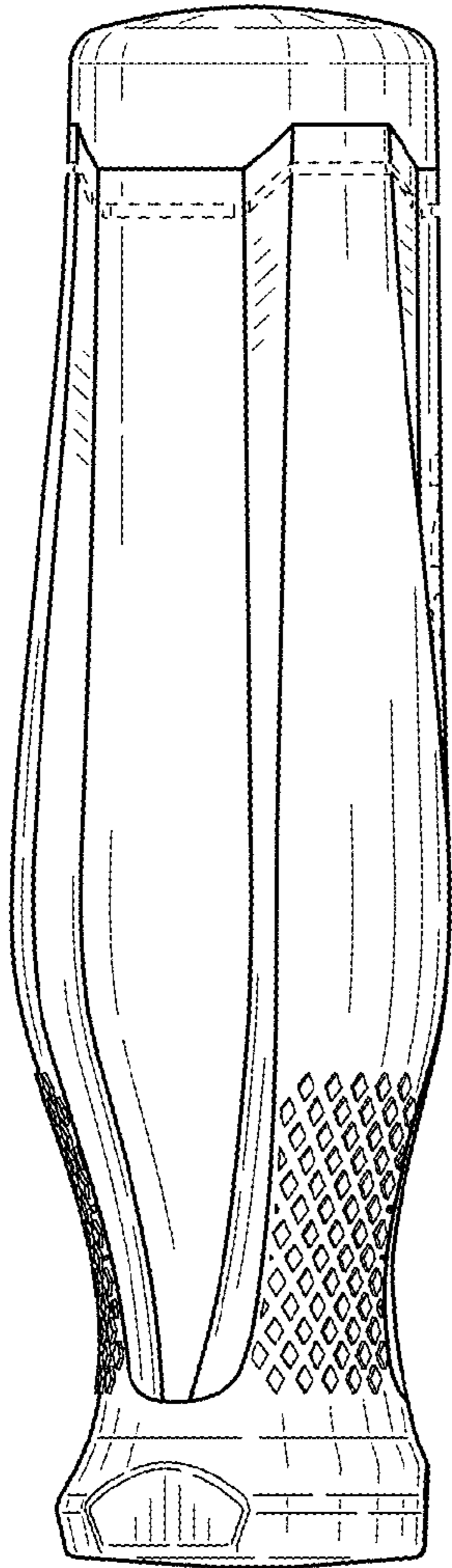


FIG. 6

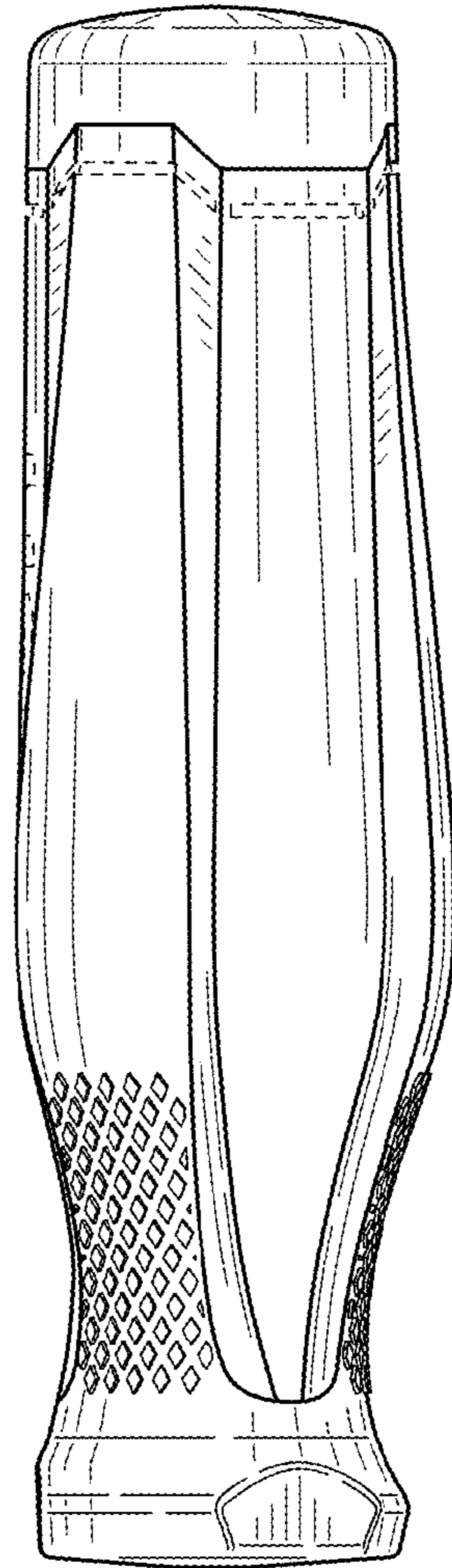


FIG. 7

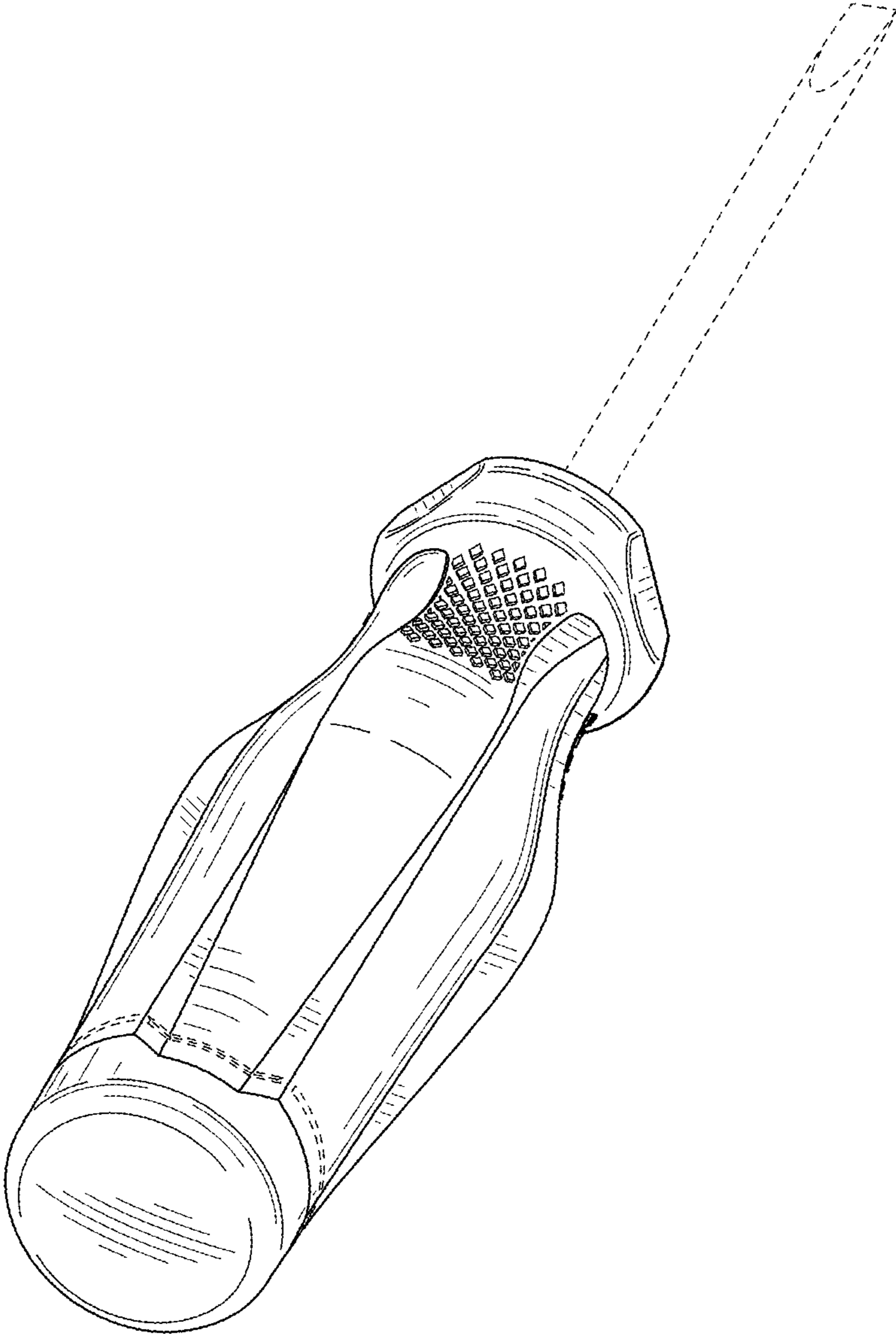


FIG. 8

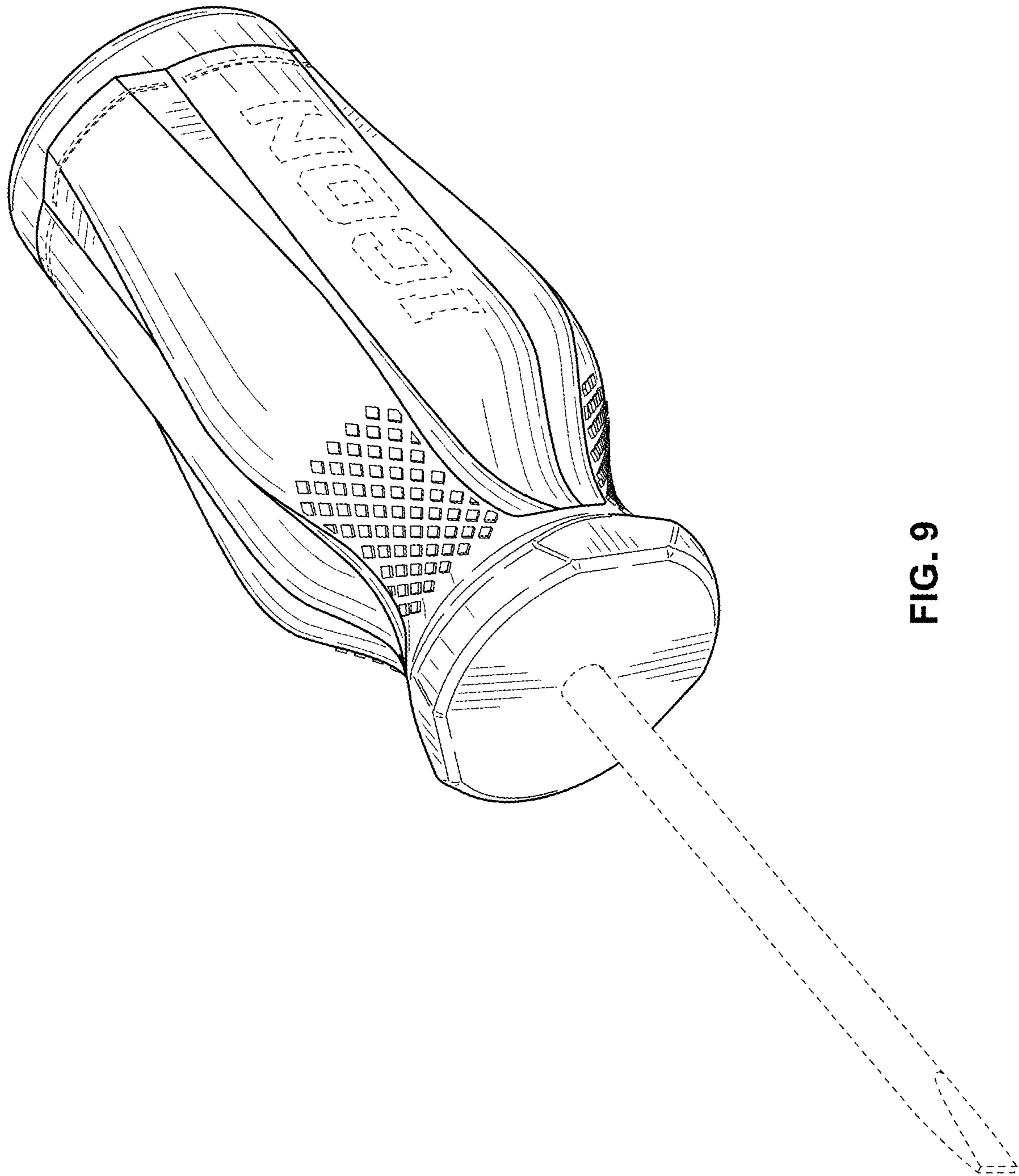


FIG. 9

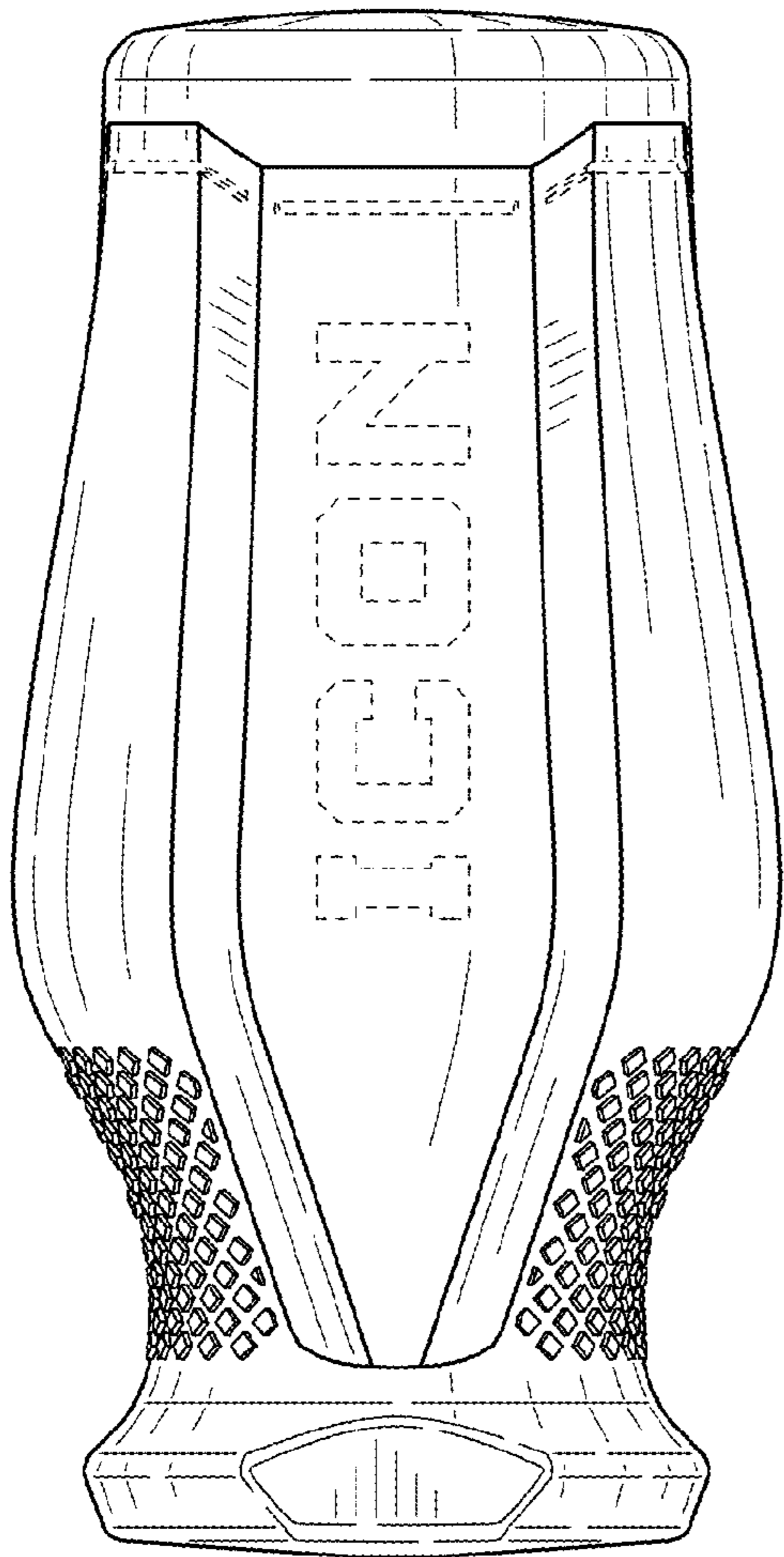


FIG. 10

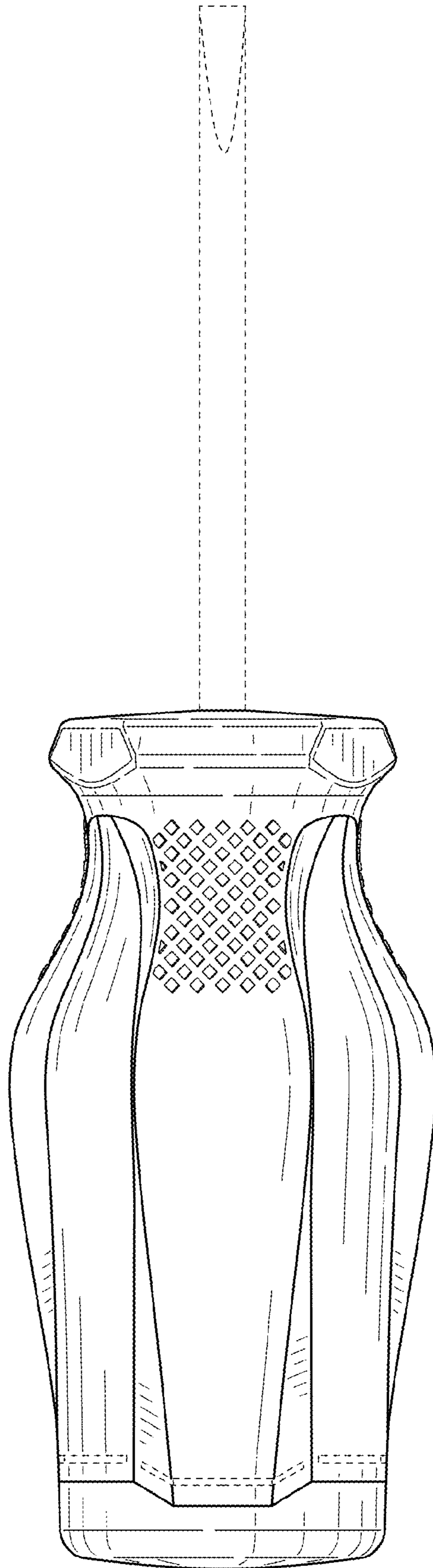


FIG. 11

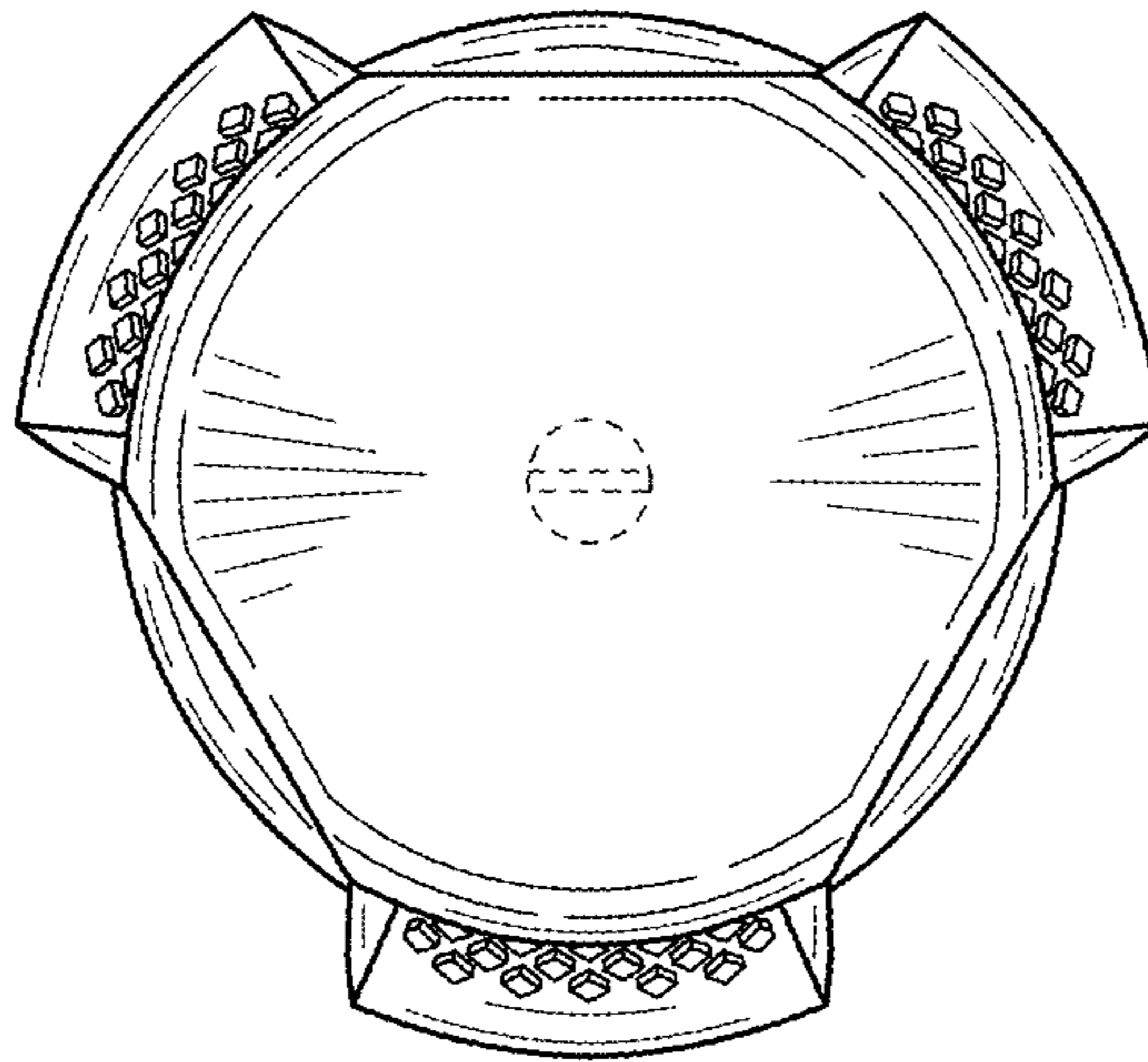


FIG. 13

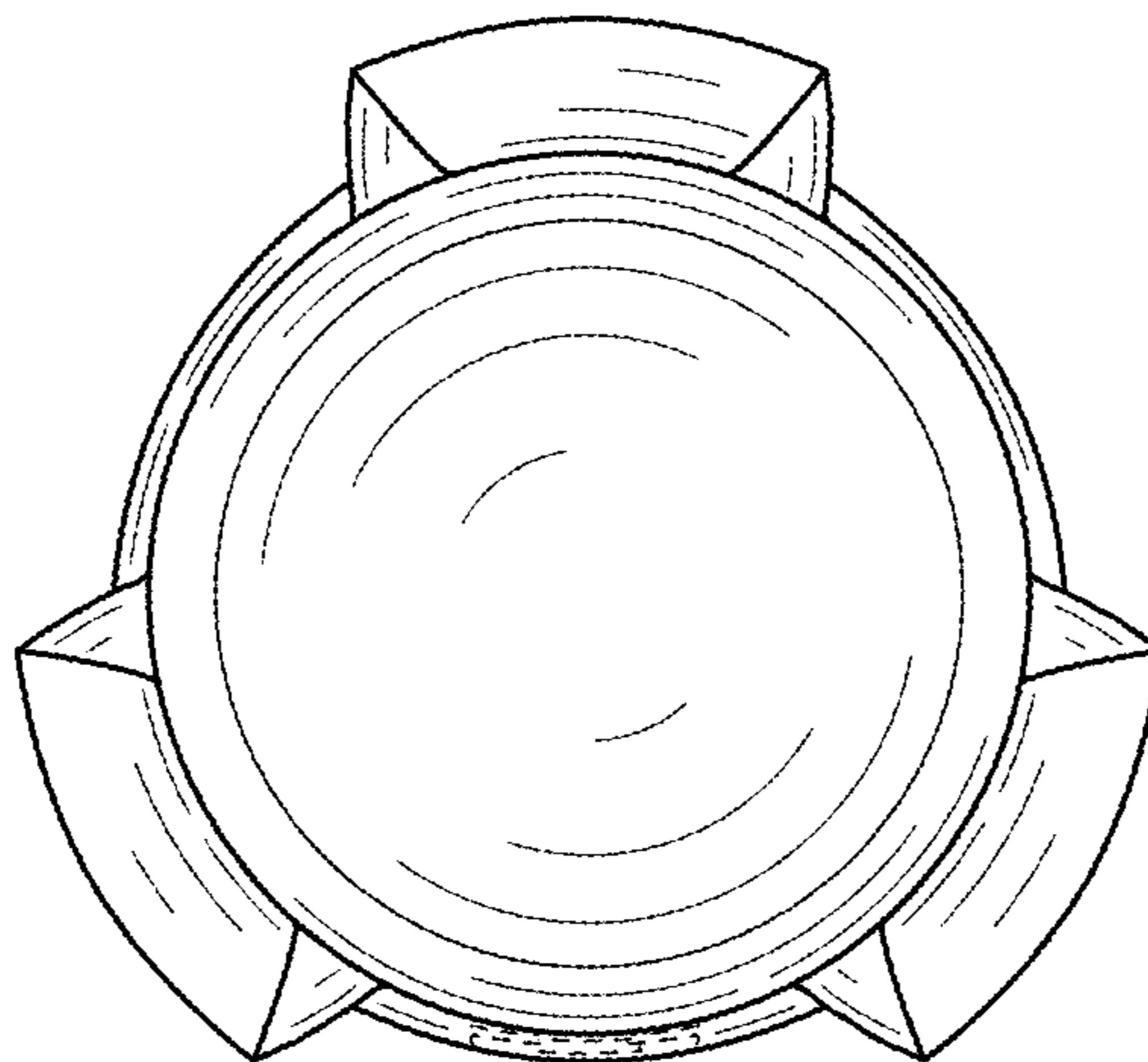


FIG. 12

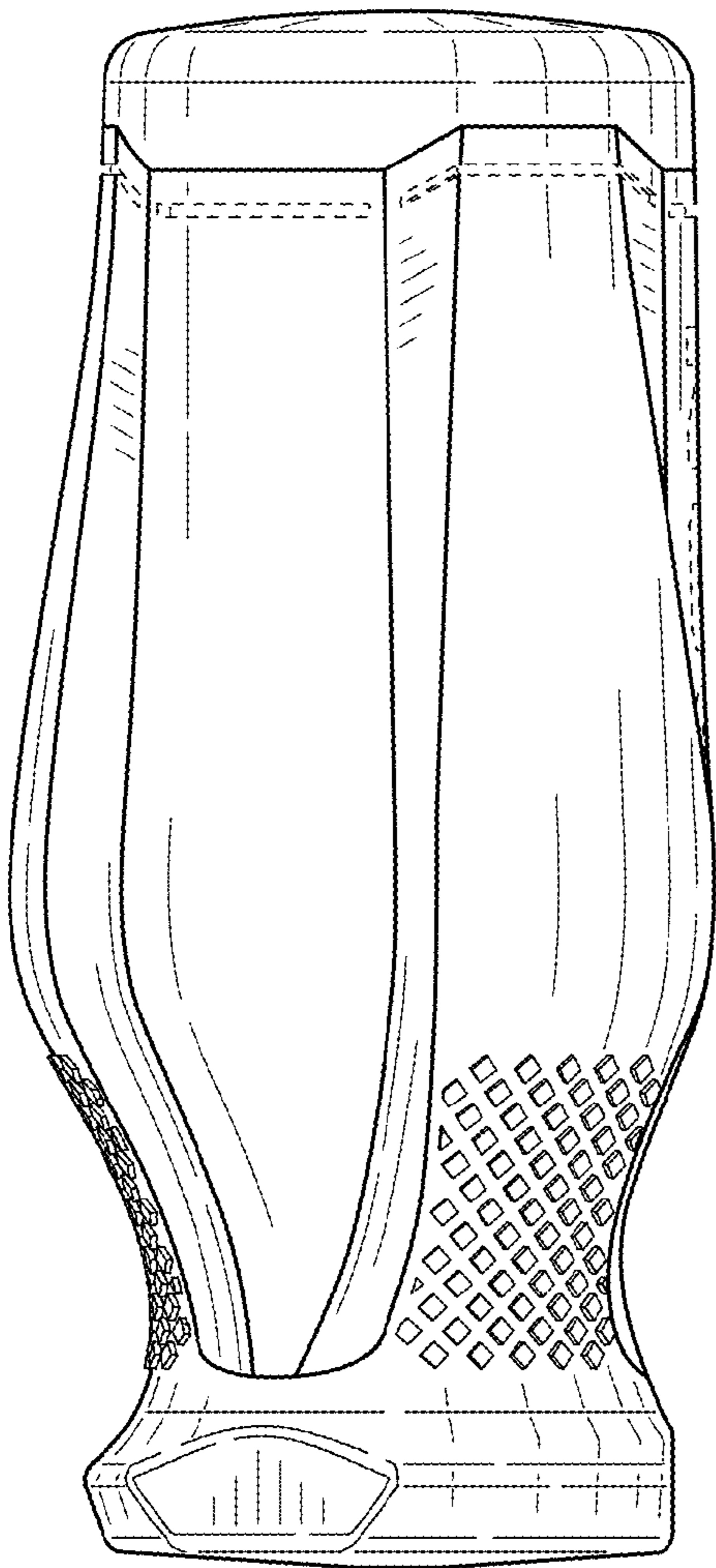


FIG. 14

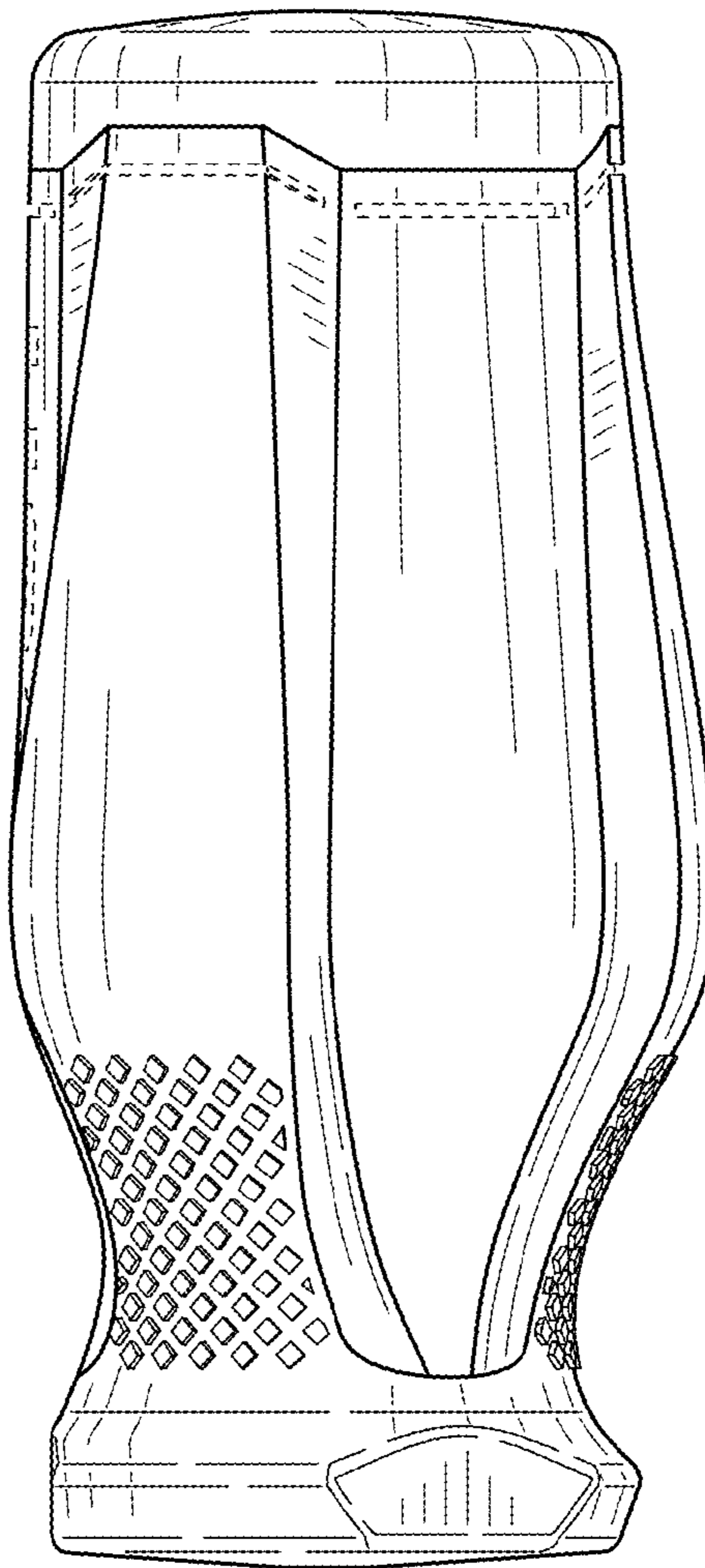


FIG. 15

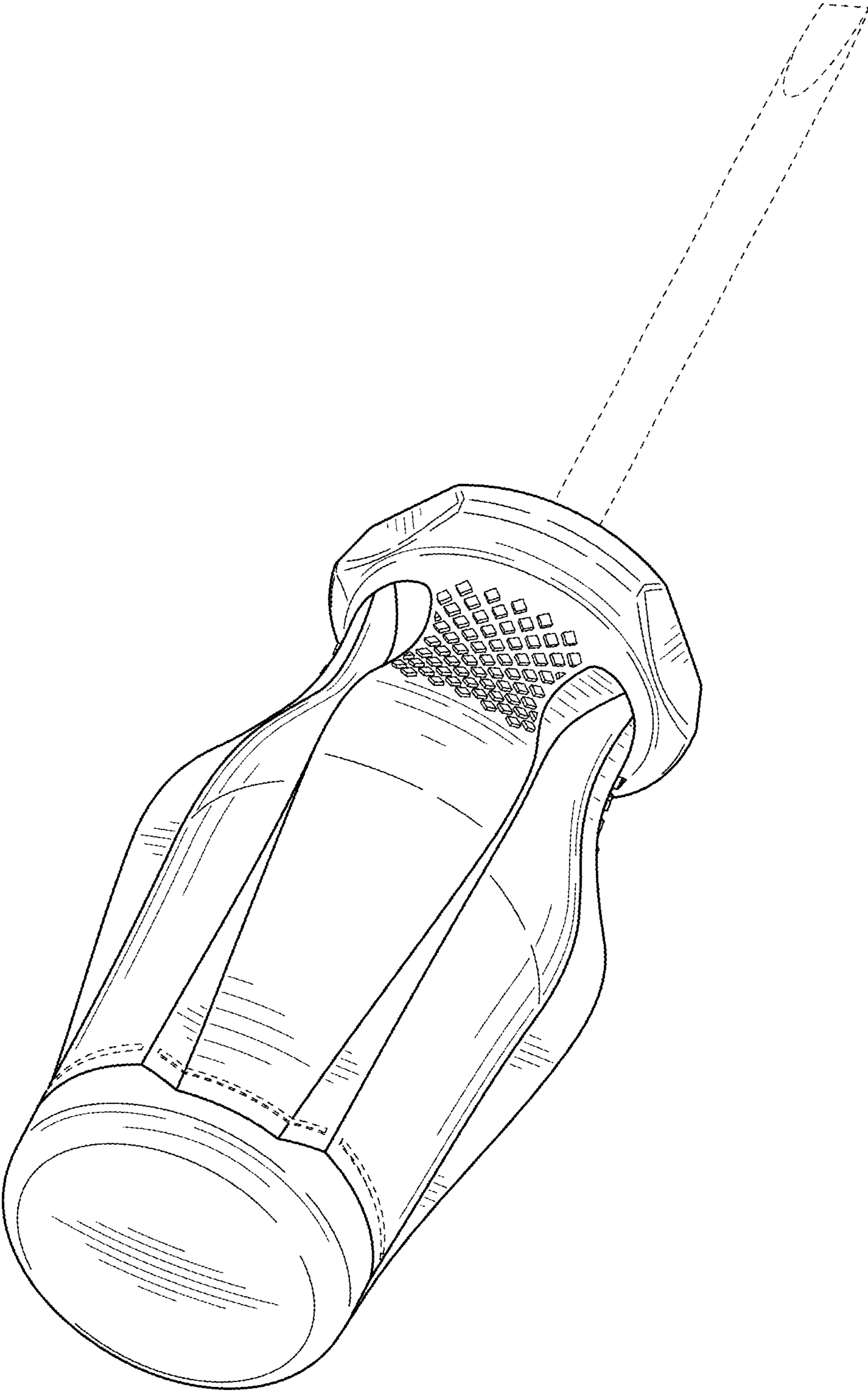


FIG. 16