

US00D897180S

(12) **United States Design Patent** (10) **Patent No.:** **US D897,180 S**
Swinney et al. (45) **Date of Patent:** **** Sep. 29, 2020**

(54) **CLAMP**
(71) Applicant: **Omni Cubed, Inc.**, Shingle Springs, CA (US)
(72) Inventors: **Stephen Paul Swinney**, Placerville, CA (US); **Larry Leigh Livingston, Jr.**, Cameron Park, CA (US)
(73) Assignee: **Omni Cubed, Inc.**, Shingle Springs, CA (US)
(**) Term: **15 Years**
(21) Appl. No.: **29/684,266**
(22) Filed: **Mar. 19, 2019**
(51) **LOC (12) Cl.** **08-05**
(52) **U.S. Cl.**
USPC **D8/72**
(58) **Field of Classification Search**
USPC D8/71-74, 394-399, 59; 248/63, 72, 248/74.1, 689, 124.2; 81/487, 385, 386, 81/388-390; 269/3, 4, 6, 143, 165, 240, 269/243, 246-249, 254 R, 147-149; 29/256, 257, 276; 408/103, 104-109
CPC B25B 1/00; B25B 5/00
See application file for complete search history.

D521,366 S * 5/2006 Polak D8/383
7,101,123 B1 * 9/2006 Weinstein B23B 47/287
408/103
D552,978 S * 10/2007 Liao D8/395
8,166,745 B2 * 5/2012 Seiter B25B 27/22
59/7
D668,522 S * 10/2012 Henderson D8/73
D738,713 S * 9/2015 Volin D8/394
D852,602 S * 7/2019 Nguyen D8/72
D858,242 S * 9/2019 Lund D8/72
D873,109 S * 1/2020 Goto D8/72
2019/0202013 A1 * 7/2019 Wawro B23Q 1/4809

* cited by examiner

Primary Examiner — David G Muller
(74) *Attorney, Agent, or Firm* — Manuel de la Cerra

(57) **CLAIM**

The ornamental design for a clamp, as shown and described.

DESCRIPTION

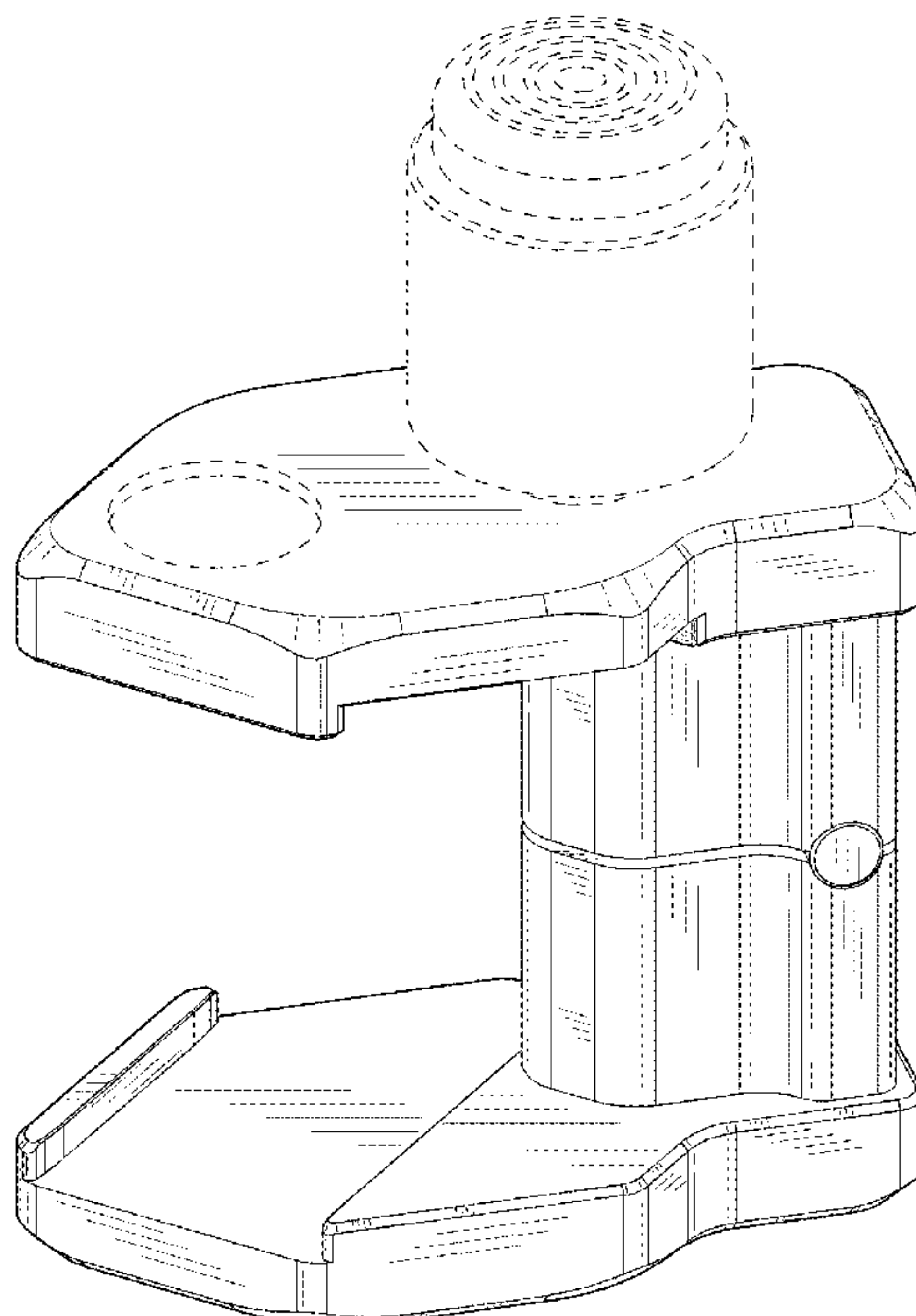
FIG. 1 is a top right perspective view of a clamp.
FIG. 2 is bottom right perspective view thereof.
FIG. 3 is a top left perspective view thereof.
FIG. 4 is top perspective view thereof, connected to two rails.
FIG. 5 is a front view thereof.
FIG. 6 is a back view thereof.
FIG. 7 is a left side view thereof.
FIG. 8 is a right side view thereof.
FIG. 9 is a top view thereof; and,
FIG. 10 is a bottom view thereof.
The broken line showing of parts of the drawings is included for the purpose of illustrating use and environment, and forms no part of the claimed design.

(56) **References Cited**

U.S. PATENT DOCUMENTS

6,254,320 B1 * 7/2001 Weinstein B23B 47/287
408/103
D470,400 S * 2/2003 Fraser D8/396
6,665,921 B2 * 12/2003 Winterfeldt B25B 27/023
29/256

1 Claim, 9 Drawing Sheets



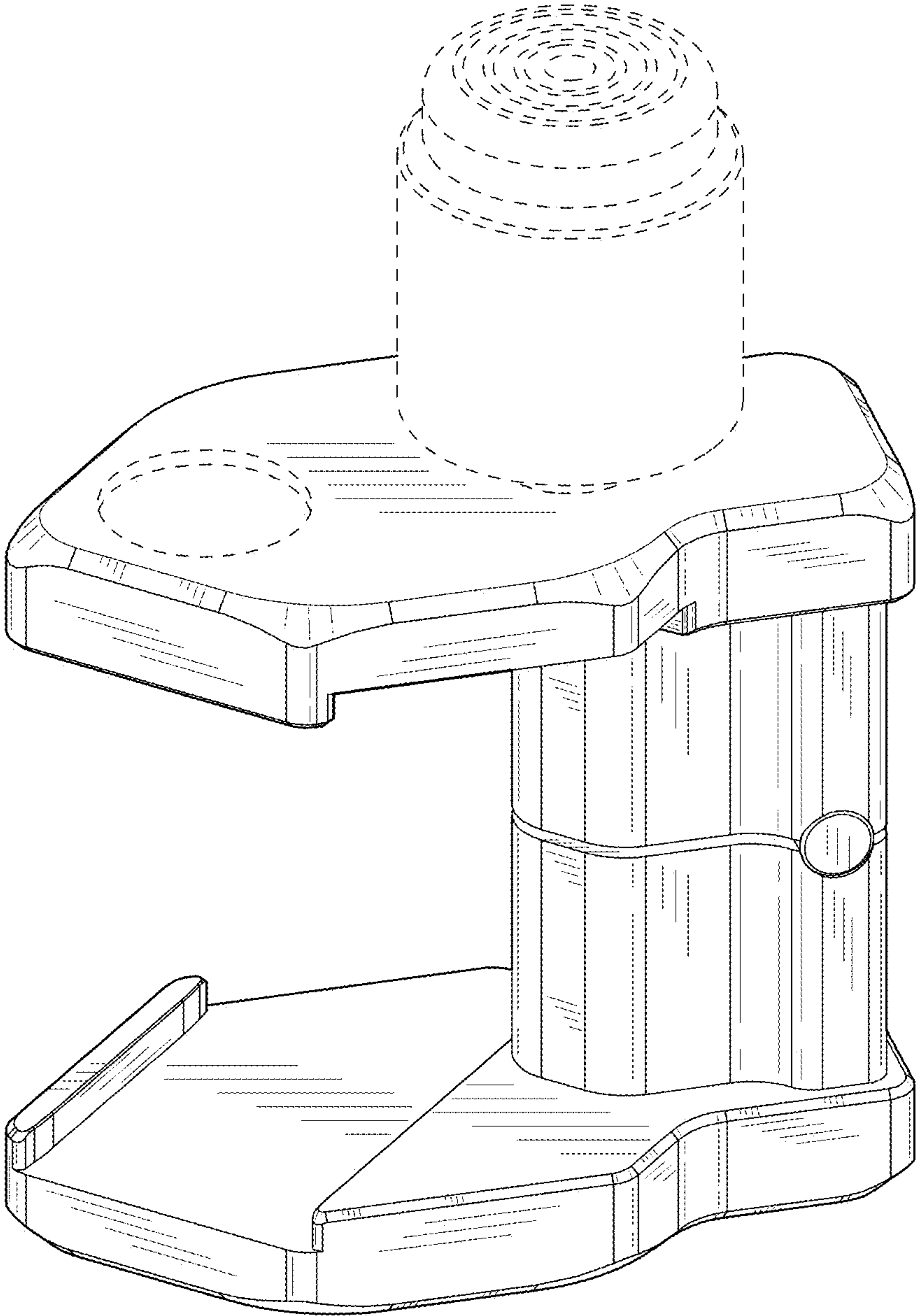


FIG. 1

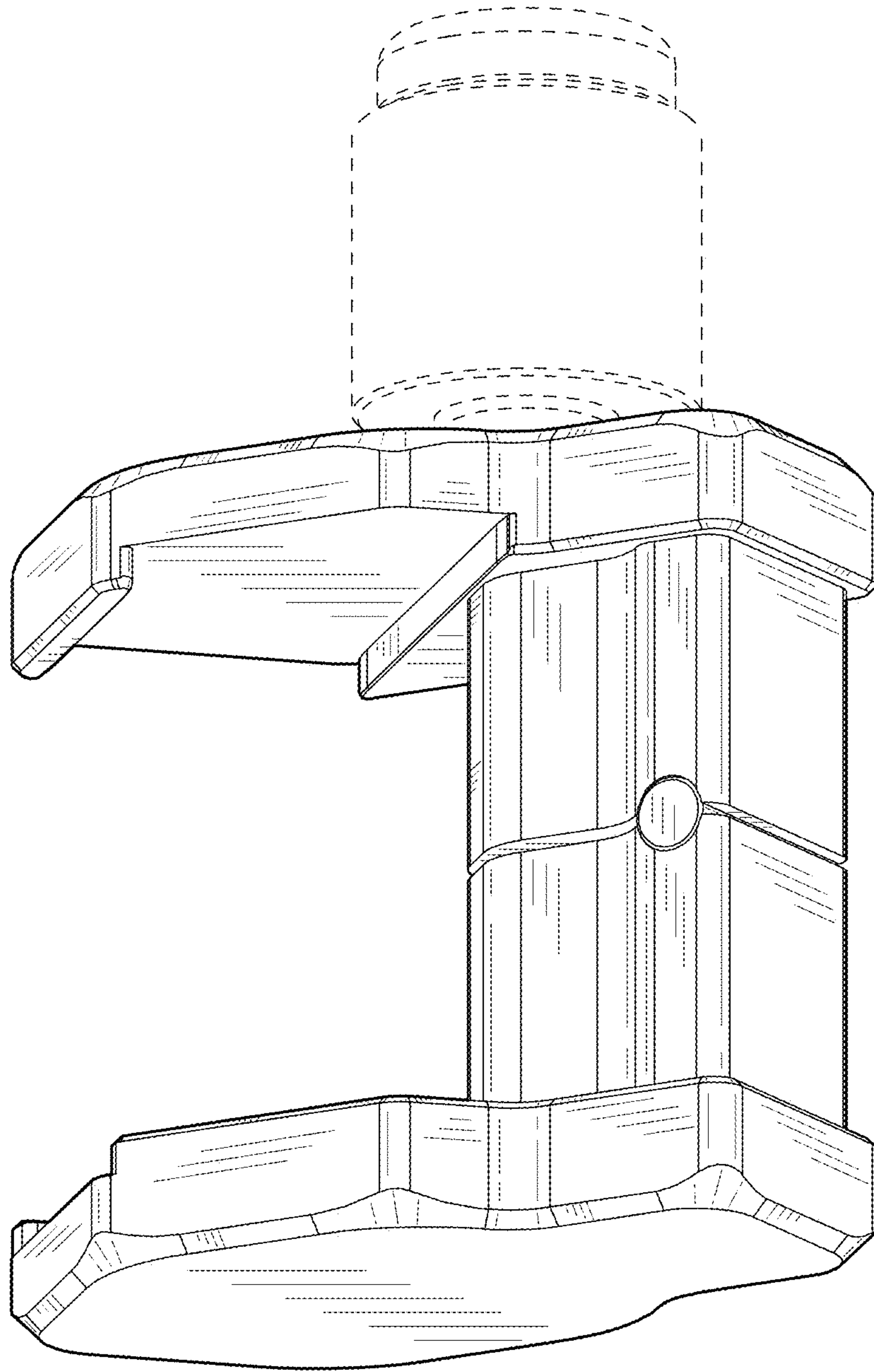


FIG. 2

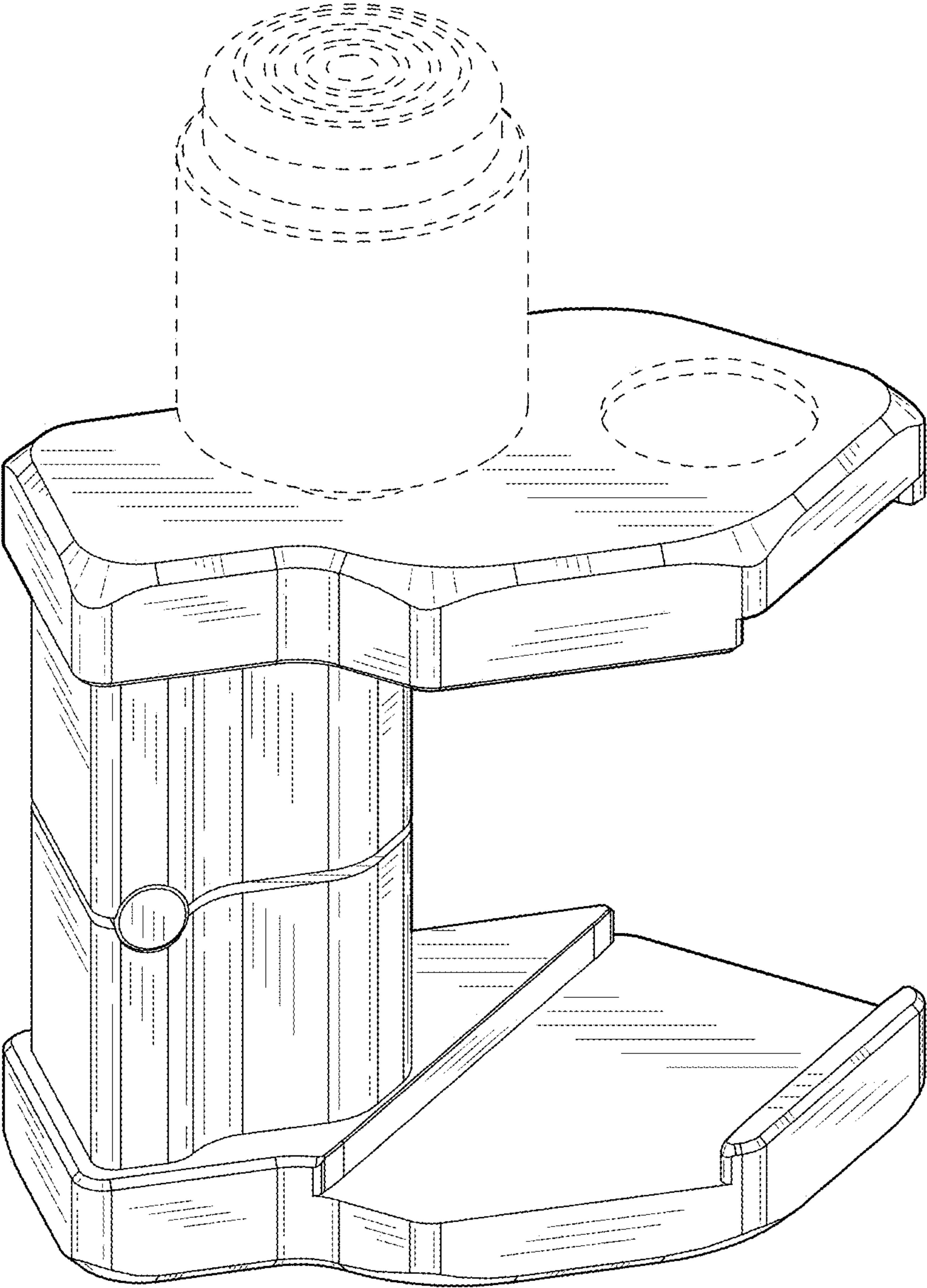


FIG. 3

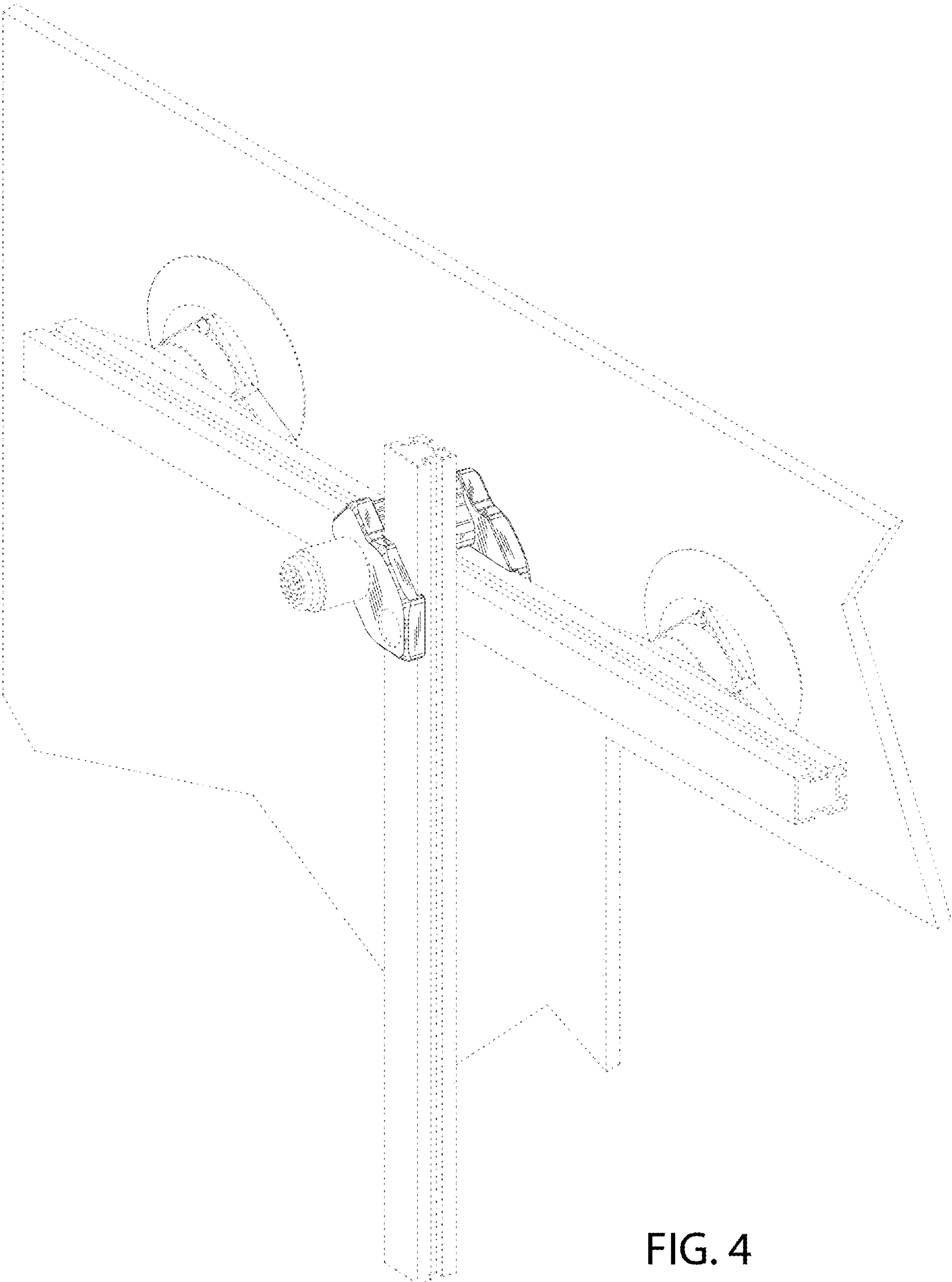


FIG. 4

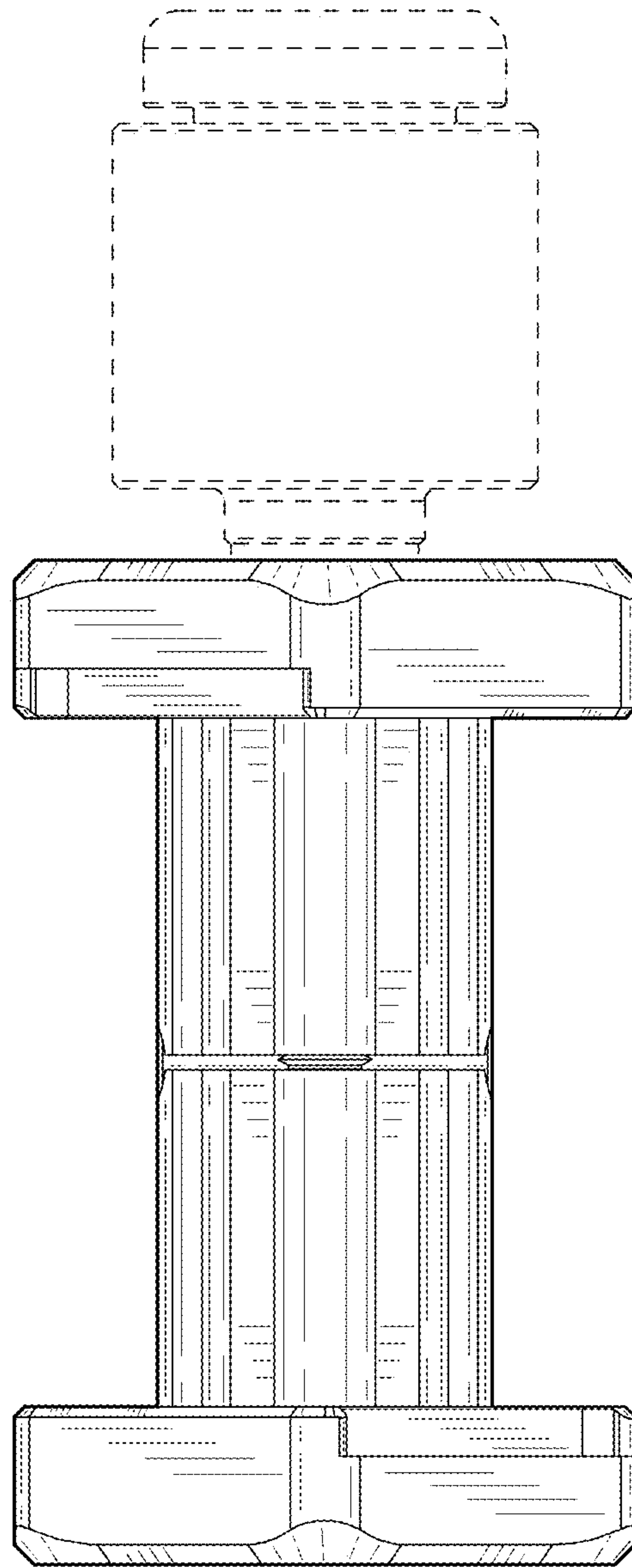


FIG. 5

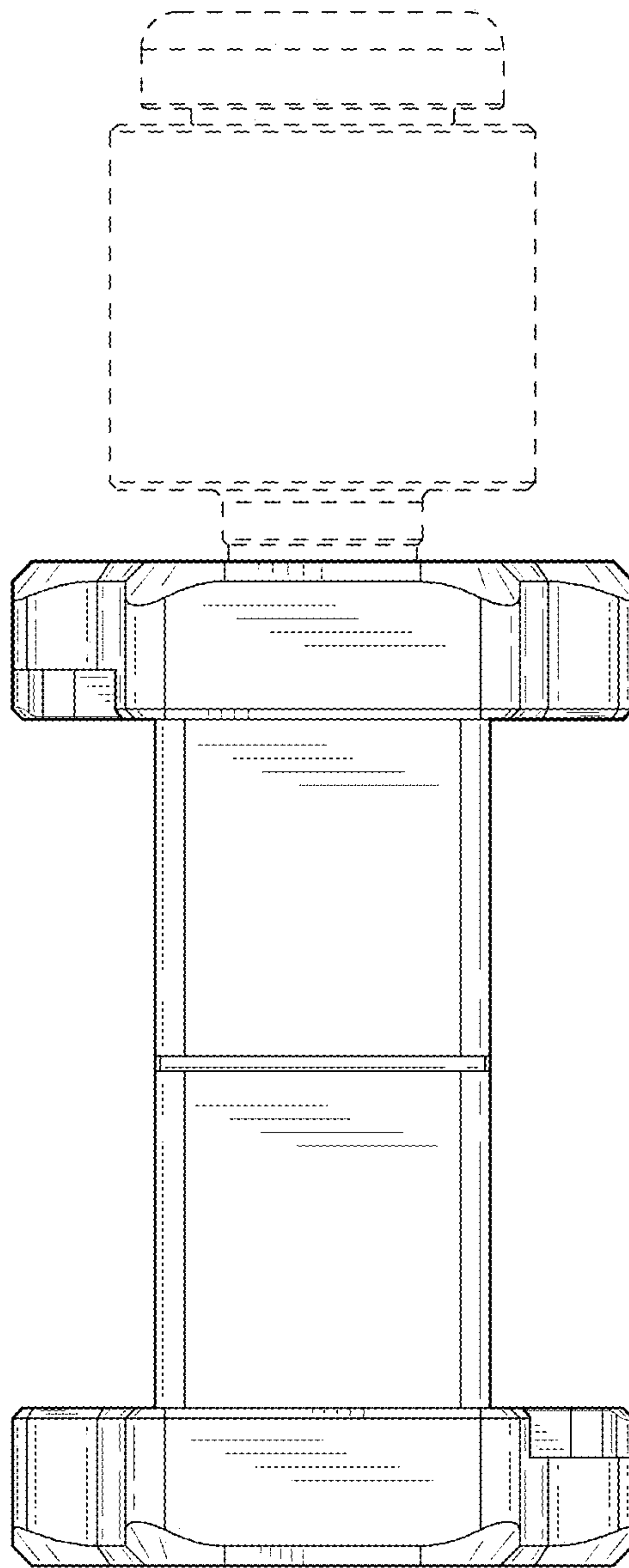


FIG. 6

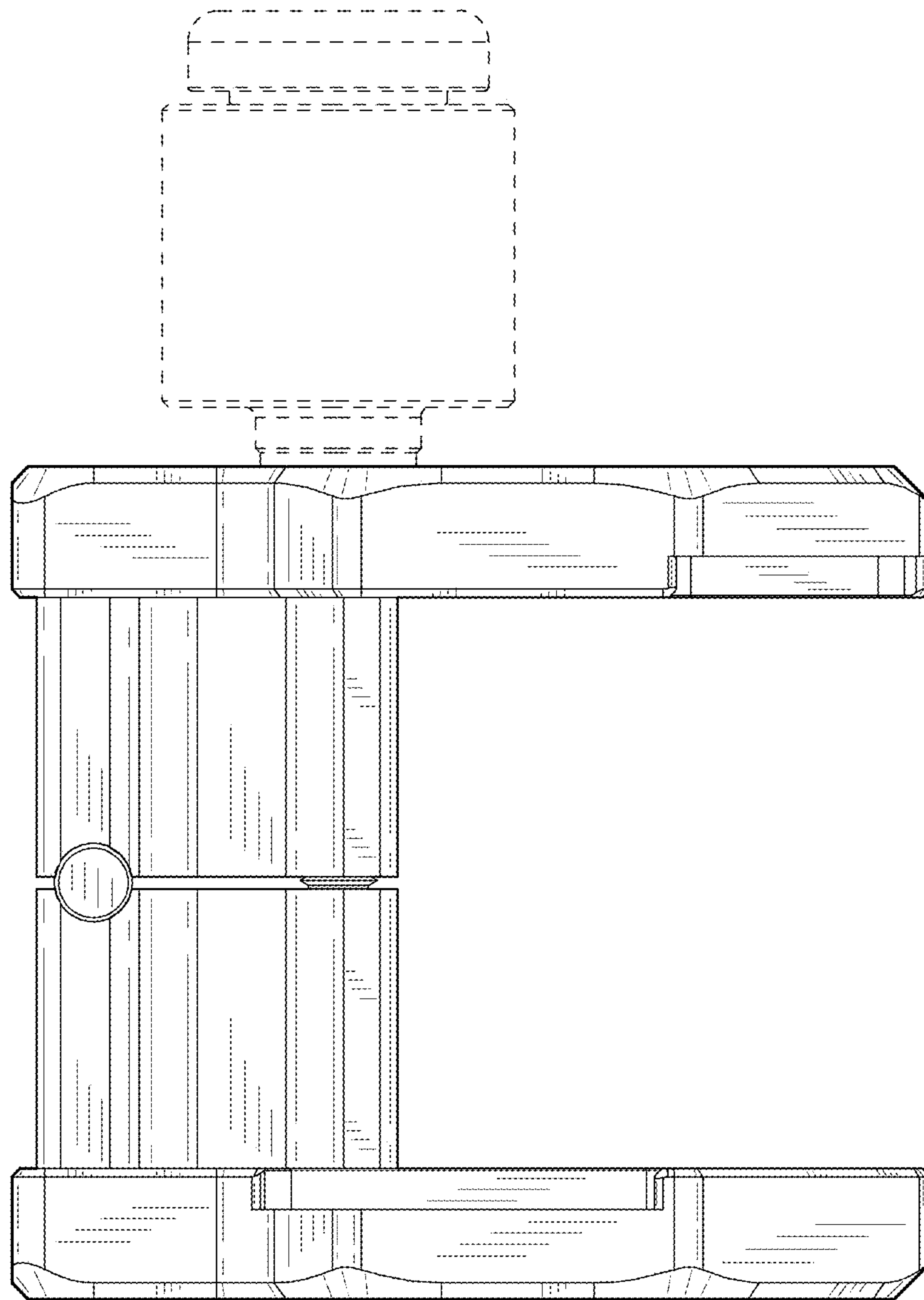


FIG. 7

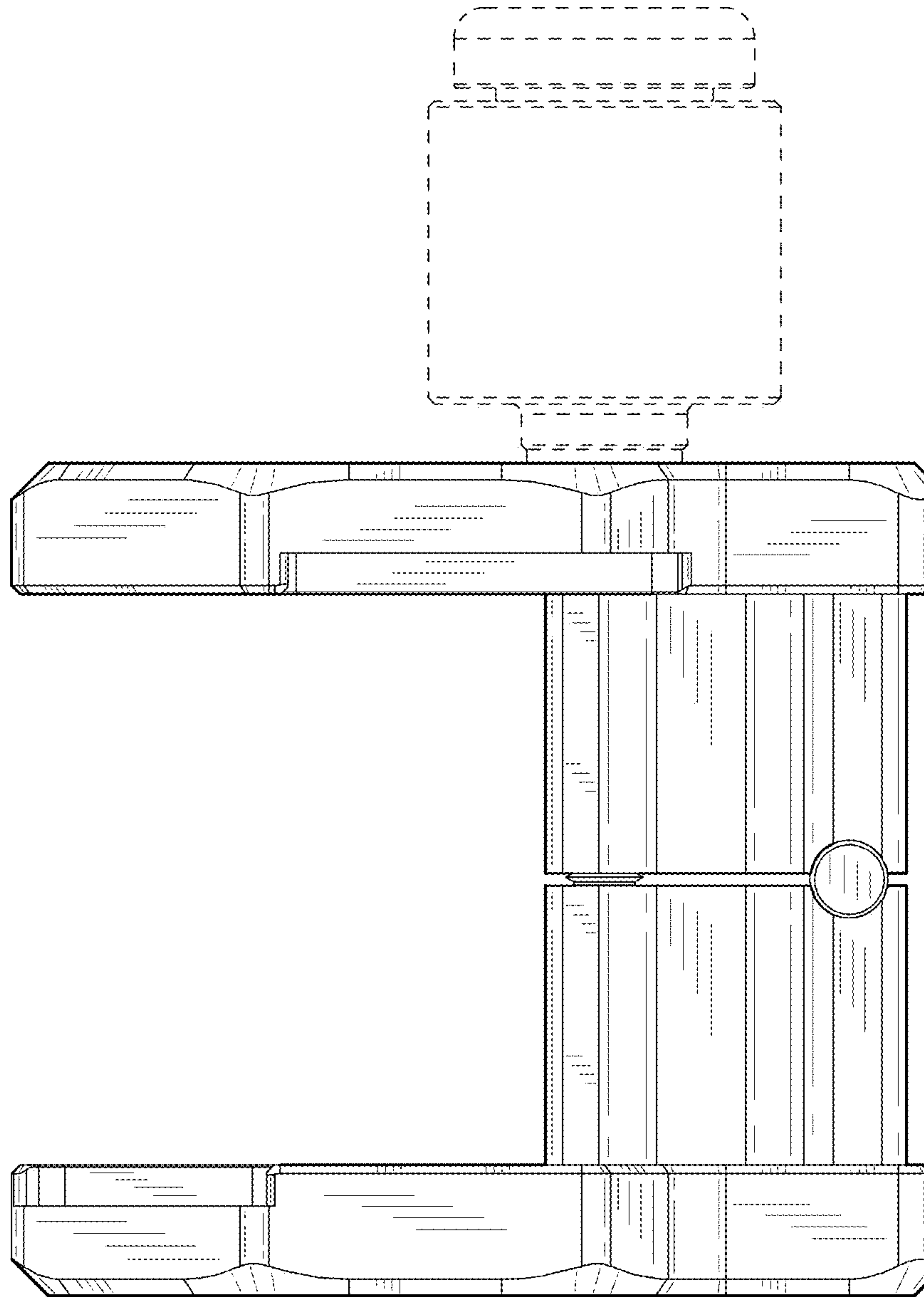


FIG. 8

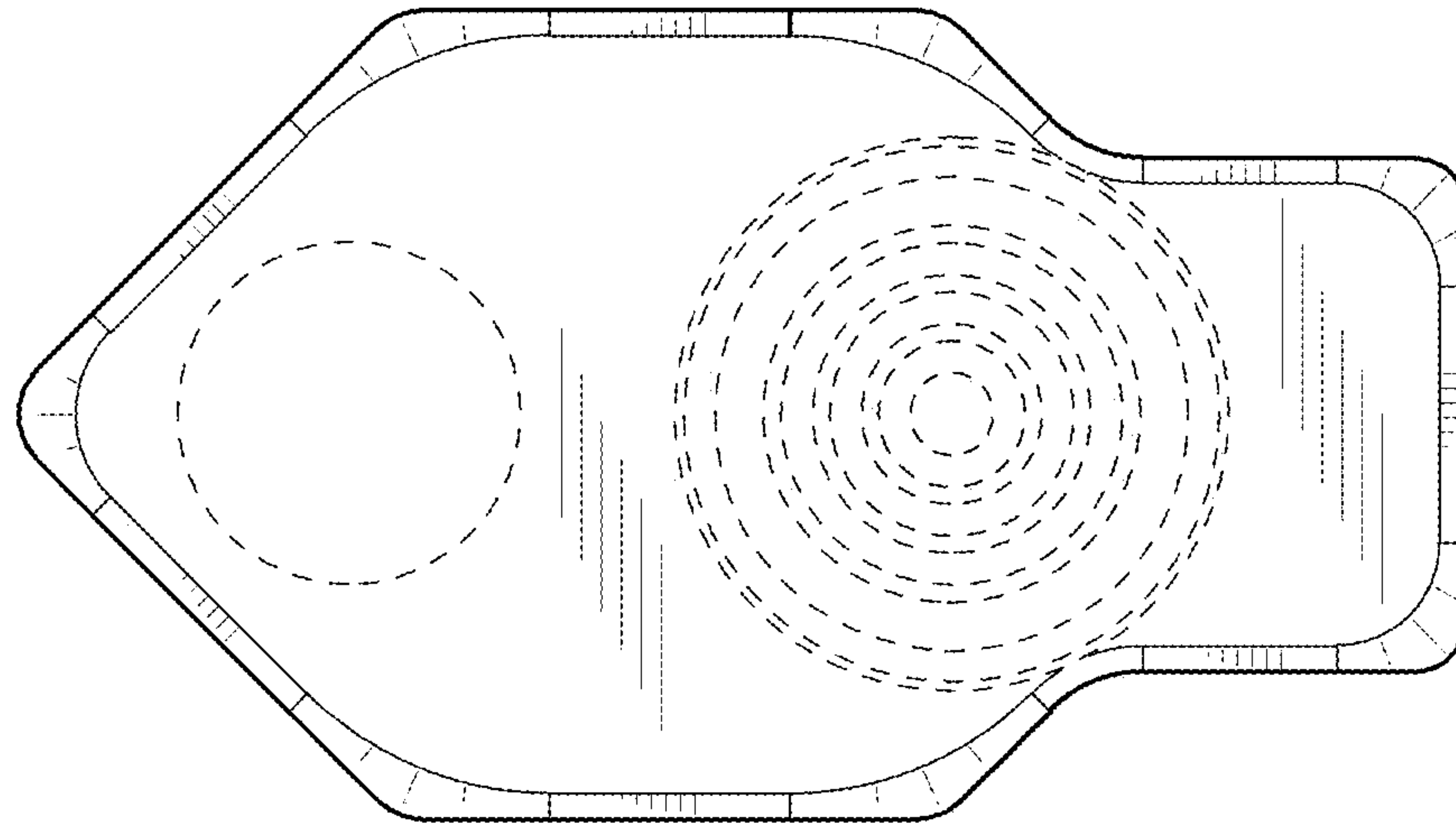


FIG. 9

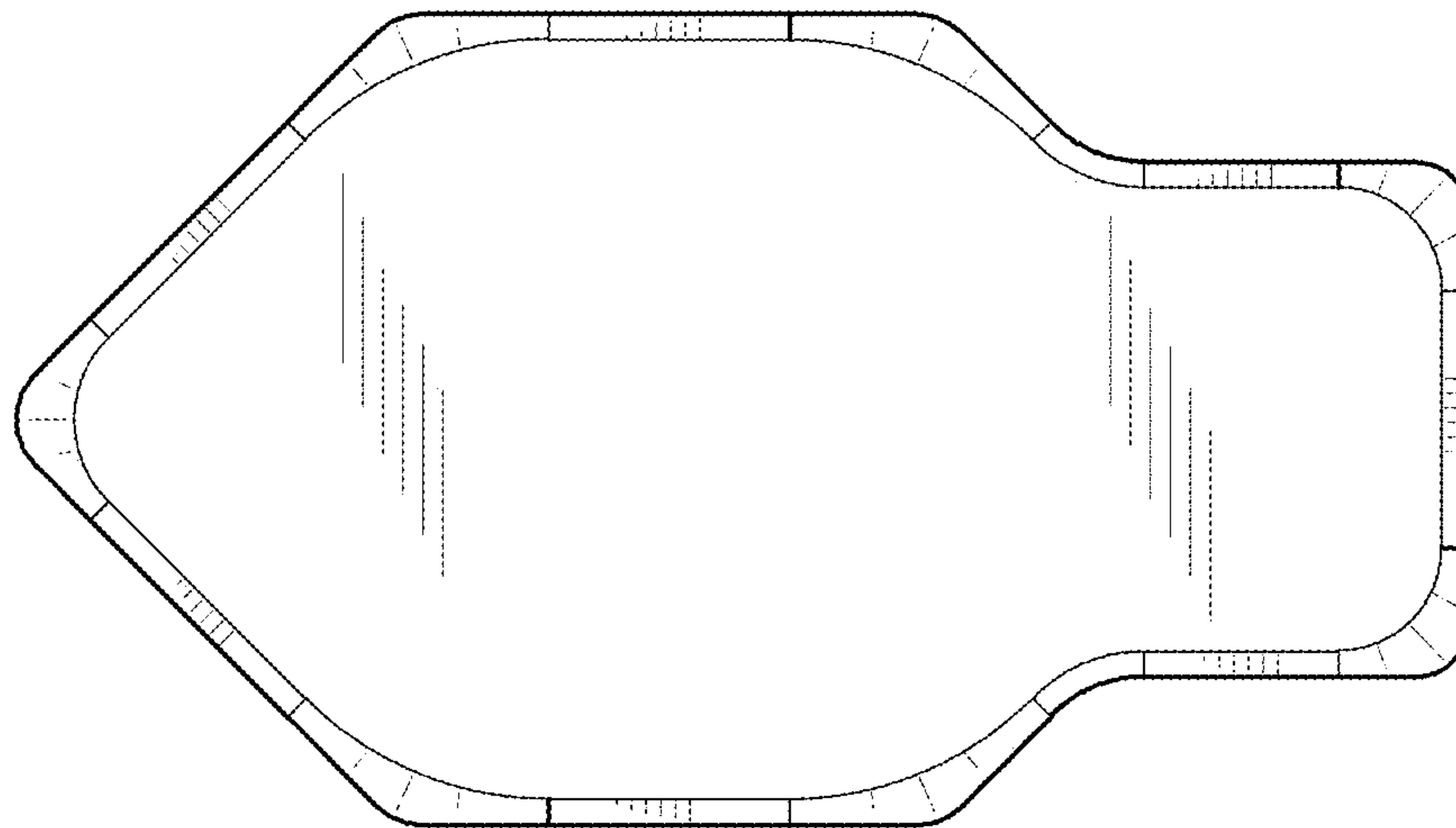


FIG. 10