

US00D897179S

(12) **United States Design Patent**
Underwood

(10) **Patent No.:** **US D897,179 S**
(45) **Date of Patent:** **** Sep. 29, 2020**

(54) **TOOL RACK**

(71) Applicant: **Randy C. Underwood**, Malvern, AR
(US)

(72) Inventor: **Randy C. Underwood**, Malvern, AR
(US)

(**) Term: **15 Years**

(21) Appl. No.: **29/675,064**

(22) Filed: **Dec. 28, 2018**

(51) **LOC (12) Cl.** **08-05**

(52) **U.S. Cl.**
USPC **D8/71**

(58) **Field of Classification Search**
USPC D8/71, 315, 353, 354
CPC B25H 3/04; B25H 3/003
See application file for complete search history.

(56) **References Cited**

U.S. PATENT DOCUMENTS

D236,778 S *	9/1975	Thiere et al.	D8/71
D268,477 S *	4/1983	Underdahl	D8/107
D273,544 S	4/1984	Sheftel	
4,467,925 A	8/1984	Ratzloff et al.	
D304,137 S	10/1989	Handler et al.	
5,071,012 A	12/1991	Jailor	
D344,868 S	3/1994	Martinell	
D372,620 S	8/1996	Tisbo	
D401,460 S	11/1998	Laga	
D429,921 S	8/2000	Allanson	
D474,933 S	5/2003	Kaposi	
6,651,829 B1	11/2003	Prochaska	
D485,157 S	1/2004	Rodrigue	
D498,135 S	11/2004	Rodrigue	
D498,880 S	11/2004	Jones	
D533,745 S	12/2006	Rodrigue	
7,740,144 B2 *	6/2010	Kosir	A47F 5/08 211/113
D637,852 S	5/2011	Black, Jr. et al.	

D639,593 S	6/2011	Perone et al.
D644,054 S	8/2011	ODell
D644,055 S	8/2011	ODell
D648,899 S	11/2011	Westerdal
D670,034 S	10/2012	Kolodziej
D695,460 S	12/2013	Slater et al.
D705,492 S	5/2014	Zhu et al.
D742,074 S	10/2015	Maloigne
D742,596 S	11/2015	Peng

(Continued)

OTHER PUBLICATIONS

8" Double Prong Slatwall Hook, posted at vipertoolstorage.com, posting date not given, [online], [site visited Jun. 17, 2020]. Available from Internet, URL: <https://vipertoolstorage.com/product/8-double-prong-slat-wall-hook/> (Year: 2020).*

(Continued)

Primary Examiner — George D. Kirschbaum

Assistant Examiner — Maria J Edwards

(74) *Attorney, Agent, or Firm* — Dunlap Bennett & Ludwig, PLLC

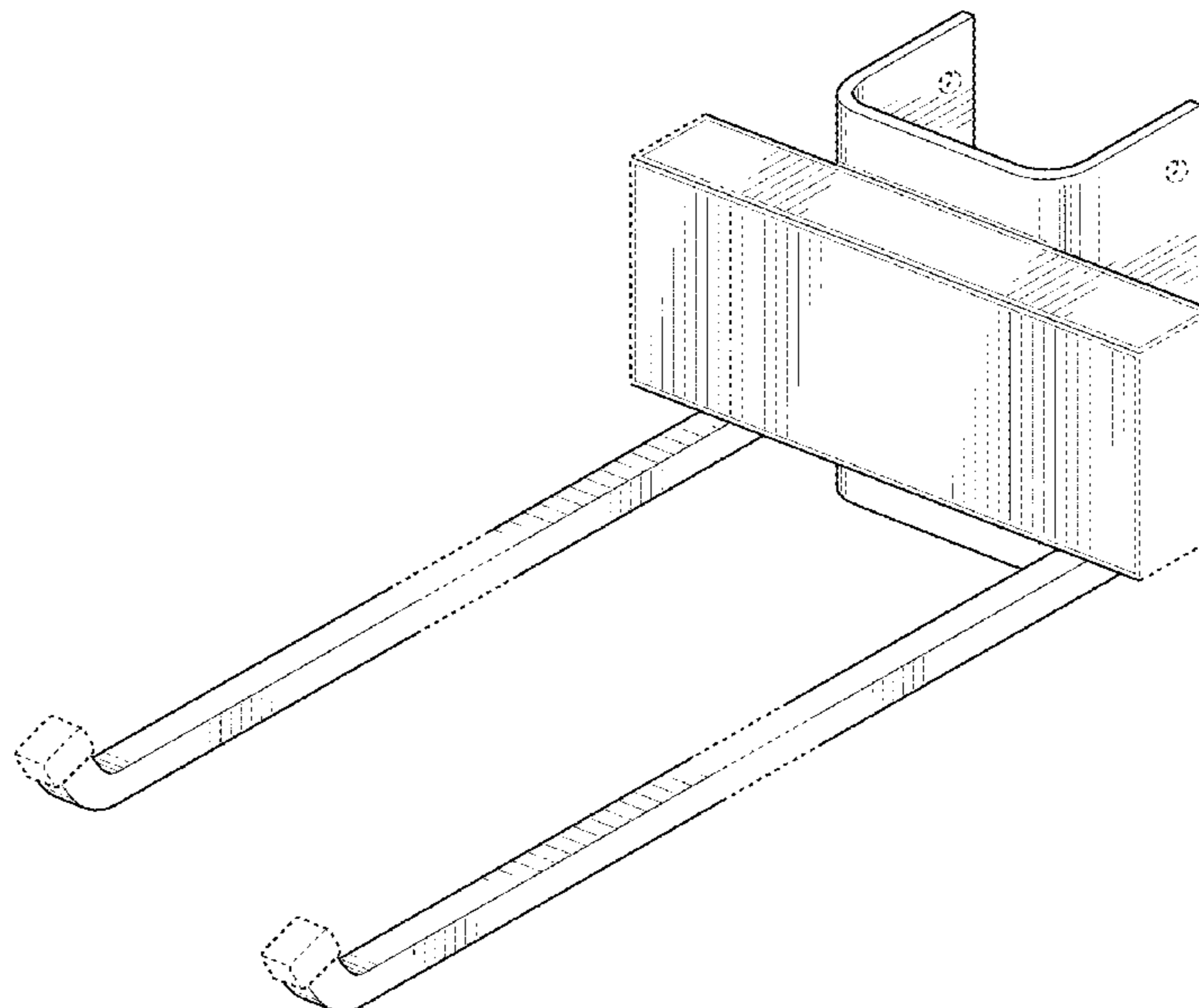
(57) **CLAIM**

The ornamental design for a tool rack, as shown and described.

DESCRIPTION

FIG. 1 is a perspective view of a tool rack, showing my new design;
FIG. 2 is a top plan view thereof;
FIG. 3 is a bottom plan view being;
FIG. 4 is a left-side elevation view thereof;
FIG. 5 is a right-side elevation view thereof;
FIG. 6 is a front elevation view thereof; and,
FIG. 7 is a rear elevation view thereof.
The broken lines shown in the drawings depict portions of the tool rack that form no part of the claimed design.

1 Claim, 4 Drawing Sheets



(56)

References Cited

U.S. PATENT DOCUMENTS

D742,597	S	11/2015	Peng	
D742,598	S	11/2015	Peng	
D742,599	S	11/2015	Peng	
D743,106	S	11/2015	Peng	
D743,629	S	11/2015	Peng	
D743,630	S	11/2015	Peng	
D748,866	S	2/2016	Tutor	
D749,269	S	2/2016	Tutor	
D756,038	S	5/2016	Yang et al.	
D756,568	S	5/2016	Scanlon	
D758,022	S	5/2016	Slater et al.	
D762,925	S	8/2016	Axelsson et al.	
D773,741	S	12/2016	Slater et al.	
D775,476	S	1/2017	Corless	
D782,227	S	3/2017	Hepburn	
D848,827	S *	5/2019	White	D8/381
D863,048	S *	10/2019	White	D8/381

OTHER PUBLICATIONS

Tool Racks Double Bar, posted at uline.com, posting date not given, [online], [site visited Jun. 17, 2020]. Available from Internet, URL: https://www.uline.com/BL_99/Tool-Racks (Year: 2020).*

Xtreme Garage Two Prong Hook, posted at menards.com, posting date not given, [online], [site visited Jun. 17, 2020]. Available from Internet, URL: <https://www.menards.com/main/storage-organization/garage-outdoor-organizers/wall-storage/xtreme-garage-reg-two-prong-hook/49103/p-1469148214195.htm> (Year: 2020).*

* cited by examiner

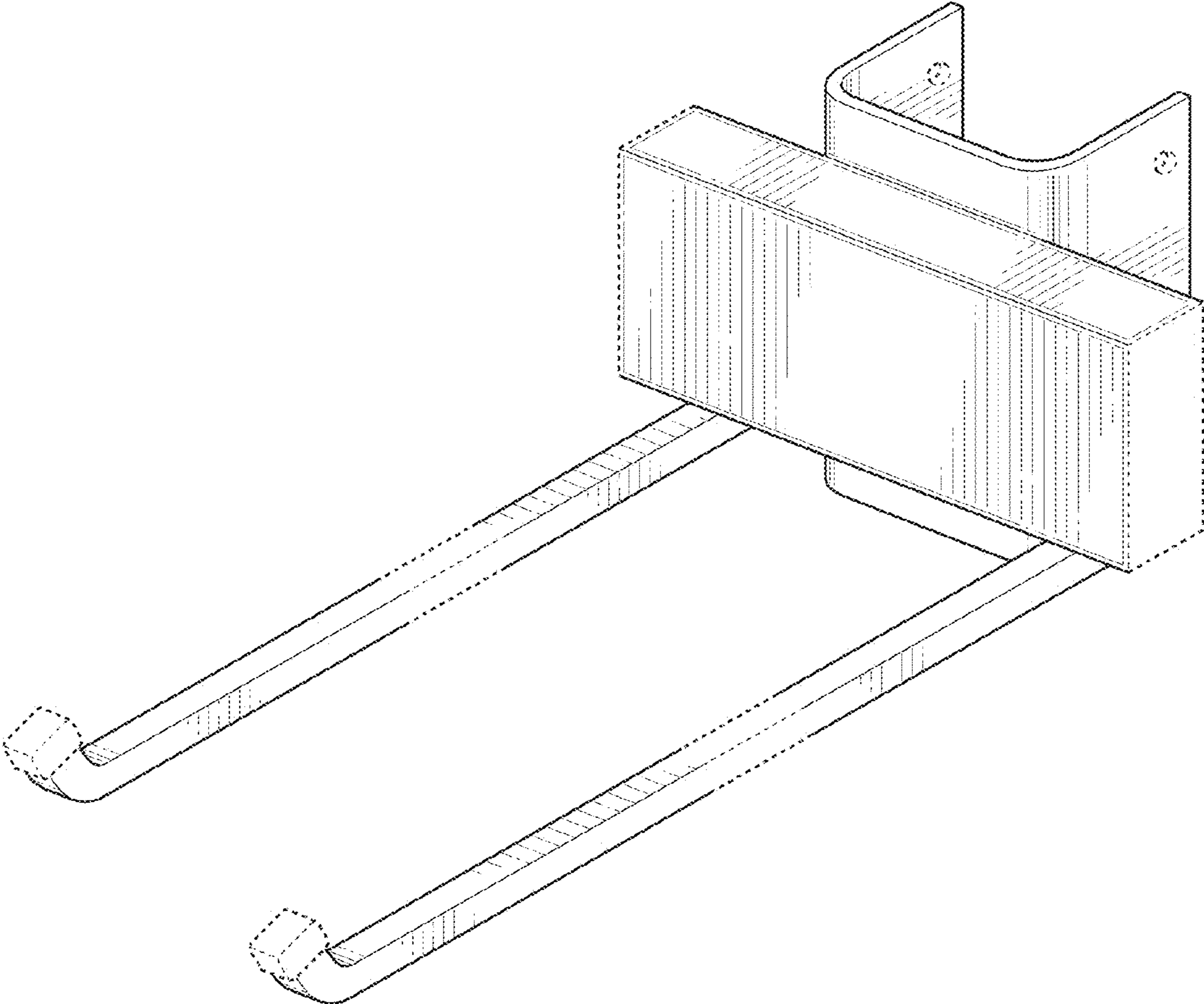


FIG. 1

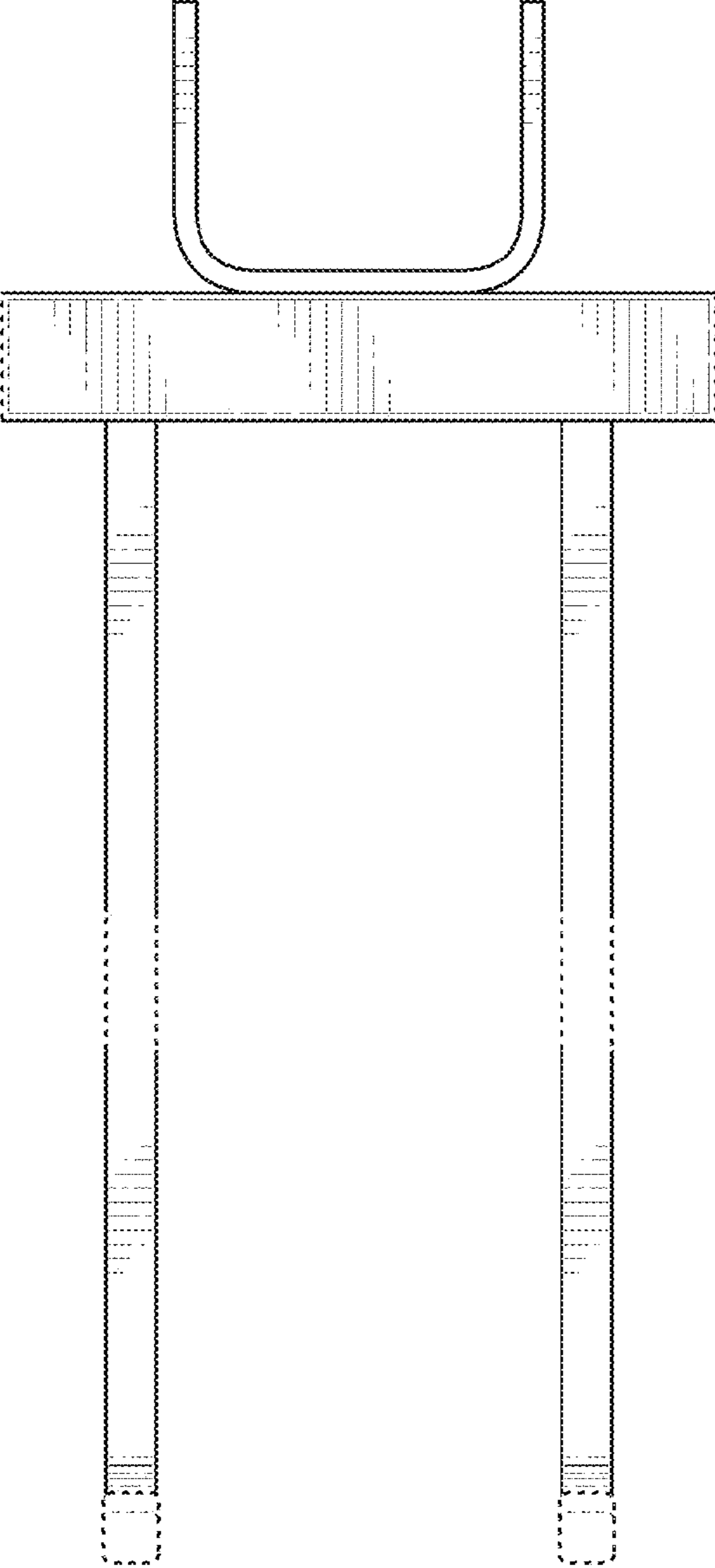


FIG. 2

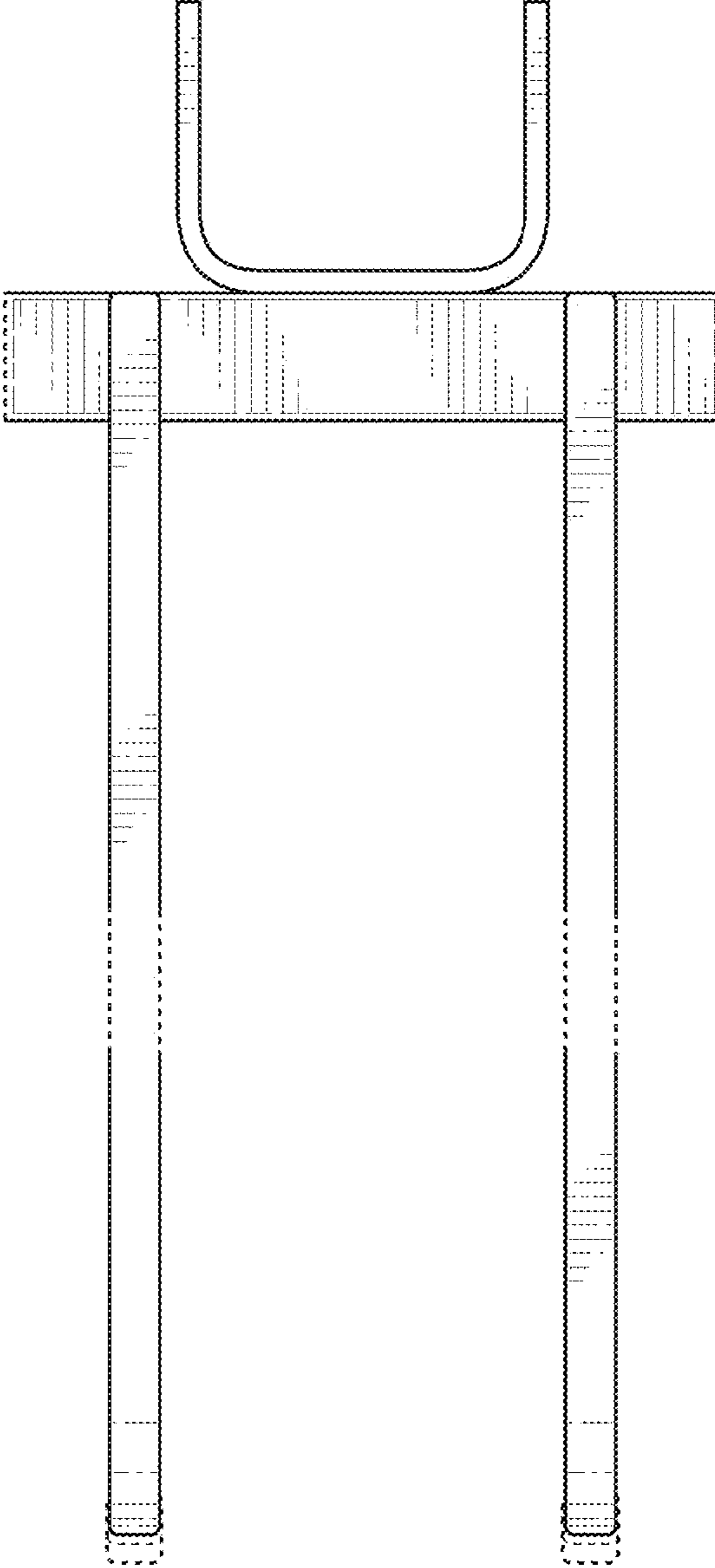


FIG. 3

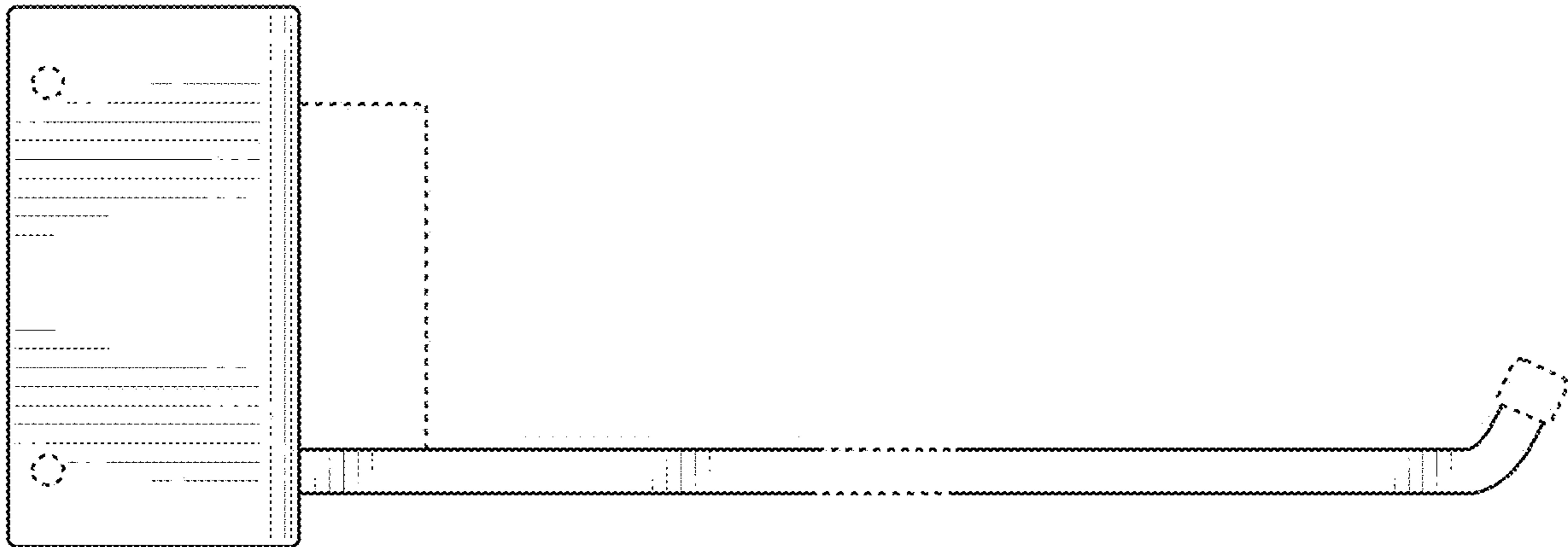


FIG. 4

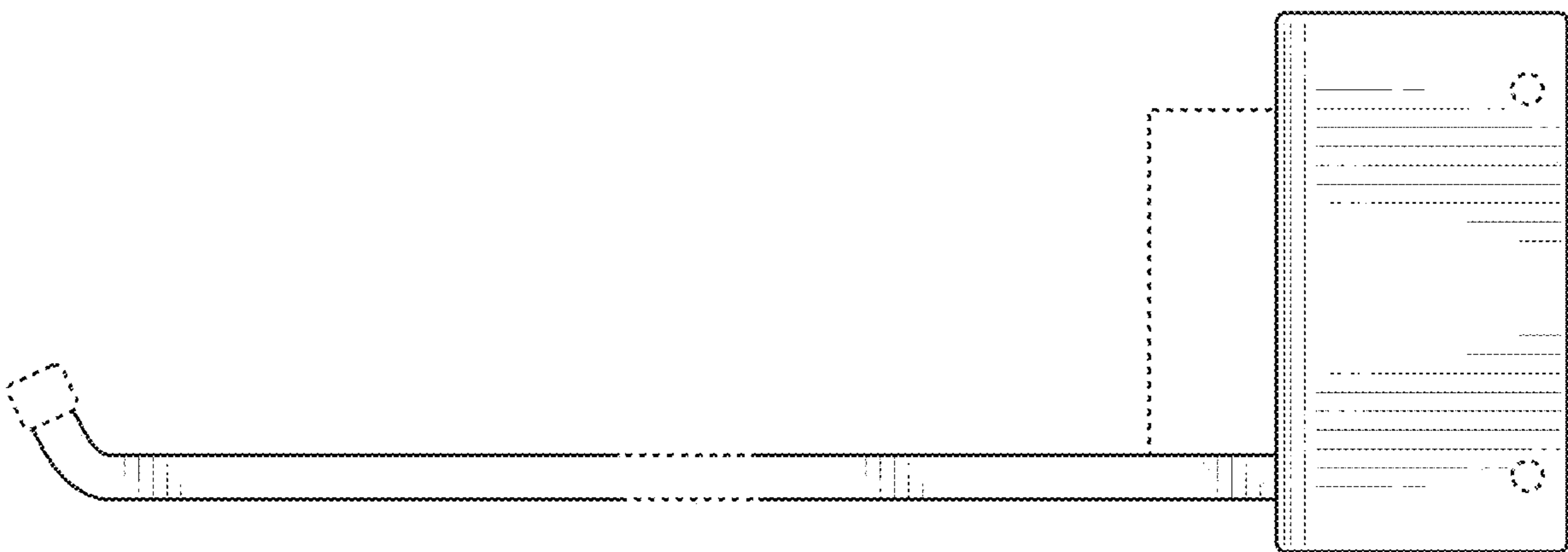


FIG. 5

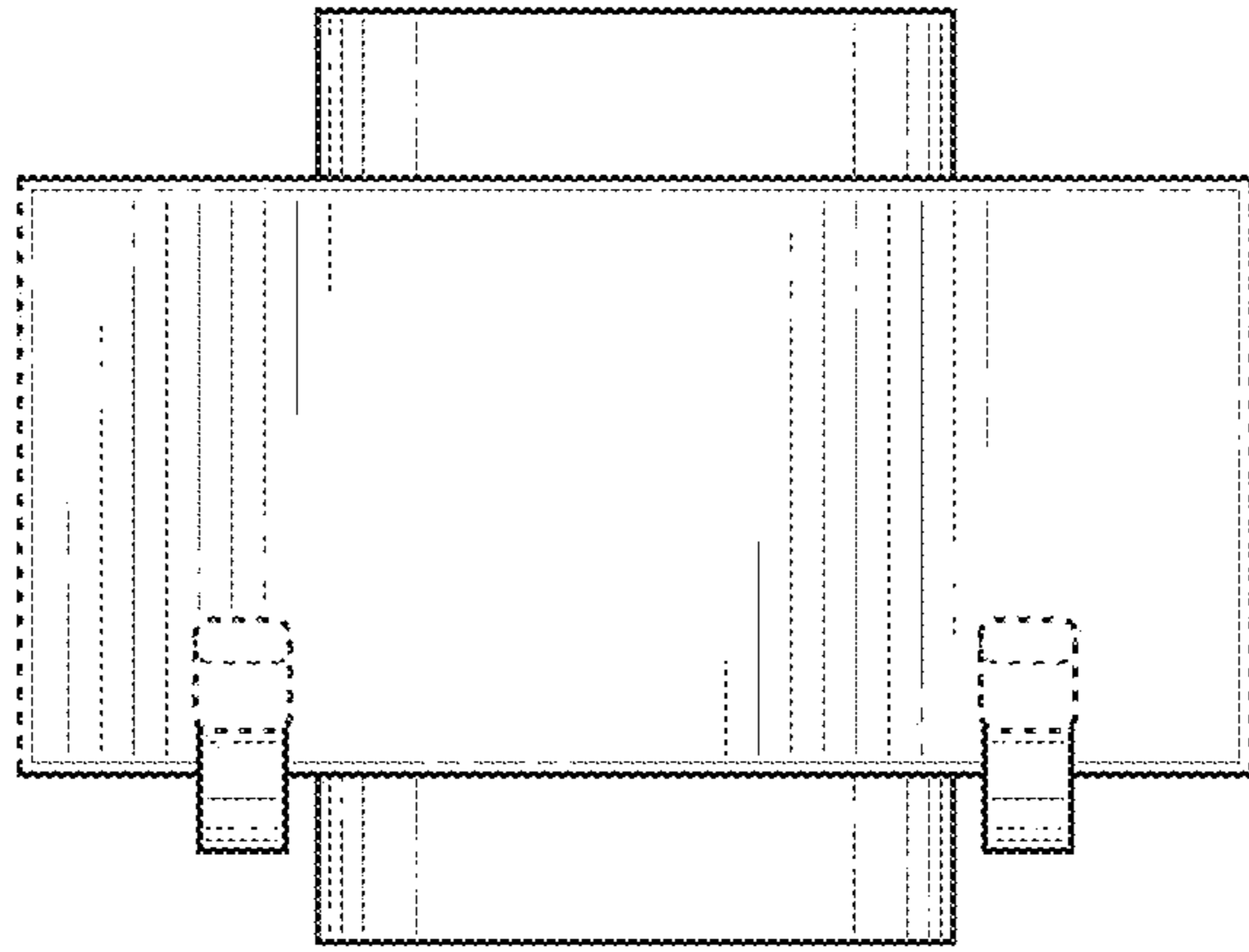


FIG. 6

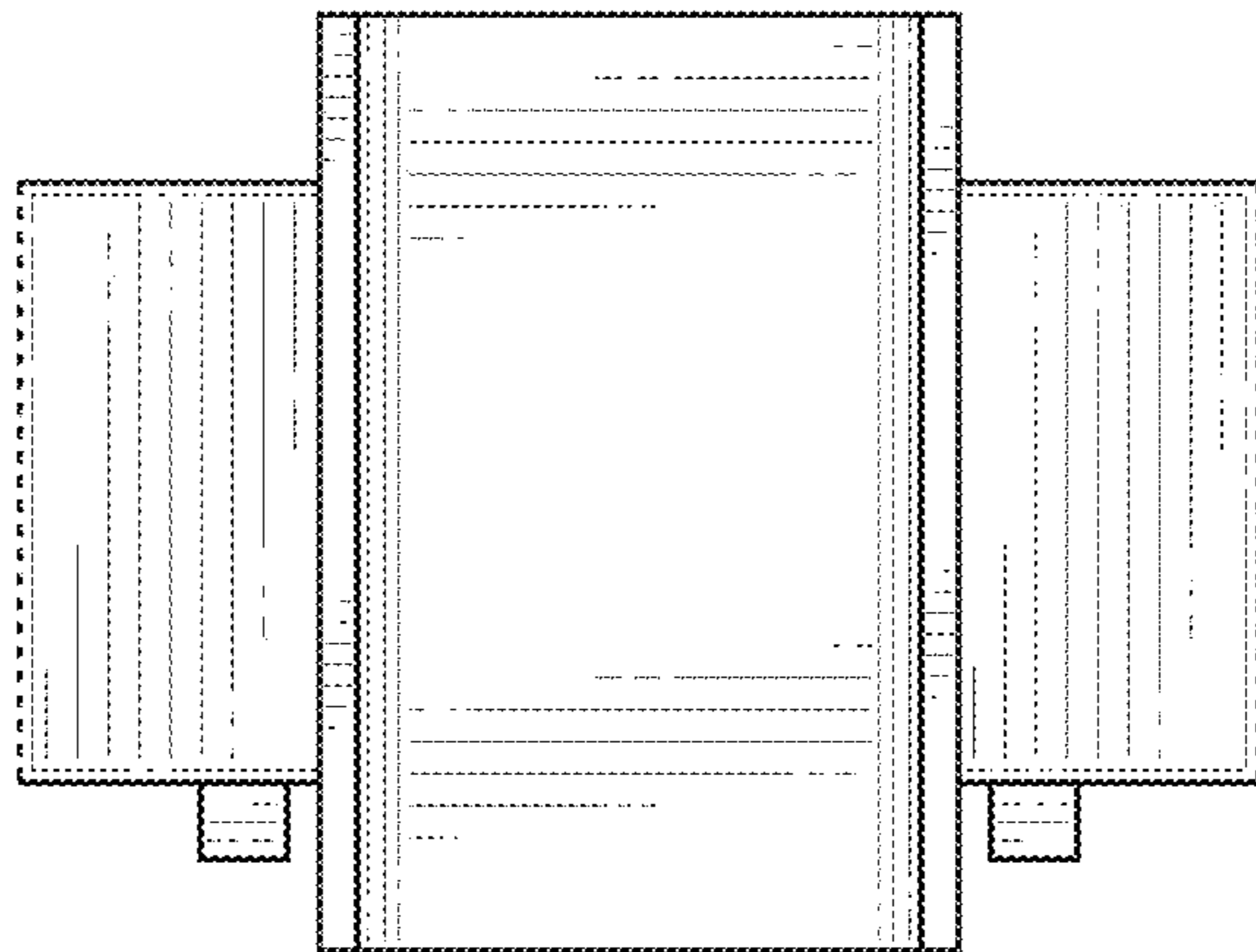


FIG. 7