



US00D897178S

(12) **United States Design Patent** (10) **Patent No.:** **US D897,178 S**
Hasenmayer et al. (45) **Date of Patent:** **** Sep. 29, 2020**

(54) **HAMMER DRILL**
(71) Applicant: **Robert Bosch GmbH**, Stuttgart (DE)
(72) Inventors: **Vincent Hasenmayer**,
Stuttgart-Möhringen (DE); **Vlada**
Nikolic, Esslingen am Neckar (DE)
(73) Assignee: **Robert Bosch GmbH**, Stuttgart (DE)
(**) Term: **15 Years**

D740,636 S * 10/2015 Koeniger D8/69
D762,435 S * 8/2016 Itoh D8/69
D815,933 S * 4/2018 Koeniger D8/69
9,950,419 B2 * 4/2018 Rompel B25D 16/00
D830,808 S * 10/2018 Tamura D8/69
D838,157 S * 1/2019 Suzuki D8/69
D843,189 S * 3/2019 Koniger D8/69
D843,190 S * 3/2019 Koniger D8/69
D851,474 S * 6/2019 Koeniger D8/69
D855,430 S * 8/2019 Koeniger D8/69
2014/0318821 A1 * 10/2014 Wyler B25D 11/125
173/104

(21) Appl. No.: **29/688,913**

(22) Filed: **Apr. 25, 2019**

(30) **Foreign Application Priority Data**

Dec. 11, 2018 (EM) 005880531

(51) **LOC (12) Cl.** **08-05**

(52) **U.S. Cl.**
USPC **D8/69**

(58) **Field of Classification Search**
USPC D8/14.1, 61-70
CPC B25D 16/00; B25D 17/02; B25D 11/125
See application file for complete search history.

(56) **References Cited**

U.S. PATENT DOCUMENTS

D524,626 S * 7/2006 Stirm D8/69
D527,601 S * 9/2006 Stirm D8/69
D535,537 S * 1/2007 Aglassinger D8/69
D540,642 S * 4/2007 Stirm D8/69
D543,082 S * 5/2007 Stirm D8/69
D575,606 S * 8/2008 Okouchi D8/69
D581,235 S * 11/2008 Aglassinger D8/69
D663,183 S * 7/2012 Sell D8/69
D676,731 S * 2/2013 Aglassinger D8/69
8,430,181 B2 * 4/2013 Stirm B25D 16/003
173/47
D691,011 S * 10/2013 Walz D8/68
D695,086 S * 12/2013 Walz D8/68

* cited by examiner

Primary Examiner — Darlington Ly

(74) *Attorney, Agent, or Firm* — Maginot, Moore & Beck
LLP

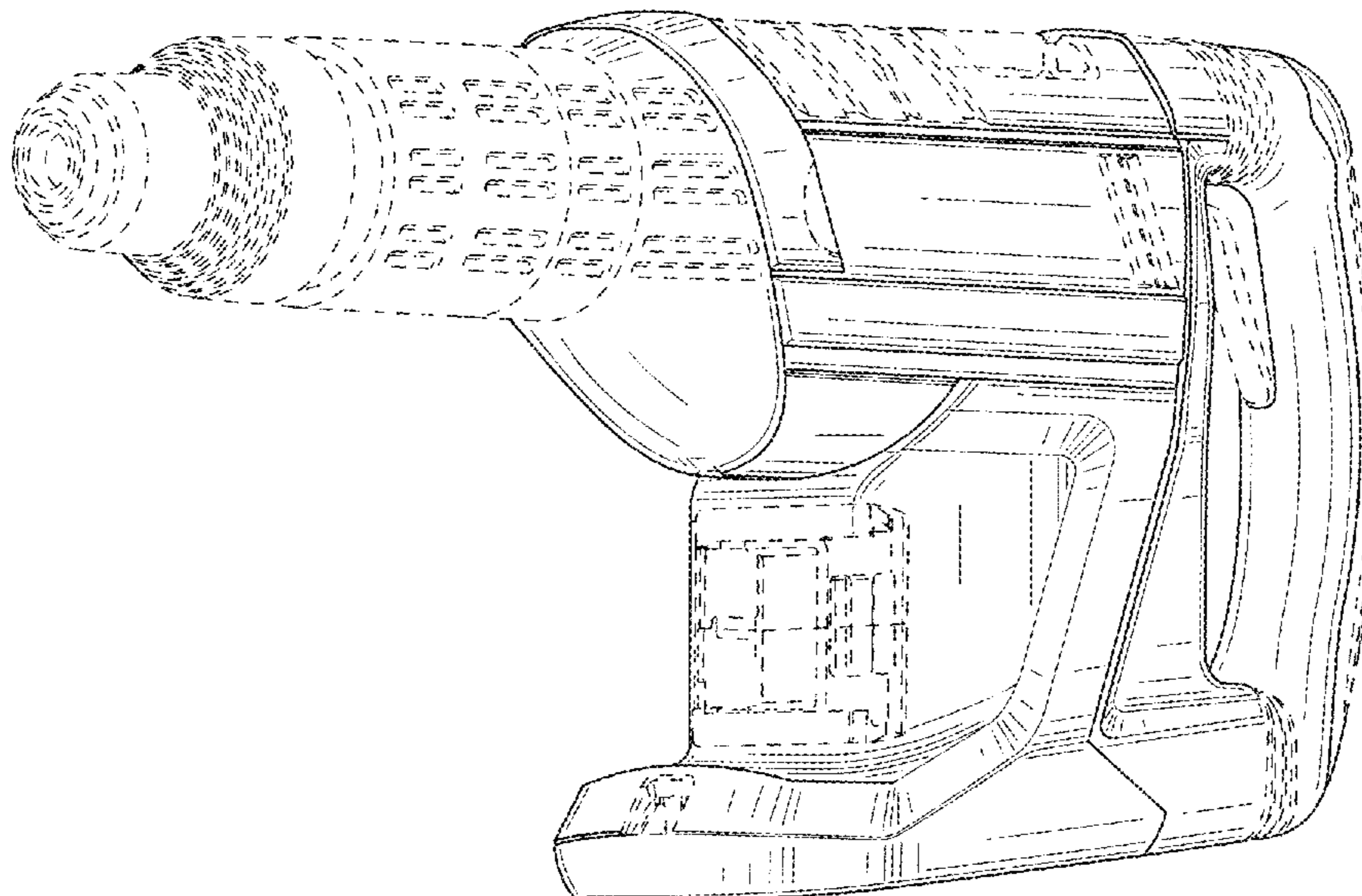
(57) **CLAIM**

The ornamental design for a hammer drill, as shown and described.

DESCRIPTION

Cross reference is made to copending U.S. design patent application Ser. No. 29/688,912 entitled "Power Tool" by Hasenmayer et al., which was filed on even date herewith. FIG. 1 is a front and left side perspective view of a hammer drill showing my new design; FIG. 2 is a front elevation view thereof; FIG. 3 is a rear elevation view thereof; FIG. 4 is a left side elevation view thereof; FIG. 5 is a right side elevation view thereof; FIG. 6 is a top plan view thereof; and, FIG. 7 is a bottom plan view thereof. The broken lines in the figures illustrate portions of the hammer drill that form no part of the claimed design.

1 Claim, 5 Drawing Sheets



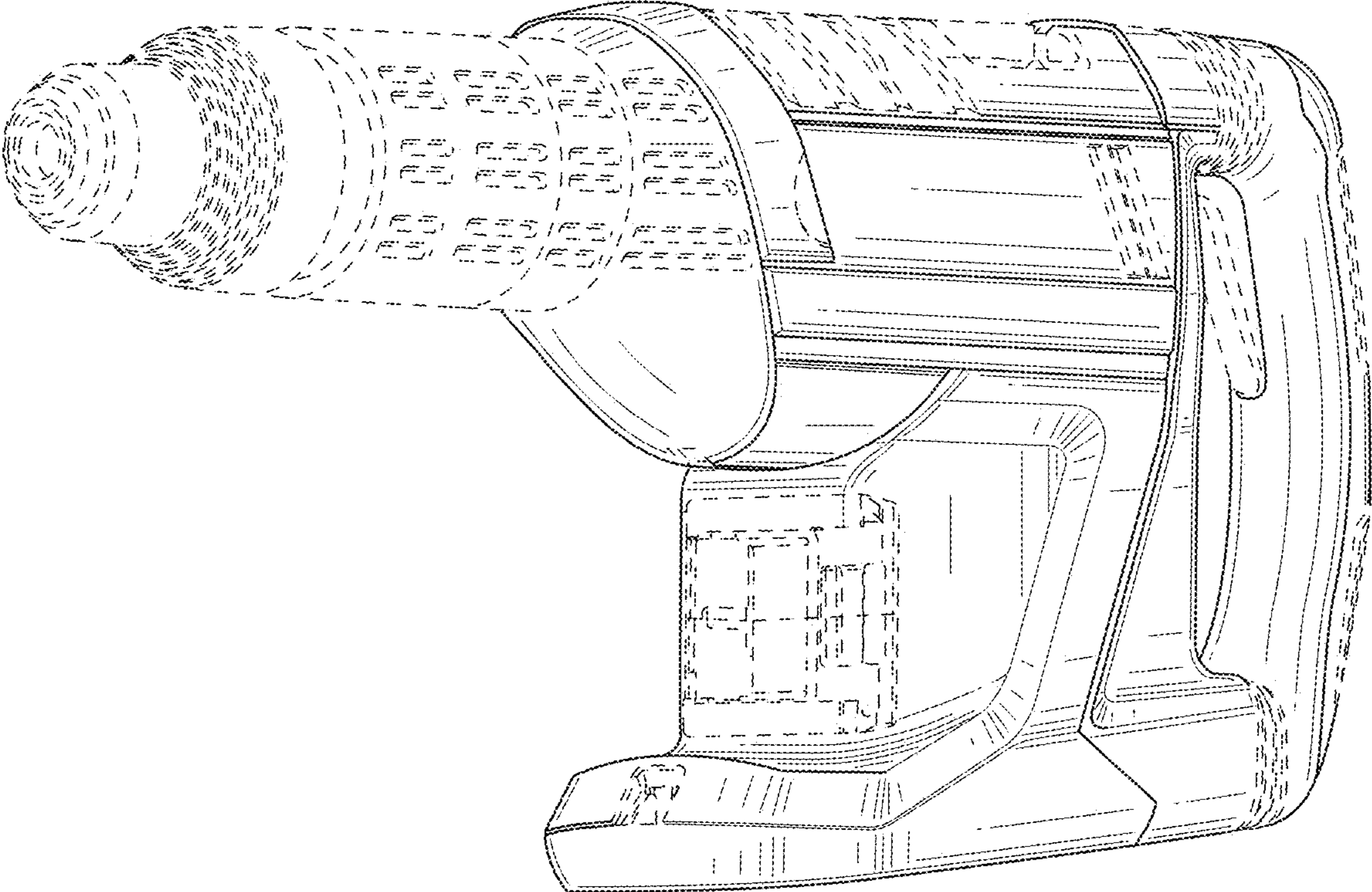


FIG. 1

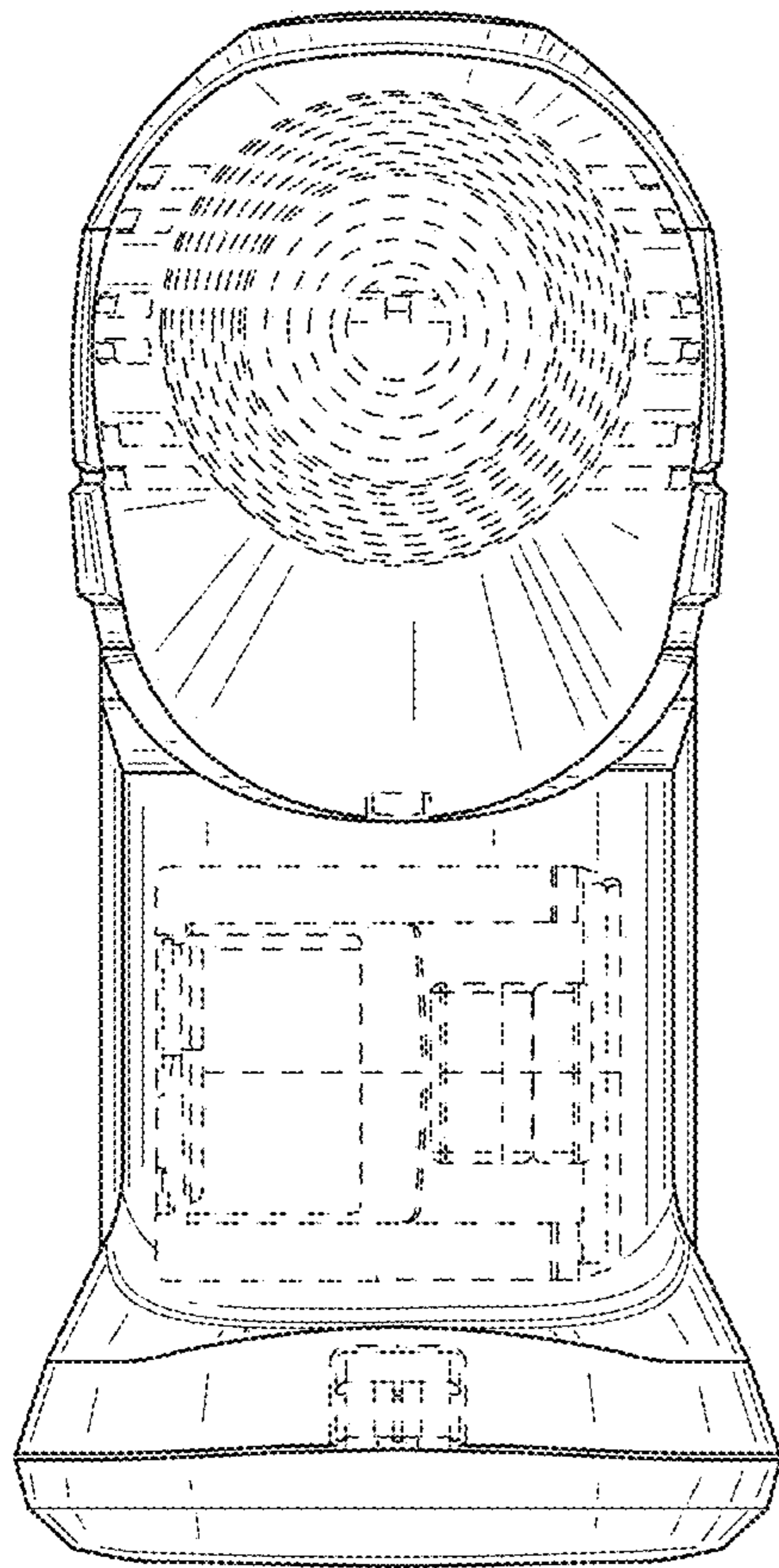


FIG. 2

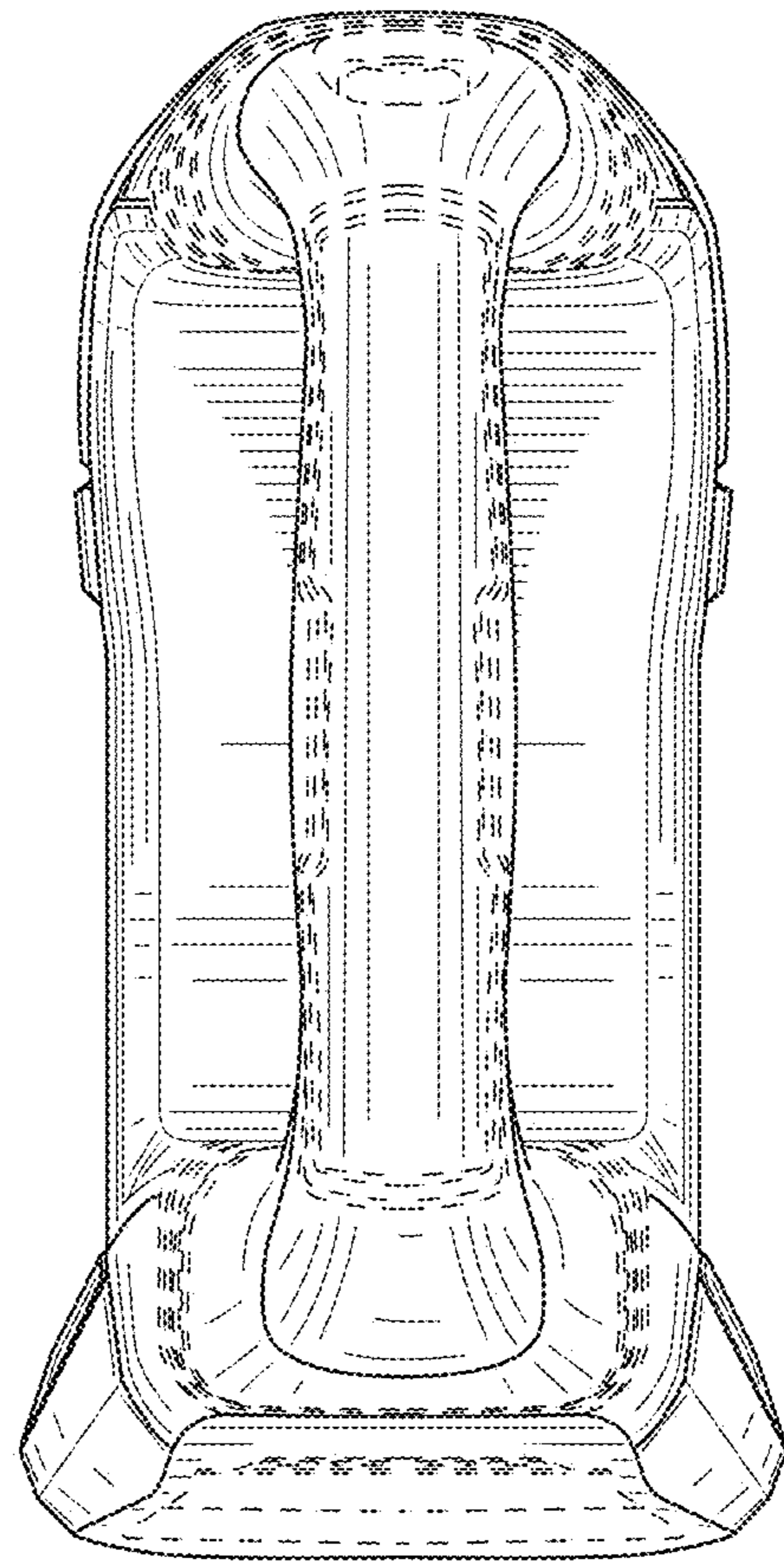


FIG. 3

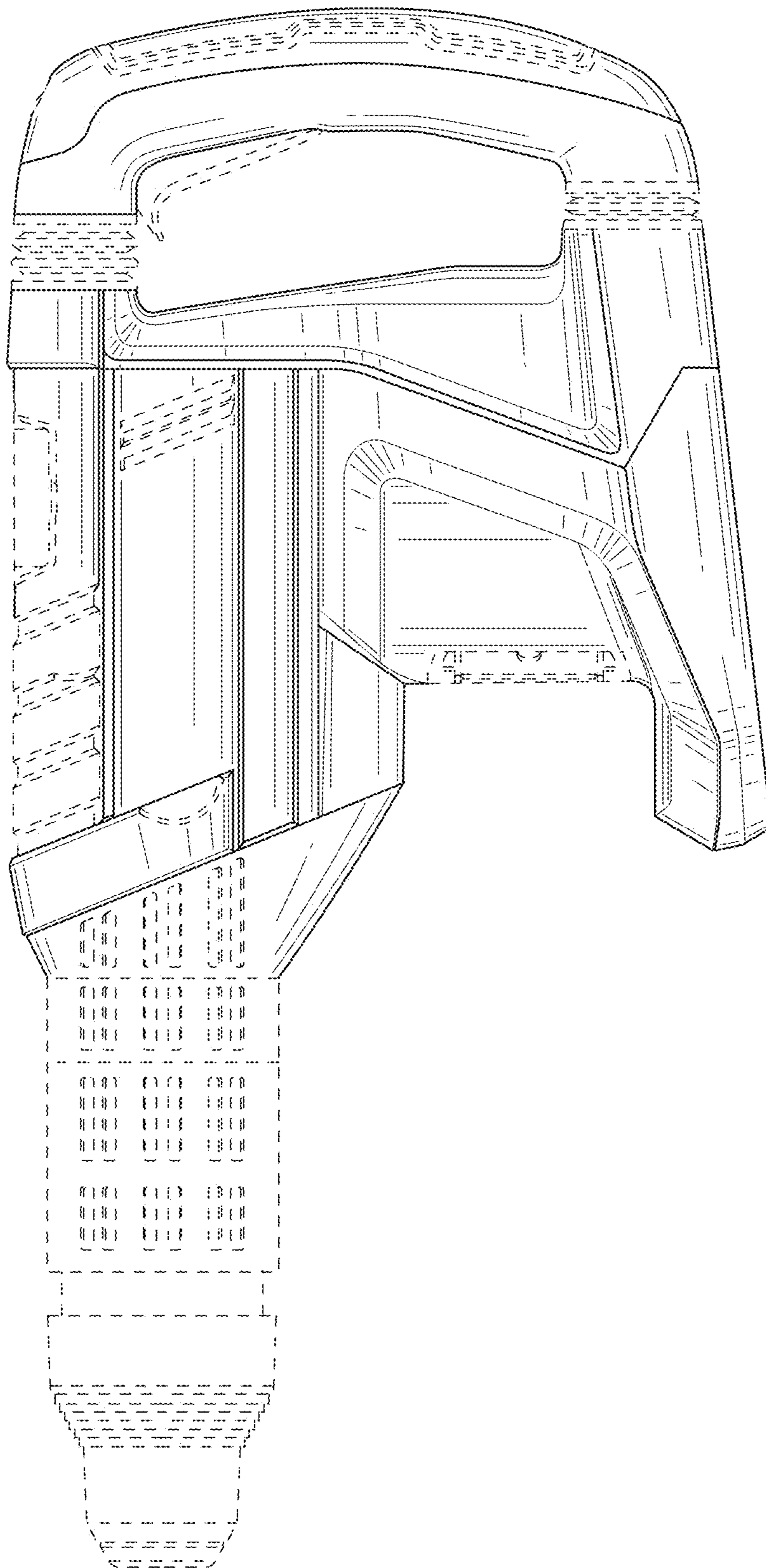


FIG. 4

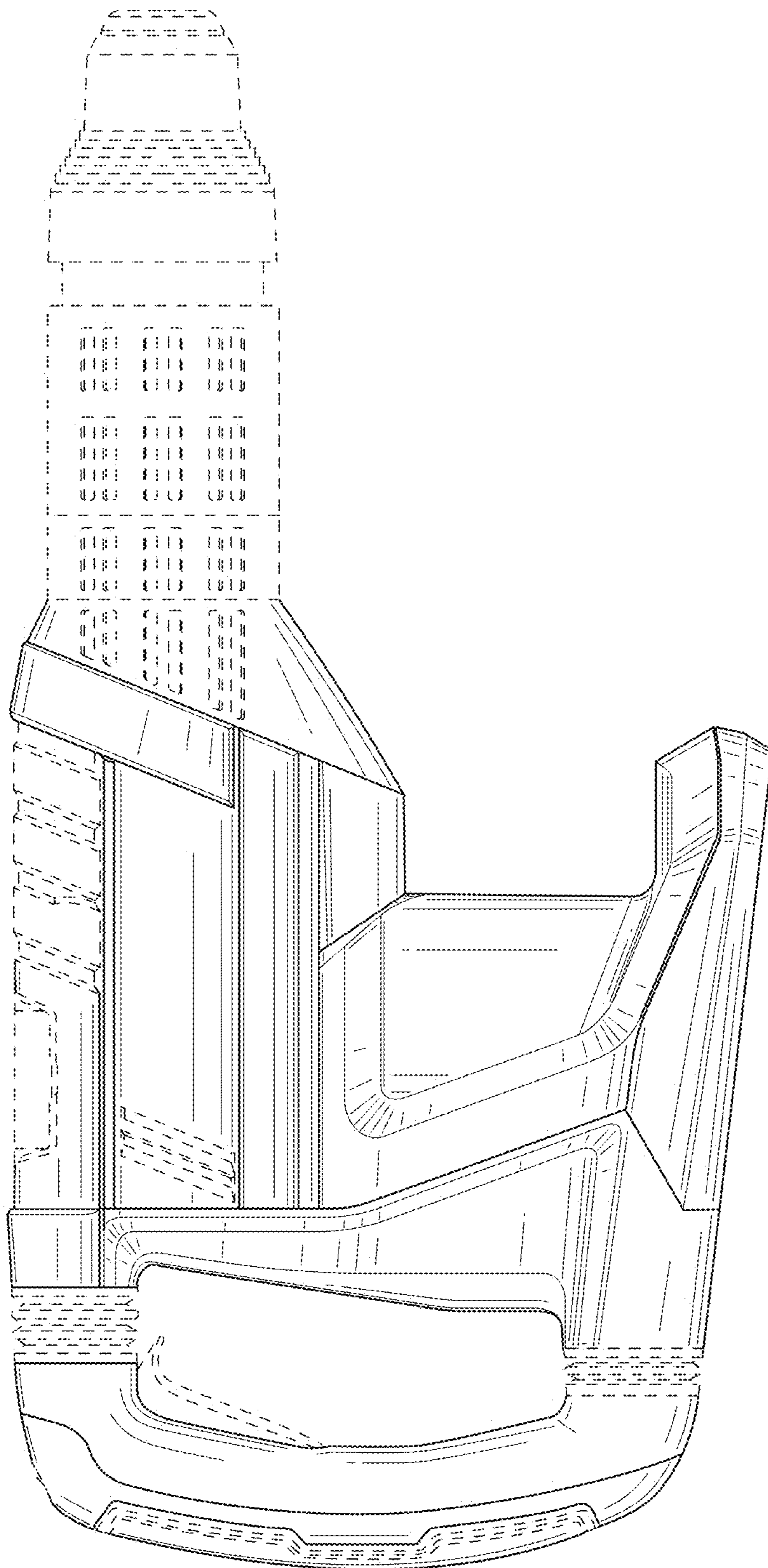


FIG. 5

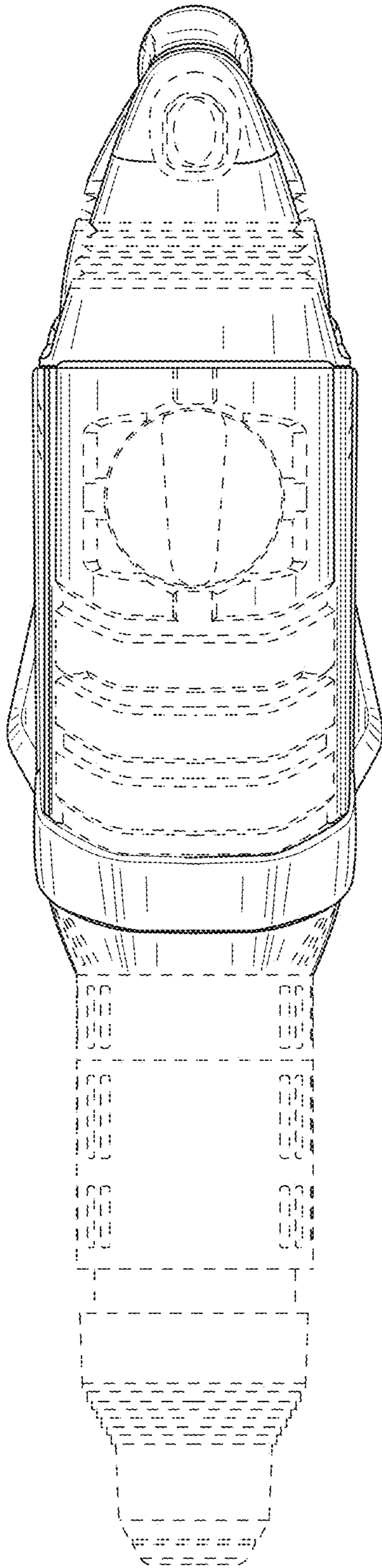


FIG. 6

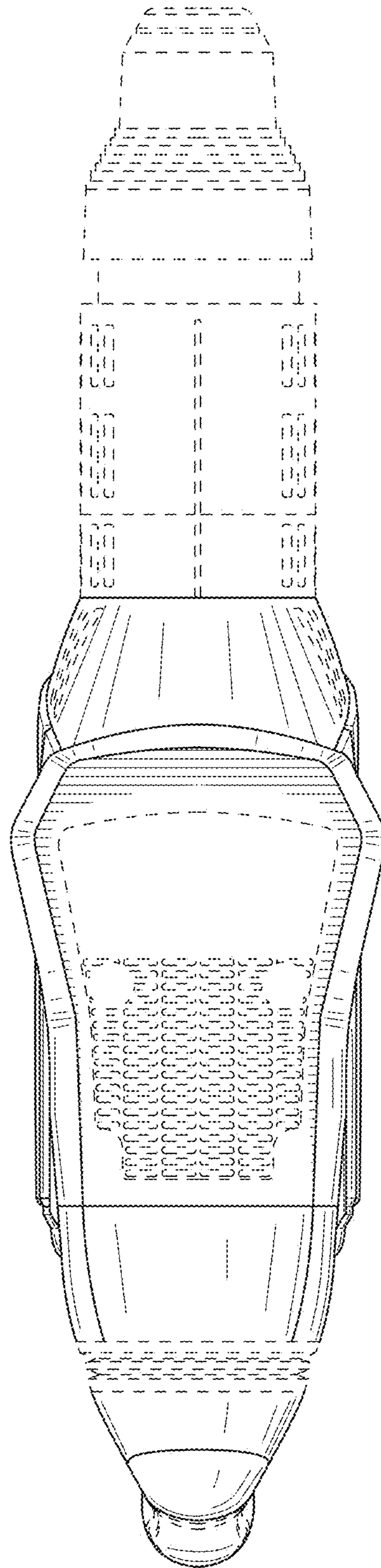


FIG. 7