

US00D897177S

(12) **United States Design Patent** (10) **Patent No.:** **US D897,177 S**  
**Tschopp** (45) **Date of Patent:** **\*\* Sep. 29, 2020**

(54) **POWER DRILL**

(71) Applicant: **BLACK & DECKER INC.**, New Britain, CT (US)

(72) Inventor: **Tylan A. Tschopp**, Baltimore, MD (US)

(73) Assignee: **BLACK & DECKER INC.**, New Britain, CT (US)

(\*\*) Term: **15 Years**

(21) Appl. No.: **29/686,652**

(22) Filed: **Apr. 5, 2019**

(51) **LOC (12) Cl.** ..... **08-05**

(52) **U.S. Cl.**  
USPC ..... **D8/68**

(58) **Field of Classification Search**  
USPC ..... D8/61, 67, 68  
CPC . B21J 15/043; B21J 15/22; B21J 15/36; B21J 15/326  
See application file for complete search history.

(56) **References Cited**

U.S. PATENT DOCUMENTS

D466,777 S *	12/2002	Watson	.....	D8/68
D466,779 S *	12/2002	Shibata	.....	D8/68
D466,781 S *	12/2002	Matsuoka	.....	D8/68
D508,643 S *	8/2005	Concari	.....	D8/68
D515,377 S *	2/2006	Chung	.....	D8/68
D525,848 S *	8/2006	Kokawa	.....	D8/68
D527,971 S *	9/2006	Kokawa	.....	D8/68
D536,944 S *	2/2007	Tsai	.....	D8/68
D556,002 S *	11/2007	Ino	.....	D8/68
D574,688 S *	8/2008	Yamamoto	.....	D8/68
D628,454 S *	12/2010	Misaki	.....	D8/68

D642,037 S *	7/2011	Miller	.....	D8/68
D646,947 S *	10/2011	Lopano	.....	D8/68
D670,989 S *	11/2012	Kawase	.....	D8/61
D675,500 S *	2/2013	Taniguchi	.....	D8/68
D678,025 S *	3/2013	Naksen	.....	D8/68
D678,744 S *	3/2013	Aoki	.....	D8/68
D679,161 S *	4/2013	Kawase	.....	D8/61
D684,028 S *	6/2013	Costoli	.....	173/90
D685,245 S *	7/2013	Tirone	.....	D8/68
D700,821 S *	3/2014	Tschopp	.....	D8/68
D708,496 S *	7/2014	Zhou	.....	D8/68
2015/0041164 A1 *	2/2015	Sergyeyenko	.....	B25B 23/147 173/1

\* cited by examiner

*Primary Examiner* — Darlington Ly

(74) *Attorney, Agent, or Firm* — Adan Ayala

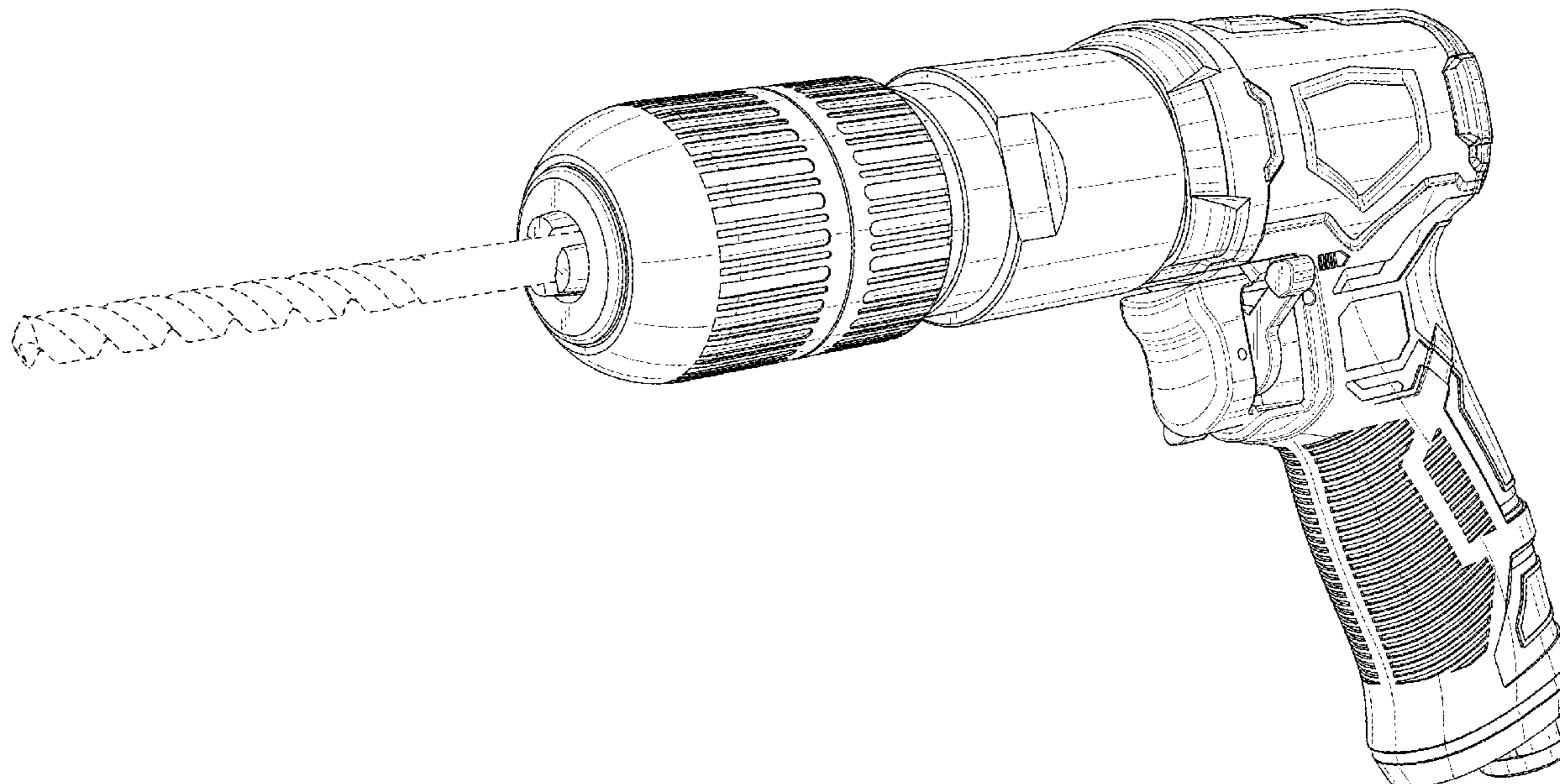
(57) **CLAIM**

The ornamental design for a power drill, as shown and described.

**DESCRIPTION**

FIG. 1 is a front perspective view of a power drill showing my new design;  
 FIG. 2 is a front elevation view thereof;  
 FIG. 3 is a rear elevation view thereof;  
 FIG. 4 is a right side elevation view thereof;  
 FIG. 5 is a left side elevation view thereof;  
 FIG. 6 is a top plan view thereof;  
 FIG. 7 is a bottom plan view thereof; and,  
 FIG. 8 is a rear perspective view thereof.  
 The broken line showing of the drill bit attachment is provided for the purpose of illustrating environmental structure and forms no part of the claimed design.

**1 Claim, 7 Drawing Sheets**



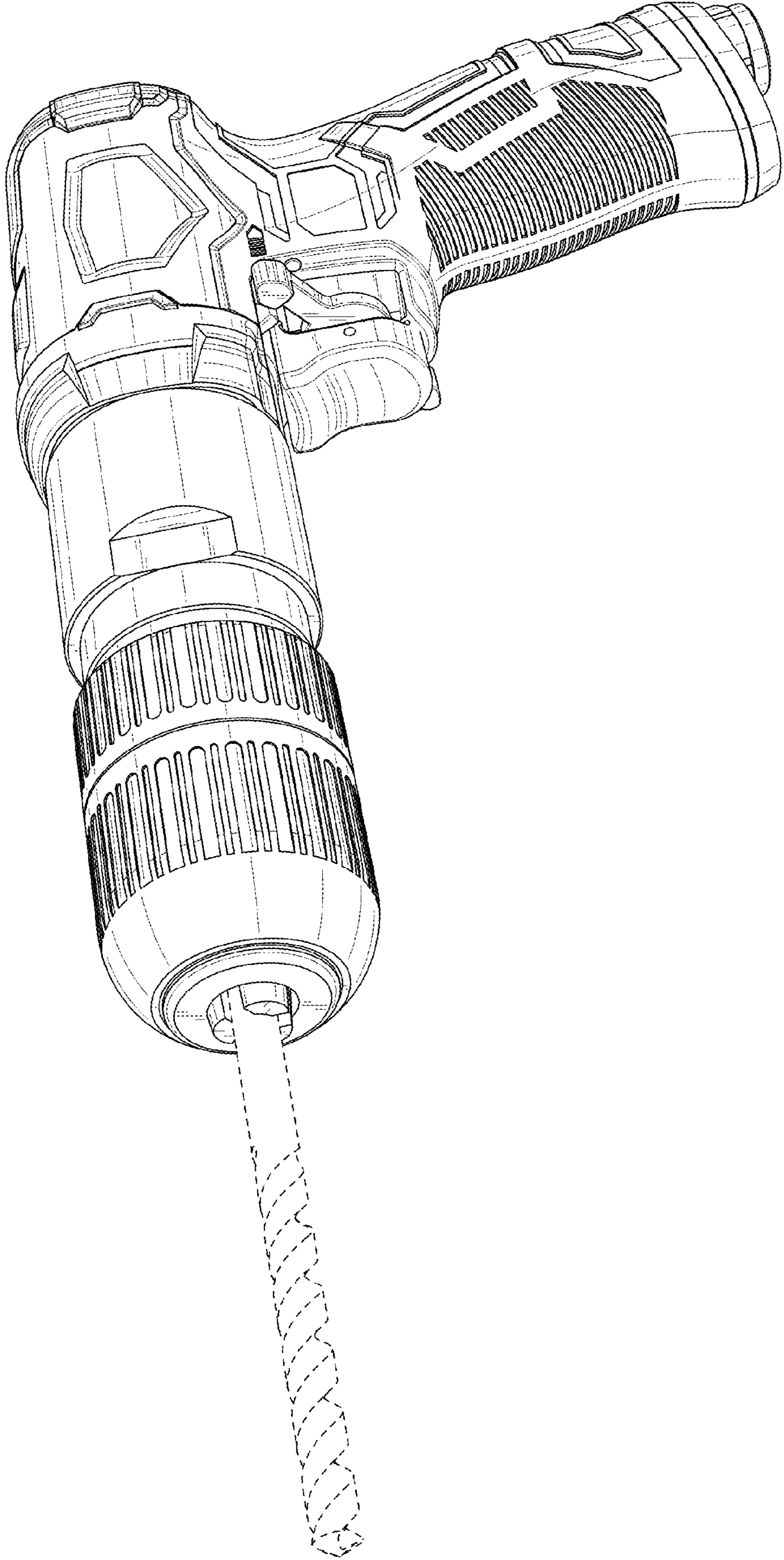


FIG. 1



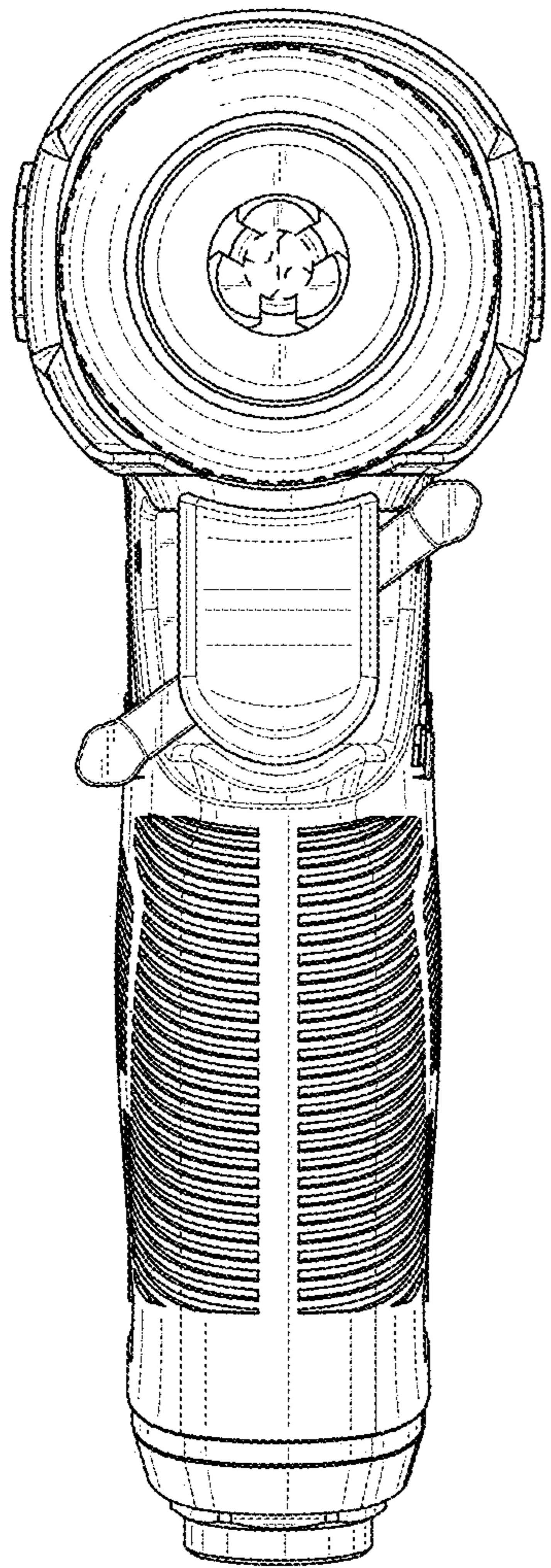


FIG. 2

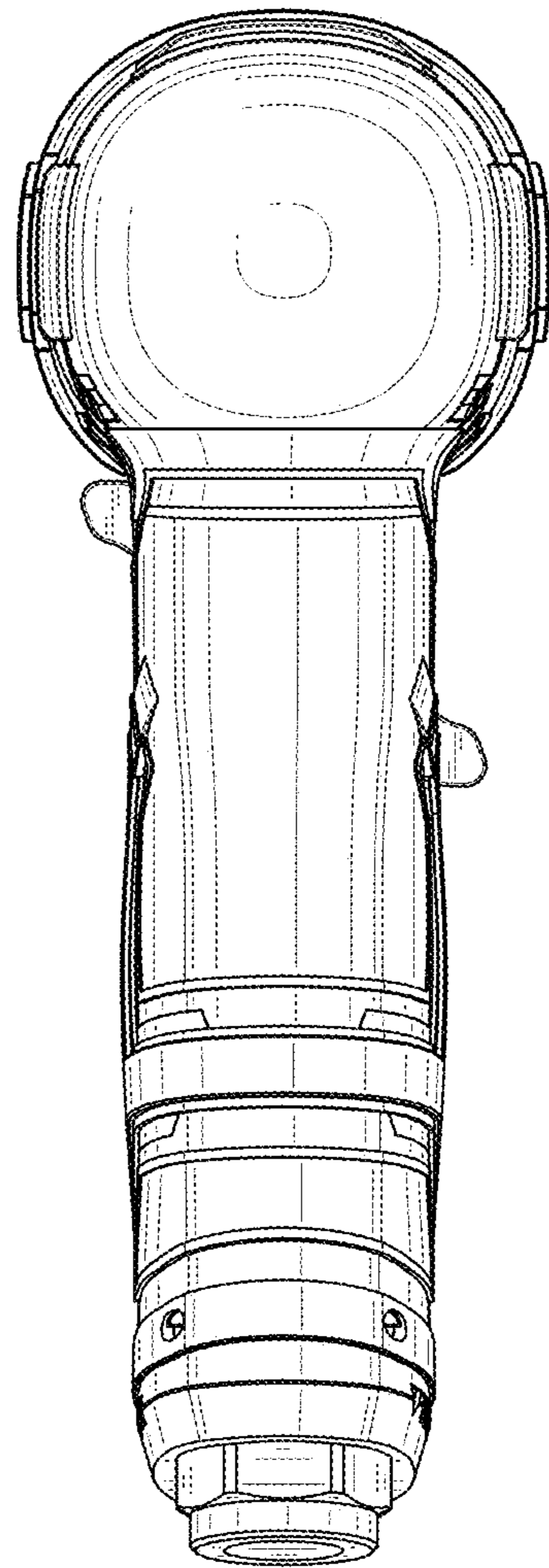


FIG. 3

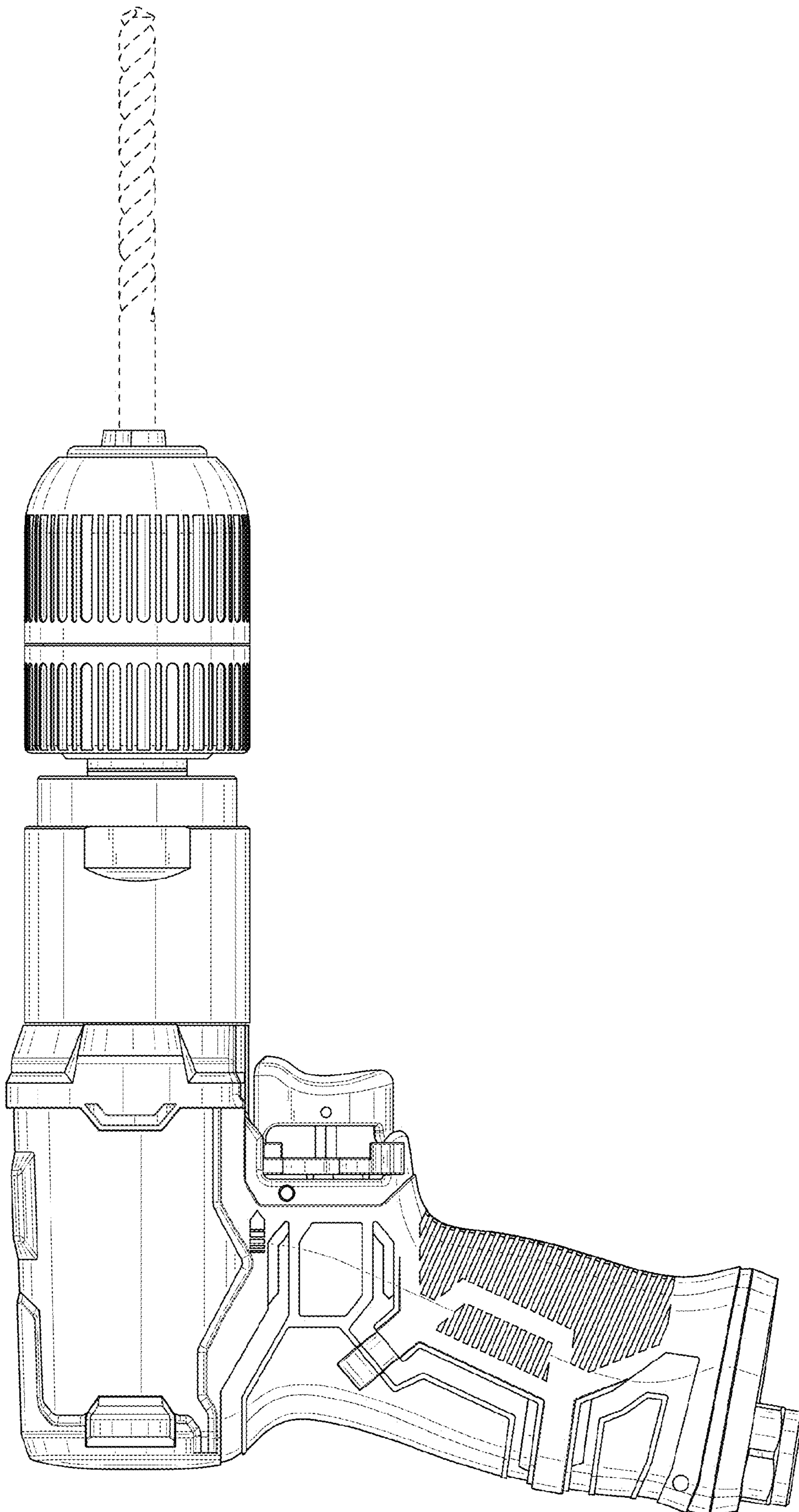


FIG. 4

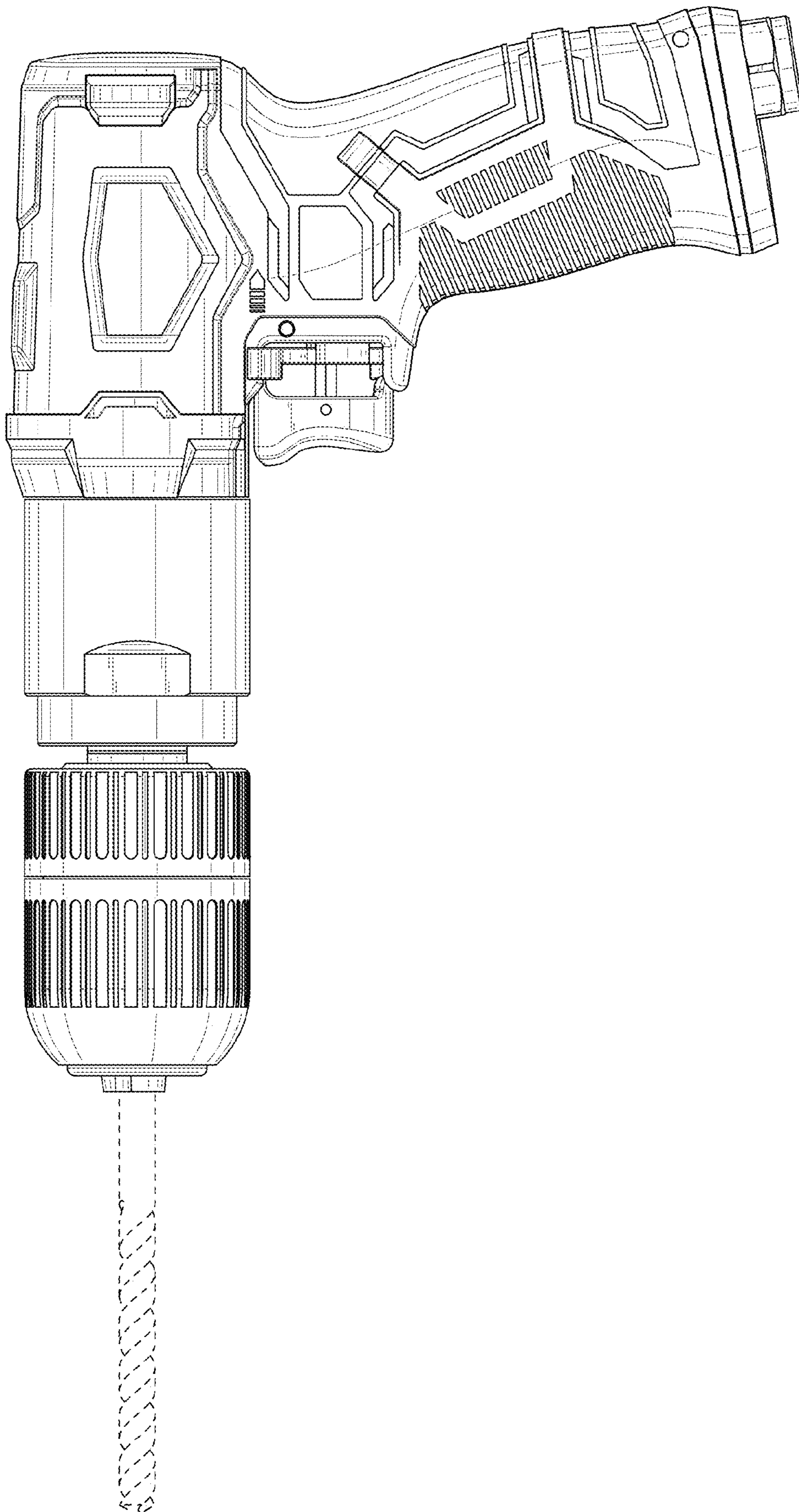


FIG. 5



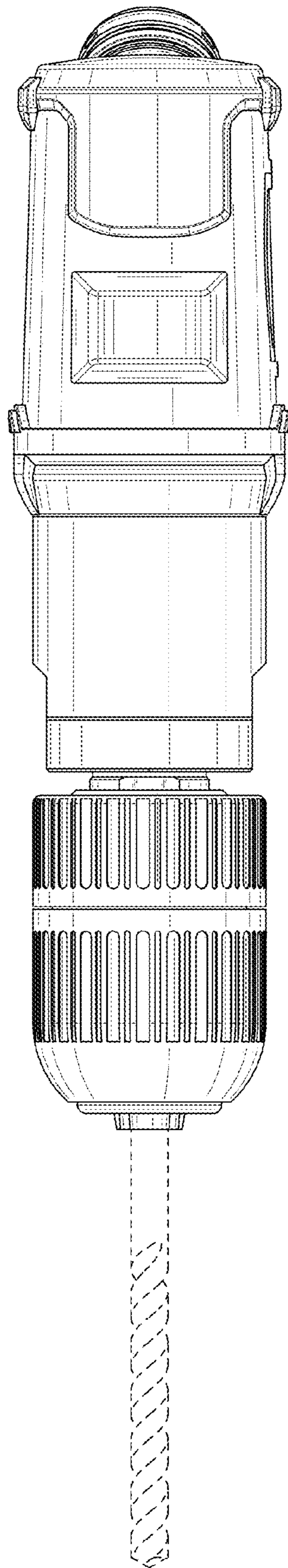


FIG. 6

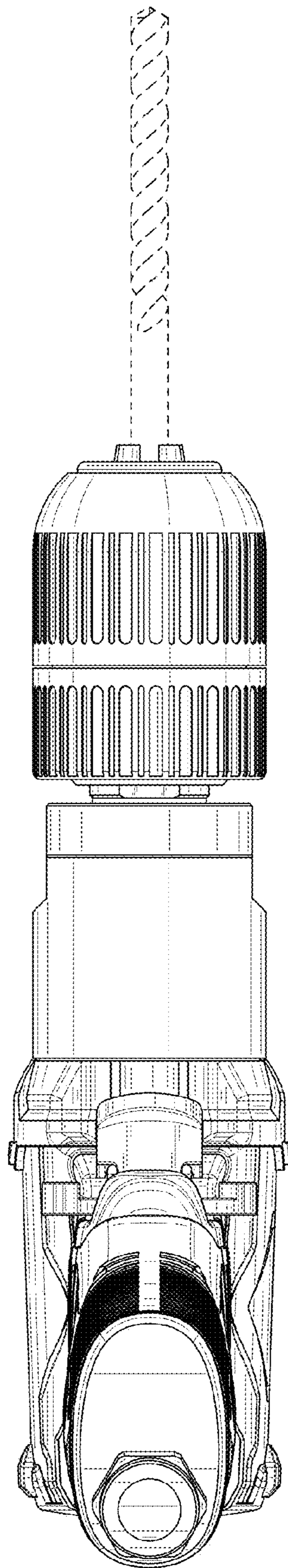


FIG. 7

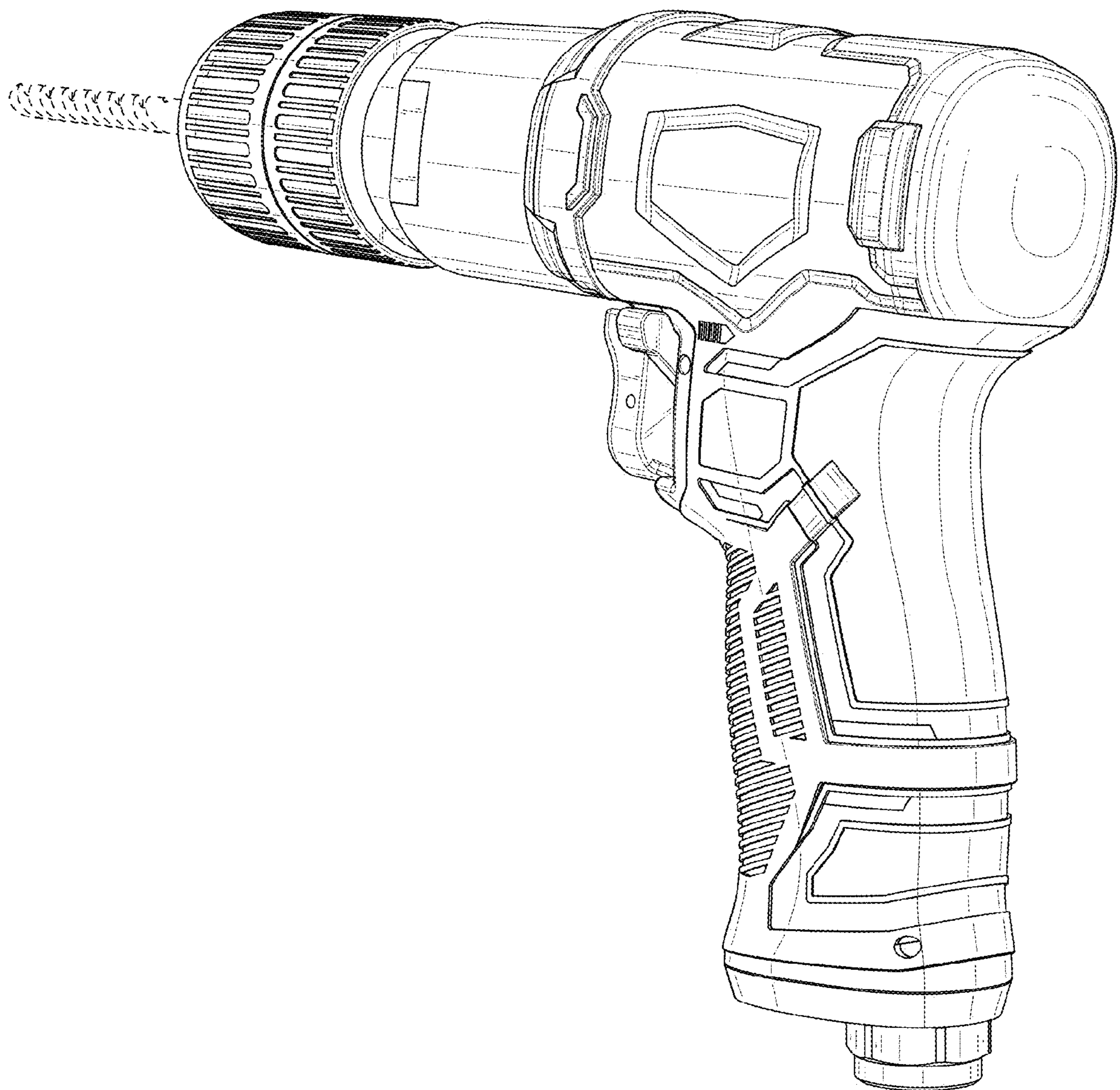


FIG. 8