



US00D897175S

(12) **United States Design Patent** (10) **Patent No.:** **US D897,175 S**  
**Kuang et al.** (45) **Date of Patent:** **\*\* Sep. 29, 2020**

(54) **CHAINSAW**  
(71) Applicant: **Changzhou Globe Co., Ltd.**,  
Changzhou, Jiangsu (CN)  
(72) Inventors: **Jie Kuang**, Changzhou (CN); **Song Zhang**, Changzhou (CN)  
(73) Assignee: **Globe (Jiangsu) Co., Ltd.**, Changzhou,  
Jiangsu (CN)

(\*\*) Term: **15 Years**  
(21) Appl. No.: **29/644,551**  
(22) Filed: **Apr. 18, 2018**

(30) **Foreign Application Priority Data**  
Oct. 18, 2017 (CN) ..... 2017 3 0496703  
Oct. 18, 2017 (CN) ..... 2017 3 0497087

(51) **LOC (12) Cl.** ..... **08-03**  
(52) **U.S. Cl.**  
USPC ..... **D8/65**

(58) **Field of Classification Search**  
USPC ..... D8/65; D15/133  
CPC ..... B27B 17/00; B27B 17/02; B27B 17/025;  
B27B 17/04; B27B 17/0008; B27B 17/14;  
A01G 3/00; A01G 3/053; A01G 3/0535;  
A01G 3/062; A01G 3/067; B25F 5/02;  
B23D 57/02; B23D 57/023  
See application file for complete search history.

(56) **References Cited**  
U.S. PATENT DOCUMENTS

D560,456 S 1/2008 Gieske et al.  
D606,829 S \* 12/2009 Tinius ..... D8/65  
D640,111 S \* 6/2011 Tinius ..... D8/65  
D641,603 S \* 7/2011 Tinius ..... D8/65  
D651,497 S \* 1/2012 Worsnop ..... D8/65  
D658,959 S \* 5/2012 Landberg ..... D8/65

D663,182 S 7/2012 Schoening et al.  
D690,570 S \* 10/2013 Tinius ..... D8/65  
D711,700 S \* 8/2014 Mehra ..... D8/65  
D767,962 S \* 10/2016 Schoch ..... D8/65  
D790,303 S \* 6/2017 Tinius ..... D8/65  
D805,869 S \* 12/2017 Baxter ..... D8/65  
2013/0318802 A1 \* 12/2013 Kapinsky ..... B23D 59/006  
30/383  
2014/0053682 A1 \* 2/2014 Bendien ..... F16P 1/00  
74/612  
2014/0290074 A1 \* 10/2014 Takayanagi ..... B23D 57/023  
30/382

(Continued)

*Primary Examiner* — Sandra Snapp  
*Assistant Examiner* — Ieisha N Price  
(74) *Attorney, Agent, or Firm* — Dorton & Willis, LLP

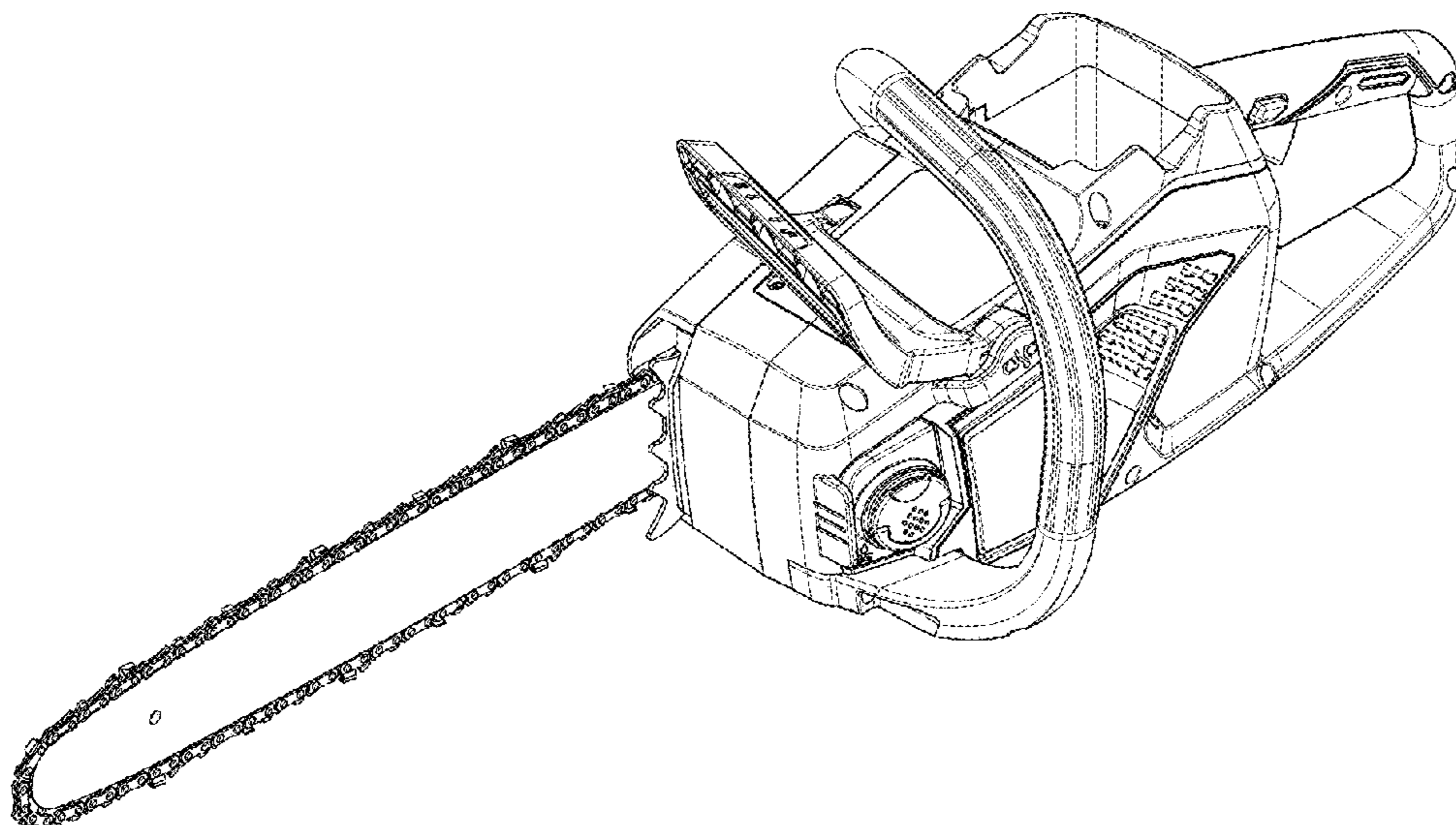
(57) **CLAIM**

The ornamental design for a chainsaw, as shown and described.

**DESCRIPTION**

FIG. 1 is a front isometric view of the chainsaw according to the invention.  
FIG. 2 is a rear isometric view of the chainsaw according to the invention.  
FIG. 3 is a front view of the chainsaw according to the invention.  
FIG. 4 is a right side view of the chainsaw according to the invention.  
FIG. 5 is a rear view of the chainsaw according to the invention.  
FIG. 6 is a left side view of the chainsaw according to the invention.  
FIG. 7 is a top view of the chainsaw according to the invention; and,  
FIG. 8 is a bottom view of the chainsaw according to the invention.  
The broken lines in the drawings illustrate portions of the chainsaw and form no part of the claimed design.

**1 Claim, 8 Drawing Sheets**



(56)

**References Cited**

U.S. PATENT DOCUMENTS

2014/0290076 A1\* 10/2014 Takayanagi ..... B27B 17/14  
30/386  
2017/0259452 A1\* 9/2017 Kachi ..... B25F 5/02  
2018/0186027 A1\* 7/2018 McRoberts ..... B27B 17/00  
2018/0200917 A1\* 7/2018 Kachi ..... B27B 17/0008  
2018/0354153 A1\* 12/2018 Meier ..... B27B 17/0025  
2019/0030746 A1\* 1/2019 Naganuma ..... B27B 17/00  
2019/0061028 A1\* 2/2019 Martinsson ..... B23D 59/008  
2019/0262753 A1\* 8/2019 Miura ..... F02M 35/024  
2019/0344420 A1\* 11/2019 Kawamura ..... B27B 17/0008

\* cited by examiner

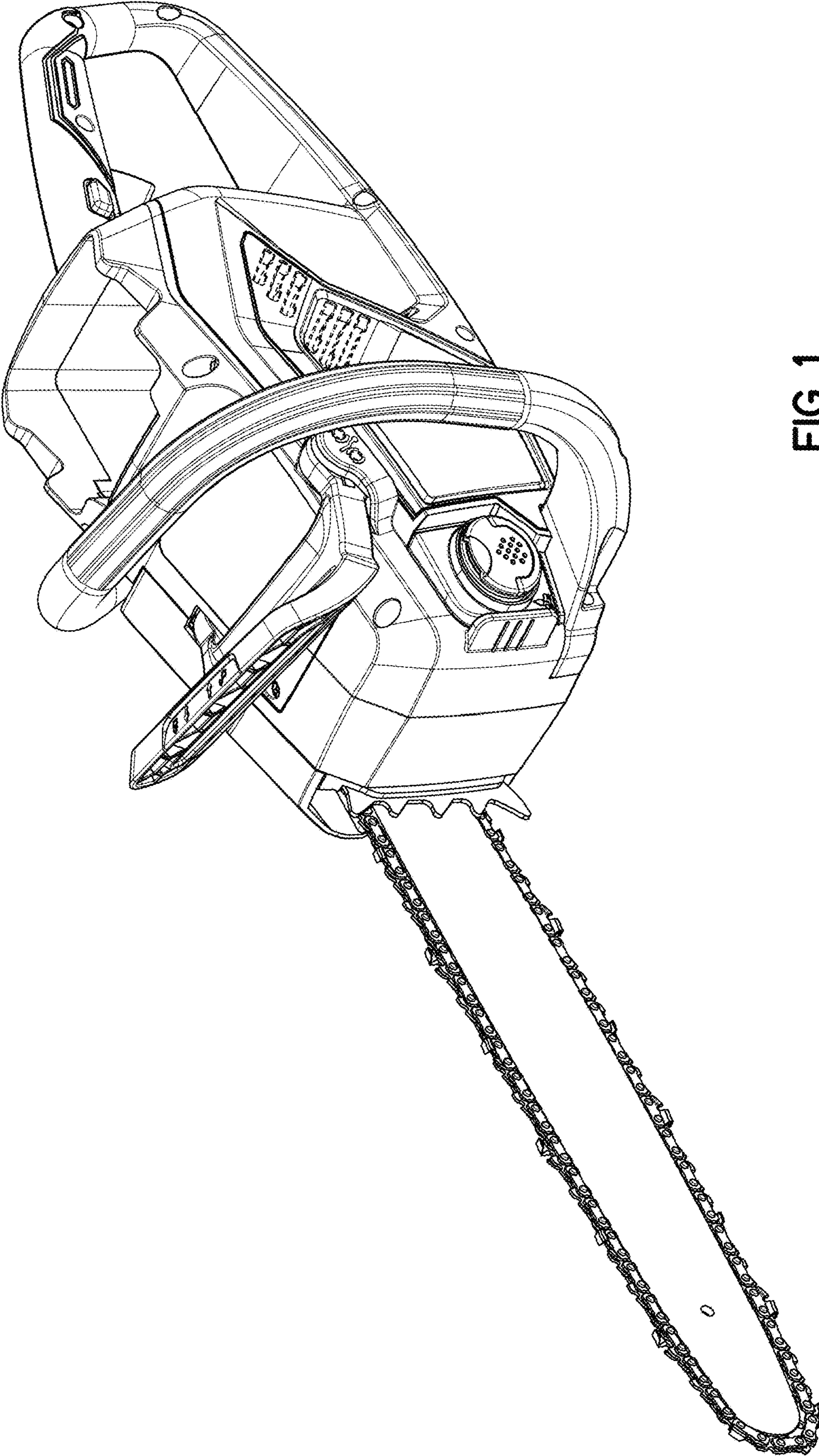


FIG. 1

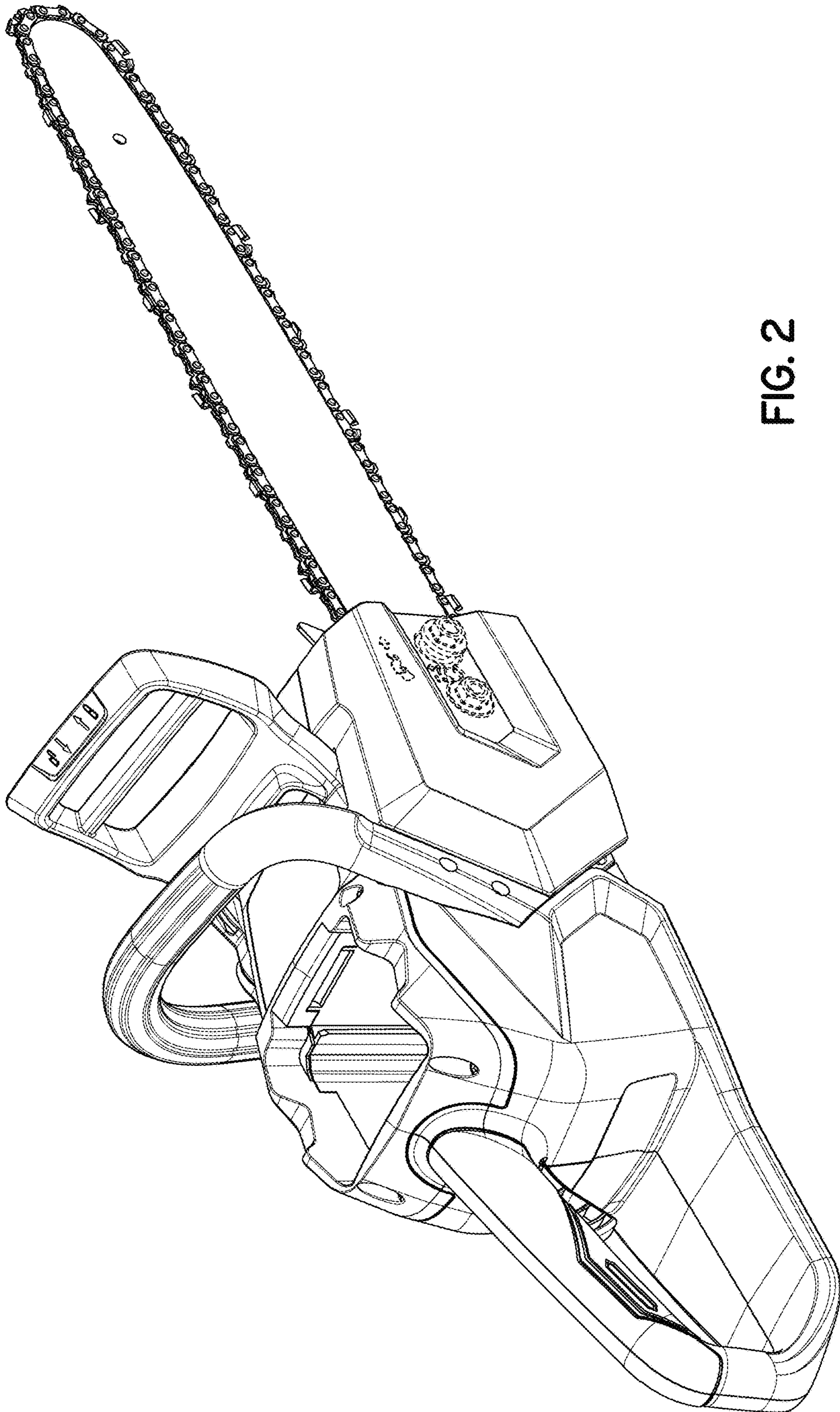


FIG. 2

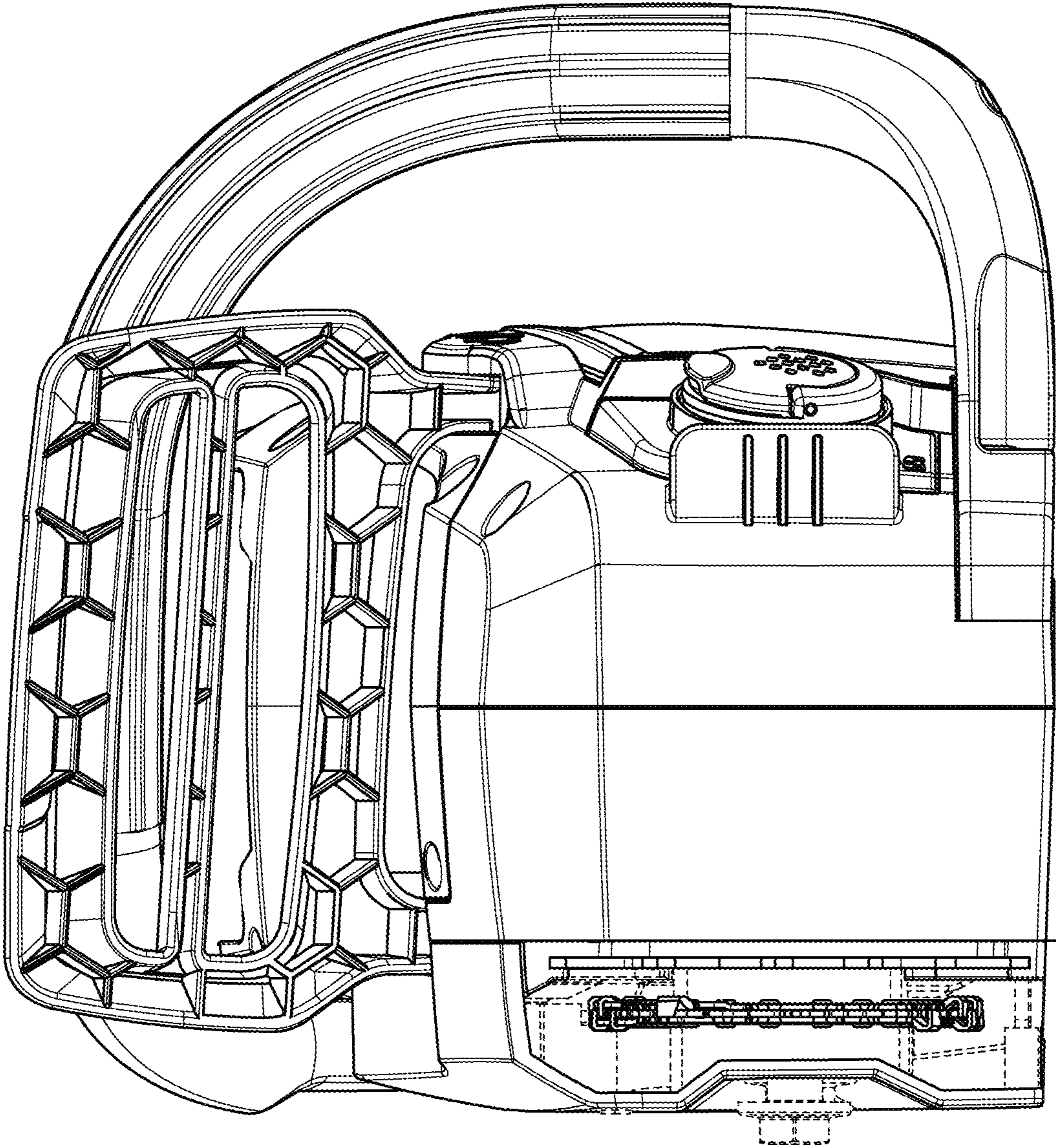


FIG. 3

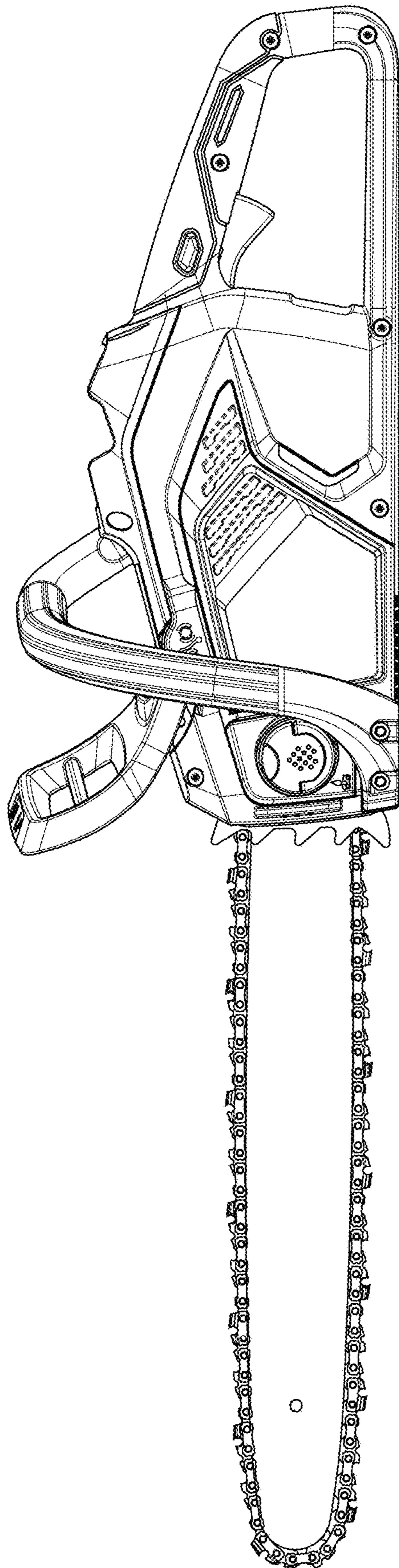


FIG. 4

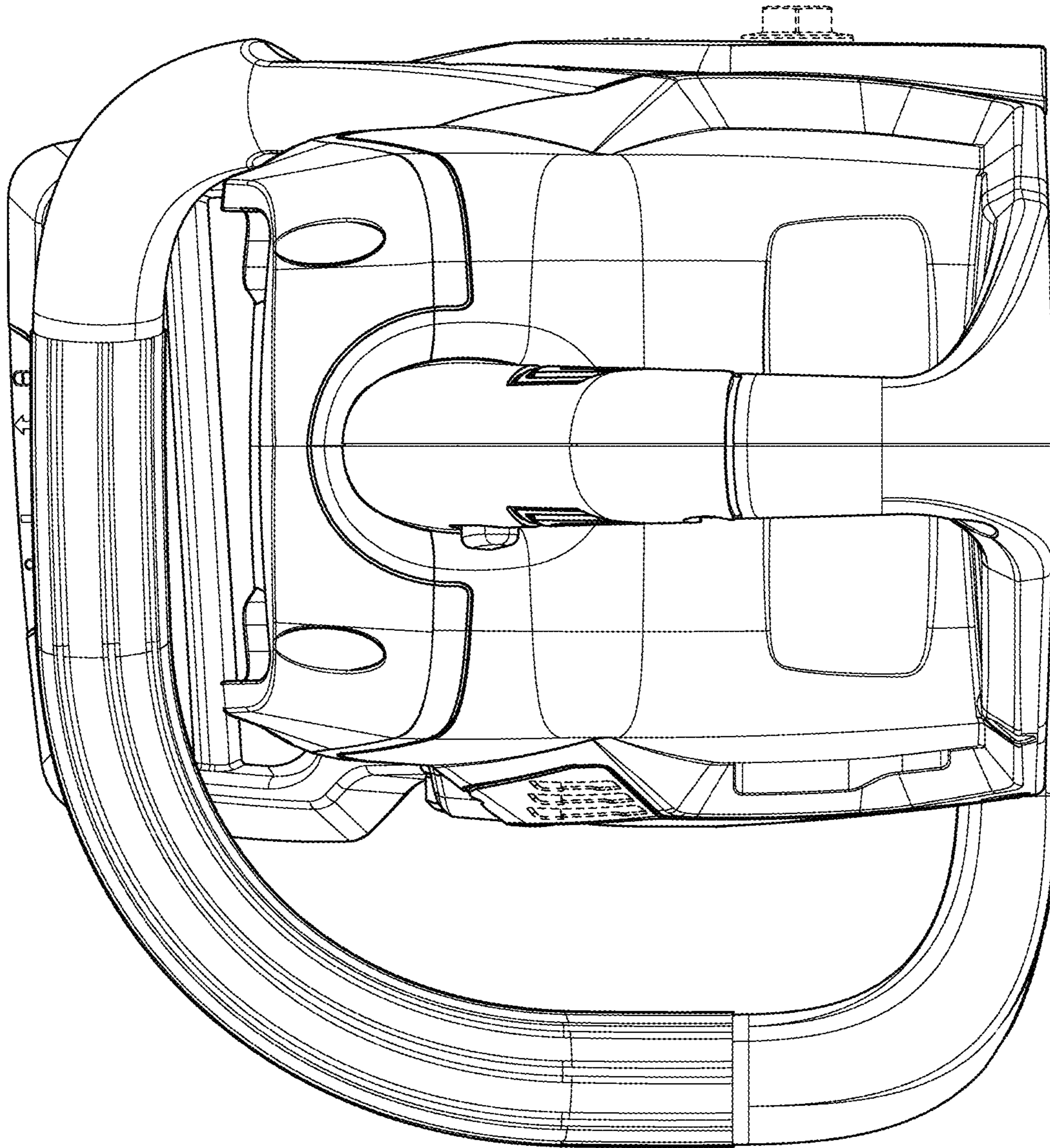


FIG. 5

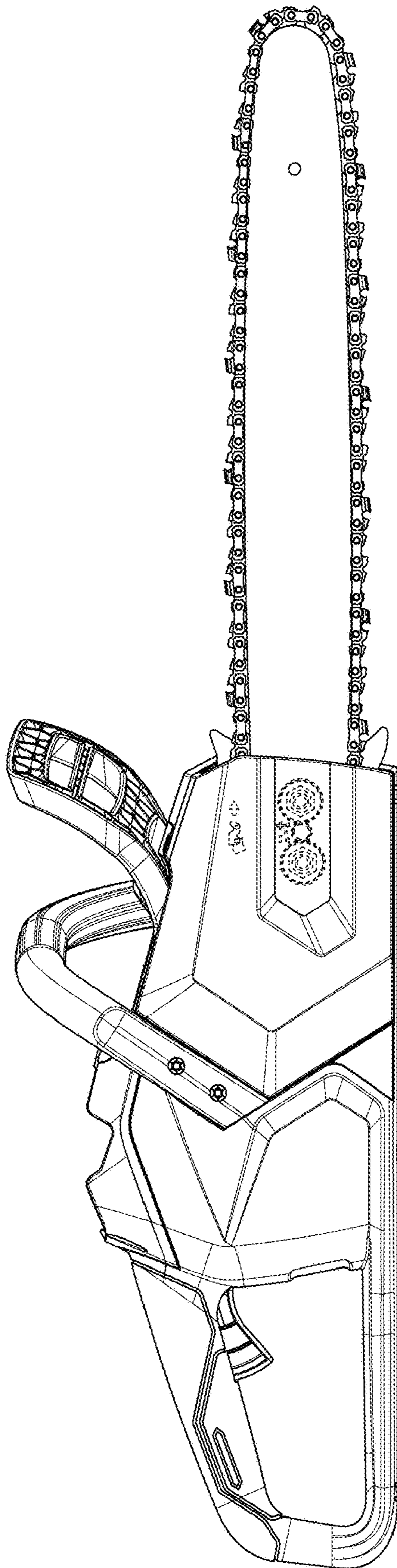


FIG. 6



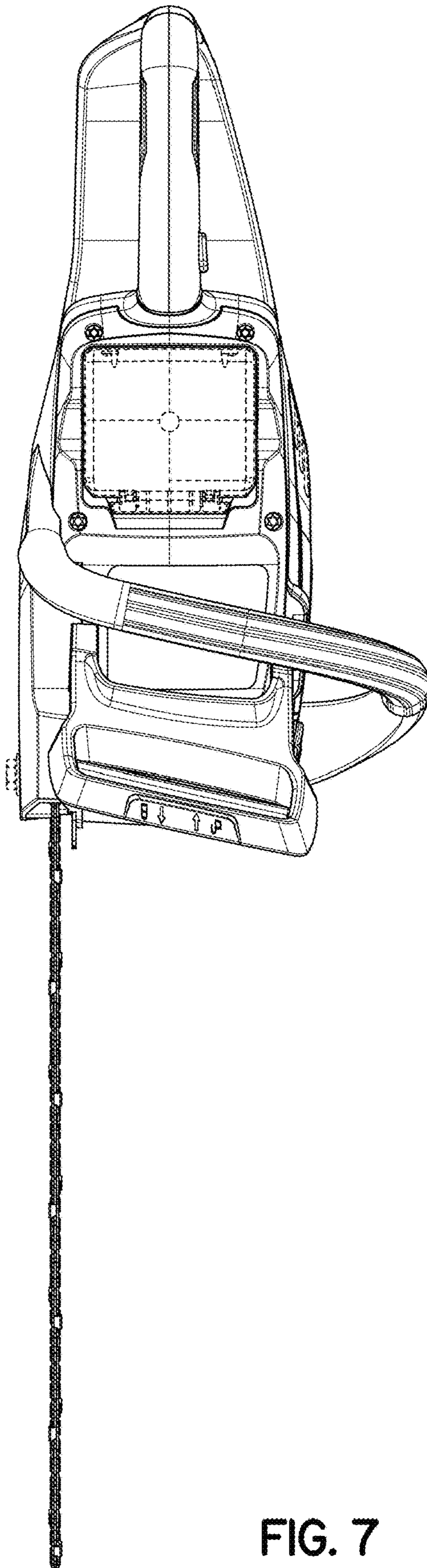


FIG. 7

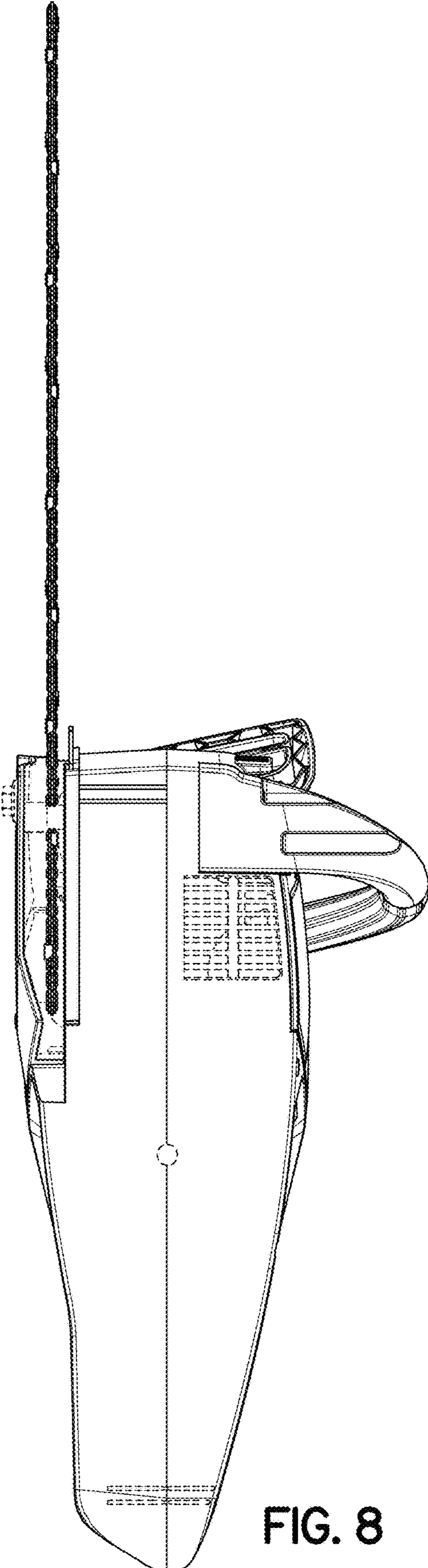


FIG. 8