



US00D897174S

(12) **United States Design Patent** (10) **Patent No.:** **US D897,174 S**  
**Könnecke et al.** (45) **Date of Patent:** **\*\* Sep. 29, 2020**

(54) **HAND-HELD POWER TOOL AND A DISPLAY ON A HAND-HELD POWER TOOL**

(71) Applicant: **GUSTAV KLAUKE GMBH**,  
Remscheid (DE)  
(72) Inventors: **Christoph Könnecke**, Frankfurt (DE);  
**Andreas Lehr**, Neuss (DE); **Egbert Frenken**, Heinsberg (DE); **Roman Bobowicz**, Remscheid (DE); **Torsten Darkow**, Wuppertal (DE); **Alexander Jochem**, Remscheid (DE); **Frank Wilsdorf**, Wermelskirchen (DE); **Jörg Gimmler**, Wipperfürth (DE)

(73) Assignee: **GUSTAV KLAUKE GMBH**,  
Remscheid (DE)

(\*\*) Term: **15 Years**

(21) Appl. No.: **29/666,919**

(22) Filed: **Oct. 17, 2018**

**Related U.S. Application Data**

(62) Division of application No. 29/608,383, filed on Jun. 21, 2017, now Pat. No. Des. 834,908.

(30) **Foreign Application Priority Data**

Dec. 22, 2016 (EM) ..... 001455497

(51) **LOC (12) Cl.** ..... **08-05**

(52) **U.S. Cl.**  
USPC ..... **D8/61**

(58) **Field of Classification Search**  
USPC ..... D8/61, 62, 67, 69; 81/57, 57.11, 57.14,  
81/57.26, 429, 464, 469; 173/2, 170,  
173/176, 181  
CPC ..... B25B 27/10; B25B 27/146; B25B 7/12;  
B25B 7/126; B25B 27/00; B25B 28/00;  
H01R 43/0428

See application file for complete search history.

(56) **References Cited**

U.S. PATENT DOCUMENTS

D657,220 S \* 4/2012 Isobe ..... D8/61  
D657,221 S 4/2012 Isobe et al.  
D673,829 S \* 1/2013 Takeshima ..... D8/61

(Continued)

*Primary Examiner* — Austin Murphy  
(74) *Attorney, Agent, or Firm* — Klintworth & Rozenblat  
IP LLP

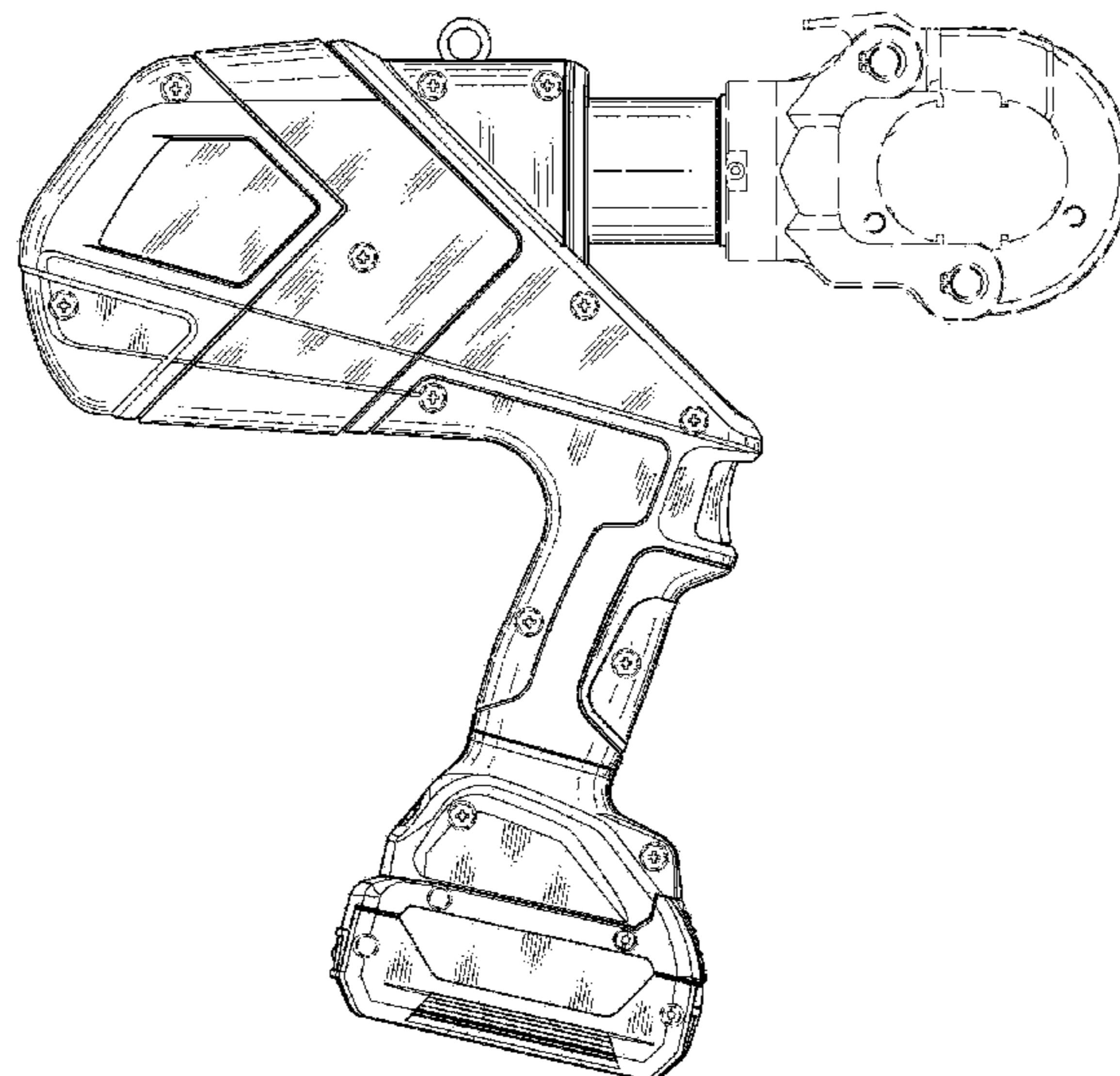
(57) **CLAIM**

The ornamental design for a hand-held power tool and a display on a hand-held power tool, as shown and described.

**DESCRIPTION**

FIG. 1 is a right side elevation view of the tool in accordance with a first embodiment;  
FIG. 2 is a front elevation view of the tool of FIG. 1;  
FIG. 3 is a left side elevation view of the tool of FIG. 1;  
FIG. 4 is a rear elevation view of the tool of FIG. 1;  
FIG. 5 is a top plan view of the tool of FIG. 1;  
FIG. 6 is a bottom plan view of the tool of FIG. 1;  
FIG. 7 is a perspective view of the tool of FIG. 1;  
FIG. 8 is a front elevation view of the display on the tool of the first embodiment;  
FIG. 9 is a right side elevation view of the tool in accordance with a second embodiment;  
FIG. 10 is a front elevation view of the tool of FIG. 9;  
FIG. 11 is a left side elevation view of the tool of FIG. 9;  
FIG. 12 is a rear elevation view of the tool of FIG. 9;  
FIG. 13 is a top plan view of the tool of FIG. 9;  
FIG. 14 is a bottom plan view of the tool of FIG. 9; and,  
FIG. 15 is a perspective view of the tool of FIG. 9.  
The elements shown in broken line in the drawings is for the purpose of showing environmental structure and forms no part of the claimed design.

**1 Claim, 15 Drawing Sheets**



(56)

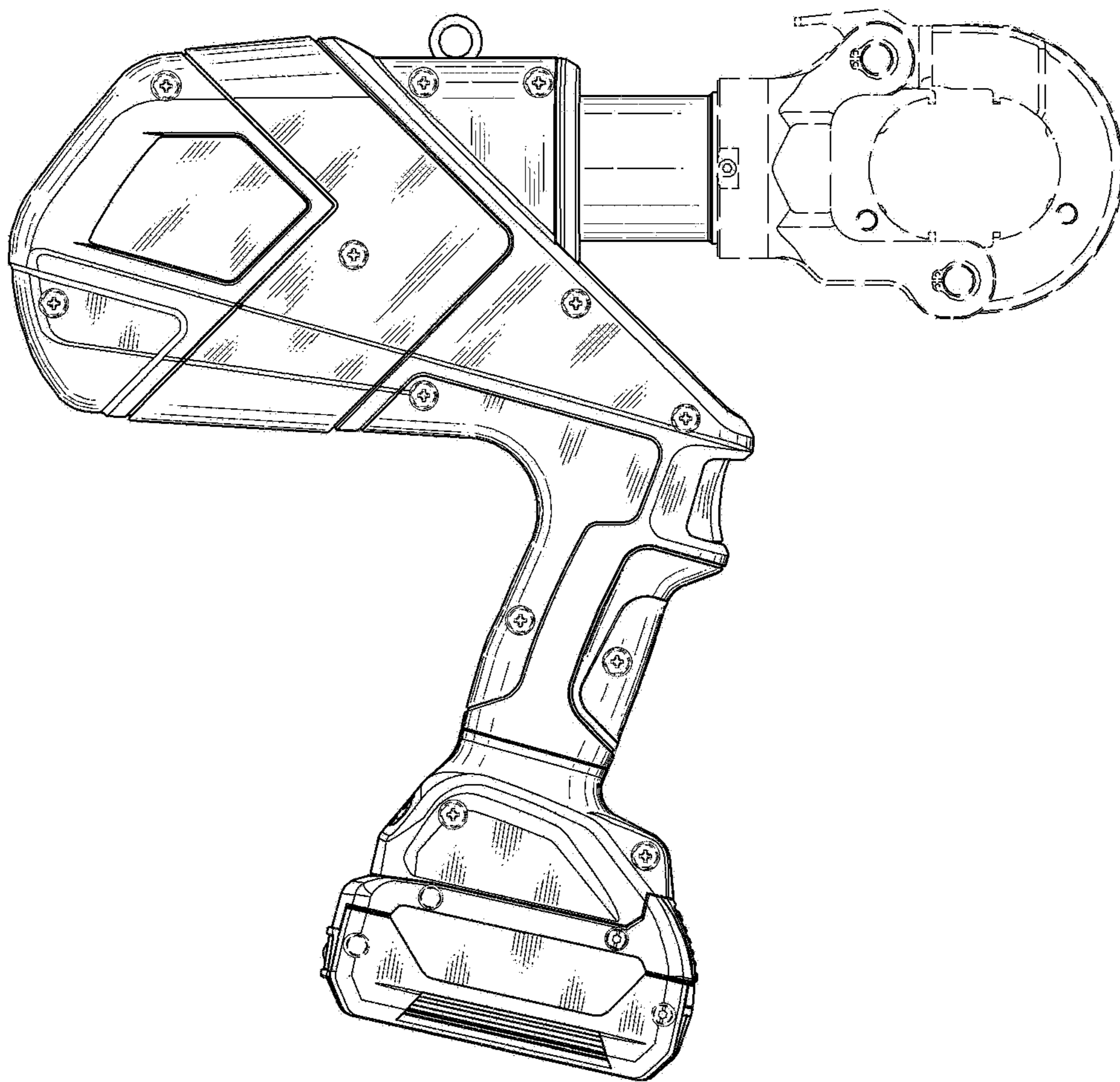
**References Cited**

U.S. PATENT DOCUMENTS

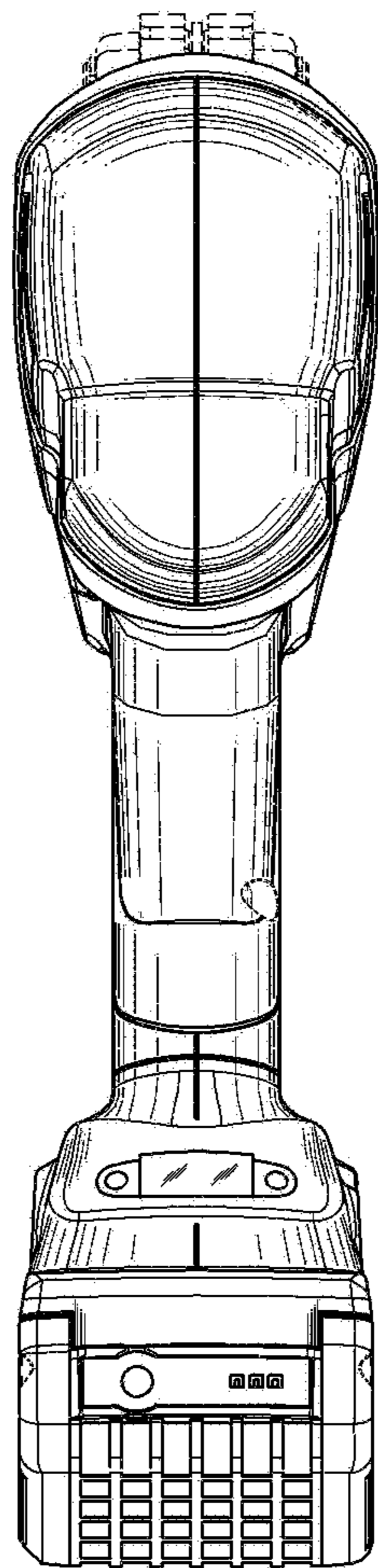
D696,090	S	*	12/2013	Takeshima	.....	D8/61
D709,748	S	*	7/2014	Frenken	.....	D8/61
D710,173	S	*	8/2014	Frenken	.....	D8/61
D734,112	S	*	7/2015	Herault	.....	D8/61
D767,959	S	*	10/2016	Sokat	.....	D8/61
D767,960	S	*	10/2016	Haneishi	.....	D8/61
D774,858	S	*	12/2016	Stucki	.....	D8/61
D779,902	S	*	2/2017	Sokat	.....	D8/61
D834,908	S	*	12/2018	Konnecke	.....	D8/61
D845,729	S	*	4/2019	Kitahara	.....	D8/61
D859,949	S	*	9/2019	Wason	.....	D8/61

\* cited by examiner

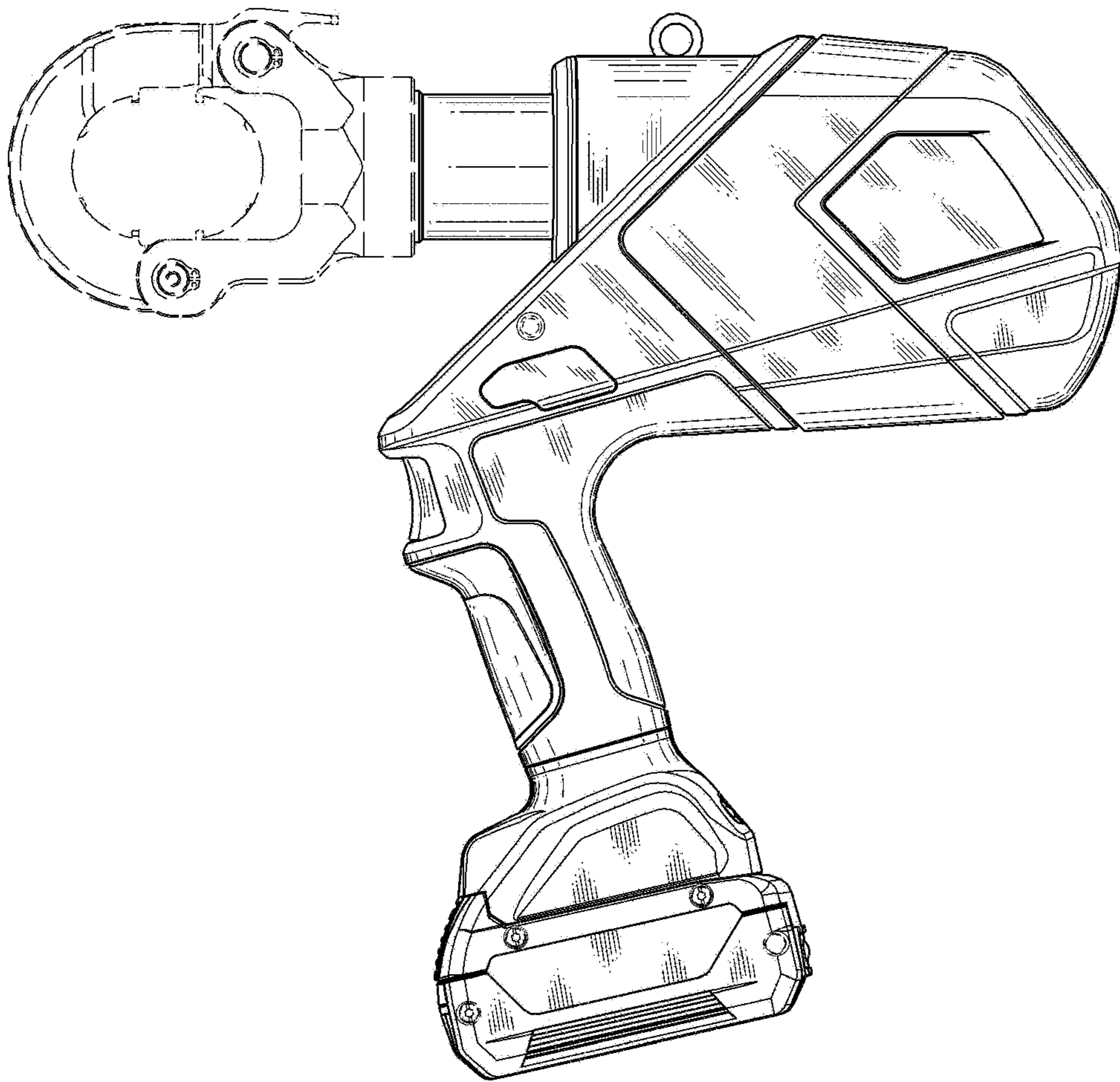
***Fig. 1***



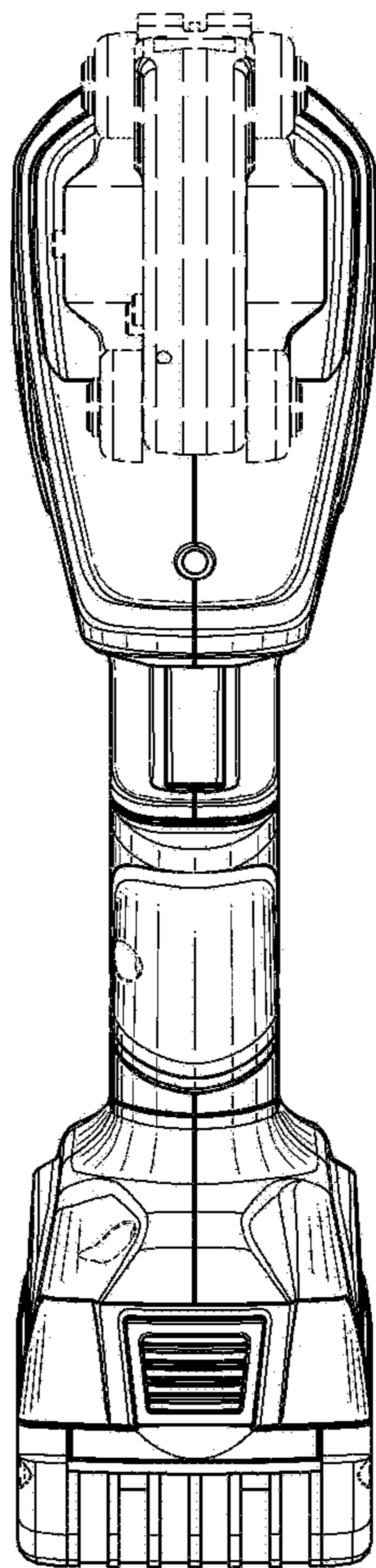
***Fig. 2***



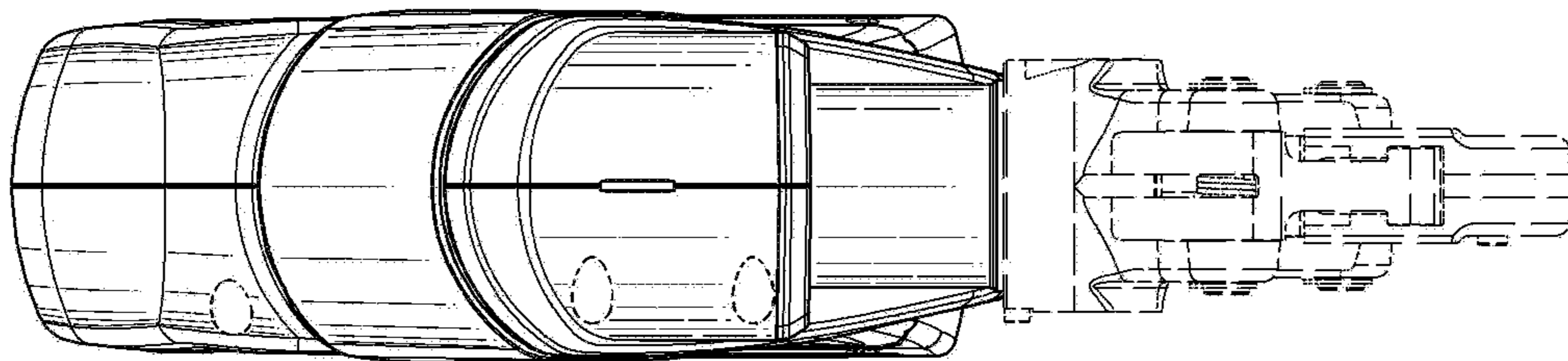
***Fig. 3***



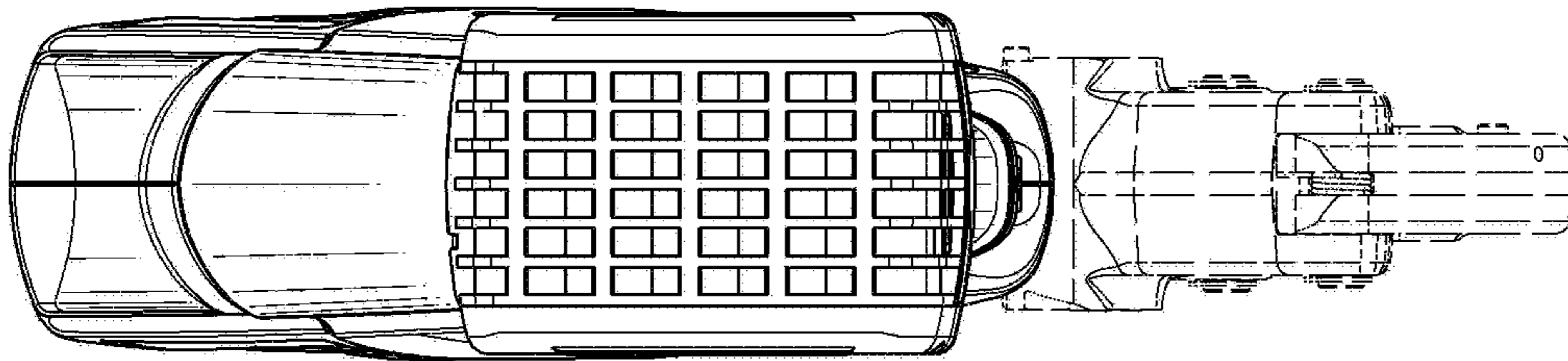
***Fig. 4***



***Fig. 5***

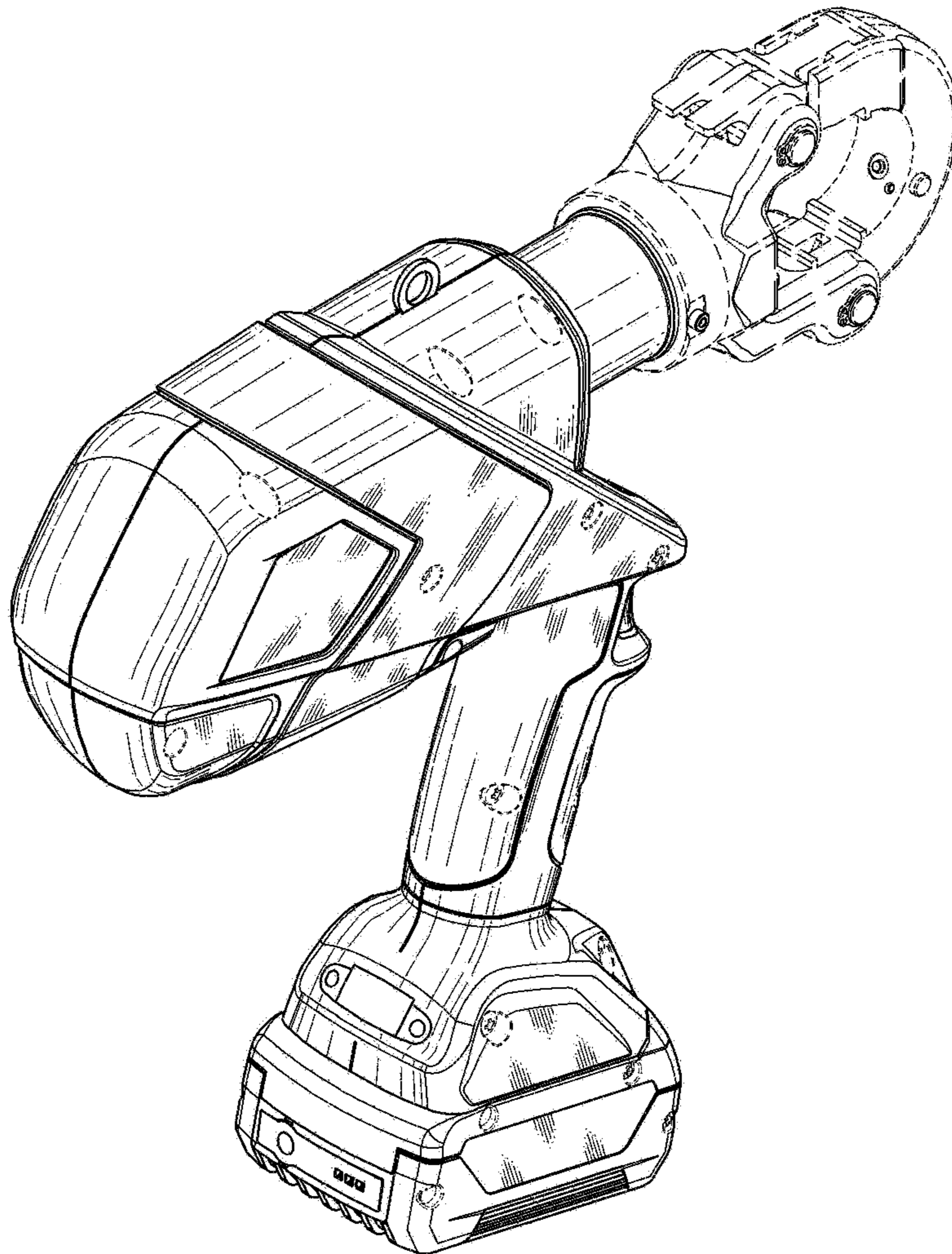


***Fig. 6***

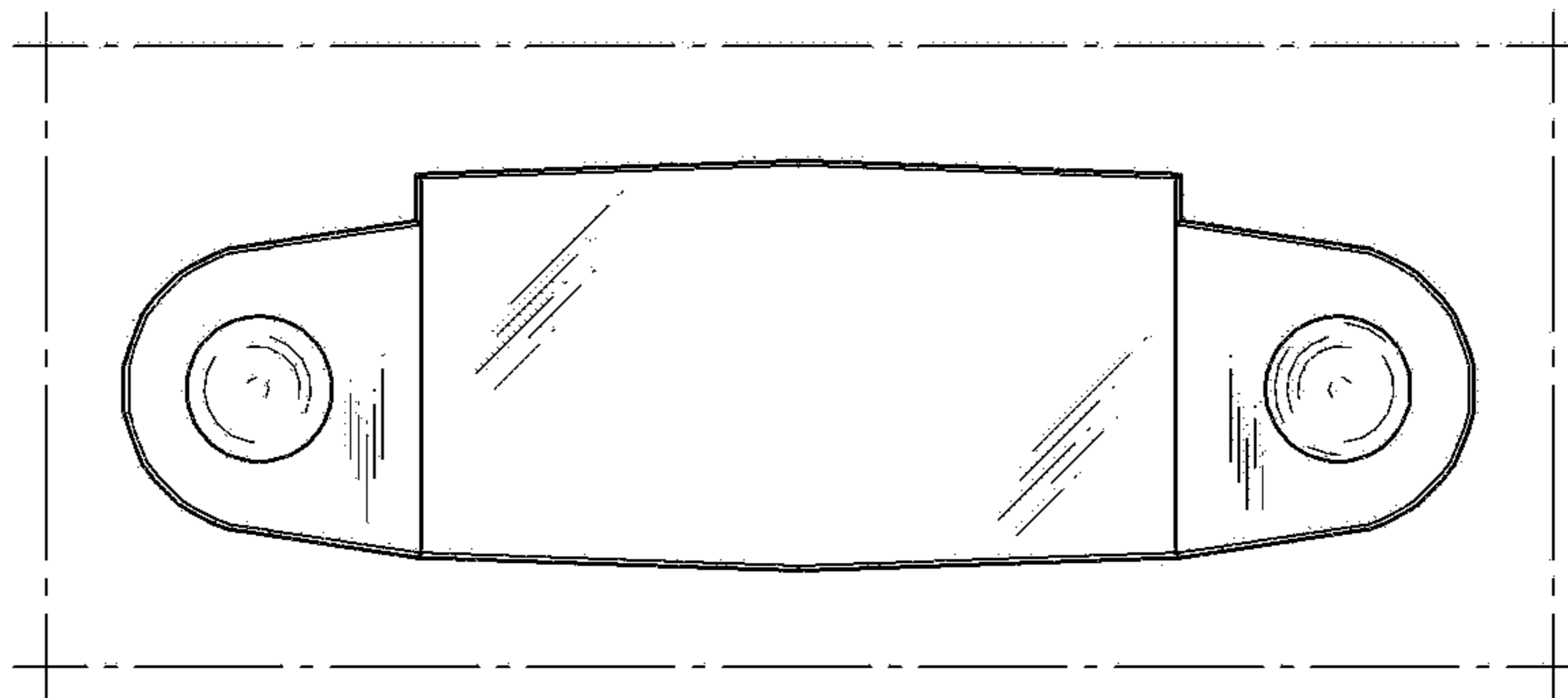




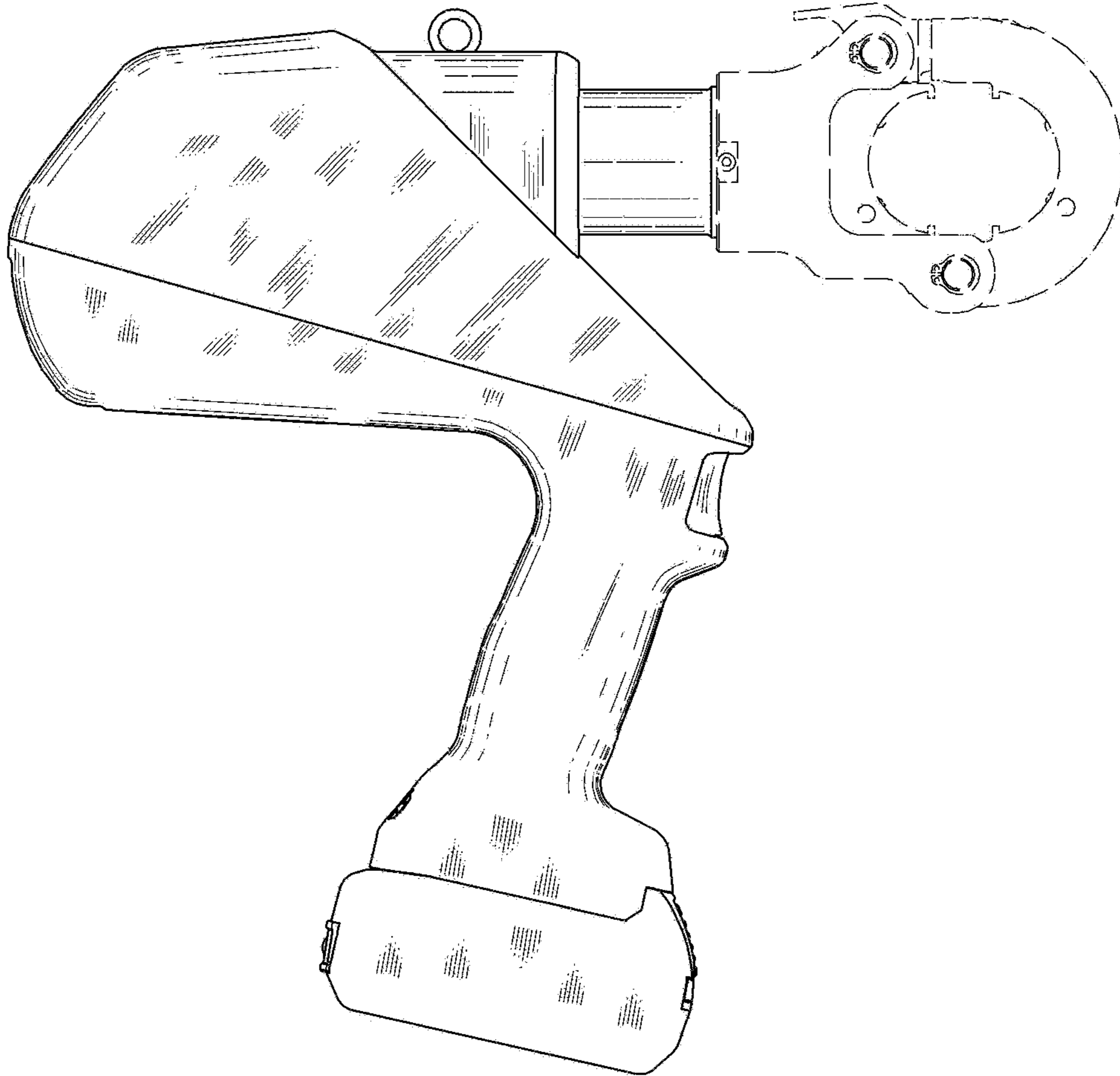
***Fig. 7***



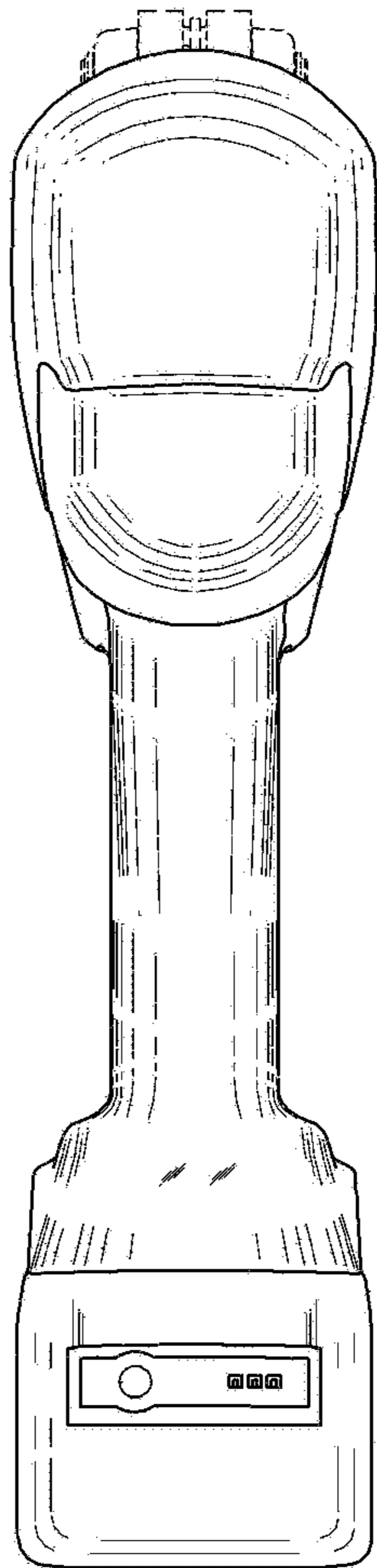
***Fig. 8***



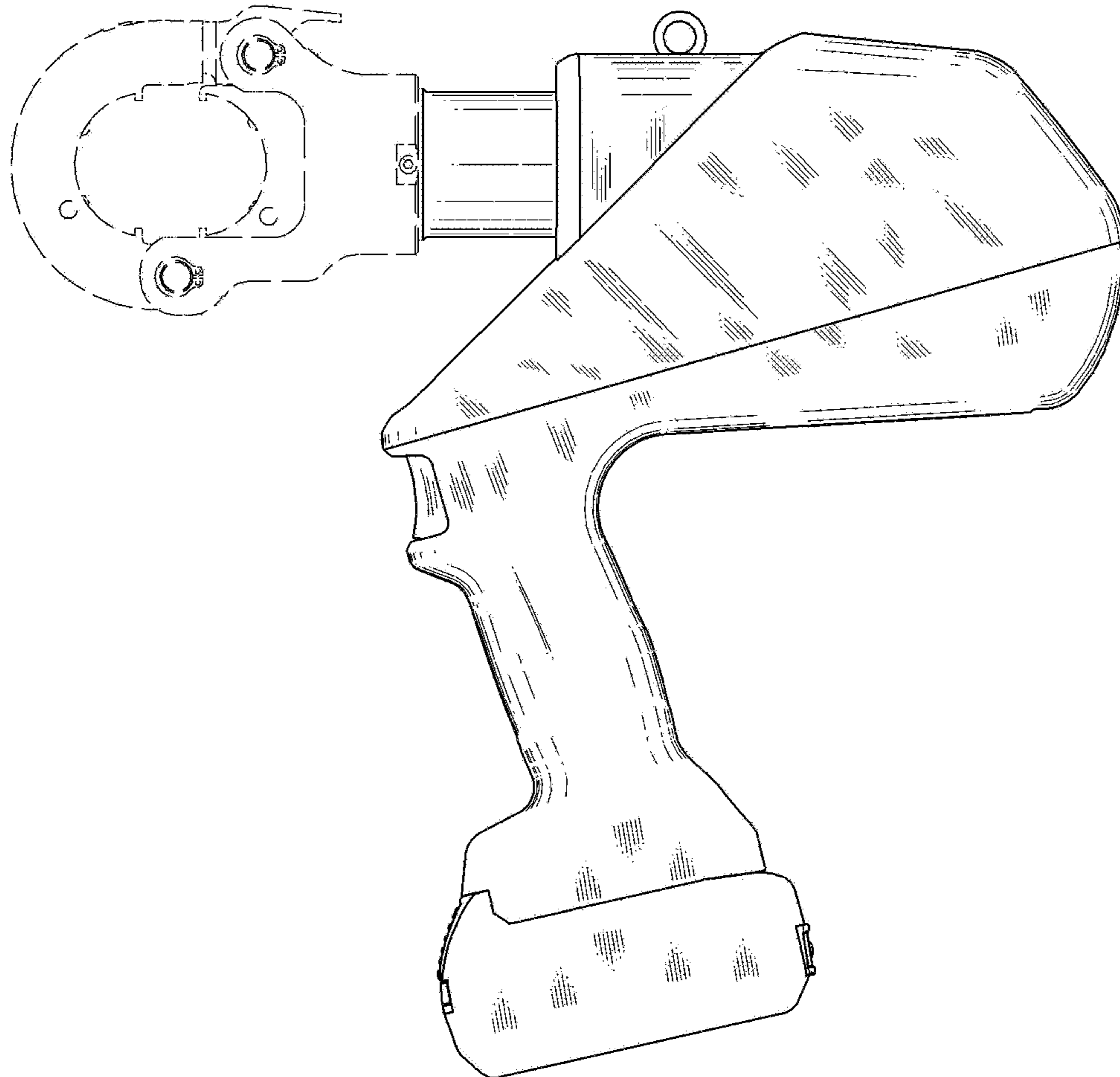
***Fig. 9***



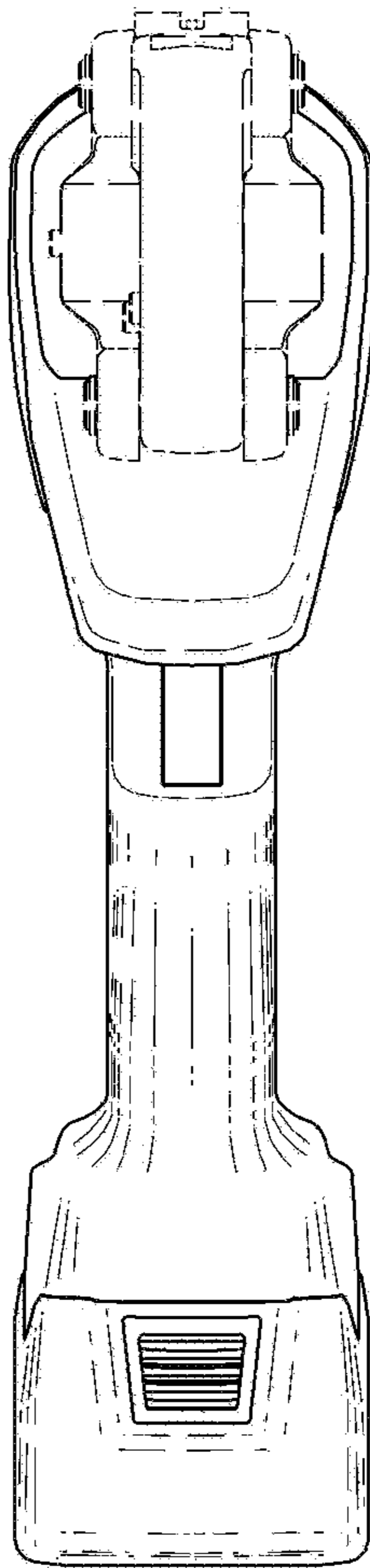
***Fig. 10***



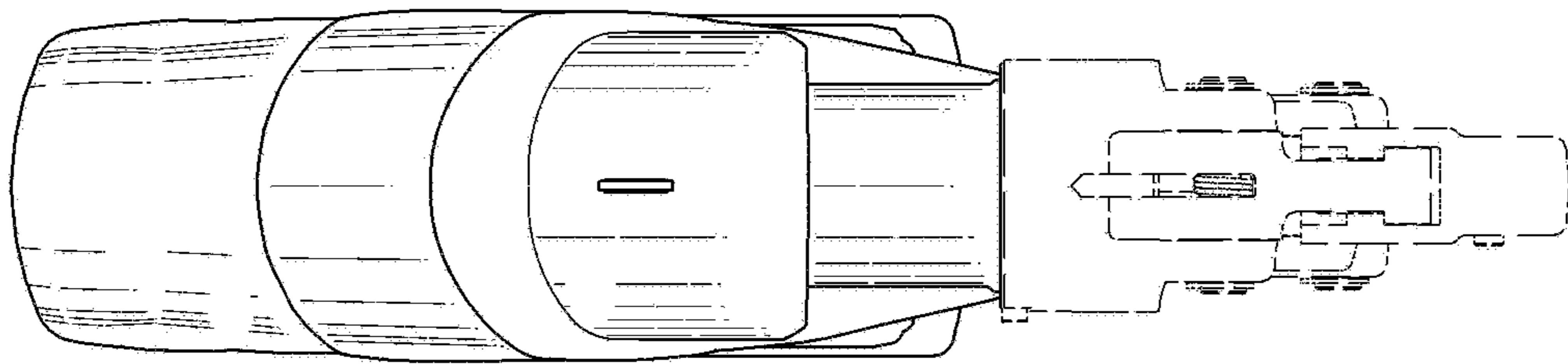
***Fig. 11***



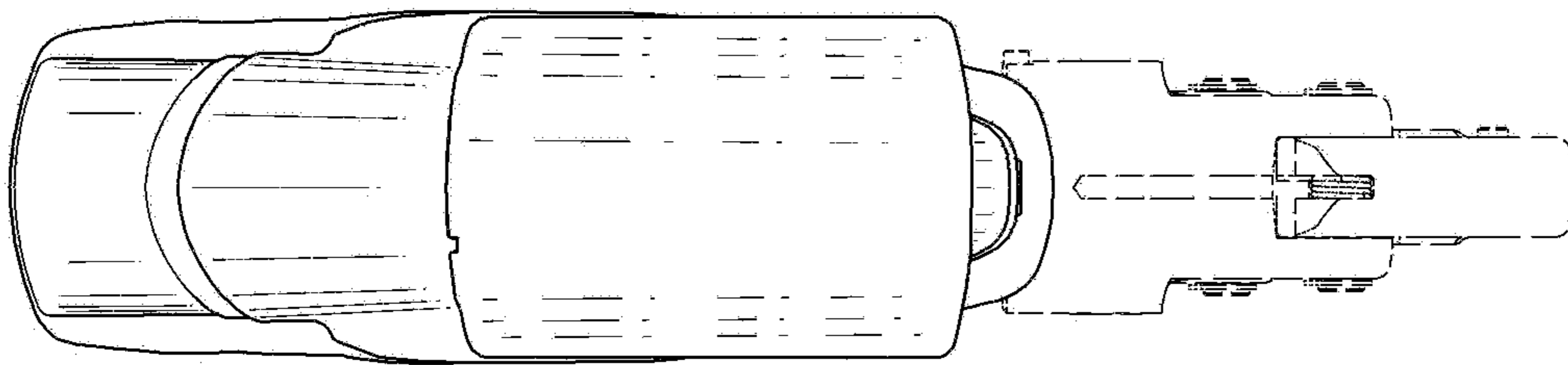
***Fig. 12***



***Fig. 13***

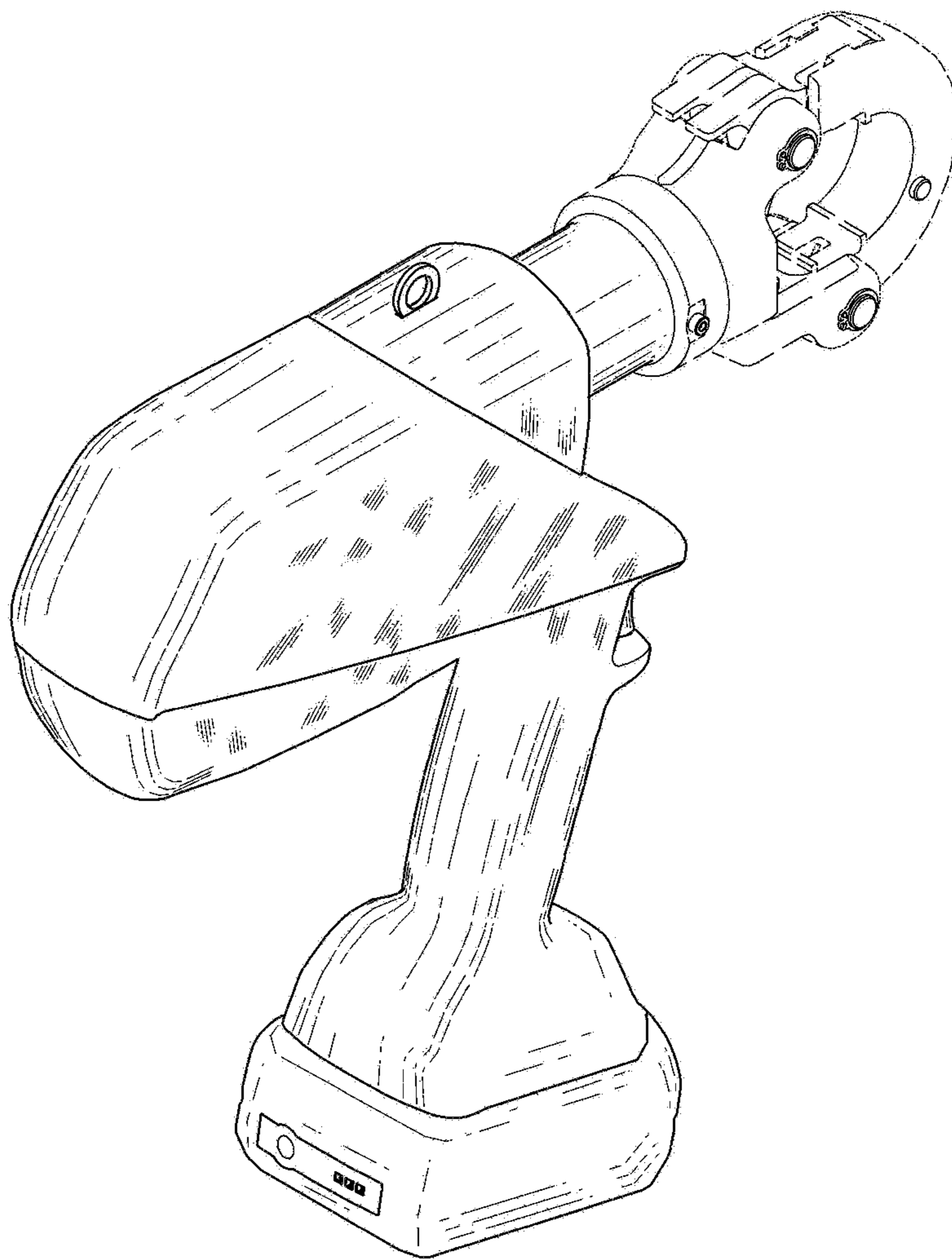


***Fig. 14***





***Fig. 15***



UNITED STATES PATENT AND TRADEMARK OFFICE  
**CERTIFICATE OF CORRECTION**

PATENT NO. : D897,174 S  
APPLICATION NO. : 29/666919  
DATED : September 29, 2020  
INVENTOR(S) : Christoph Könnecke et al.

Page 1 of 2

It is certified that error appears in the above-identified patent and that said Letters Patent is hereby corrected as shown below:

On the Title Page

Please replace the Title Page with the attached Title Page showing the corrected number of Drawing Sheets.


In the Description, the text -- and -- should be added after “FIG. 7 is a perspective view of the tool of FIG. 1;”.

In the Description, the text “FIG. 8 is a front elevation view of the display on the tool of the first embodiment;” should read -- FIG. 8 is a front elevation view of the display on the tool of the first embodiment. --.

In the Description, cancel the text beginning with “FIG. 9 is a right side elevation view of the tool in accordance with a second embodiment;” and ending with “FIG. 15 is a perspective view of the tool of FIG. 9.”.

In the Drawings

“Sheets 9-15” are deleted.

Signed and Sealed this  
Nineteenth Day of September, 2023  


Katherine Kelly Vidal  
*Director of the United States Patent and Trademark Office*

(12) **United States Design Patent** (10) Patent No.: **US D897,174 S**  
**Könnecke et al.** (45) Date of Patent: **\*\* Sep. 29, 2020**

(54) **HAND-HELD POWER TOOL AND A DISPLAY ON A HAND-HELD POWER TOOL**

(71) Applicant: **GUSTAV KLAUKE GMBH**,  
 Remscheid (DE)

(72) Inventors: **Christoph Könnecke**, Frankfurt (DE);  
**Andreas Lehr**, Neuss (DE); **Egbert Frenken**, Heinsberg (DE); **Roman Bobowicz**, Remscheid (DE); **Torsten Darkow**, Wuppertal (DE); **Alexander Jochem**, Remscheid (DE); **Frank Wilsdorf**, Wermelskirchen (DE); **Jörg Gimmler**, Wipperfürth (DE)

(73) Assignee: **GUSTAV KLAUKE GMBH**,  
 Remscheid (DE)

(\*\*) Term: **15 Years**

(21) Appl. No.: **29/666,919**

(22) Filed: **Oct. 17, 2018**

**Related U.S. Application Data**

(62) Division of application No. 29/608,383, filed on Jun. 21, 2017, now Pat. No. Des. 834,908.

(30) **Foreign Application Priority Data**

Dec. 22, 2016 (EM) ..... 001455497

(51) **LOC (12) CL.** ..... **08-05**

(52) **U.S. CL.**  
 USPC ..... **D8/61**

(58) **Field of Classification Search**  
 USPC ..... D8/61, 62, 67, 69; 81/57, 57.11, 57.14,  
 81/57.26, 429, 464, 469; 173/2, 170,  
 173/176, 181  
 CPC ..... B25B 27/10; B25B 27/146; B25B 7/12;  
 B25B 7/126; B25B 27/00; B25B 28/00;  
 H01R 43/0428

See application file for complete search history.

(56) **References Cited**

U.S. PATENT DOCUMENTS

D657,220 S \* 4/2012 Isobe ..... D8/61  
 D657,221 S 4/2012 Isobe et al.  
 D673,829 S \* 1/2013 Takeshima ..... D8/61  
 (Continued)

*Primary Examiner* — Austin Murphy  
 (74) *Attorney, Agent, or Firm* — Klintworth & Rozenblat  
 IP LLP

(57) **CLAIM**

The ornamental design for a hand-held power tool and a display on a hand-held power tool, as shown and described.

**DESCRIPTION**

FIG. 1 is a right side elevation view of the tool in accordance with a first embodiment;  
 FIG. 2 is a front elevation view of the tool of FIG. 1;  
 FIG. 3 is a left side elevation view of the tool of FIG. 1;  
 FIG. 4 is a rear elevation view of the tool of FIG. 1;  
 FIG. 5 is a top plan view of the tool of FIG. 1;  
 FIG. 6 is a bottom plan view of the tool of FIG. 1;  
 FIG. 7 is a perspective view of the tool of FIG. 1;  
 FIG. 8 is a front elevation view of the display on the tool of the first embodiment;  
 FIG. 9 is a right side elevation view of the tool in accordance with a second embodiment;  
 FIG. 10 is a front elevation view of the tool of FIG. 9;  
 FIG. 11 is a left side elevation view of the tool of FIG. 9;  
 FIG. 12 is a rear elevation view of the tool of FIG. 9;  
 FIG. 13 is a top plan view of the tool of FIG. 9;  
 FIG. 14 is a bottom plan view of the tool of FIG. 9; and,  
 FIG. 15 is a perspective view of the tool of FIG. 9.  
 The elements shown in broken line in the drawings is for the purpose of showing environmental structure and forms no part of the claimed design.

**1 Claim, 8 Drawing Sheets**

