



US00D897173S

(12) **United States Design Patent**  
**Ding**

(10) **Patent No.:** **US D897,173 S**

(45) **Date of Patent:** **\*\* Sep. 29, 2020**

(54) **DIGITAL DISPLAY SOLDERING IRON**

(71) Applicant: **Chengming Ding**, Xianning (CN)

(72) Inventor: **Chengming Ding**, Xianning (CN)

(\*\*) Term: **15 Years**

(21) Appl. No.: **29/724,861**

(22) Filed: **Feb. 19, 2020**

(30) **Foreign Application Priority Data**

Sep. 5, 2019 (CN) ..... 2019 3 0487825

(51) **LOC (12) Cl.** ..... **08-05**

(52) **U.S. Cl.**  
USPC ..... **D8/30**

(58) **Field of Classification Search**  
USPC ..... D8/29.1, 29.2, 30, 60; D15/144, 144.1,  
D15/144.2

CPC ..... B23K 3/021; B23K 3/022; B23K 3/023;  
B23K 3/033; B23K 3/046; B23K 3/0338  
See application file for complete search history.

(56) **References Cited**

**U.S. PATENT DOCUMENTS**

D300,297 S \* 3/1989 Arehart ..... D8/30  
5,928,536 A \* 7/1999 Lee ..... B23K 3/033  
219/229  
6,874,671 B2 \* 4/2005 Hirano ..... B23K 3/022  
126/414  
6,989,511 B1 \* 1/2006 Tsai ..... B23K 3/0338  
219/229

9,314,863 B2 \* 4/2016 Teraoka ..... B23K 3/033  
D847,234 S \* 4/2019 Gou ..... D15/144  
D847,235 S \* 4/2019 Gou  
D862,547 S \* 10/2019 Xie ..... D15/144.2  
D865,014 S \* 10/2019 Xu ..... D15/144.2  
D879,169 S \* 3/2020 Xu ..... D15/144.2  
2006/0108345 A1 \* 5/2006 Shigekawa ..... B23K 3/0338  
219/229  
2010/0084455 A1 4/2010 Chen  
2013/0105466 A1 \* 5/2013 Teraoka ..... B23K 3/033  
219/538

\* cited by examiner

*Primary Examiner* — Philip S Hyder

(57) **CLAIM**

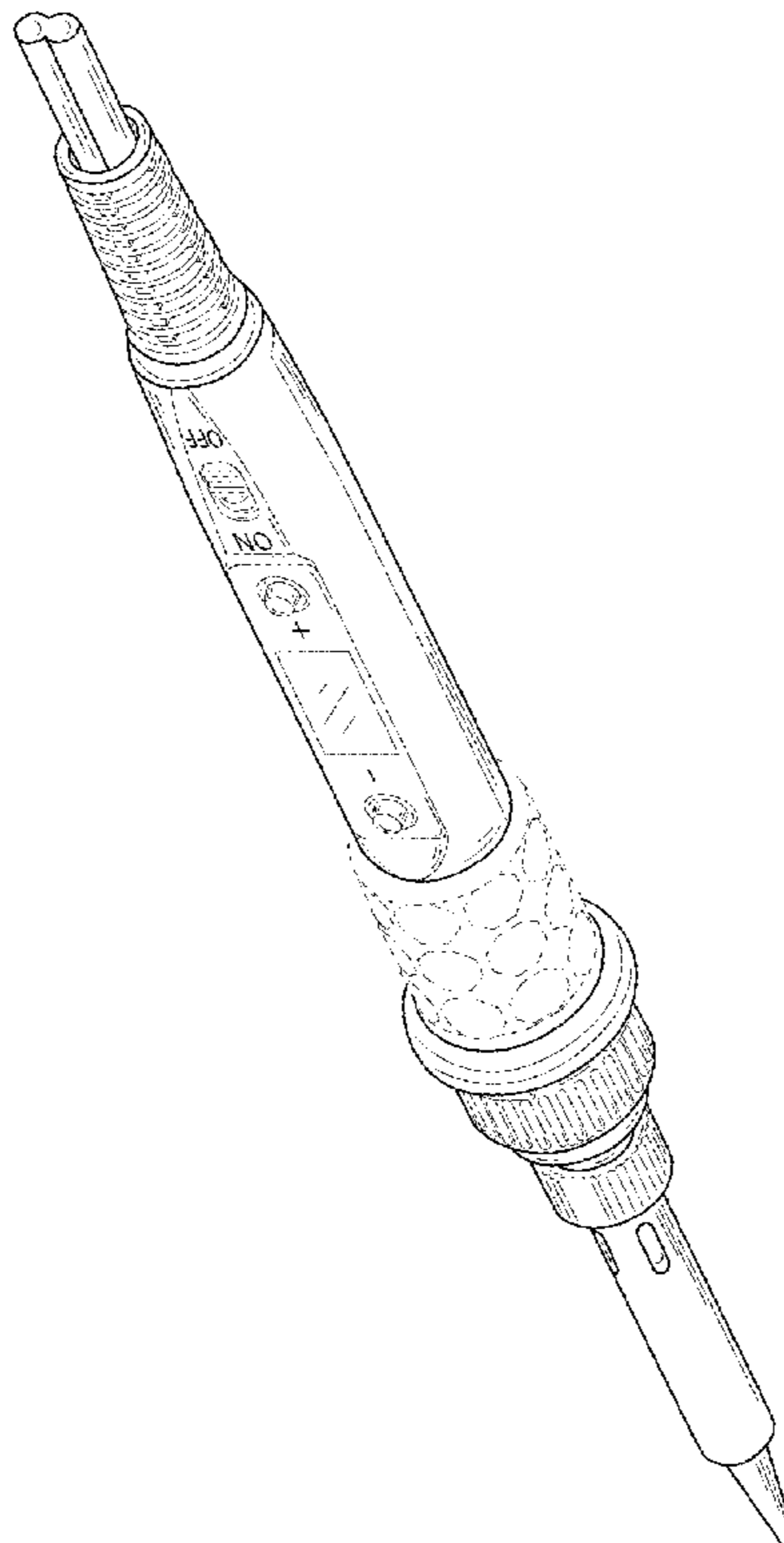
The ornamental design for a digital display soldering iron, as shown and described.

**DESCRIPTION**

FIG. 1 is a perspective view of a digital display soldering iron showing my new design;  
FIG. 2 is a right side elevational view thereof;  
FIG. 3 is a front elevational view thereof;  
FIG. 4 is a left side elevational view thereof;  
FIG. 5 is a rear elevational view thereof;  
FIG. 6 is a bottom plan view thereof; and,  
FIG. 7 is a top plan view thereof.

The broken lines in the drawing depict portions of the digital display soldering iron that form no part of the claimed design.

**1 Claim, 7 Drawing Sheets**



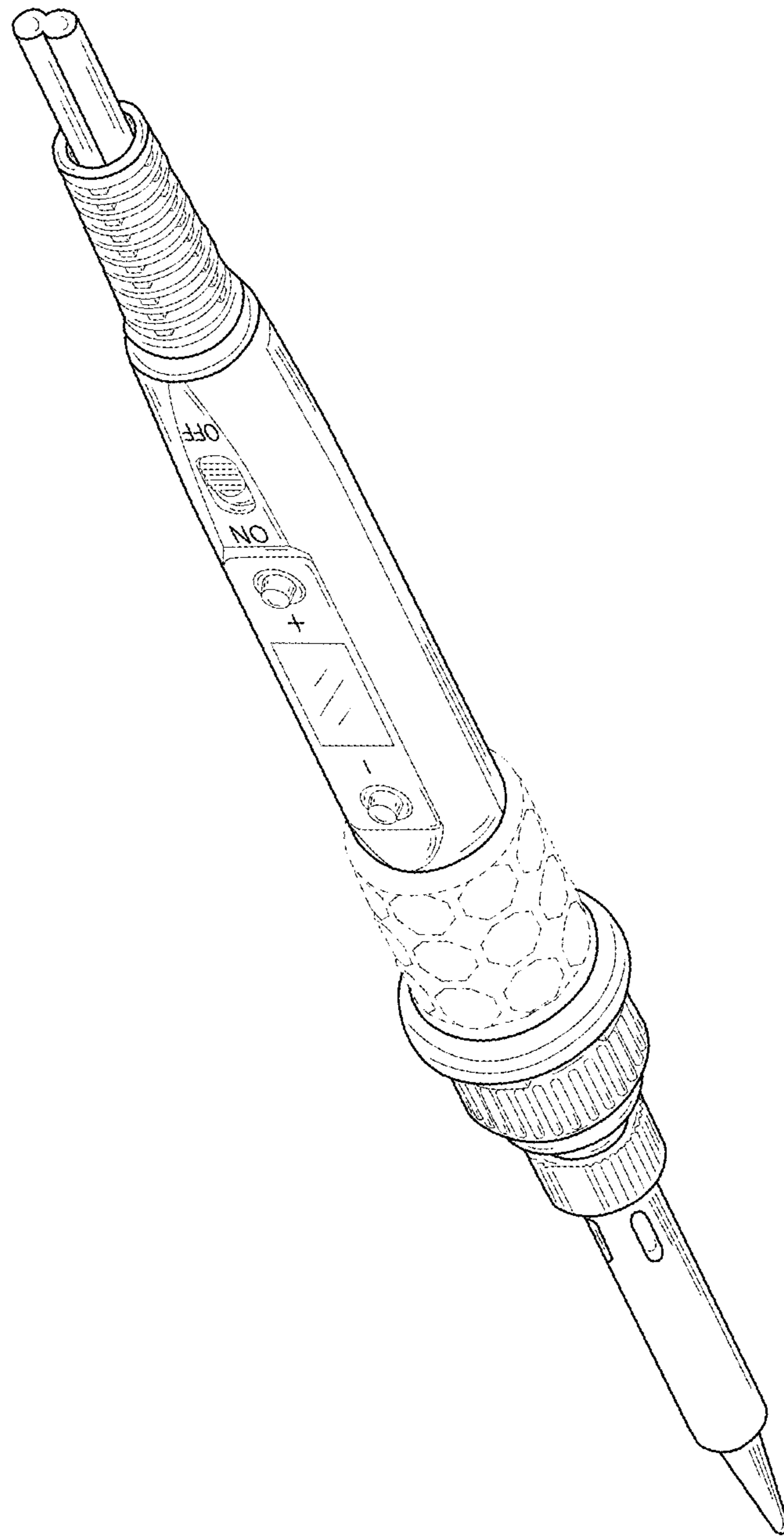


FIG. 1

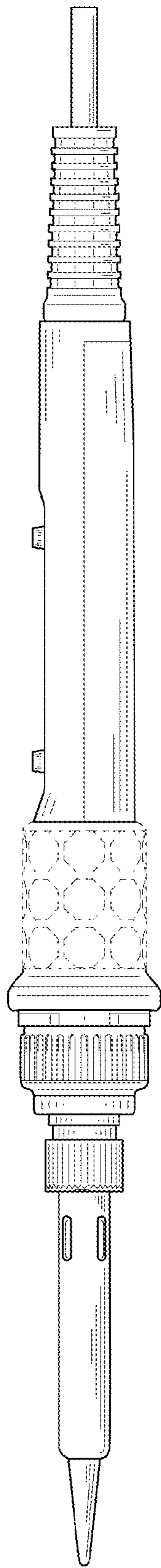


FIG. 2

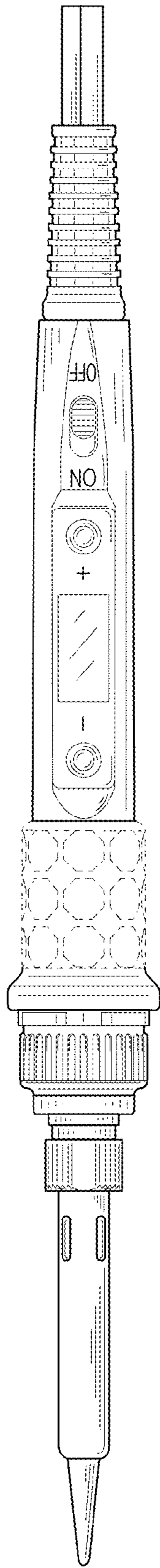


FIG. 3

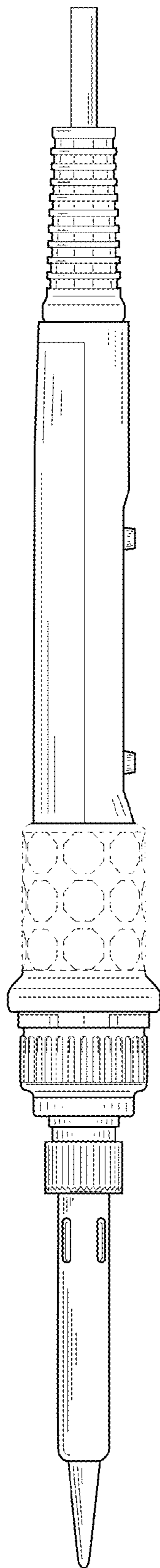


FIG. 4

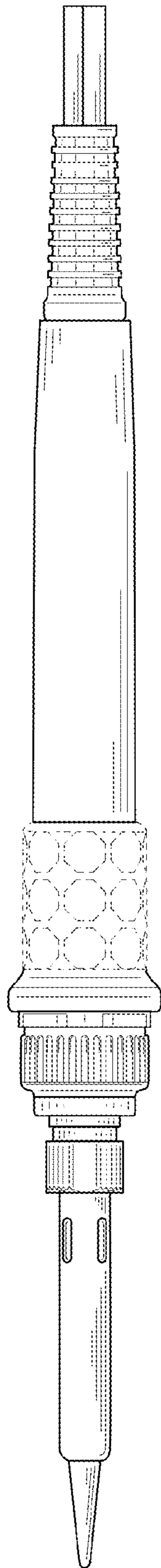


FIG. 5

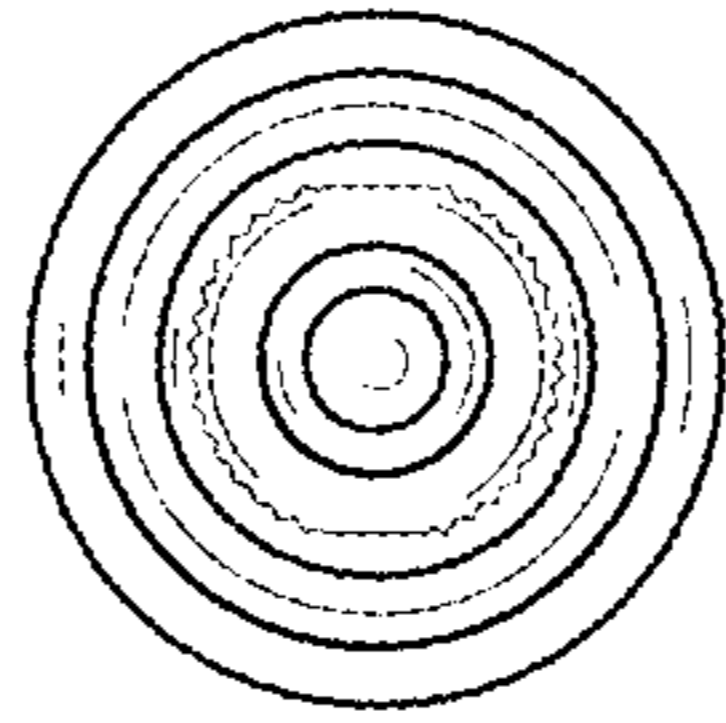


FIG. 6

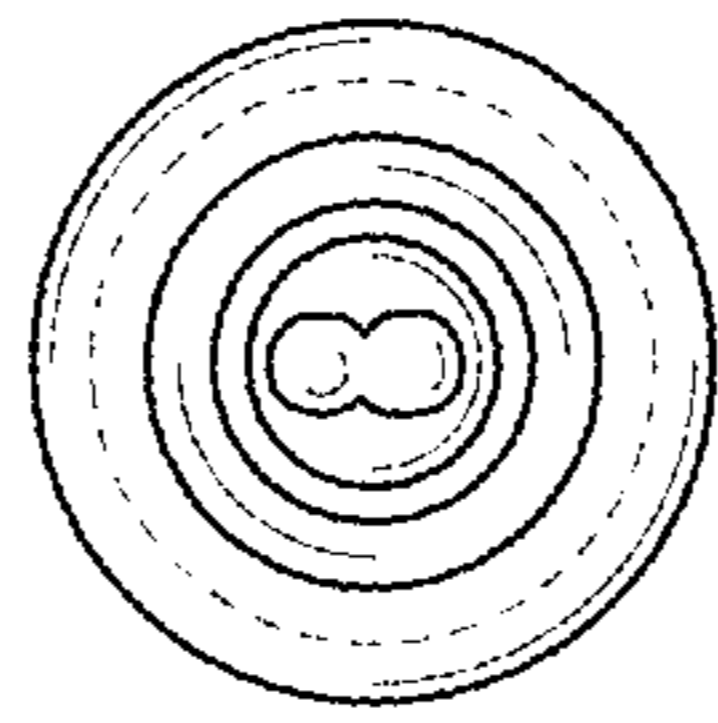


FIG. 7