



US00D897171S

(12) **United States Design Patent**
Hodson et al.

(10) **Patent No.:** **US D897,171 S**

(45) **Date of Patent:** **** Sep. 29, 2020**

(54) **CYCLING TOOL**

(71) Applicant: **OMNICO (PTY) LIMITED**, Cape Town (ZA)

(72) Inventors: **Alan Hodson**, Cape Town (ZA); **Denis Futter**, Cape Town (ZA)

(73) Assignee: **OMNICO (PTY) LIMITED**, Cape Town (ZA)

(**) Term: **15 Years**

(21) Appl. No.: **29/685,278**

(22) Filed: **Mar. 27, 2019**

(51) **LOC (12) Cl.** **08-05**

(52) **U.S. Cl.**

USPC **D8/14; D8/31**

(58) **Field of Classification Search**

USPC D8/14, 17, 21, 26, 27, 88, 89, 105

CPC B25B 13/00; B25B 13/02; B25B 13/08;

B25B 13/16; B25B 13/48; B25F 1/00

See application file for complete search history.

(56) **References Cited**

U.S. PATENT DOCUMENTS

4,477,936 A * 10/1984 Weston B25F 1/003
7/100

D277,640 S * 2/1985 Drexler D8/88

D414,995 S * 10/1999 Hsieh D8/17

D465,976 S * 11/2002 Wang D8/17

D727,123 S * 4/2015 Oas D8/31

D755,593 S * 5/2016 Henderson D8/21

D869,253 S * 12/2019 Wooters D8/17

* cited by examiner

Primary Examiner — Philip S Hyder

(74) *Attorney, Agent, or Firm* — Birch, Stewart Kolasch & Birch LLP

(57) **CLAIM**

The ornamental design for a cycling tool, as shown and described.

DESCRIPTION

FIG. 1 is a perspective top view of a cycling tool of our new design;

FIG. 2 is a perspective bottom view thereof;

FIG. 3 is a top view thereof;

FIG. 4 is a bottom view thereof;

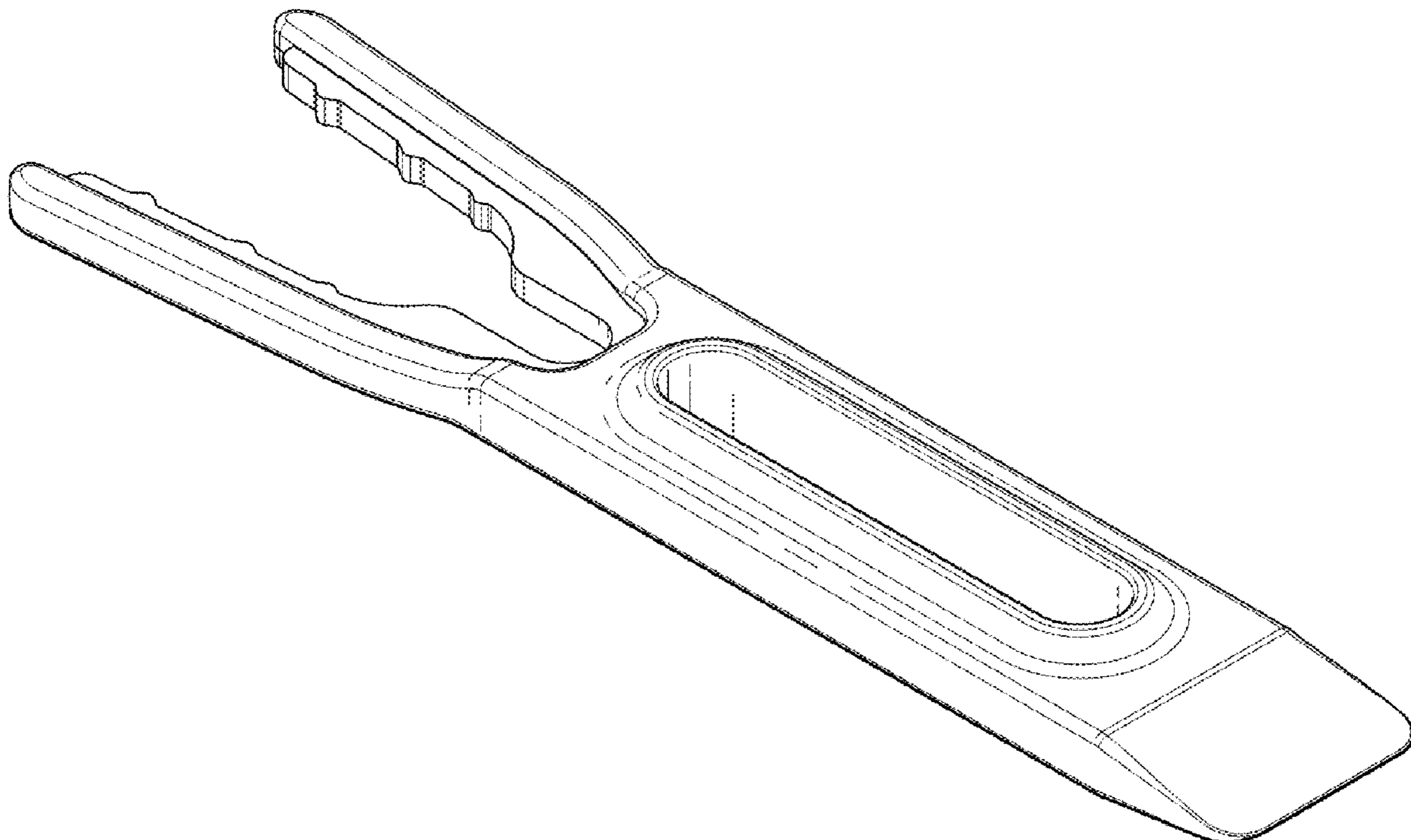
FIG. 5 is a right side view thereof;

FIG. 6 is a left side view thereof;

FIG. 7 is a front view thereof; and,

FIG. 8 is a rear view thereof.

1 Claim, 4 Drawing Sheets



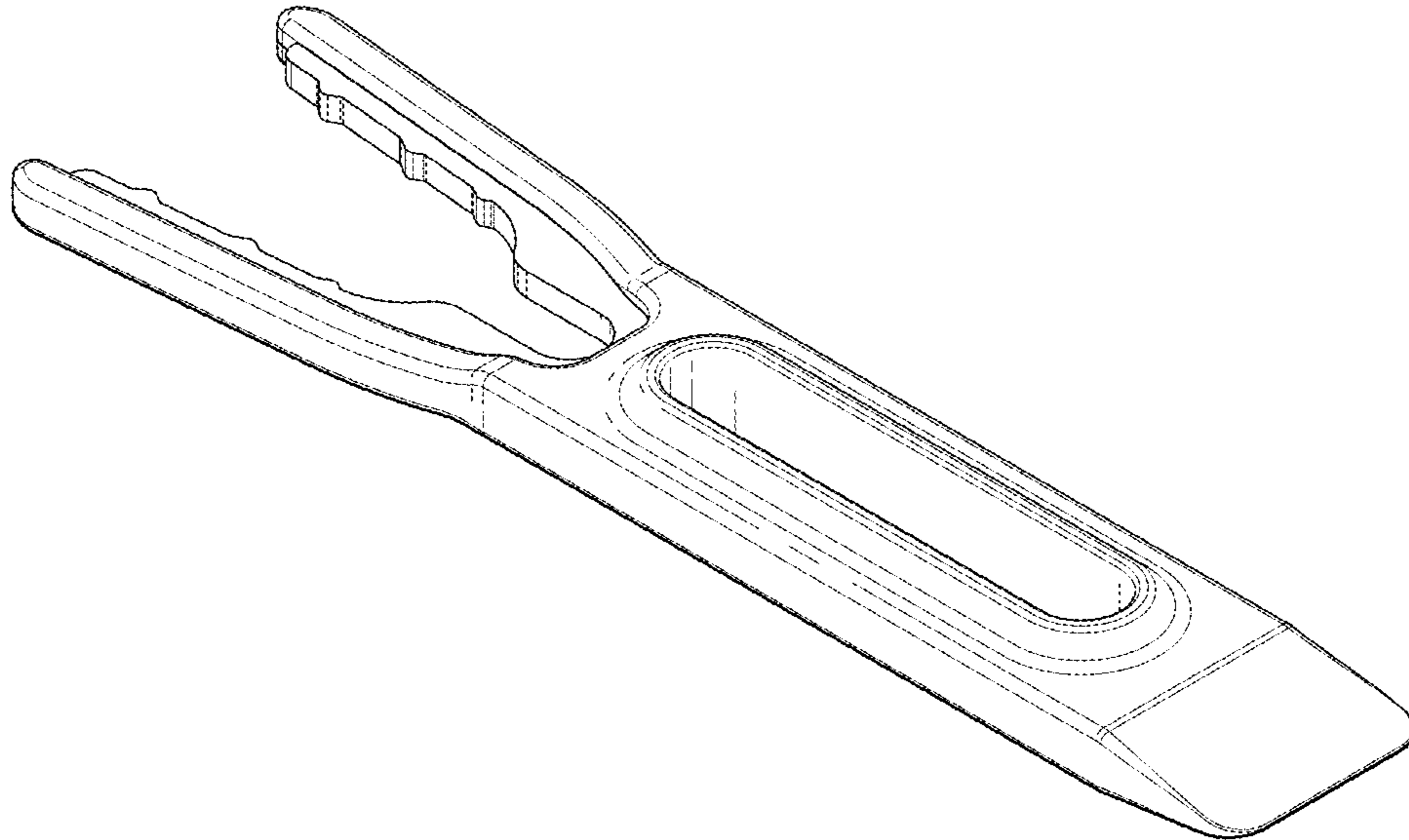


FIG. 1

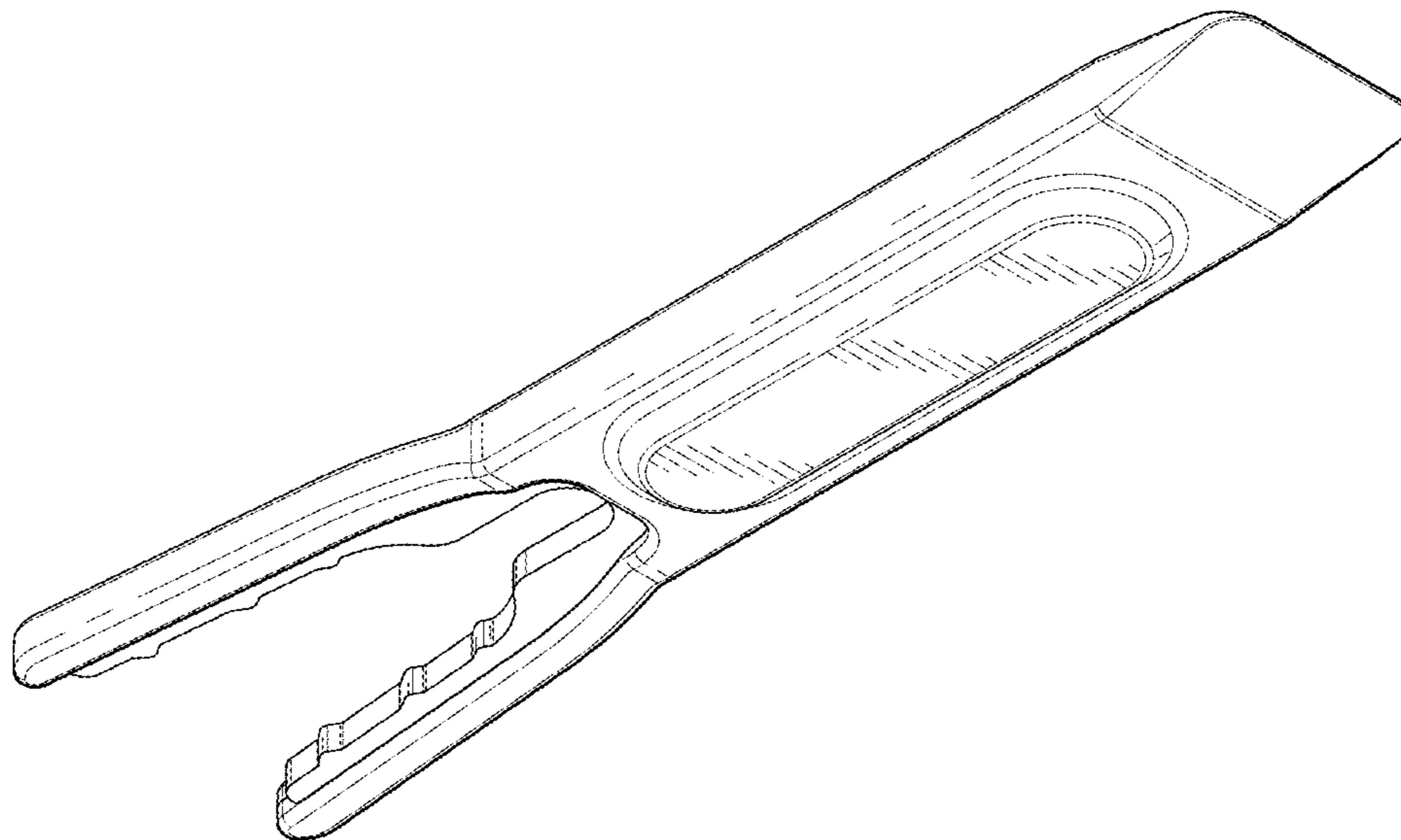


FIG. 2

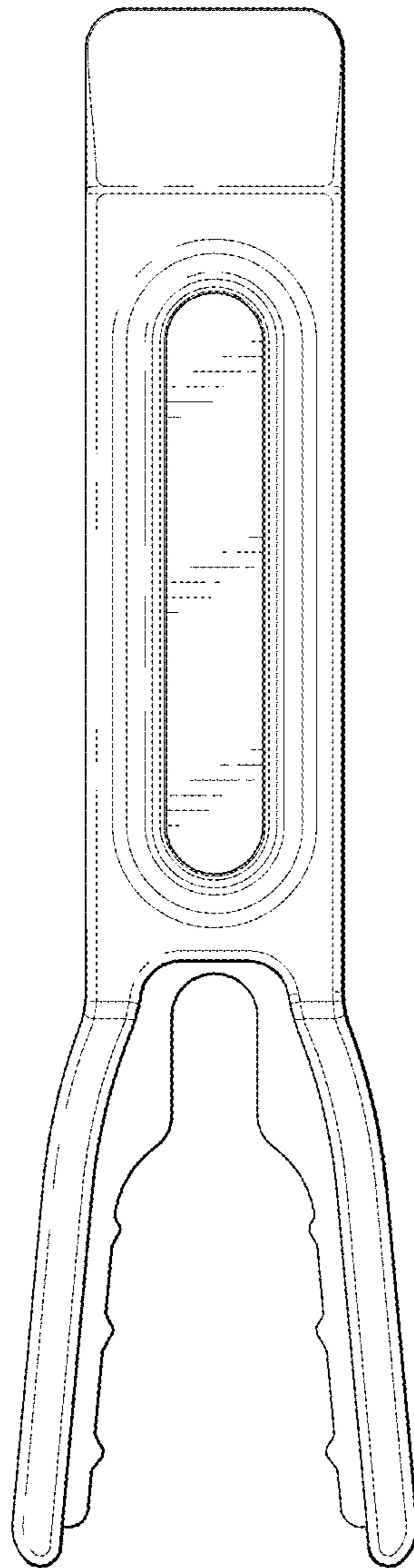


FIG. 3

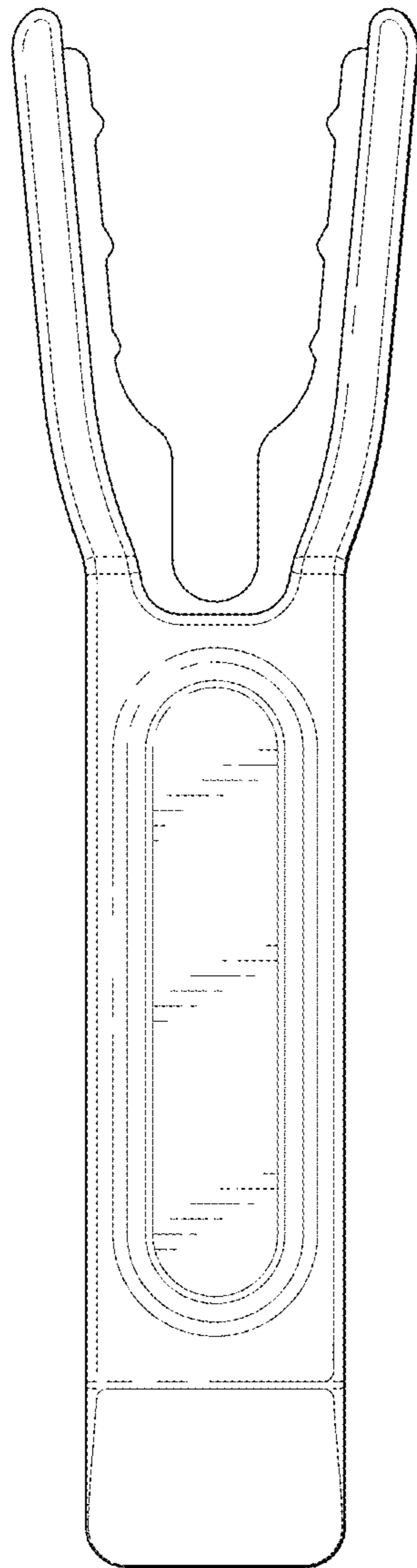


FIG. 4

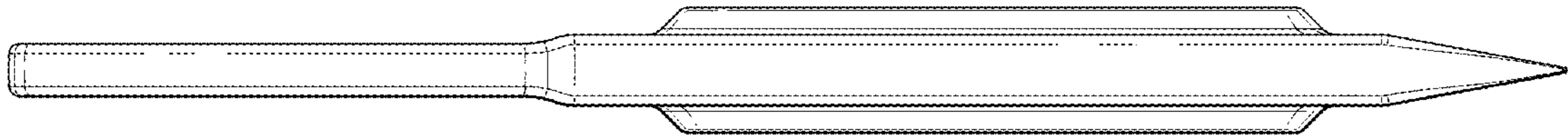


FIG. 5

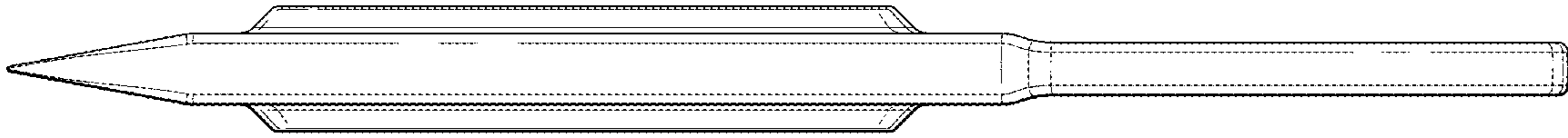


FIG. 6

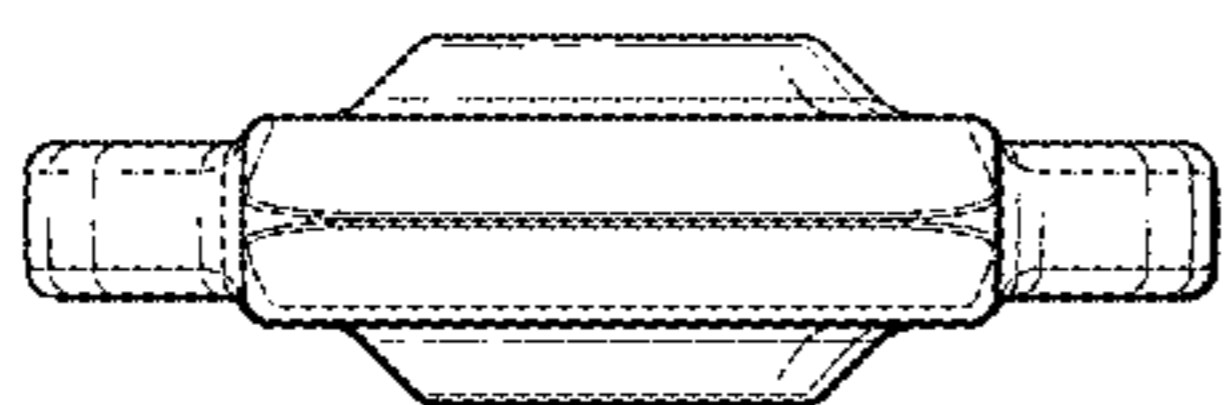


FIG. 7

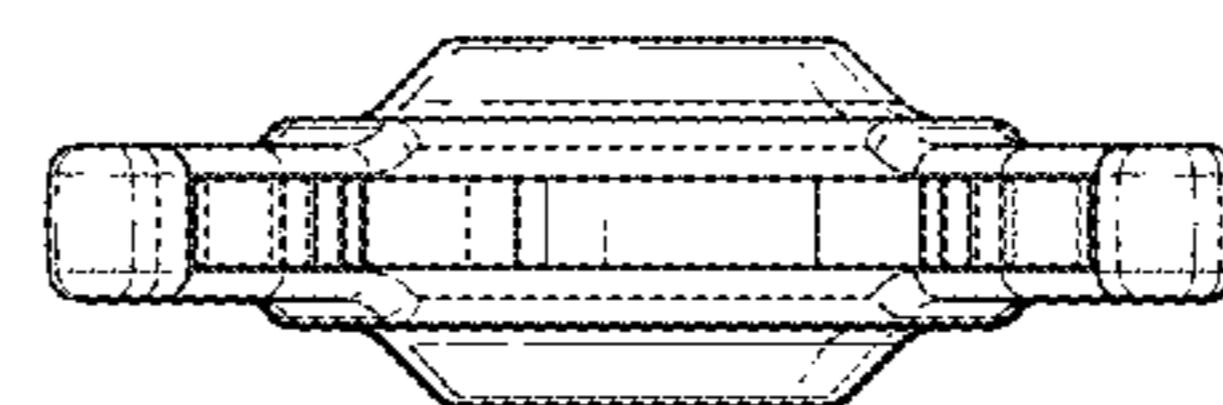


FIG. 8